



US00D572269S

(12) **United States Design Patent**
Fullerton et al.

(10) **Patent No.:** **US D572,269 S**
(45) **Date of Patent:** **** Jul. 1, 2008**

(54) **AUDIO AND IMAGE DIGITAL FILE
TRANSFER DEVICE**

(75) Inventors: **Robert Fullerton**, Morgan Hill, CA
(US); **John Haggis**, San Jose, CA (US);
Michael Shawver, Pleasanton, CA (US);
Arthur L. Cohen, Mountain View, CA
(US)

(73) Assignee: **Aerielle Technologies, Inc.**, Mountain
View, CA (US)

(**) Term: **14 Years**

(21) Appl. No.: **29/284,751**

(22) Filed: **Sep. 14, 2007**

(51) **LOC (8) Cl.** **14-03**

(52) **U.S. Cl.** **D14/496**

(58) **Field of Classification Search** D14/496,
D14/401, 435, 474, 483, 217, 137, 138, 160,
D14/168; 345/156, 169, 173-179, 905; 715/727-729,
715/864; 455/11.1, 7, 73, 344-347, 93, 95;
370/342-344; 369/1, 2, 6, 12; 463/43-47;
273/148 B

See application file for complete search history.

(56) **References Cited**

U.S. PATENT DOCUMENTS

5,809,520 A * 9/1998 Edwards et al. 711/115
5,880,721 A * 3/1999 Yen 725/81
5,914,797 A * 6/1999 Yamamoto et al. 348/734
6,052,472 A * 4/2000 Lo 381/123
D500,322 S * 12/2004 Hussaini et al. D14/496
7,090,582 B2 * 8/2006 Danieli et al. 463/35

7,171,192 B2 * 1/2007 Song et al. 455/414.3
D542,807 S * 5/2007 Long et al. D14/496
D548,247 S * 8/2007 Lee D14/496
D552,592 S * 10/2007 Deguchi D14/167
D556,777 S * 12/2007 Hussaini et al. D14/496
D558,225 S * 12/2007 Gifford et al. D14/496
D559,267 S * 1/2008 Griffin et al. D14/496

* cited by examiner

Primary Examiner—Prabhakar Deshmukh

(74) *Attorney, Agent, or Firm*—Craig M. Stainbrook;
Stainbrook & Stainbrook, LLP

(57) **CLAIM**

The ornamental design for a audio and image digital file
transfer device, as shown and described.

DESCRIPTION

FIG. 1 is a perspective view of an audio/video data file trans-
fer device showing our new design;

FIG. 2 is a front elevational view thereof;

FIG. 3 is a right side elevational view thereof;

FIG. 4 is a rear elevational view thereof;

FIG. 5 is a left side elevational view thereof;

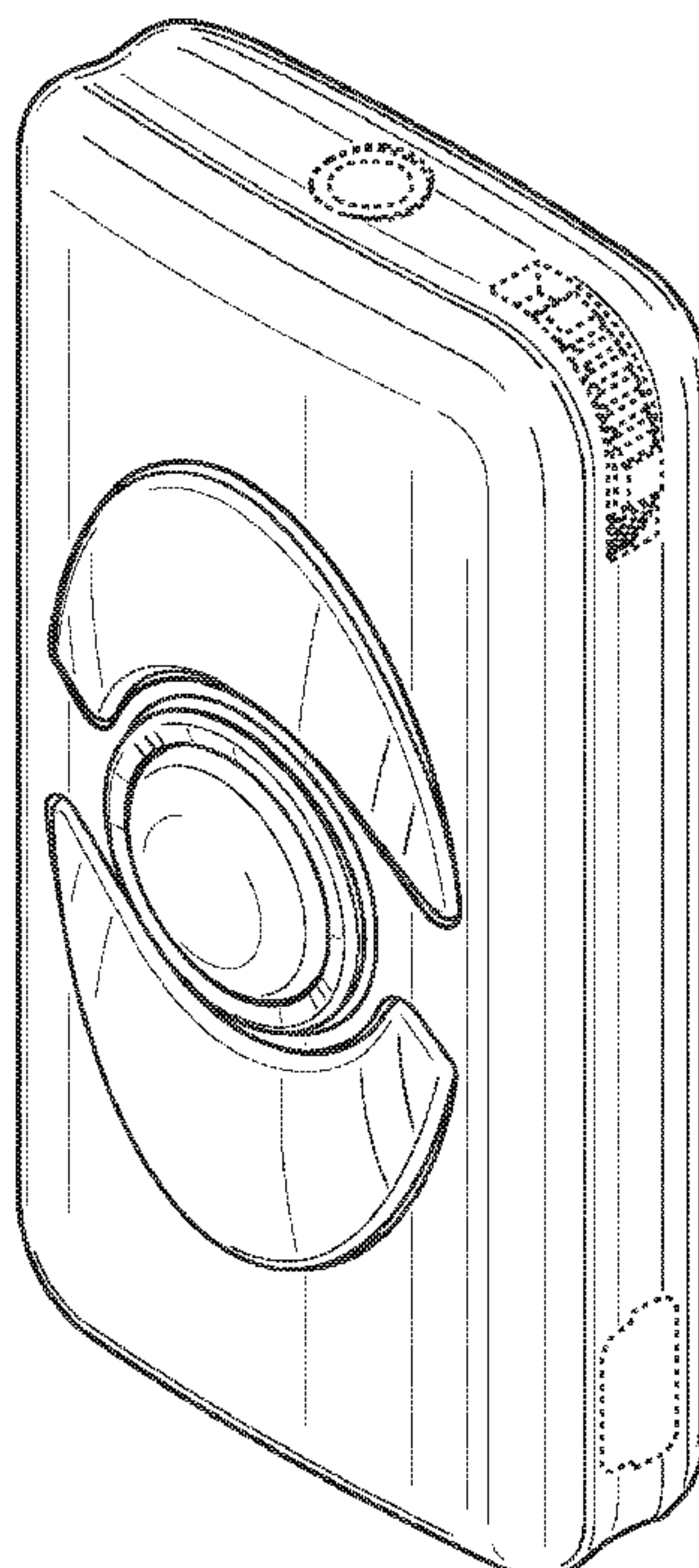
FIG. 6 is a top plan view thereof; and,

FIG. 7 is a bottom plan view thereof.

The broken lines, which define the bounds of the claimed
design form no part thereof.

The broken lines environmental are for illustrative purpose
only and form no part of the claimed design.

1 Claim, 3 Drawing Sheets



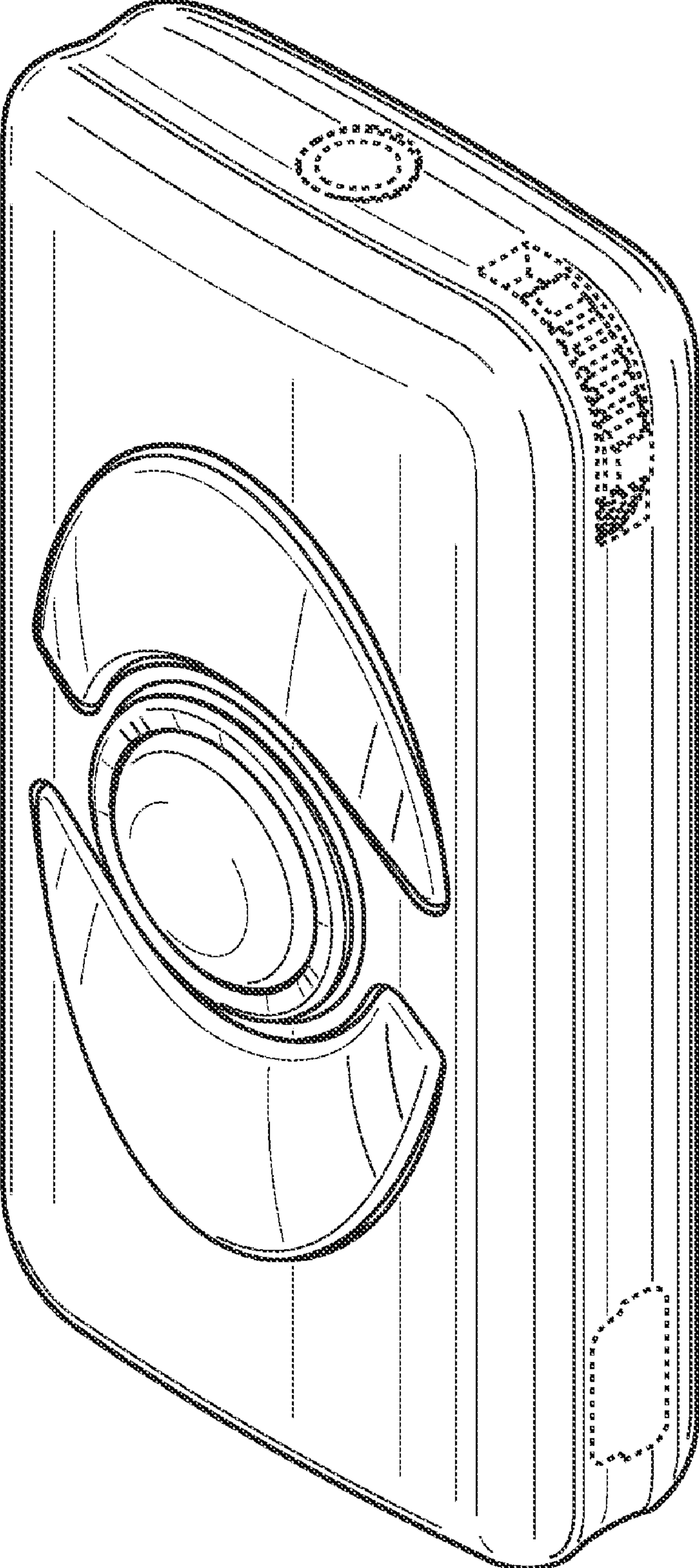


FIG. 1

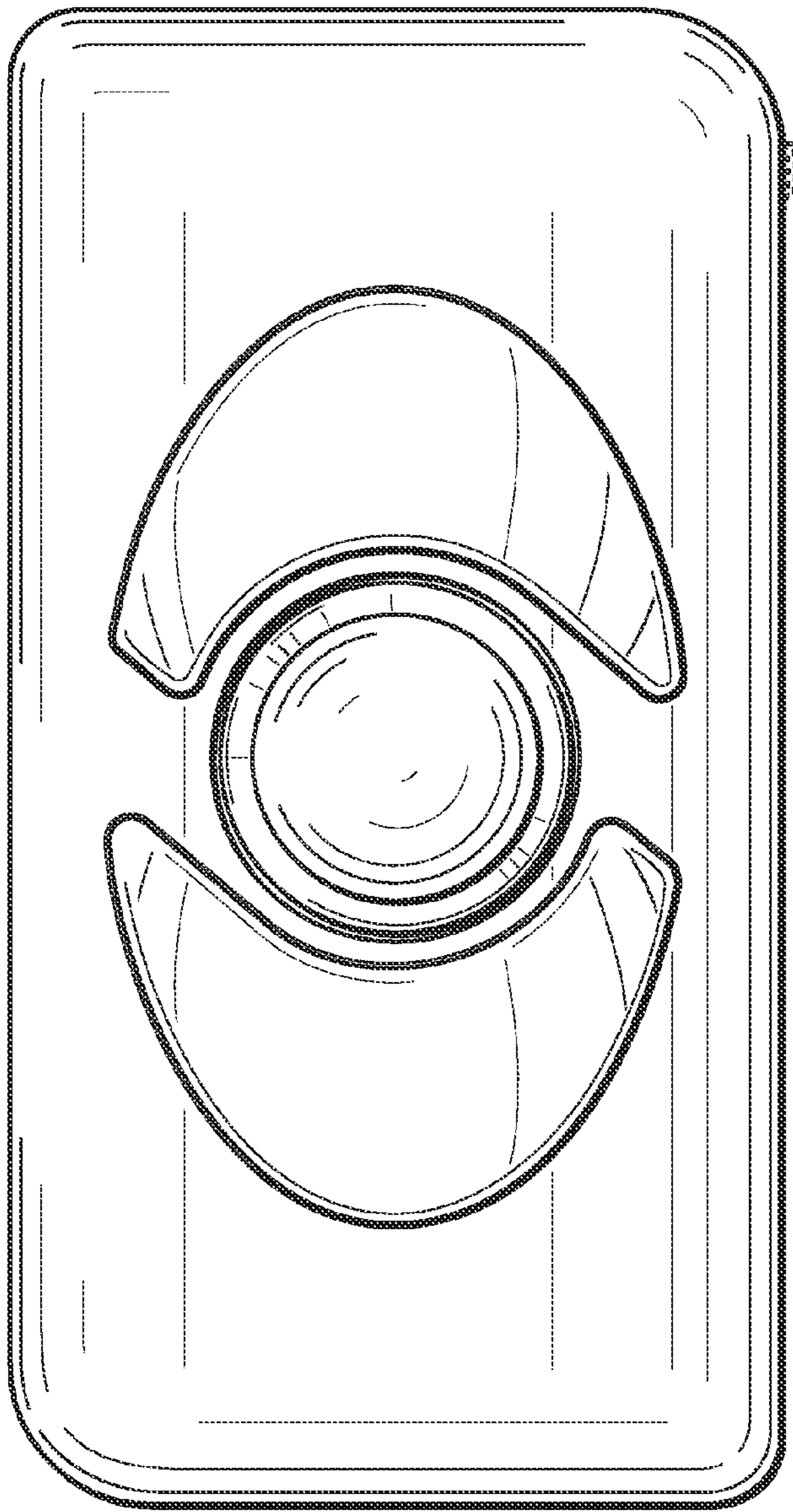


FIG. 2

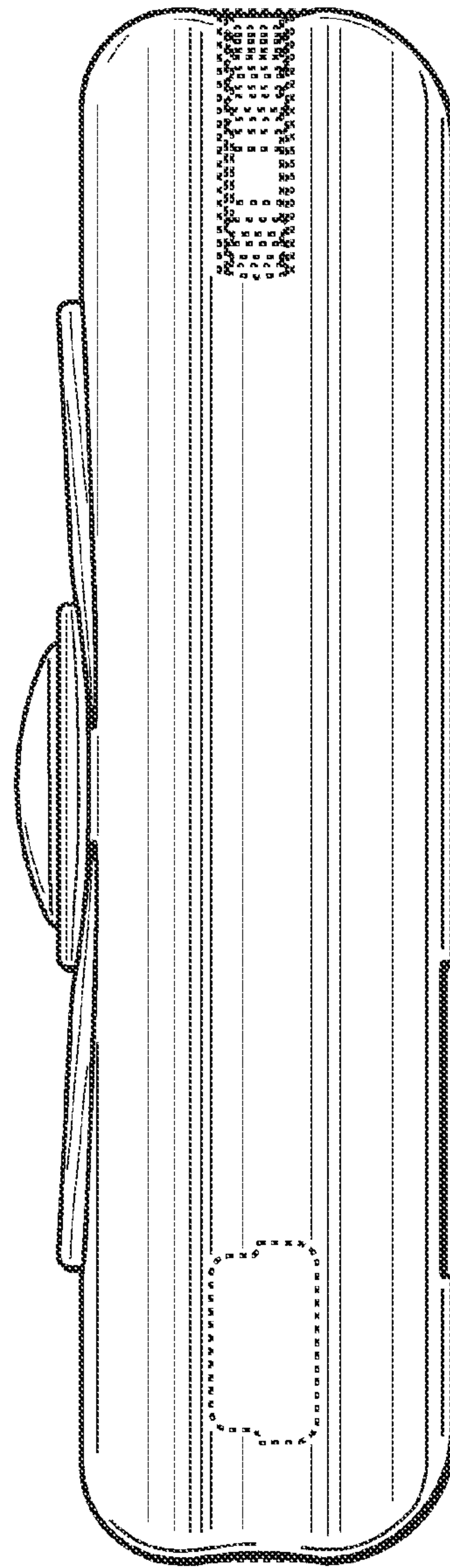


FIG. 3

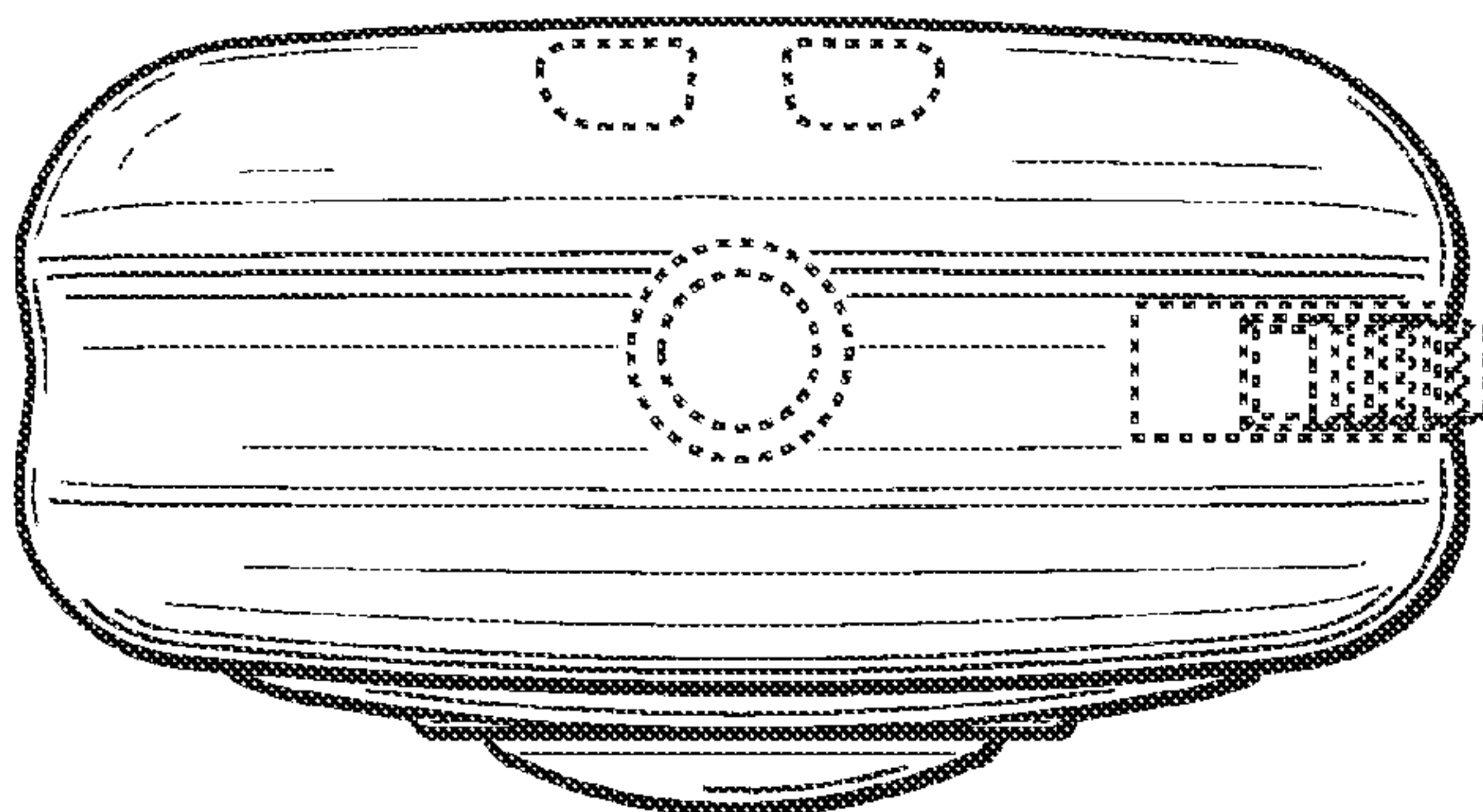


FIG. 6

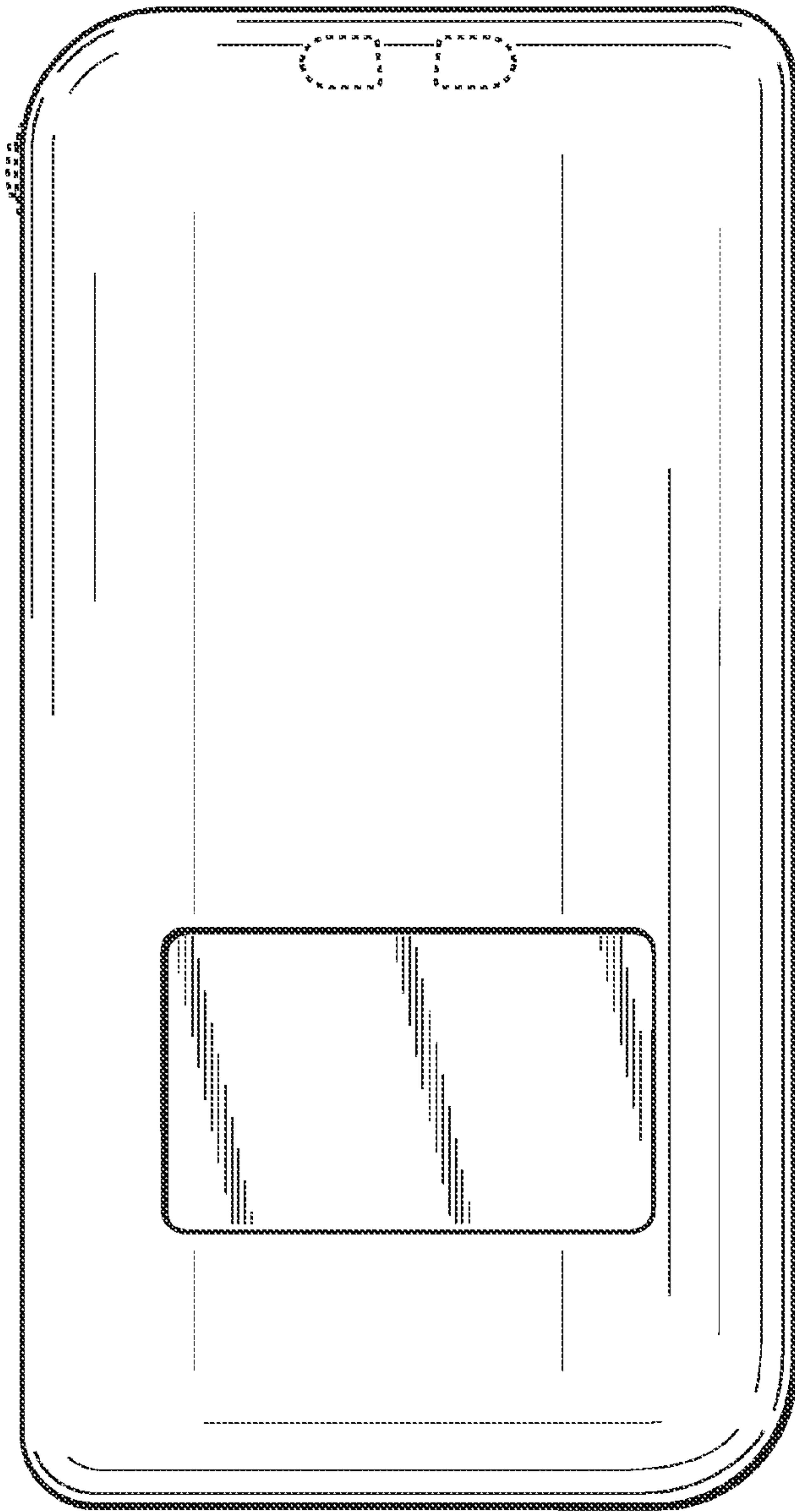


FIG. 4

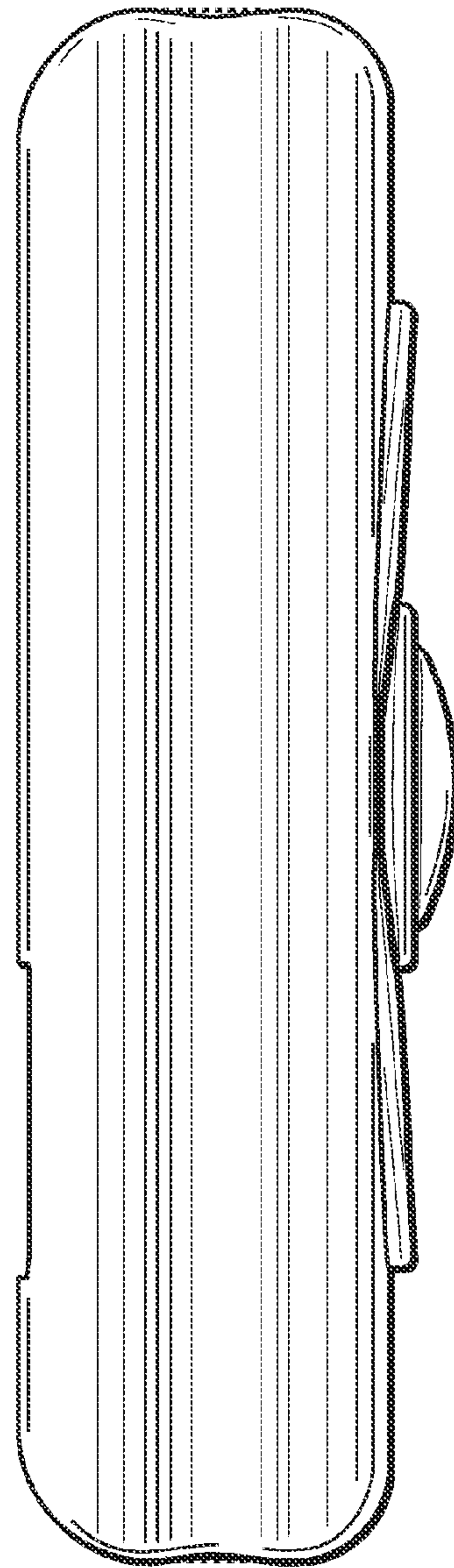


FIG. 5

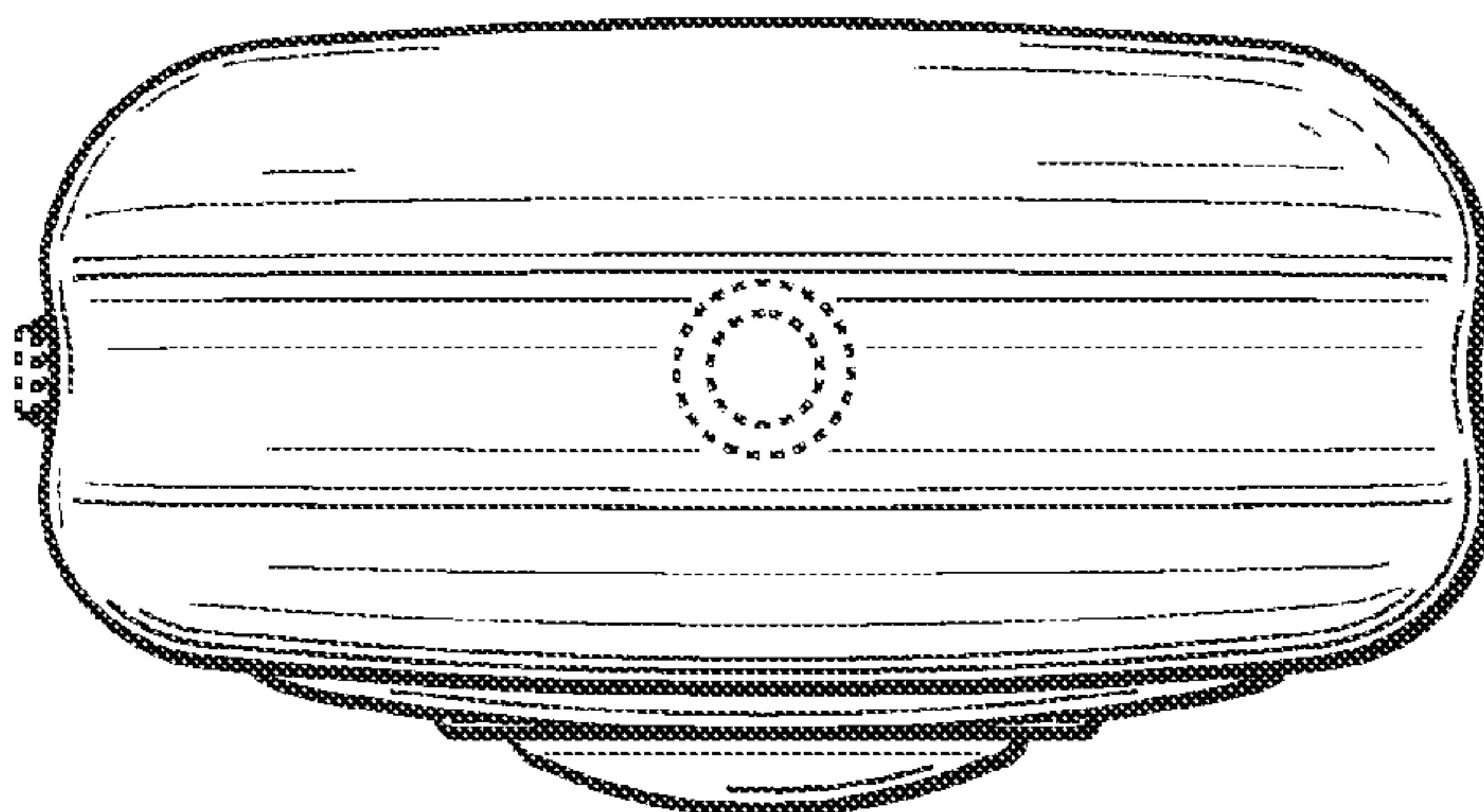


FIG. 7