



US00D572267S

(12) **United States Design Patent**
Andre et al.

(10) **Patent No.:** **US D572,267 S**
(45) **Date of Patent:** **** Jul. 1, 2008**

(54) **MEDIA DEVICE**

(75) Inventors: **Bartley K. Andre**, Menlo Park, CA (US); **Daniel J. Coster**, San Francisco, CA (US); **Daniele De Iulius**, San Francisco, CA (US); **Richard P. Howarth**, San Francisco, CA (US); **Jonathan P. Ive**, San Francisco, CA (US); **Steve Jobs**, Palo Alto, CA (US); **Duncan Robert Kerr**, San Francisco, CA (US); **Shin Nishibori**, San Francisco, CA (US); **Matthew Dean Rohrbach**, San Francisco, CA (US); **Douglas B. Satzger**, Menlo Park, CA (US); **Calvin Q. Seid**, Palo Alto, CA (US); **Christopher J. Stringer**, Portola Valley, CA (US); **Eugene Antony Whang**, San Francisco, CA (US); **Rico Zorkendorfer**, San Francisco, CA (US)

(73) Assignee: **Apple Inc.**, Cupertino, CA (US)

(**) Term: **14 Years**

(21) Appl. No.: **29/283,604**

(22) Filed: **Aug. 17, 2007**

Related U.S. Application Data

(63) Continuation of application No. 29/278,280, filed on Mar. 23, 2007, now abandoned, which is a continuation of application No. 29/237,229, filed on Aug. 24, 2005, now Pat. No. Des. 541,298.

(51) **LOC (8) Cl.** **14-03**

(52) **U.S. Cl.** **D14/496**

(58) **Field of Classification Search** D14/496, D14/401, 435, 474, 483, 217, 137, 138, 160, D14/168; 345/156, 169, 173-179, 905; 715/727-729, 715/864; 455/11.1, 7, 73, 344-347, 93, 95; 370/342-344; 369/1, 2, 6, 12; 463/43-47; 273/148 B

See application file for complete search history.

(56) **References Cited**

U.S. PATENT DOCUMENTS

D264,969 S 6/1982 McGourty
(Continued)

FOREIGN PATENT DOCUMENTS

CN 3260632D 10/2002
CN 3260633D 10/2002
CN 3269799D 12/2002

(Continued)

OTHER PUBLICATIONS

U.S. Appl. No. 29/237,225, Andre et al., Media Device, filed Aug. 24, 2005.

U.S. Appl. No. 29/237,232, Andre et al., Handheld Portable Computing Device, filed Aug. 24, 2005.

Apple iPod product sheet, Mac Mall.com (on line), (c) 2005-2005, (retrieved on Aug. 25, 2007) retrieved on internet <URL:http://www.Macmall.com, 2 pages.

(Continued)

Primary Examiner—Prabhakar Deshmukh

(74) *Attorney, Agent, or Firm*—Sterne, Kessler, Goldstein & Fox P.L.L.C.

(57) **CLAIM**

We claim the ornamental design for a media device, substantially as shown and described.

DESCRIPTION

FIG. 1 is a perspective view of a media device in accordance with the present design.

FIG. 2 is a front view for the media device.

FIG. 3 is a rear view for the media device.

FIG. 4 is a bottom view for the media device.

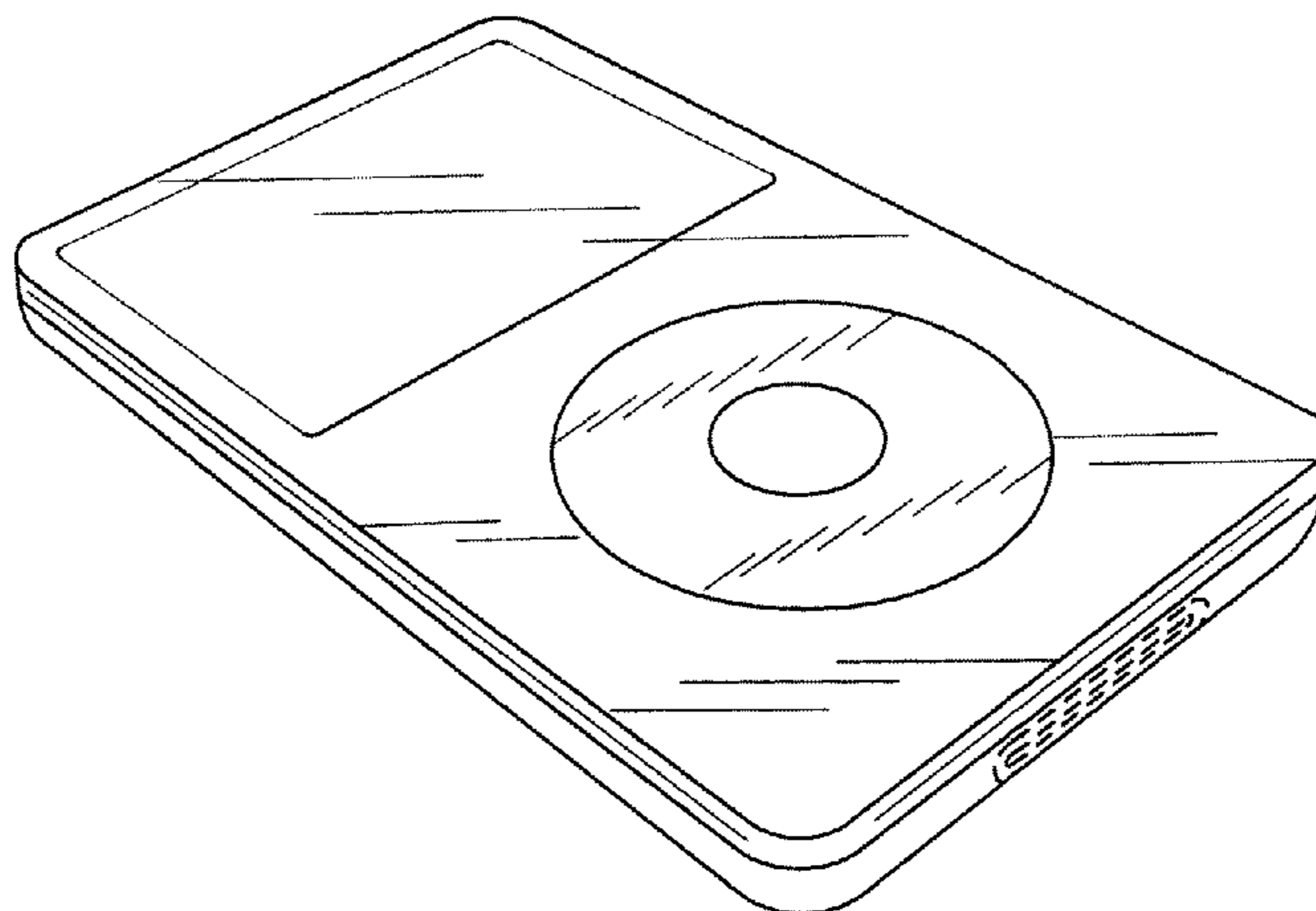
FIG. 5 is a top view for the media device.

FIG. 6 is a right side view for the media device; and,

FIG. 7 is a left side view for the media device.

The broken lines are for illustrative purpose only and form no part of the claimed design.

1 Claim, 3 Drawing Sheets



US D572,267 S

U.S. PATENT DOCUMENTS

4,976,435 A 12/1990 Shatford et al.
 5,192,082 A 3/1993 Inoue et al.
 5,661,632 A 8/1997 Register
 D412,940 S 8/1999 Kato et al.
 5,964,661 A 10/1999 Dodge
 D425,885 S 5/2000 Amron
 D430,169 S 8/2000 Scibora
 6,122,526 A 9/2000 Parulski et al.
 D432,523 S 10/2000 Grinkus et al.
 D437,860 S 2/2001 Suzuki et al.
 6,227,966 B1 5/2001 Yokoi
 6,254,477 B1 7/2001 Sasaki et al.
 6,262,785 B1 7/2001 Kim
 D448,810 S 10/2001 Goto
 D450,713 S 11/2001 Masamitsu et al.
 6,314,483 B1 11/2001 Goto et al.
 D452,250 S 12/2001 Chan
 D455,793 S 4/2002 Lin
 D468,365 S 1/2003 Bransky et al.
 D469,109 S 1/2003 Andre et al.
 D472,245 S 3/2003 Andre et al.
 D473,207 S 4/2003 Tanio
 6,591,085 B1 7/2003 Grady
 6,593,914 B1 * 7/2003 Nuovo et al. 345/169
 D483,809 S 12/2003 Lim
 D486,813 S 2/2004 Chun
 D489,052 S * 4/2004 Shiraki et al. D14/156
 D489,731 S 5/2004 Huang
 D490,068 S 5/2004 Chen
 D492,315 S 6/2004 Wang
 D492,323 S 6/2004 Wang
 D494,188 S 8/2004 Huang
 D497,618 S 10/2004 Andre et al.
 D499,423 S 12/2004 Bahroocha et al.
 D499,424 S 12/2004 Bahroocha
 D504,442 S * 4/2005 Kim D14/496
 D506,476 S 6/2005 Andre et al.
 D507,003 S 7/2005 Pai et al.
 D507,277 S 7/2005 Sitoh
 6,920,344 B2 7/2005 Jang
 D509,833 S 9/2005 Yang
 D510,937 S 10/2005 Tsai
 D511,347 S 11/2005 Naruki
 D511,529 S 11/2005 Sassano
 D512,403 S 12/2005 Yang
 6,977,675 B2 12/2005 Kotzin
 D513,512 S 1/2006 Tsai
 D514,120 S 1/2006 Chan
 D514,121 S 1/2006 Johnson
 D514,589 S 2/2006 Chen
 D515,099 S 2/2006 Lee
 D515,546 S 2/2006 Mu
 D516,576 S 3/2006 Ive et al.
 D517,088 S 3/2006 Chong et al.
 D518,290 S 4/2006 Andre et al.
 D519,523 S 4/2006 Chiu et al.
 D520,020 S 5/2006 Senda et al.
 7,046,230 B2 5/2006 Zadesky et al.
 D525,986 S 8/2006 Kim
 D538,298 S * 3/2007 Naruki D14/496
 D538,820 S 3/2007 Andre et al.
 D539,306 S * 3/2007 Naruki D14/496
 D541,297 S 4/2007 Andre et al.
 D541,298 S 4/2007 Andre et al.
 D541,299 S 4/2007 Andre et al.
 7,203,529 B2 * 4/2007 Kim et al. 455/575.1
 D542,306 S 5/2007 Andre et al.
 D542,808 S 5/2007 Andre et al.
 D548,744 S 8/2007 Andre et al.
 D548,745 S 8/2007 Andre et al.

D548,746 S 8/2007 Andre et al.
 D548,747 S 8/2007 Andre et al.
 D549,237 S 8/2007 Andre et al.
 D551,680 S 9/2007 Andre et al.
 7,281,214 B2 * 10/2007 Fadell 715/745
 2004/0224638 A1 11/2004 Fadell et al.

FOREIGN PATENT DOCUMENTS

CN 3286007D 4/2003
 CN 3287344D 4/2003
 CN 3331371D 10/2003
 CN 3339759D 12/2003
 CN 3375890D 6/2004
 CN 3380859D 7/2004
 CN 3389184D 9/2004
 CN 3389185D 9/2004
 CN 3453893D 6/2005
 CN 3453894D 6/2005
 CN 3453909D 6/2005
 CN 3468582D 8/2005
 CN 3468598D 8/2005
 CN 3480659D 10/2005
 CN 3484184D 11/2005
 CN 3490573D 12/2005
 CN 3490574D 12/2005
 CN 3509995D 3/2006
 CN 3513646D 3/2006
 CN 3518964D 4/2006
 CN 3518979D 4/2006
 CN 3534319D 6/2006
 CN 3541511D 7/2006
 CN 3543434D 7/2006
 CN 3543442D 7/2006

OTHER PUBLICATIONS

Apple iPod U2 special edition (20GB) product sheet, Selector.com (on line) (c) 1998-2004 (retrieved on Aug. 25, 2007) retrieved on internet<URL:http://www.selectmore.com, 5 pages.
 Apple iPod U2 special edition black, product sheet, Winbuyer.com (on line) retrieved on Aug. 25, 2007 retrieved on internet<URL:http://www.winbuyer.com, 4 pages.
 Black iPod Player, product sheet, Satsig.ntblack-ipod.htm (c) 2007, retrieve on internet on Aug. 8, 2007, 1 page.
 U.S. Appl. No. 29/265,520, Media Device, filed Sep. 1, 2006.
 U.S. Appl. No. 29/269,781, Electronic Device, filed Dec. 8, 2006.
 U.S. Appl. No. 29/275,487, Media Device, filed Dec. 27, 2006.
 U.S. Appl. No. 29/278,243, Media Device, filed Mar. 22, 2007.
 U.S. Appl. No. 29/278,244, Media Device, filed Mar. 22, 2007.
 U.S. Appl. No. 29/286,504, Media Device, filed May 8, 2007.
 U.S. Appl. No. 29/281,264, Handheld Portable Computing Device, filed Jun. 19, 2007.
 U.S. Appl. No. 29/288,717, Media Device, filed Jun. 20, 2007.
 U.S. Appl. No. 29/281,530, Media Device, filed Jun. 26, 2007.
 U.S. Appl. No. 29/281,763, Media Device, filed Jun. 29, 2007.
 U.S. Appl. No. 29/281,926, Media Device, filed Jul. 6, 2007.
 U.S. Appl. No. 29/284,183, Electronic Device, filed Aug. 31, 2007.
 U.S. Appl. No. 29/284,186, Electronic Device, filed Aug. 31, 2007.
 U.S. Appl. No. 29/284,189, Electronic Device, filed Aug. 31, 2007.
 U.S. Appl. No. 29/284,190, Electronic Device, filed Aug. 31, 2007.
 U.S. Appl. No. 29/284,265, Electronic Device, filed Sep. 4, 2007.
 U.S. Appl. No. 29/284,266, Electronic Device, filed Sep. 4, 2007.
 U.S. Appl. No. 29/284,267, Electronic Device, filed Sep. 4, 2007.
 U.S. Appl. No. 29/284,268, Electronic Device, filed Sep. 4, 2007.
 U.S. Appl. No. 29/284,270, Electronic Device, filed Sep. 4, 2007.
 U.S. Appl. No. 29/284,273, Electronic Device, filed Sep. 5, 2007.
 U.S. Appl. No. 29/284,274, Electronic Device, filed Sep. 5, 2007.
 U.S. Appl. No. 29/284,275, Electronic Device, filed Sep. 5, 2007.
 U.S. Appl. No. 29/284,290, Electronic Device, filed Sep. 5, 2007.
 U.S. Appl. No. 29/284,291, Electronic Device, filed Sep. 5, 2007.
 U.S. Appl. No. 29/284,320, Electronic Device, filed Sep. 5, 2007.
 U.S. Appl. No. 29/284,325, Electronic Device, filed Sep. 5, 2007.
 U.S. Appl. No. 29/284,326, Electronic Device, filed Sep. 5, 2007.

* cited by examiner

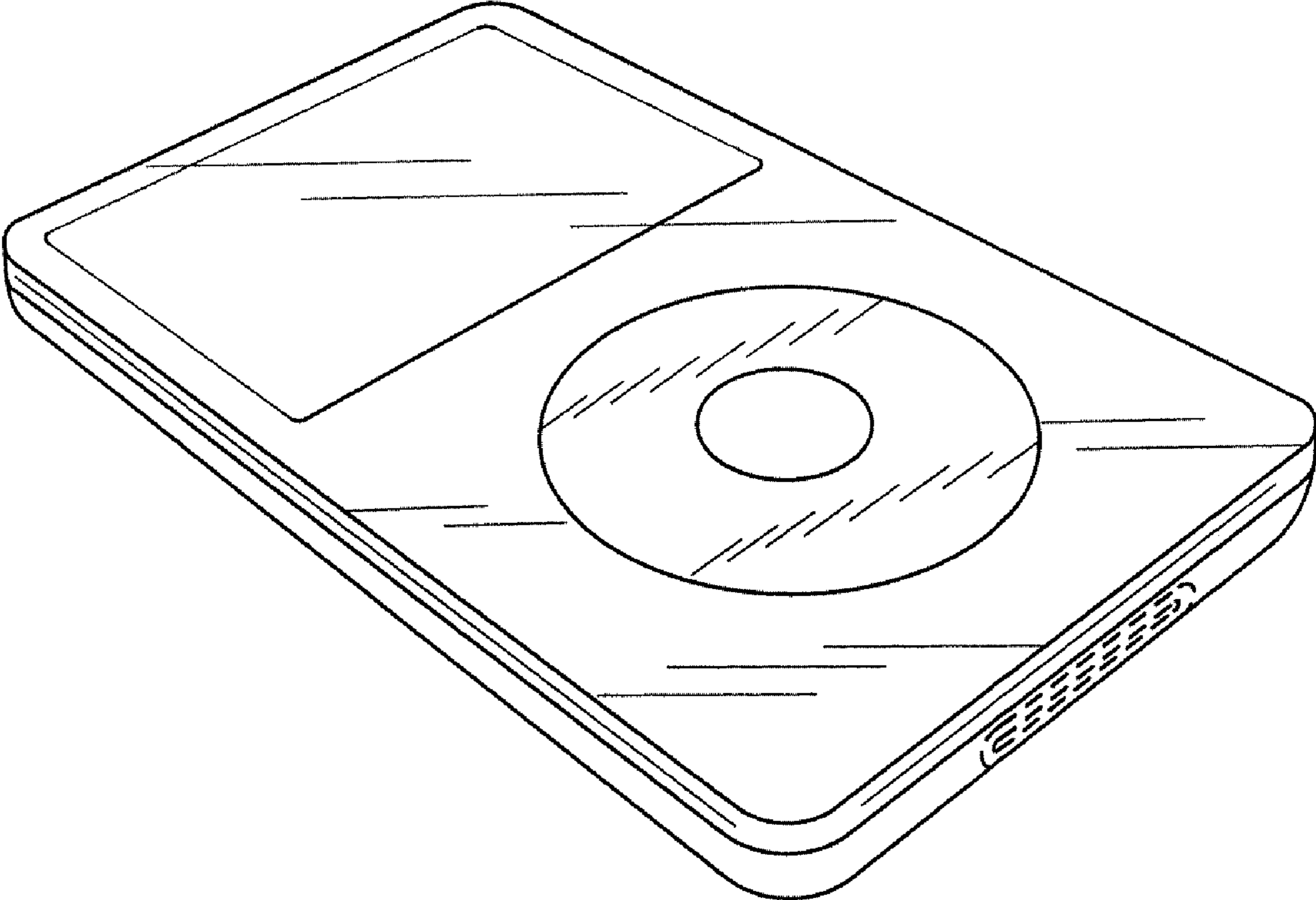


FIG. 1

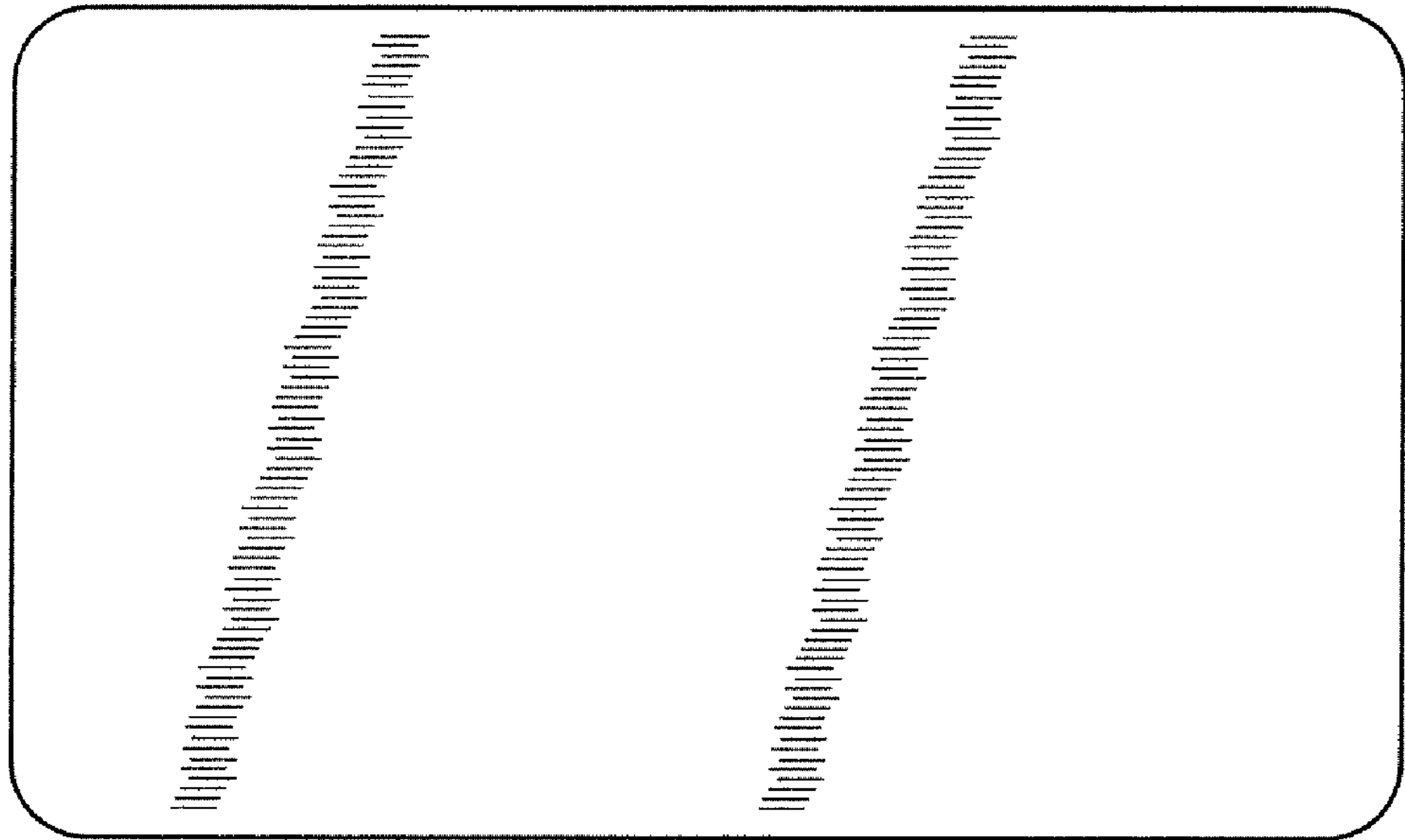


FIG. 3

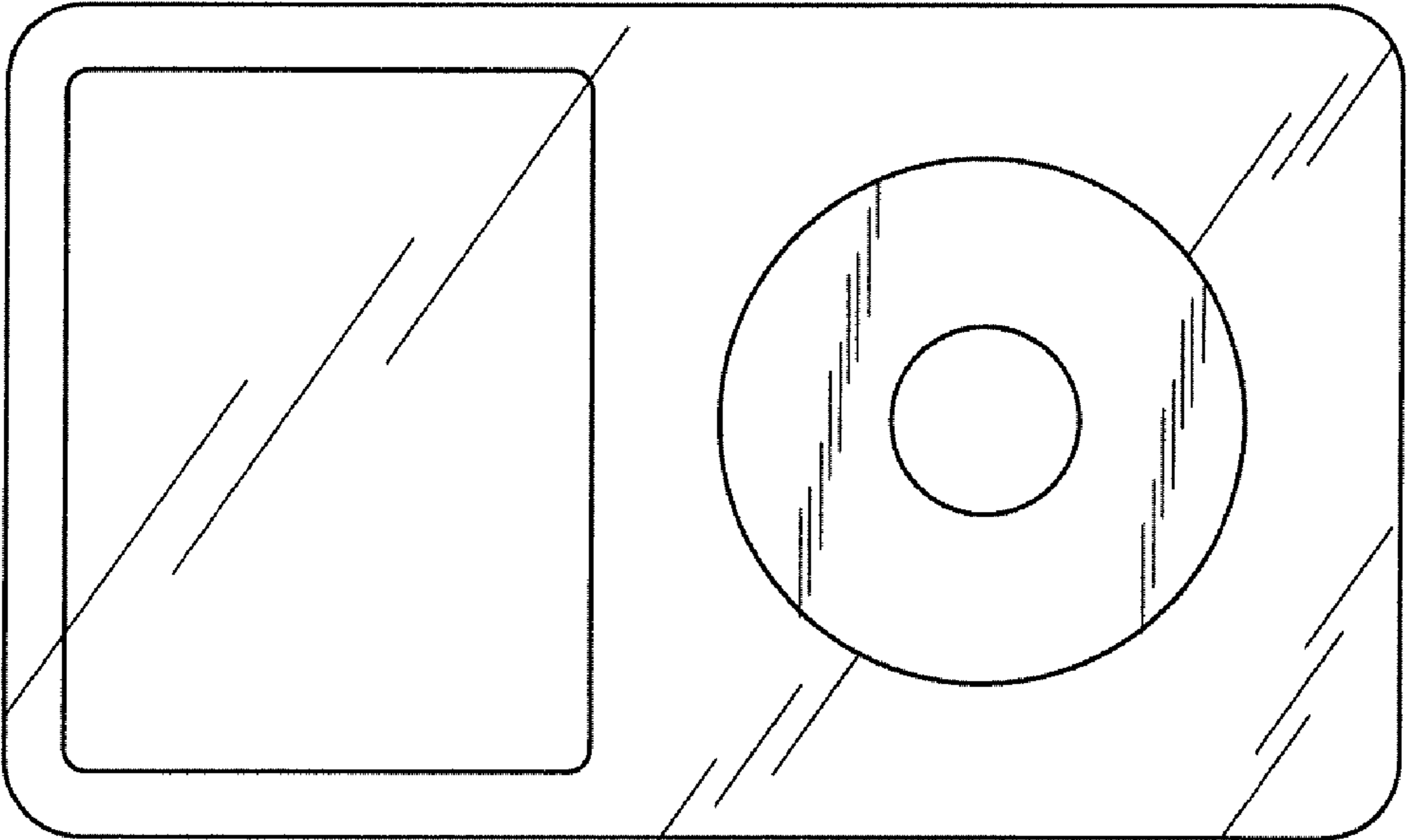


FIG. 2

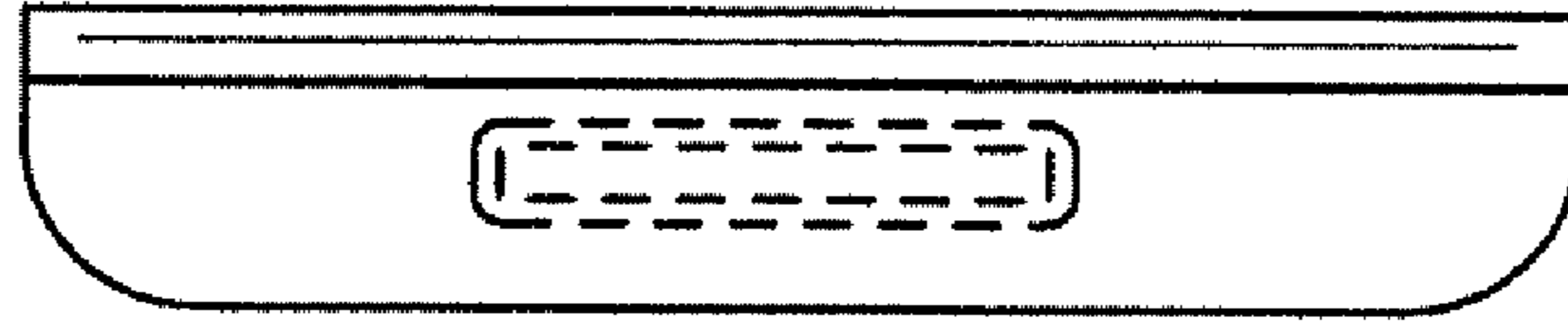


FIG. 4

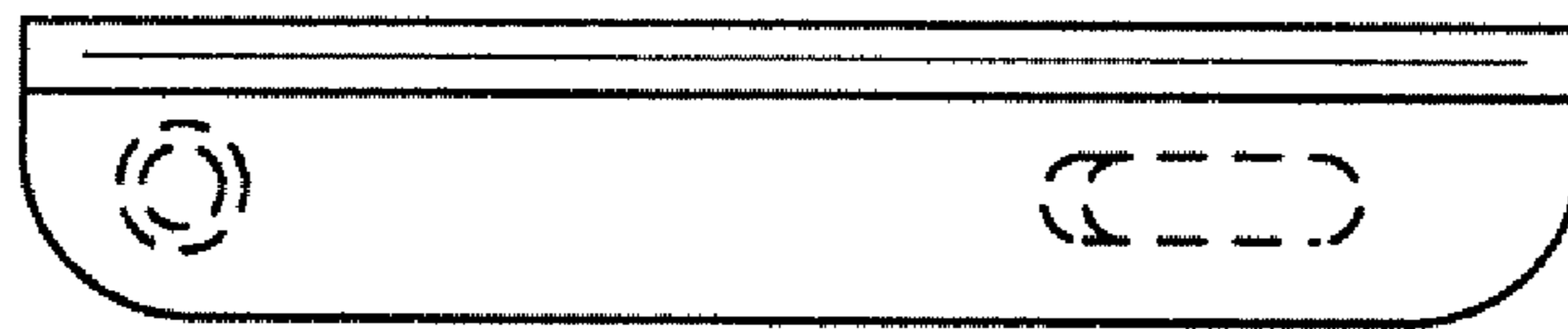


FIG. 5

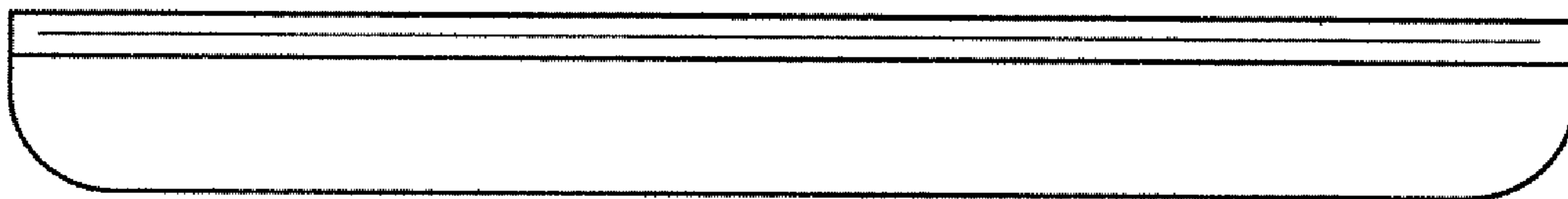


FIG. 6

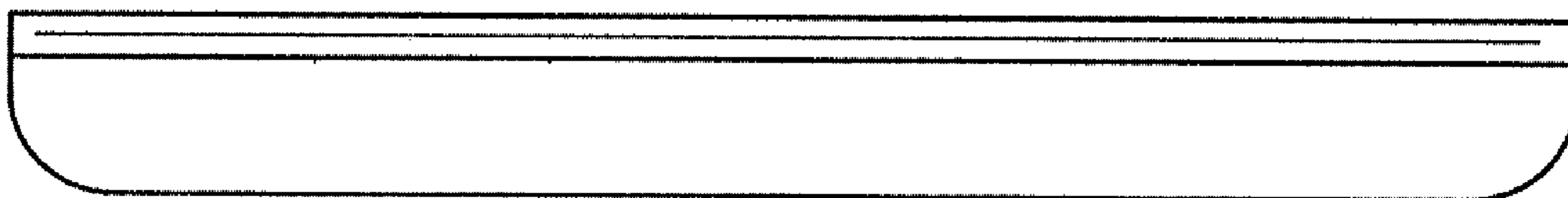


FIG. 7