



US00D572266S

(12) **United States Design Patent**  
**Anderson et al.**

(10) **Patent No.:** **US D572,266 S**  
(45) **Date of Patent:** **\*\* Jul. 1, 2008**

- (54) **ELECTRONIC DEVICE TO BE WORN ON THE ARM**
- (75) Inventors: **Robert C. Anderson**, Cumming, GA (US); **James Pierce**, Cumming, GA (US)
- (73) Assignee: **L-3 Communications Corporation**, New York, NY (US)
- (\*\*) Term: **14 Years**
- (21) Appl. No.: **29/247,928**
- (22) Filed: **Jul. 20, 2006**
- (51) **LOC (8) Cl.** ..... **14-03**
- (52) **U.S. Cl.** ..... **D14/496; D21/329**
- (58) **Field of Classification Search** ..... D14/496, D14/155, 160-173, 217, 257, 258; D21/324, D21/328, 329; D3/215, 218, 904; 273/148 B; 463/1, 29-35, 46, 47; 369/75.11, 1; 455/344-351; 224/164, 165, 175, 178, 218-221; 368/3, 368/9, 10, 278, 281-285  
See application file for complete search history.

(56) **References Cited**  
U.S. PATENT DOCUMENTS

D347,733 S *	6/1994	Miller	.....	D3/226
D350,351 S *	9/1994	Nakamura	.....	D14/156
5,355,352 A *	10/1994	Kobayashi et al.	.....	368/281
5,386,933 A *	2/1995	Greene et al.	.....	224/219
D418,174 S *	12/1999	Jankowski et al.	.....	D21/329
D418,879 S *	1/2000	Hornsby et al.	.....	D21/329
D419,459 S *	1/2000	Dickson	.....	D10/46.1
D433,008 S *	10/2000	Pardo	.....	D14/168
6,430,110 B2 *	8/2002	Baroche	.....	368/13
6,712,501 B2 *	3/2004	Kinkio et al.	.....	368/281
6,753,882 B2 *	6/2004	Nakazawa et al.	.....	715/708
7,004,469 B2 *	2/2006	von Goeben	.....	273/348
7,006,408 B2 *	2/2006	Chen	.....	368/10

OTHER PUBLICATIONS

W-B Pen and Watch; www.pendsandwatches.com, printed Aug. 14, 2006, 12 pages.  
 www.amazon.com; printed Jan. 19, 2006, PSP Soft Case and Wrist Strap; 6 pages.  
 www.online.wsj.com, printed Nov. 2004, The Wall Street Journal Online, "The Big Idea: Defense Industry Turns To Tech Cos For Help" by Donna Fuscaldo, 2 pages.  
 www.news.yahoo.com, printed Mar. 2005, Associated Press, 'Wrist Video' Gives Israeli Army an Edge by Josef Federman, 2 pages.  
 \* cited by examiner

*Primary Examiner*—Prabhakar Deshmukh  
 (74) *Attorney, Agent, or Firm*—Gardner Groff Greenwald & Villanueva, PC

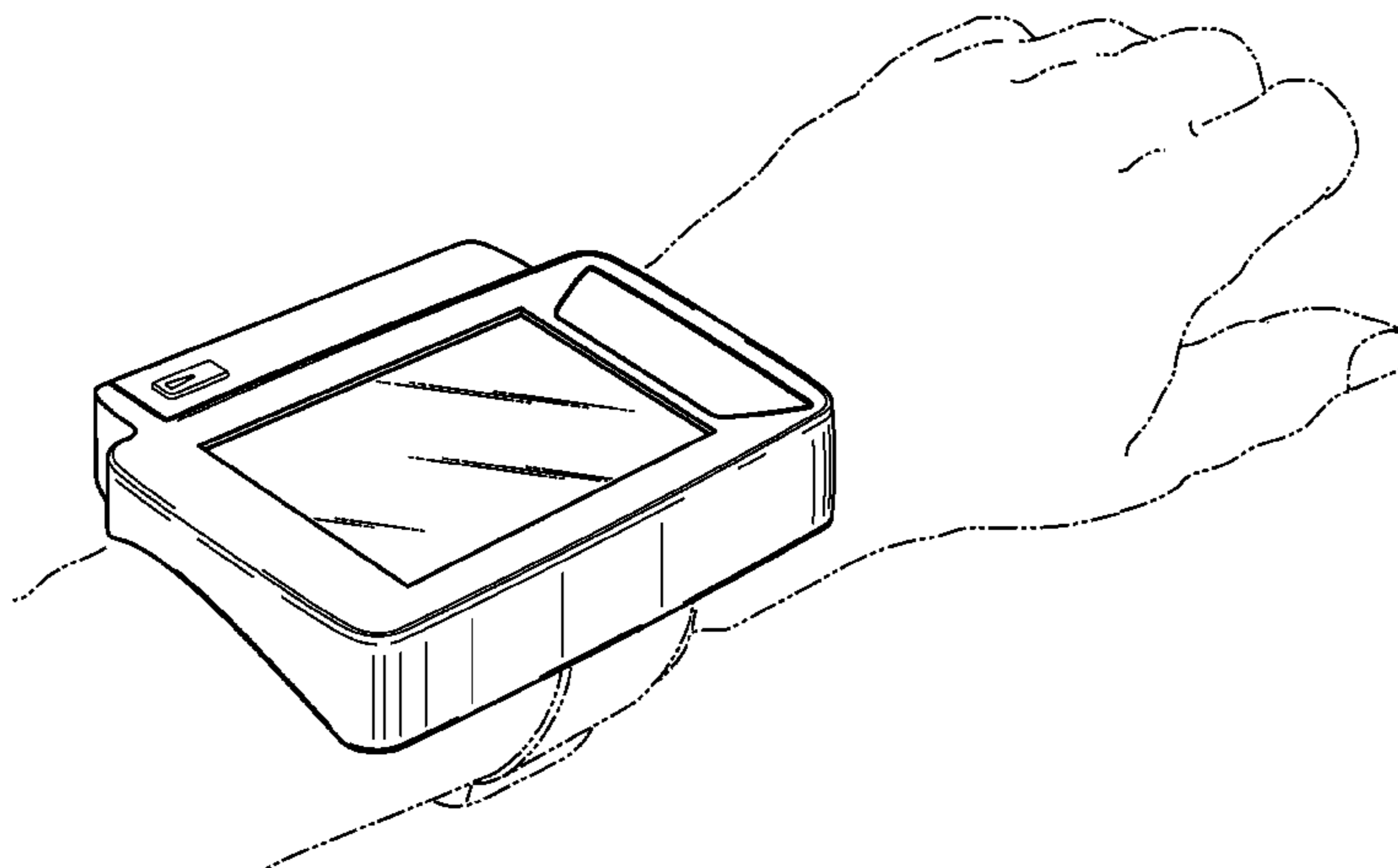
(57) **CLAIM**

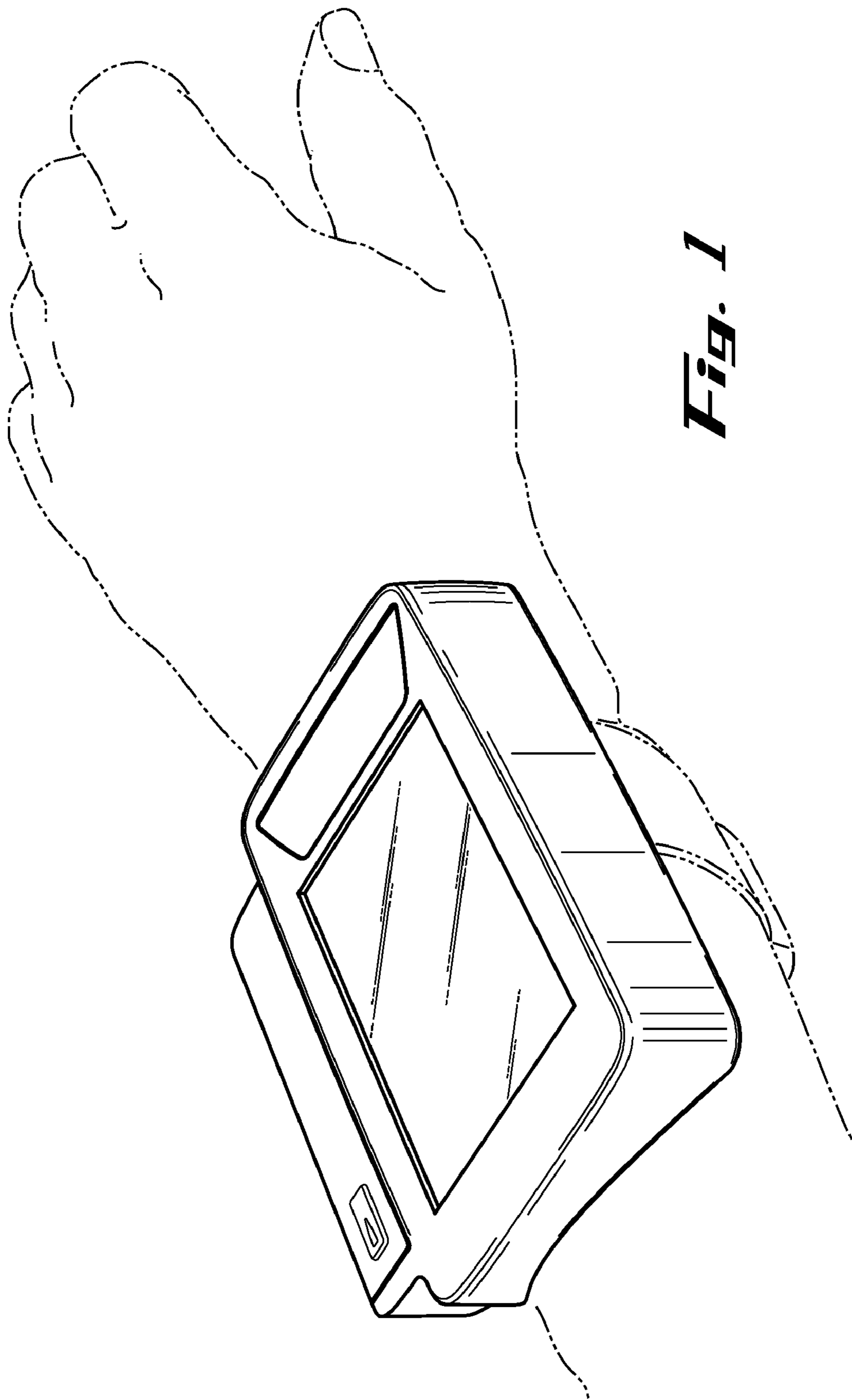
The ornamental design for an electronic device to be worn on the arm, as shown and described.

**DESCRIPTION**

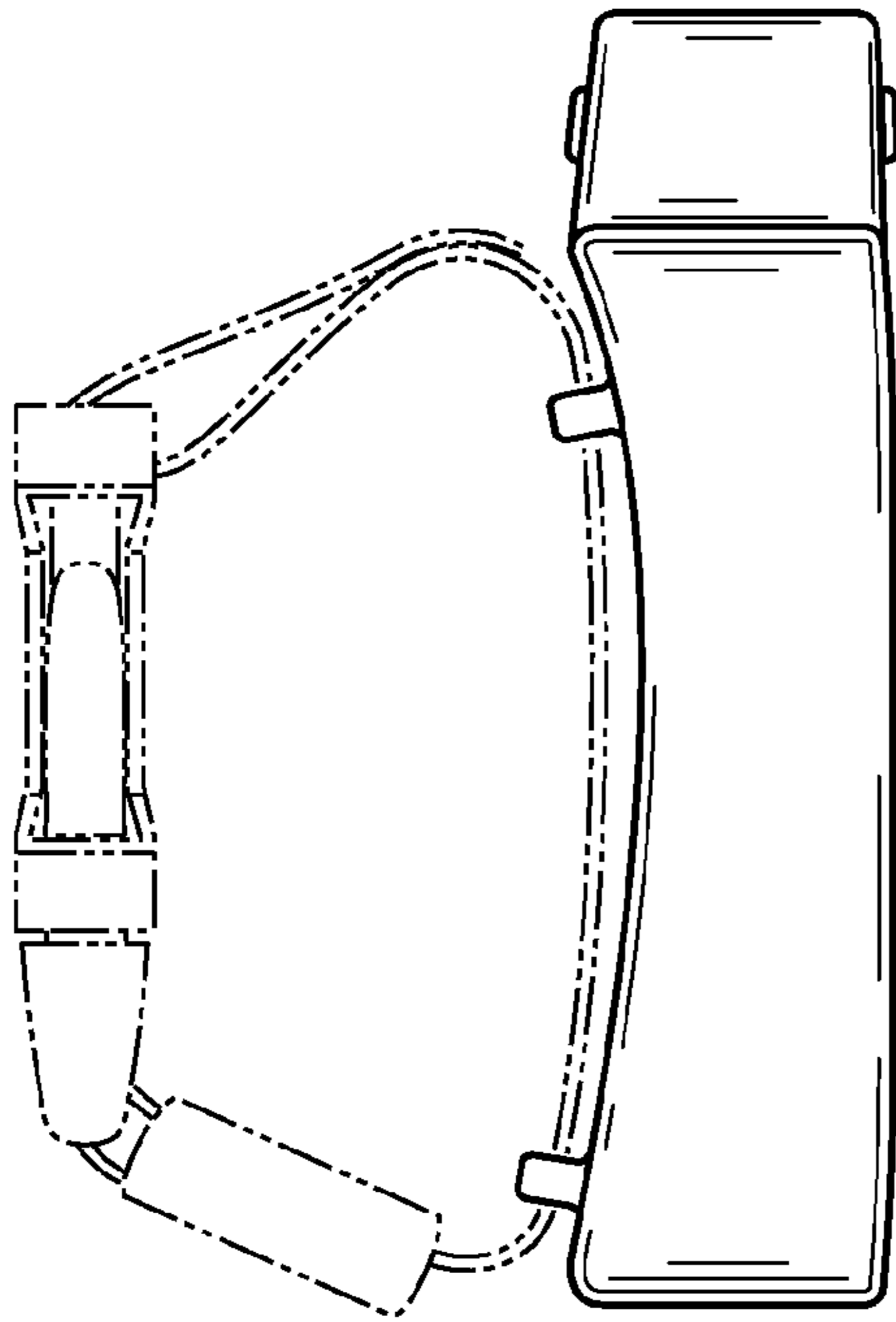
FIG. 1 is a perspective view of an electronic device to be worn on the arm showing our new design;  
 FIG. 2 is a left side elevational view thereof;  
 FIG. 3 is a right side elevational view thereof;  
 FIG. 4 is a top plan view thereof;  
 FIG. 5 is a bottom plan view thereof;  
 FIG. 6 is a front elevational view thereof;  
 FIG. 7 is a rear elevational view thereof;  
 FIG. 8 is a perspective view of a second embodiment of FIG. 1; and,  
 FIG. 9 is a front elevational view of FIG. 8.  
 All other views of the second embodiment (FIG. 8) are the same as disclosed in FIGS. 2-5 and 7. The broken lines are for illustrative purpose only and form no part of the claimed design.

**1 Claim, 5 Drawing Sheets**

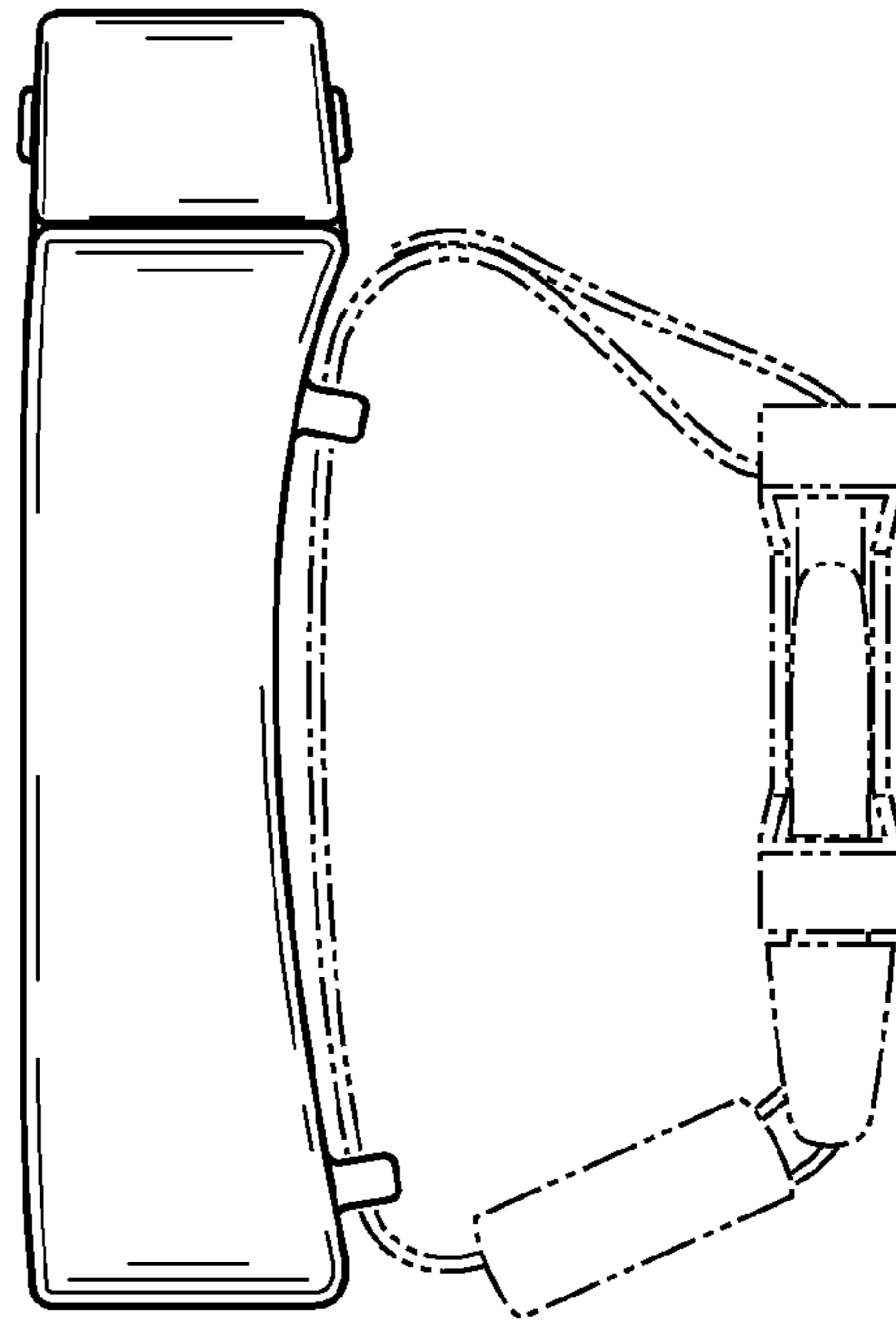




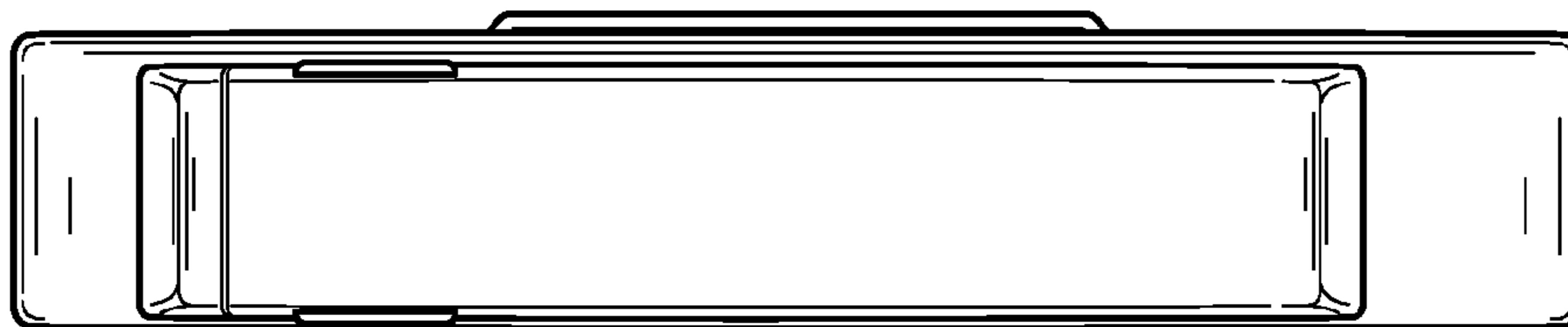
**Fig. 1**



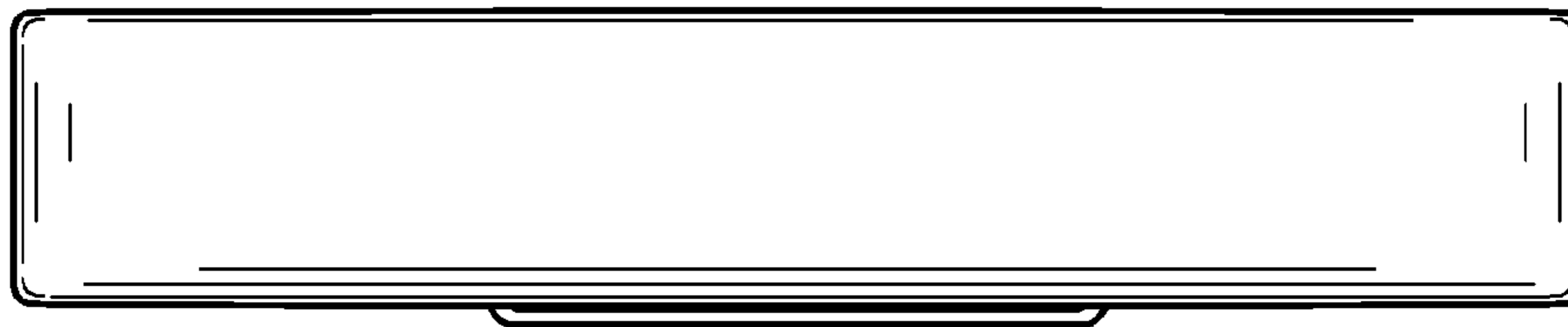
*Fig. 2*



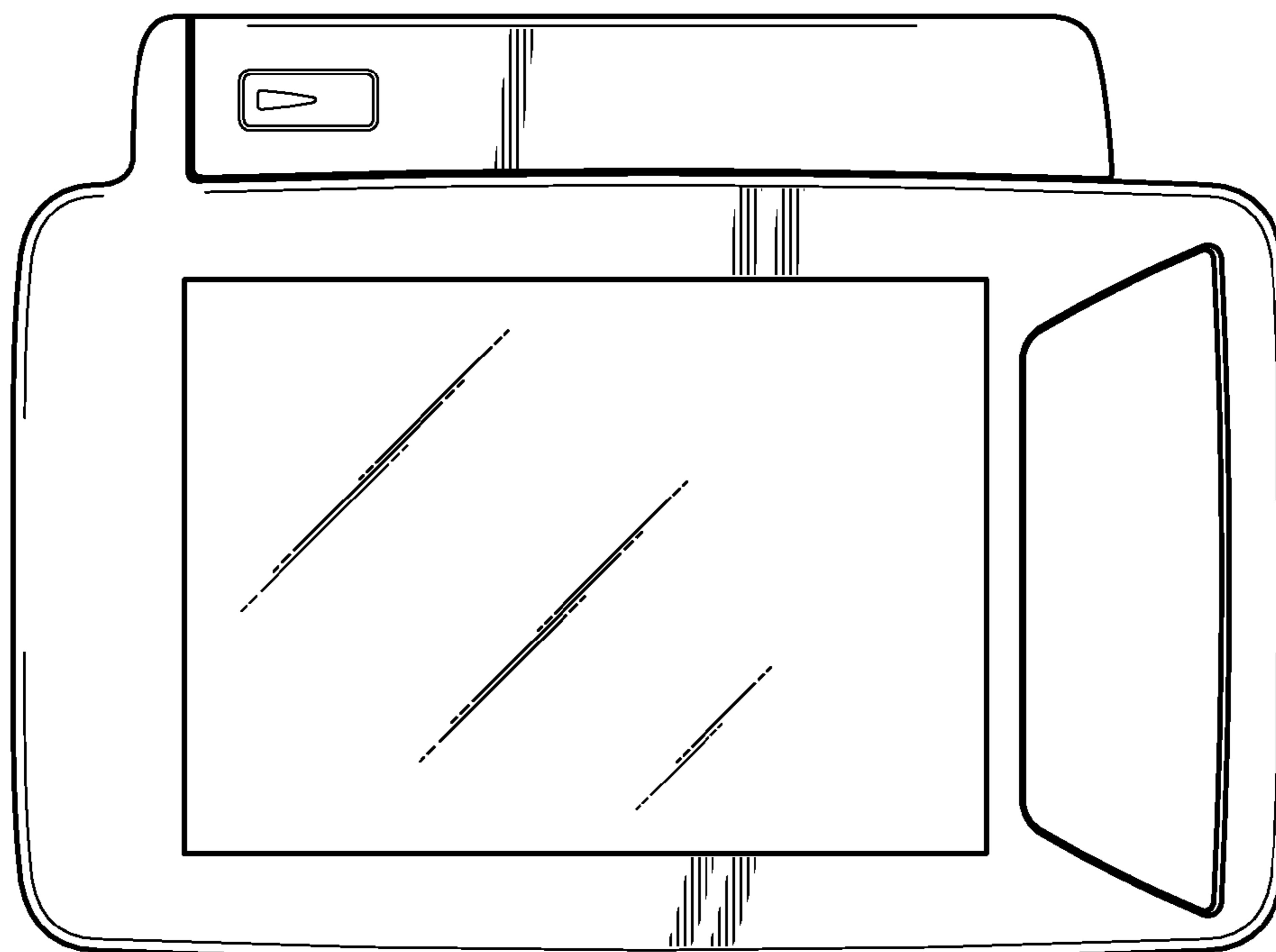
*Fig. 3*



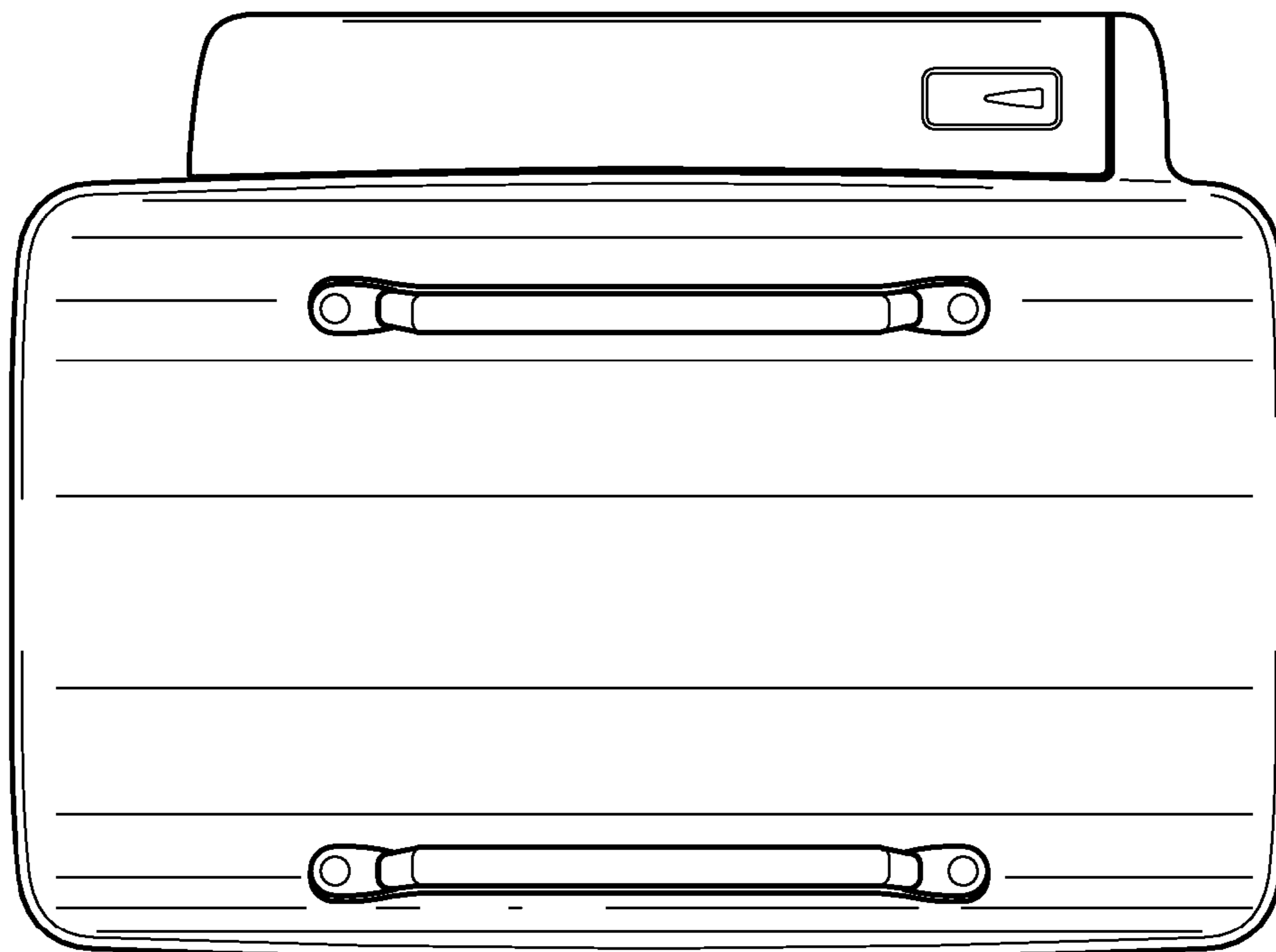
*Fig. 4*



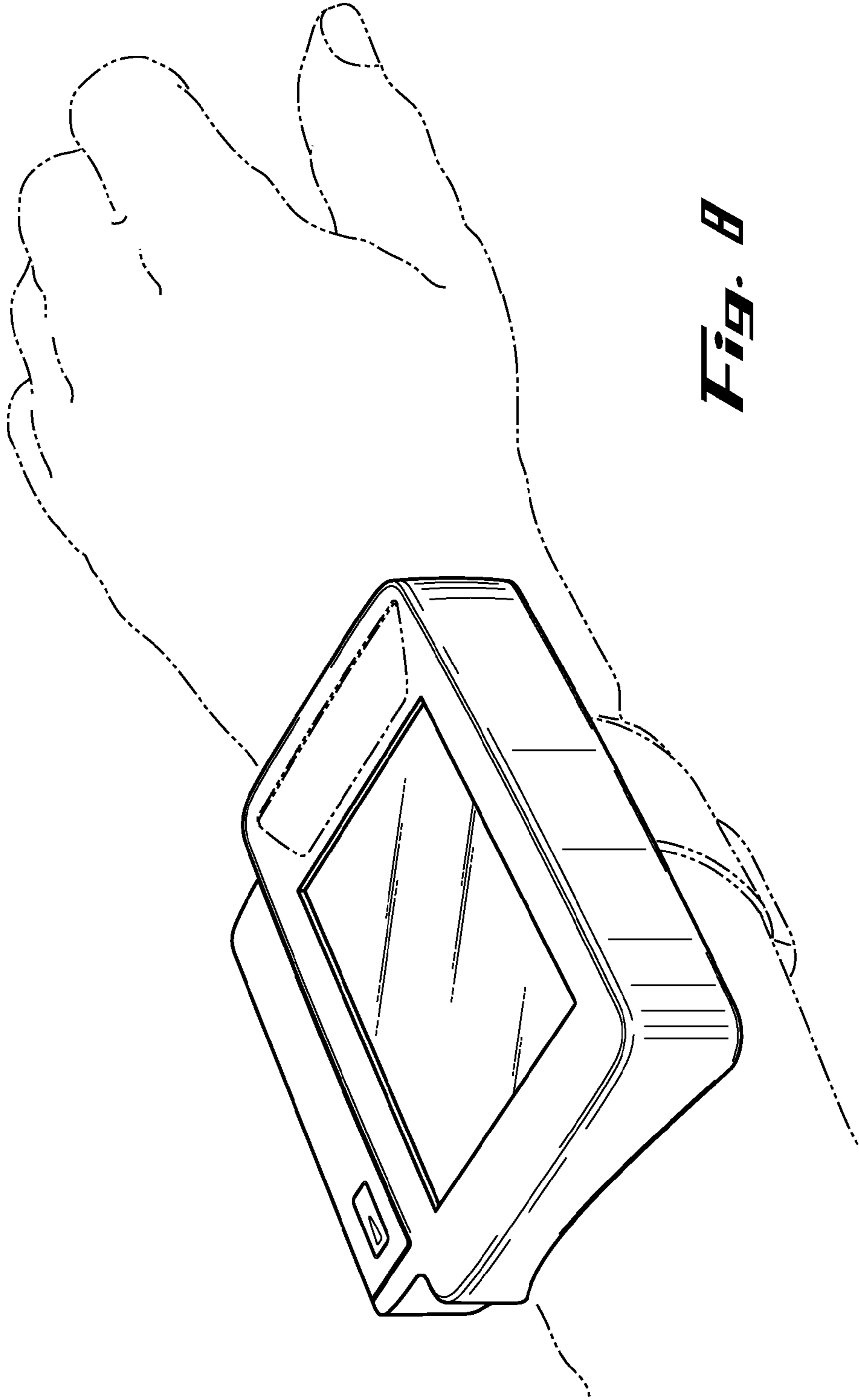
*Fig. 5*



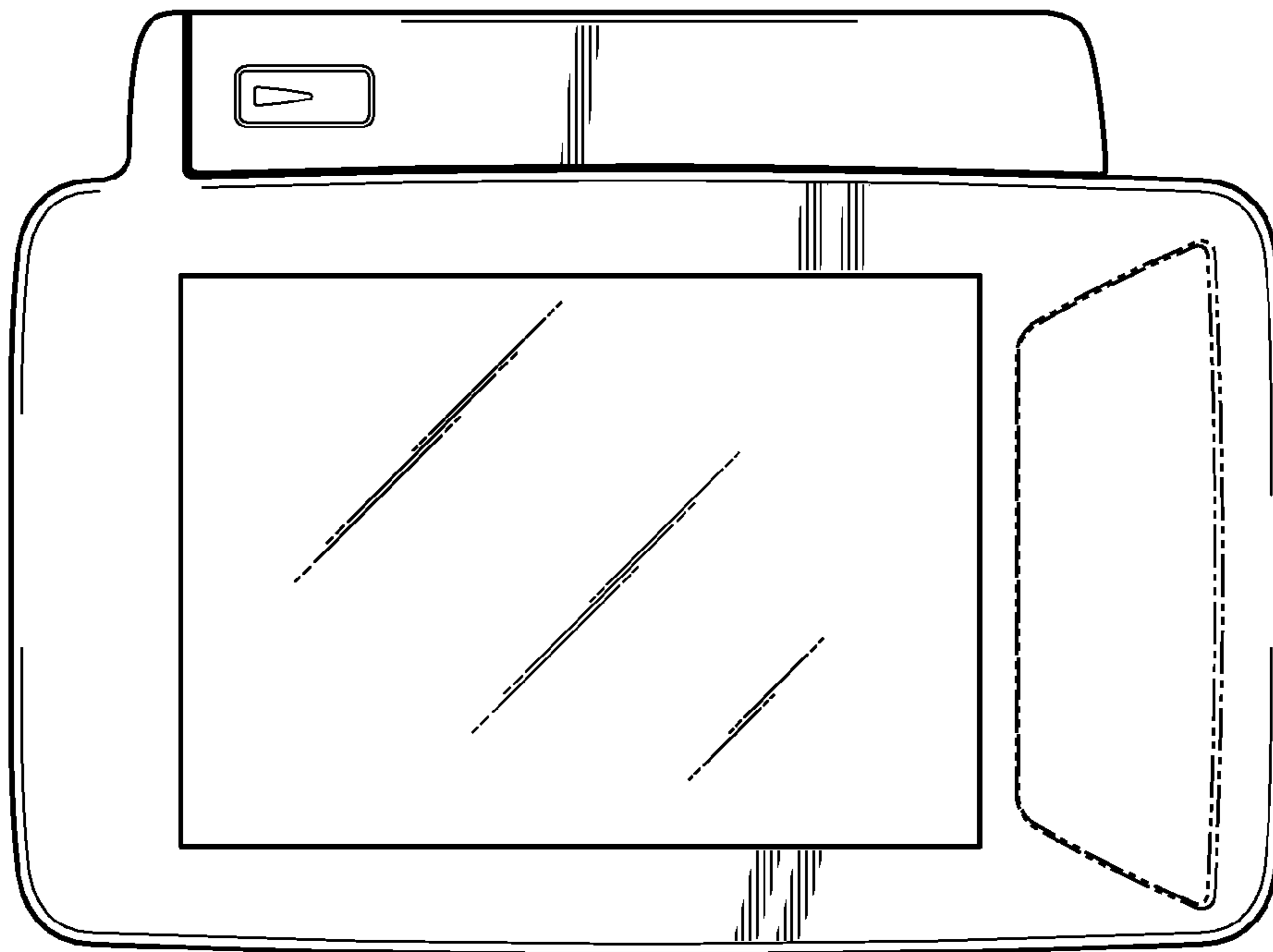
*Fig. 6*



*Fig. 7*



*Fig. 8*



*Fig. 9*