



US00D572251S

(12) **United States Design Patent**
Lee

(10) **Patent No.:** **US D572,251 S**
(45) **Date of Patent:** **** Jul. 1, 2008**

(54) **USB WIRELESS DONGLE**

(75) Inventor: **Shih-Yun Lee**, Chunggho (TW)

(73) Assignee: **Quanta Computer Inc.**, Tao Yuan Shien (TW)

(**) Term: **14 Years**

(21) Appl. No.: **29/295,817**

(22) Filed: **Oct. 8, 2007**

(51) **LOC (8) Cl.** **14-03**

(52) **U.S. Cl.** **D14/358**

(58) **Field of Classification Search** D14/137,
D14/156, 167, 230, 240, 242, 348, 356, 358,
D14/384-385, 432-435; 348/711-713, 795,
348/840, 846; 361/658-686; 365/63; 455/90.2,
455/90.3, 91, 128, 269, 344, 347; 439/139-141,
439/144-147, 518, 638; 710/62, 74
See application file for complete search history.

(56) **References Cited**

U.S. PATENT DOCUMENTS

6,456,500 B1 * 9/2002 Chen 439/141
D486,806 S * 2/2004 Takayama et al. D14/137
D494,969 S * 8/2004 Lin D14/356
6,926,544 B2 * 8/2005 Lee 439/147
D513,005 S * 12/2005 Kobayakawa D14/435

D520,995 S * 5/2006 Chang D14/356
D542,789 S * 5/2007 Depay D14/358
D546,328 S * 7/2007 Kobayakawa D14/358
D559,838 S * 1/2008 Yuba et al. D14/230
D560,214 S * 1/2008 Yuba et al. D14/230

* cited by examiner

Primary Examiner—Brian N Vinson

(74) *Attorney, Agent, or Firm*—Thomas, Kayden,
Horstemeyer & Risley

(57) **CLAIM**

The ornamental design for a USB wireless dongle, as shown and described.

DESCRIPTION

FIG. 1 is a front, side perspective view of a USB wireless dongle showing our new design;

FIG. 2 is a front elevational view thereof;

FIG. 3 is a rear elevational view thereof;

FIG. 4 is a right side elevational view thereof;

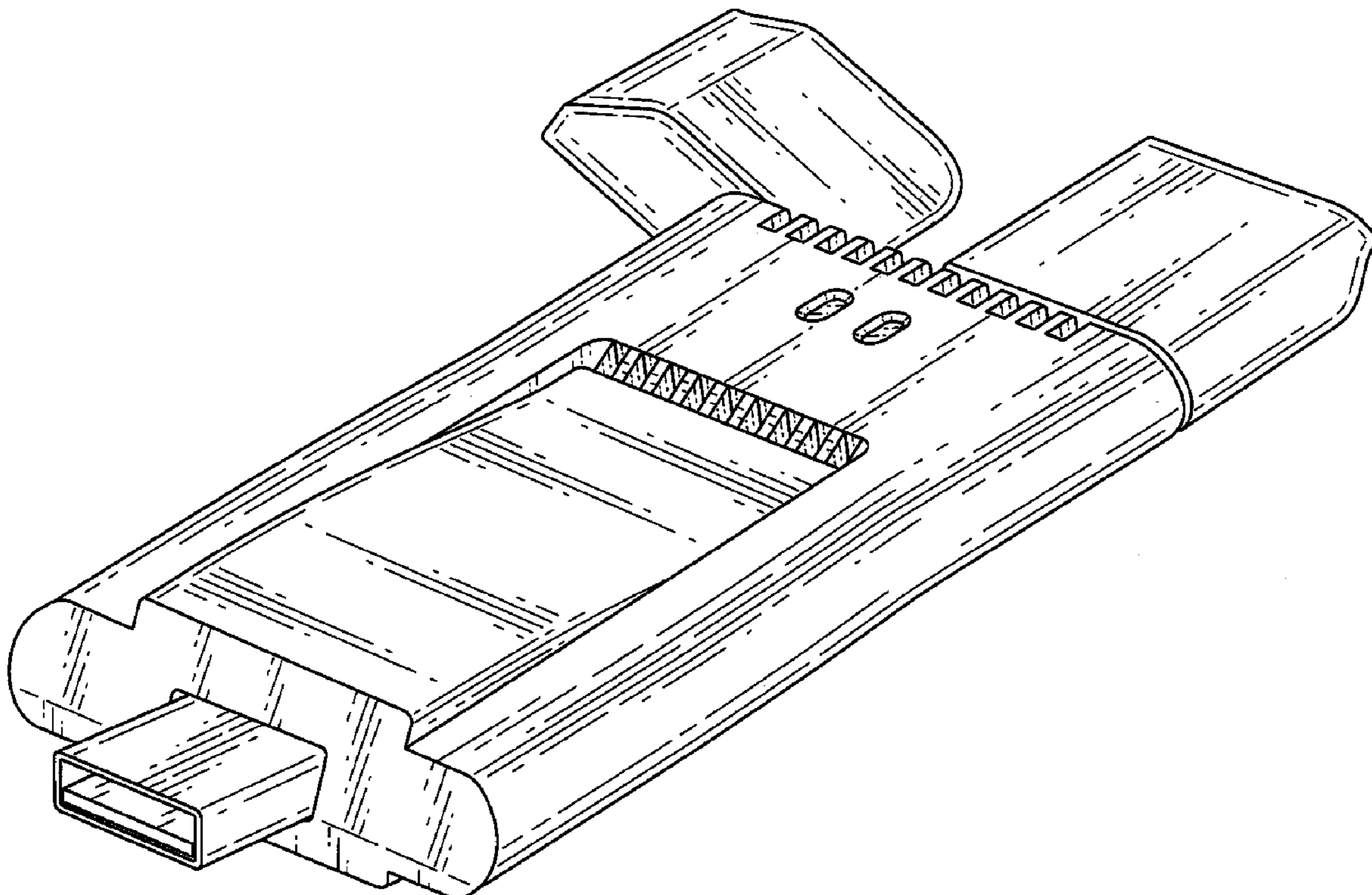
FIG. 5 is a left side elevational view thereof;

FIG. 6 is a top plan view thereof;

FIG. 7 is a bottom plan view thereof; and,

FIG. 8 is a front view thereof showing the state of operating.

1 Claim, 6 Drawing Sheets



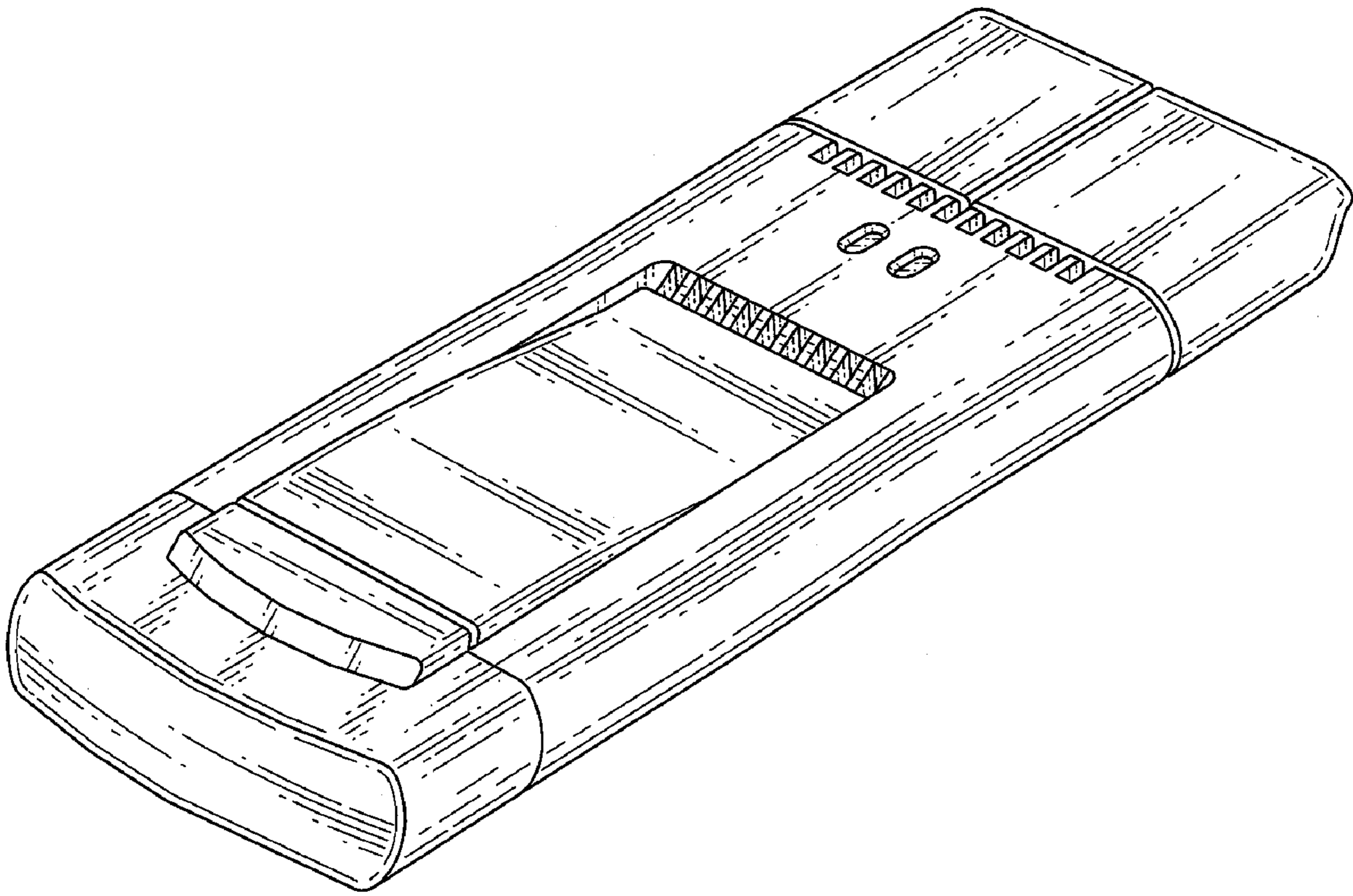


Fig. 1

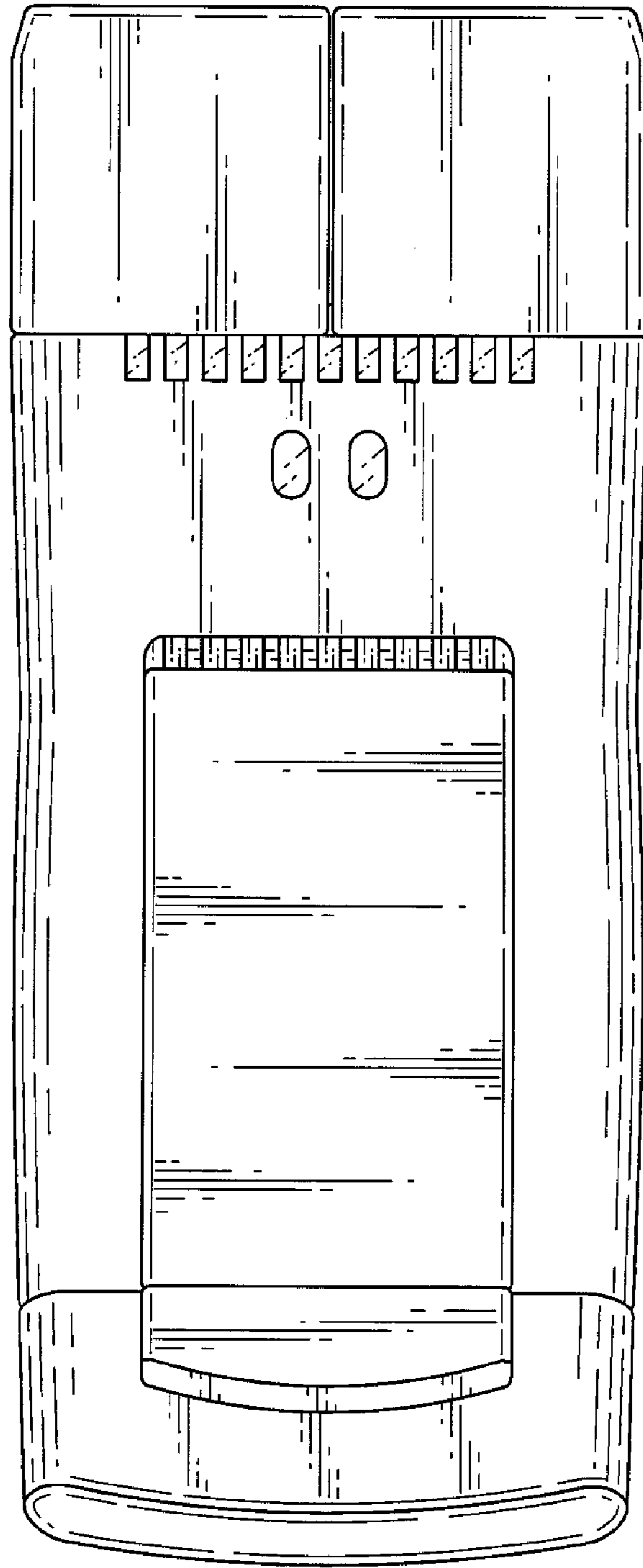


Fig. 2

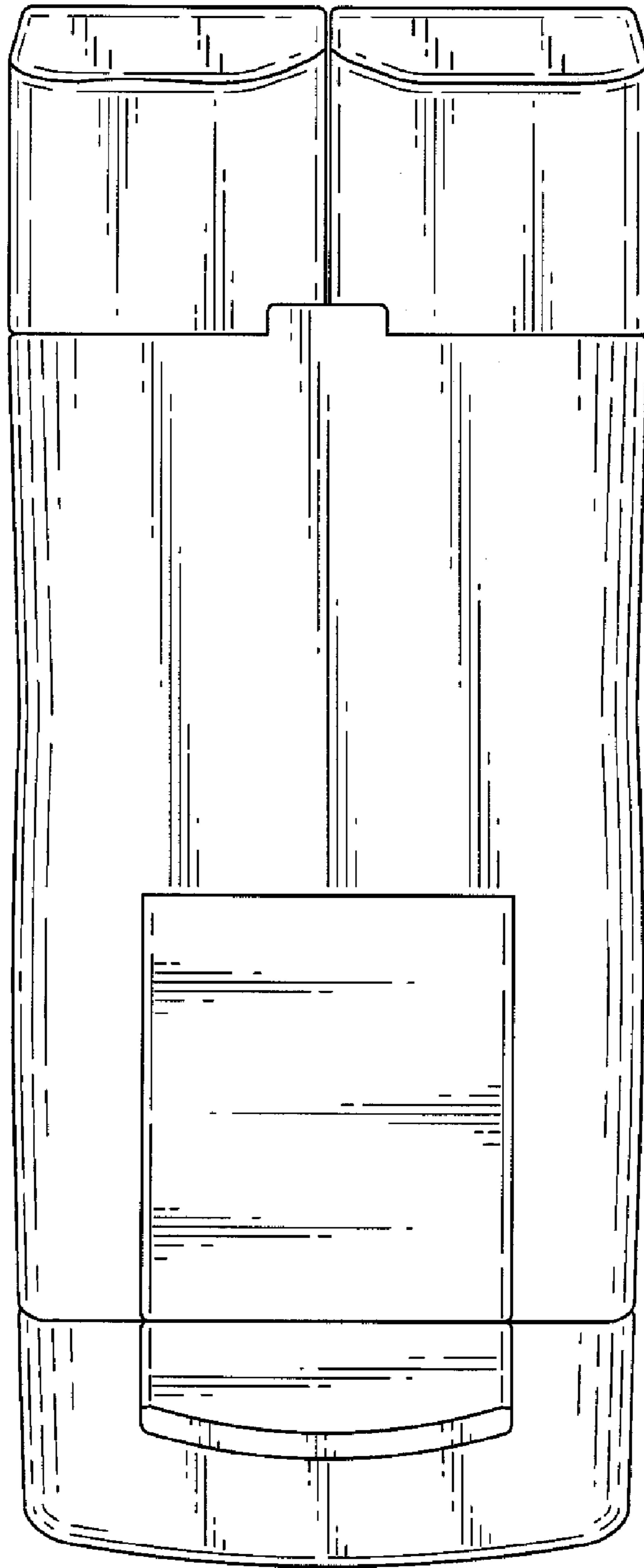


Fig. 3

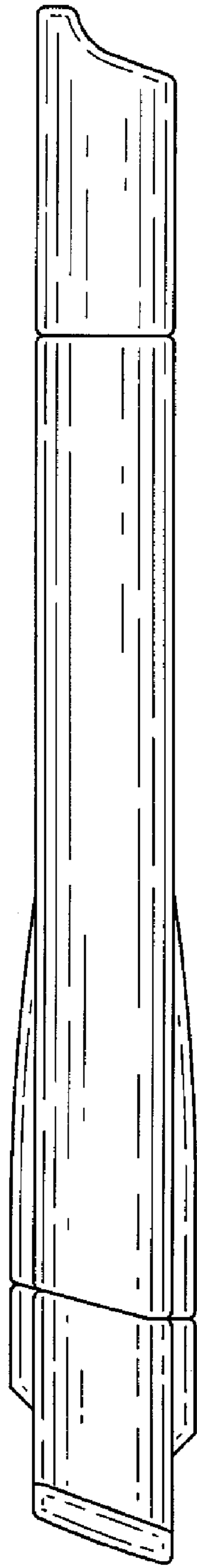


Fig. 4

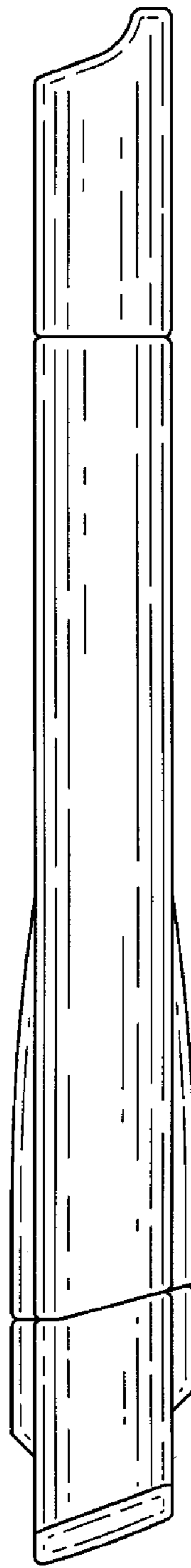


Fig. 5

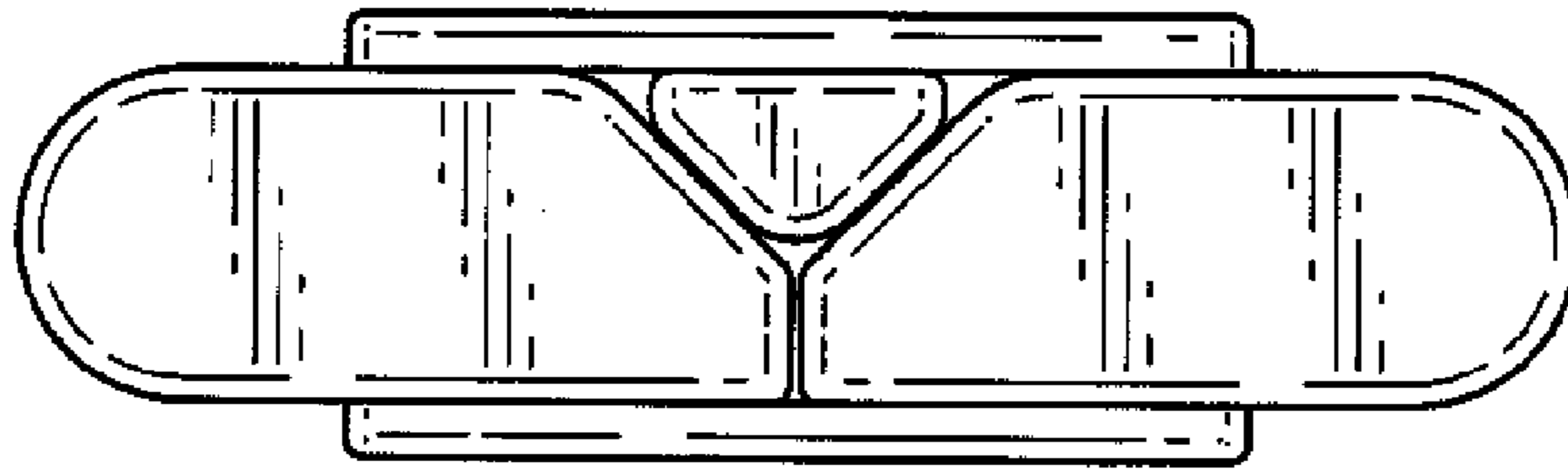


Fig. 6

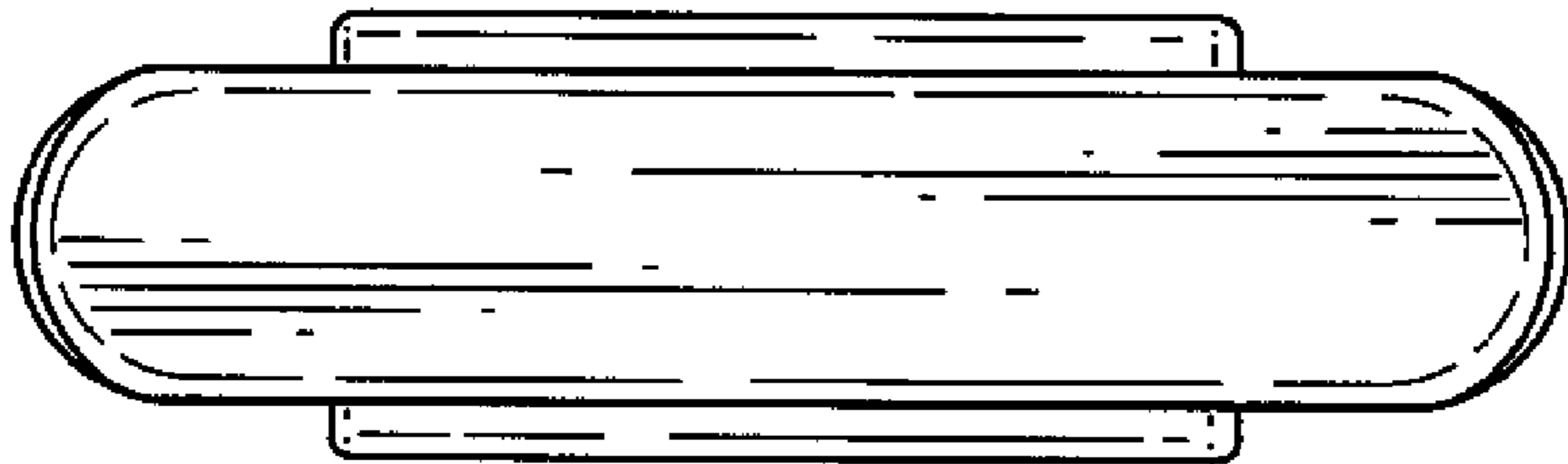


Fig. 7

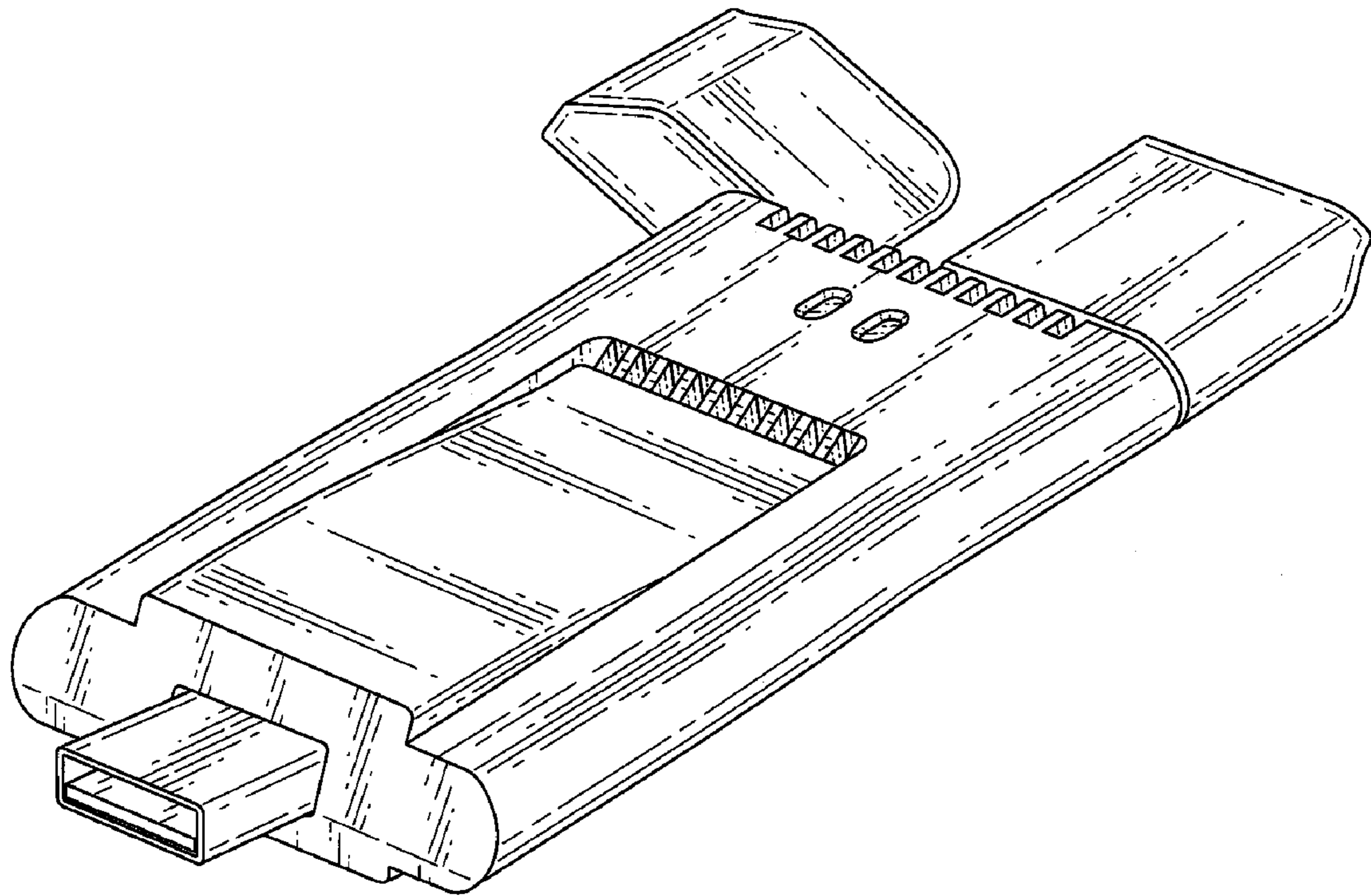


Fig. 8