



US00D572242S

(12) **United States Design Patent**  
**Yang**

(10) **Patent No.:** **US D572,242 S**  
(45) **Date of Patent:** **\*\* Jul. 1, 2008**

(54) **EARPHONE**

(75) Inventor: **Bill Yang**, Taipei (TW)

(73) Assignee: **Cotron Corporation**, Taipei (TW)

(\*\*) Term: **14 Years**

(21) Appl. No.: **29/276,866**

(22) Filed: **Feb. 7, 2007**

(30) **Foreign Application Priority Data**

Feb. 7, 2007 (TW) ..... 96300807

(51) **LOC (8) Cl.** ..... **14-01**

(52) **U.S. Cl.** ..... **D14/223; D14/205**

(58) **Field of Classification Search** ..... D14/205–206,  
D14/223, 192; 181/129–130, 149; 379/430,  
379/431, 444; 381/313, 328, 330, 380, 381,  
381/373

See application file for complete search history.

(56) **References Cited**

**U.S. PATENT DOCUMENTS**

4,972,492 A \* 11/1990 Tanaka et al. .... 381/380  
D318,473 S \* 7/1991 Miyashita et al. .... D14/223  
D331,062 S \* 11/1992 Kanno ..... D14/223  
D337,119 S \* 7/1993 Taniguchi ..... D14/223  
D337,589 S \* 7/1993 Wada ..... D14/223  
D340,932 S \* 11/1993 Yan ..... D14/249

D353,379 S \* 12/1994 Nakamura et al. .... D14/223  
D369,349 S \* 4/1996 Hayashi ..... D14/223  
6,084,976 A \* 7/2000 Lin ..... 381/380  
D469,753 S \* 2/2003 Andre et al. .... D14/205  
D487,077 S \* 2/2004 Obata ..... D14/223  
D523,846 S \* 6/2006 Lee ..... D14/205  
D556,741 S \* 12/2007 Yeo ..... D14/223

\* cited by examiner

*Primary Examiner*—Paula A. Greene

(74) *Attorney, Agent, or Firm*—Jianq Chyun IP Office

(57) **CLAIM**

The ornamental design for an earphone, as shown and described.

**DESCRIPTION**

FIG. 1 is a perspective view of an earphone showing my new design;

FIG. 2 is a front view thereof;

FIG. 3 is a rear view thereof;

FIG. 4 is a left side view thereof;

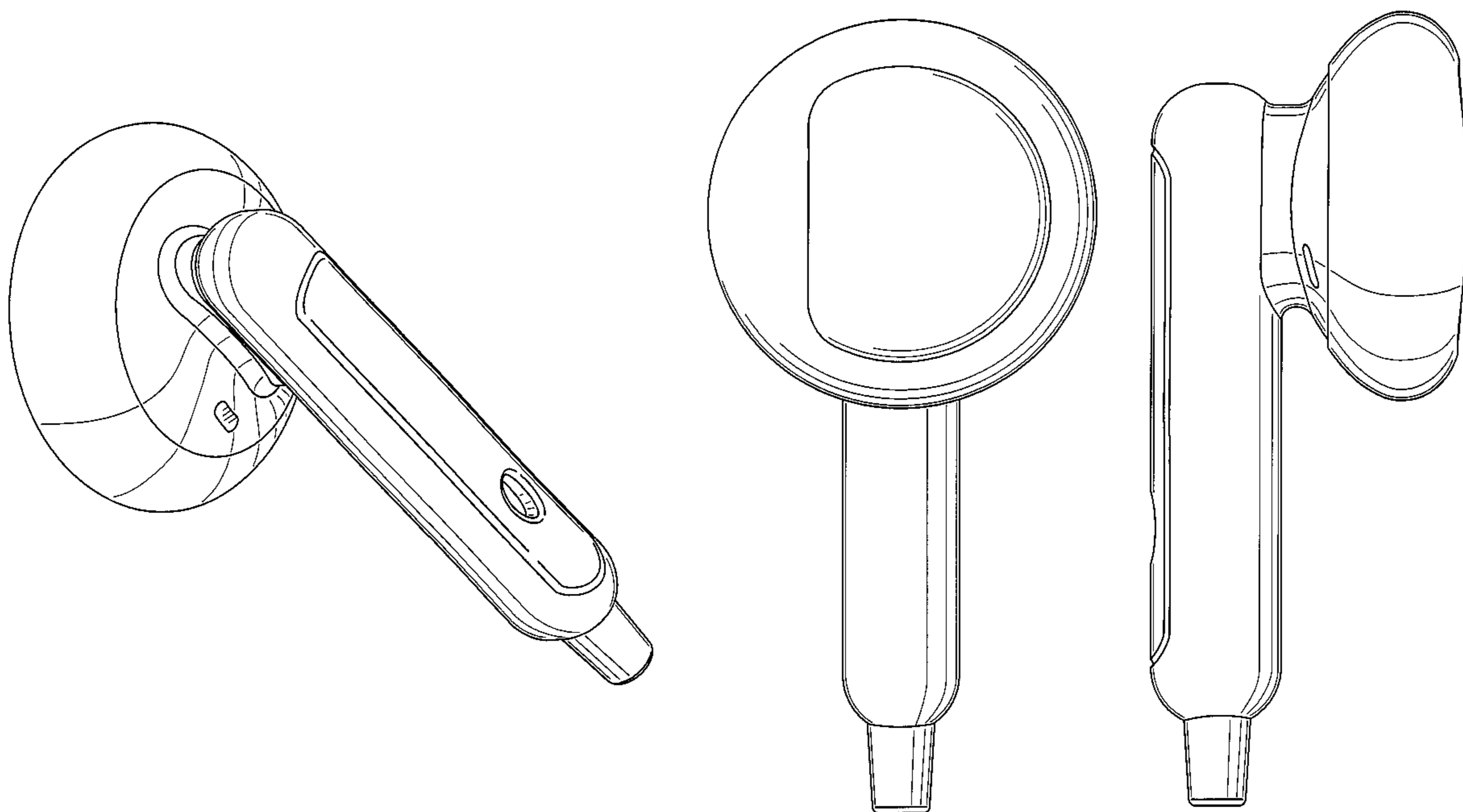
FIG. 5 is a right side view thereof;

FIG. 6 is a top view thereof; and,

FIG. 7 is a bottom view thereof.

The broken lines in FIG. 7 are included for the purpose of illustration and form no part of the claimed design.

**1 Claim, 6 Drawing Sheets**



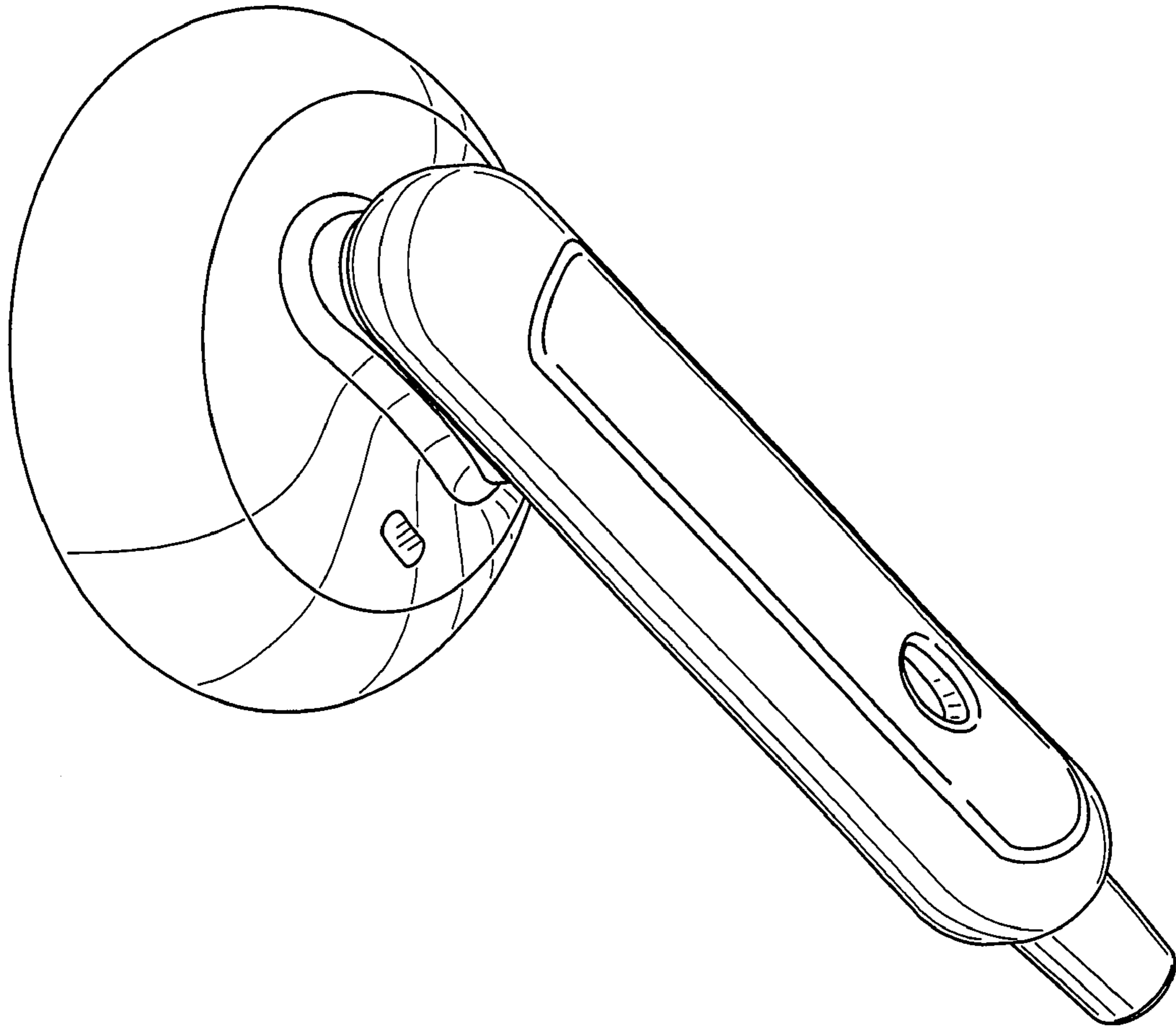


FIG. 1

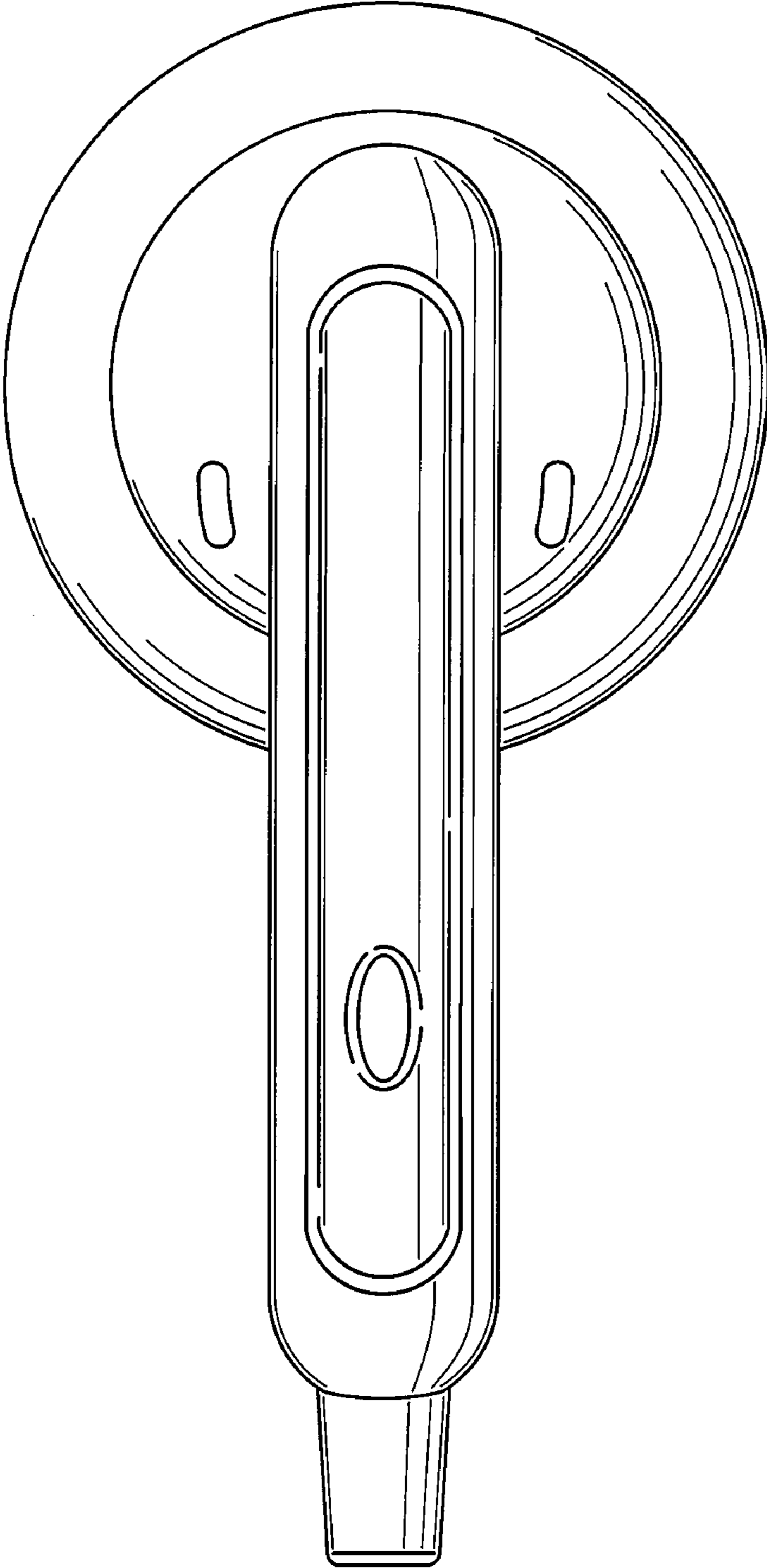


FIG. 2

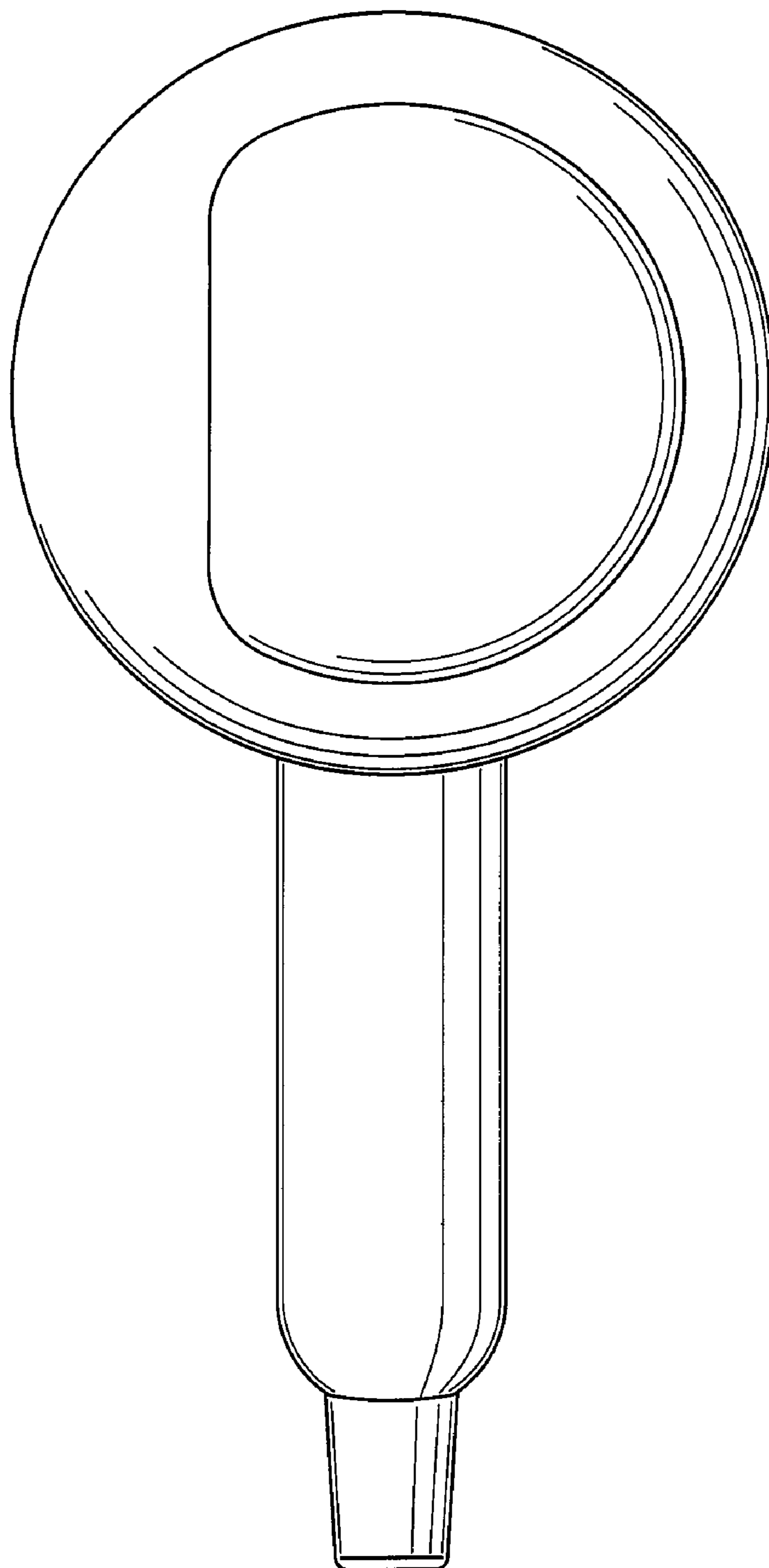


FIG. 3

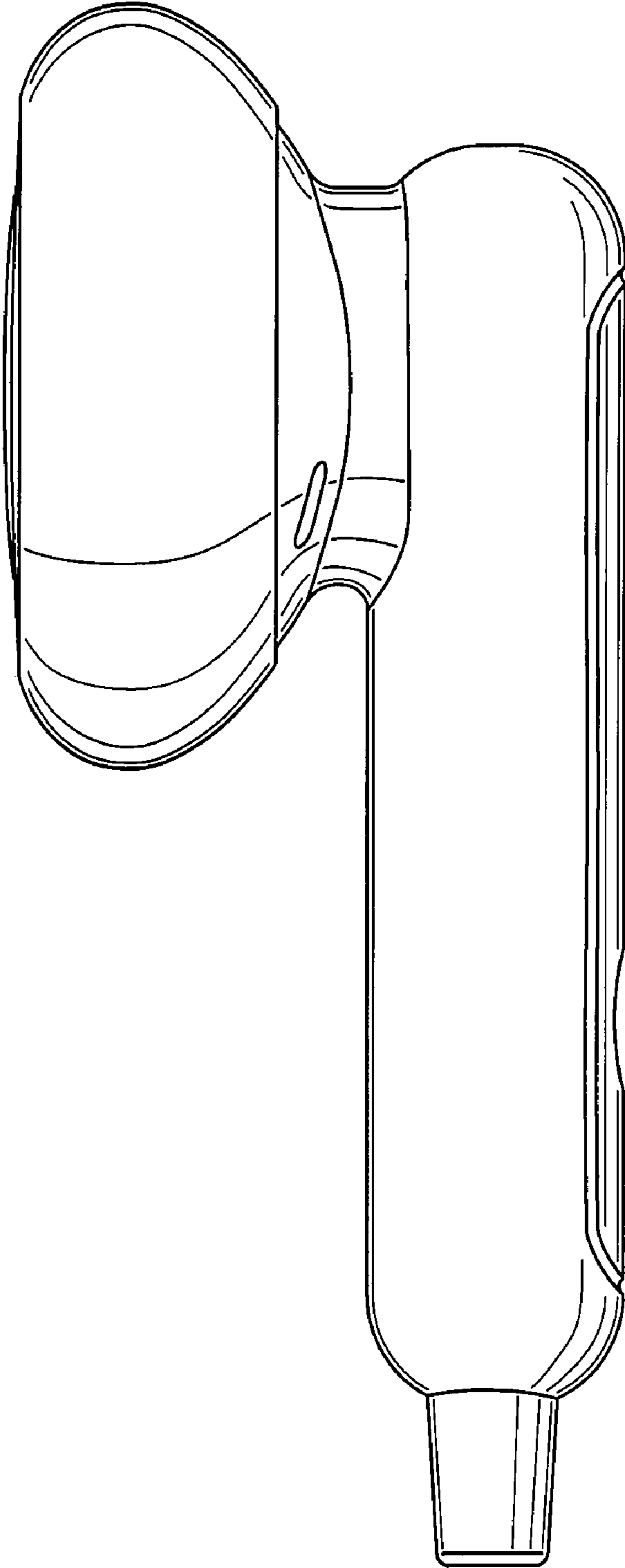


FIG. 4

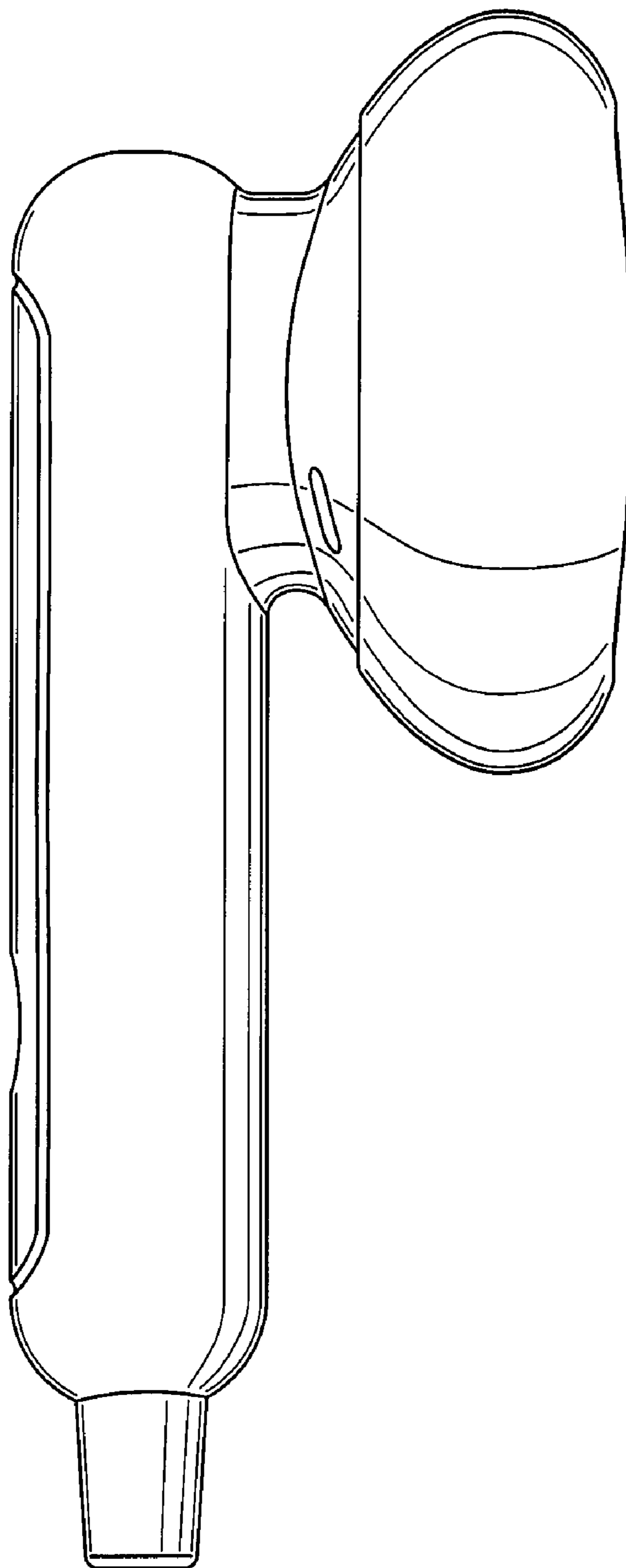


FIG. 5

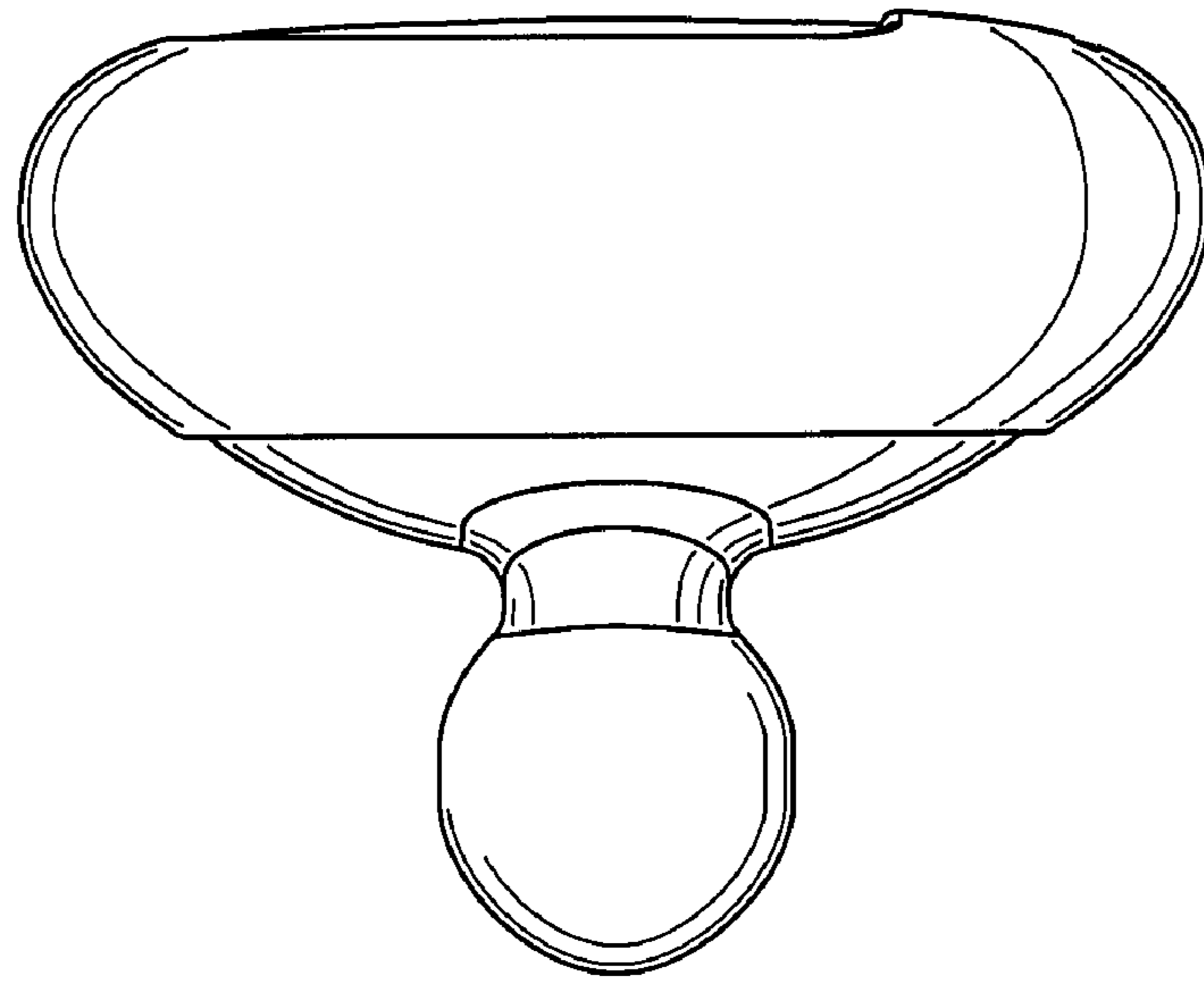


FIG. 6

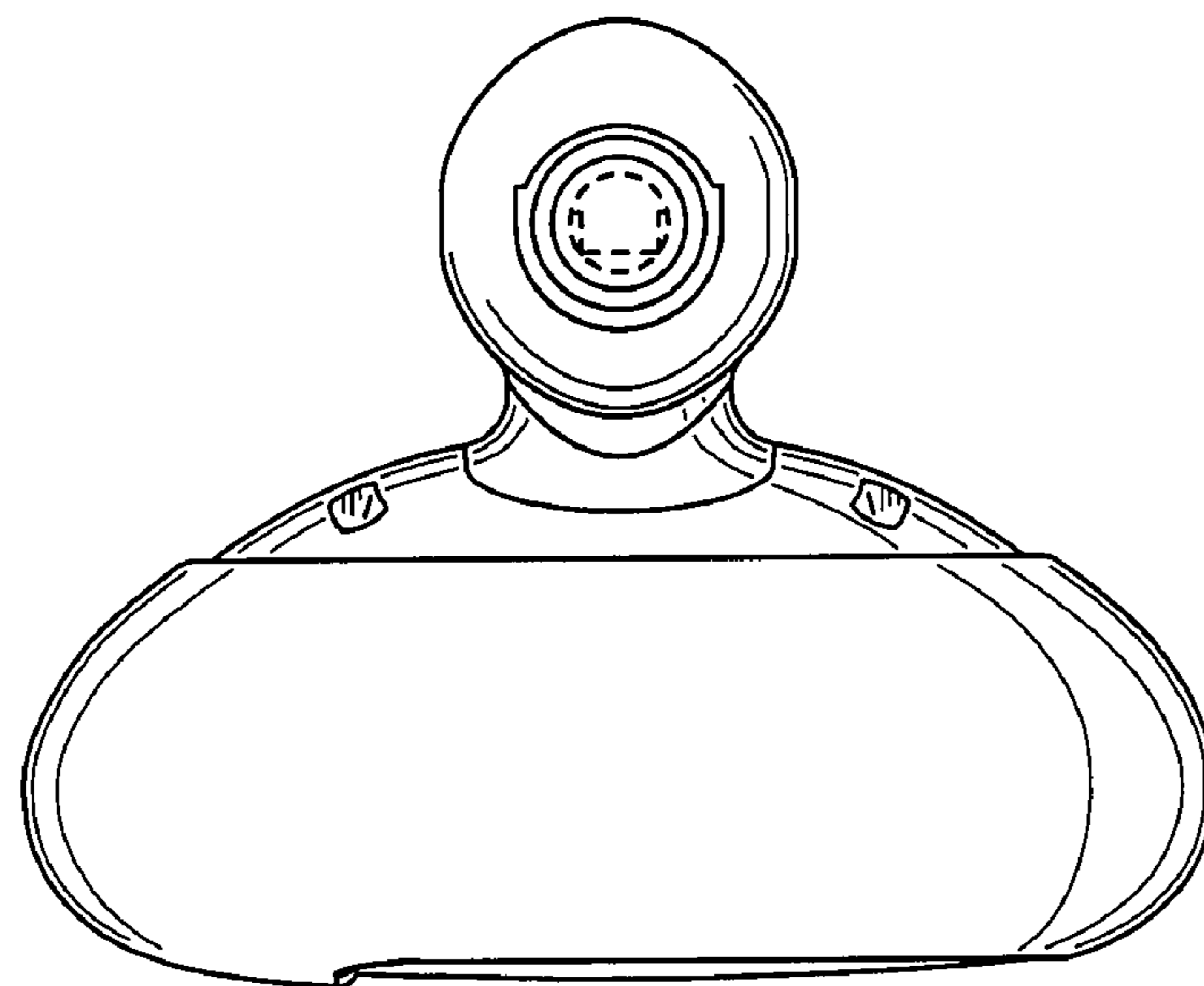


FIG. 7