



US00D572240S

(12) **United States Design Patent**
Nakane

(10) **Patent No.:** **US D572,240 S**
(45) **Date of Patent:** **** Jul. 1, 2008**

(54) **LOUDSPEAKER GRILL**

(75) Inventor: **Koji Nakane**, Tokyo (JP)

(73) Assignee: **Pioneer Kabushiki Kaisha**, Tokyo (JP)

(**) Term: **14 Years**

(21) Appl. No.: **29/272,808**

(22) Filed: **Feb. 20, 2007**

(30) **Foreign Application Priority Data**

Nov. 2, 2006 (JP) 2006-030010

(51) **LOC (8) Cl.** **14-01**

(52) **U.S. Cl.** **D14/219**

(58) **Field of Classification Search** D14/204,
D14/209-216, 219-222, 224; 181/143-144,
181/147-148, 150, 157, 198-199, 151, 153;
381/300-302, 306, 333, 345, 361-364, 386-388,
381/332, 336

See application file for complete search history.

(56) **References Cited**

U.S. PATENT DOCUMENTS

4,965,837 A * 10/1990 Murayama et al. 381/186

D317,160 S * 5/1991 Kurata et al. D14/216
D472,545 S * 4/2003 Iijima et al. D14/219
D535,979 S * 1/2007 Shing D14/219

* cited by examiner

Primary Examiner—Nanda Bondade

(74) *Attorney, Agent, or Firm*—Oliff & Berridge, PLC

(57) **CLAIM**

The ornamental design for a loudspeaker grill, as shown and described.

DESCRIPTION

FIG. 1 is a perspective view of a loudspeaker grill showing our new design;

FIG. 2 is a front elevational view thereof;

FIG. 3 is a rear elevational view thereof;

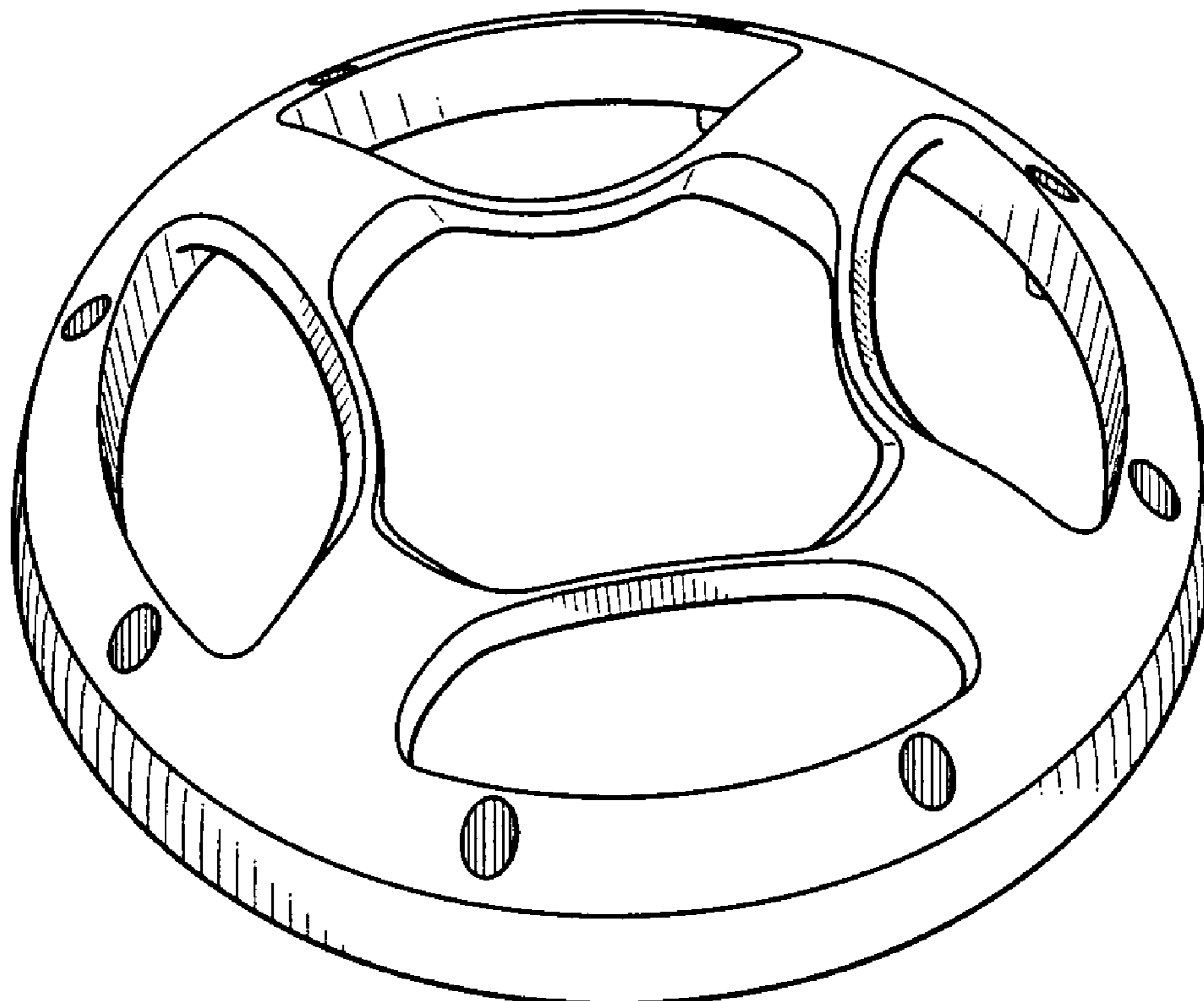
FIG. 4 is a left side elevational view thereof;

FIG. 5 is a right side elevational view thereof; and

FIG. 6 is a top plan view thereof; and,

FIG. 7 is a bottom view thereof.

1 Claim, 3 Drawing Sheets



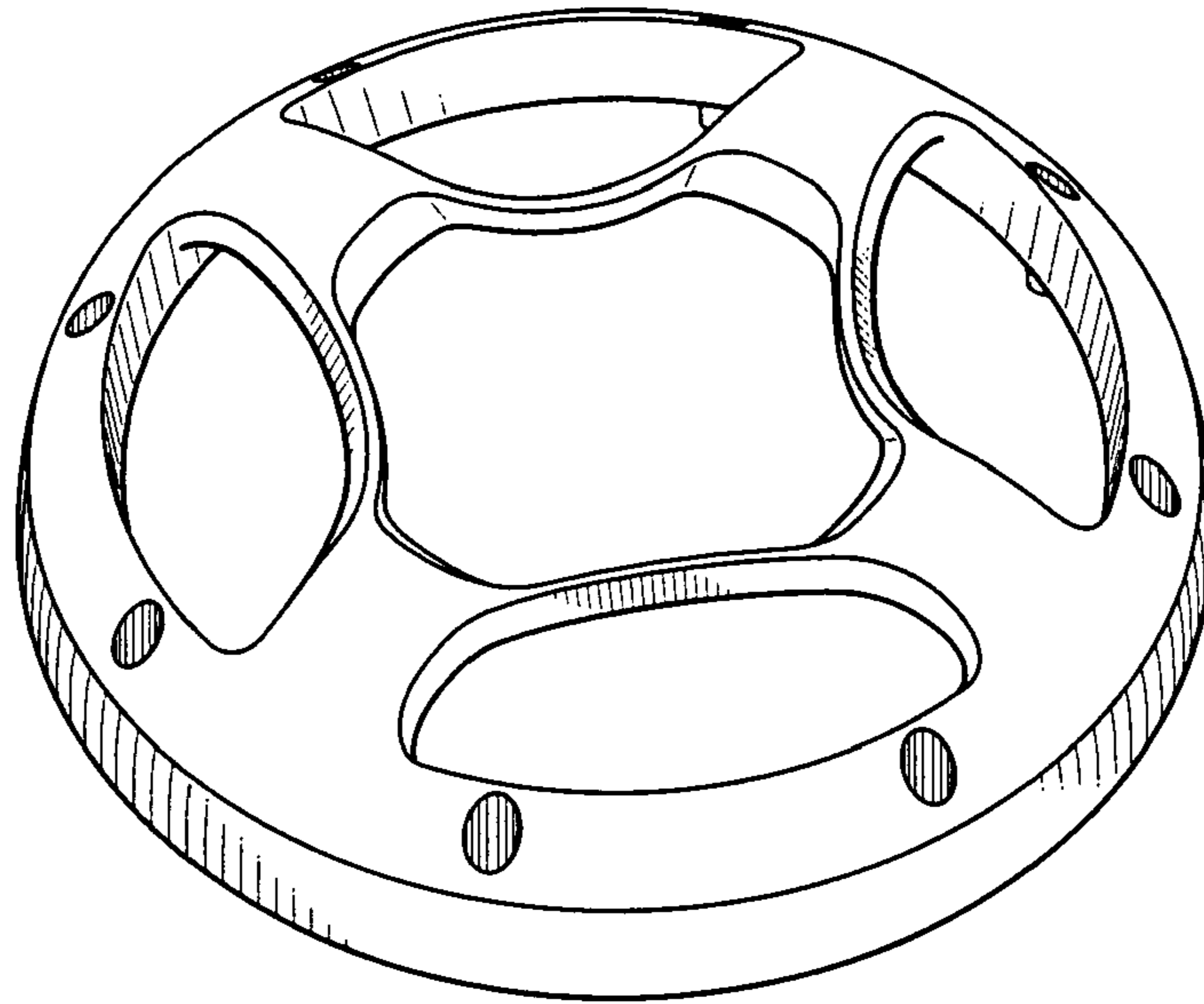


FIG. 1

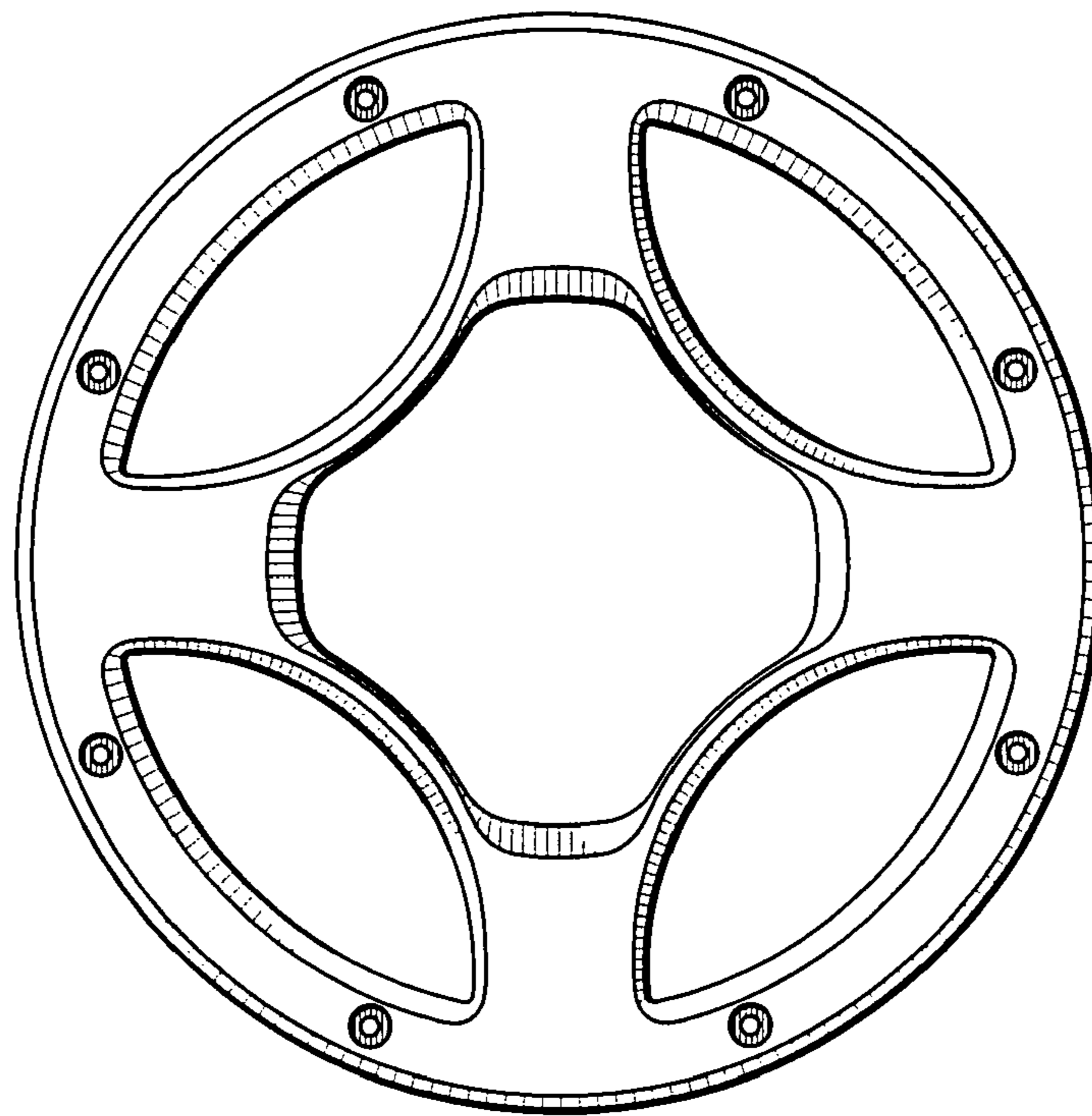


FIG. 2

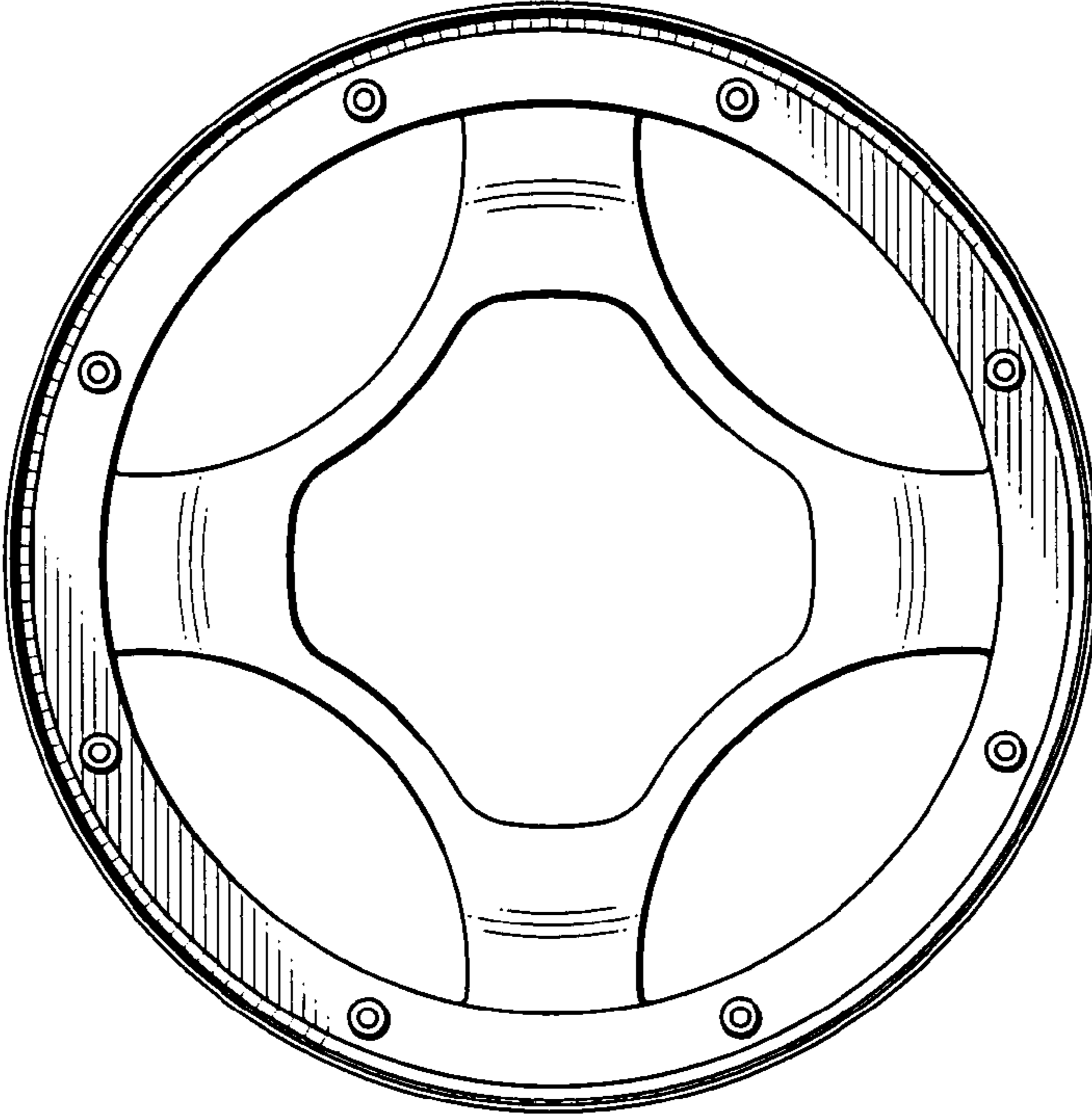


FIG. 3

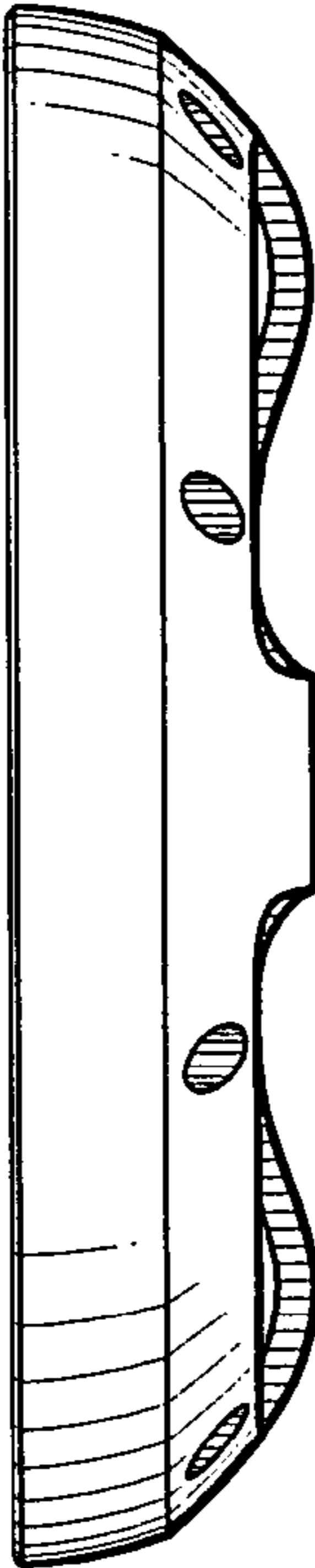


FIG. 4

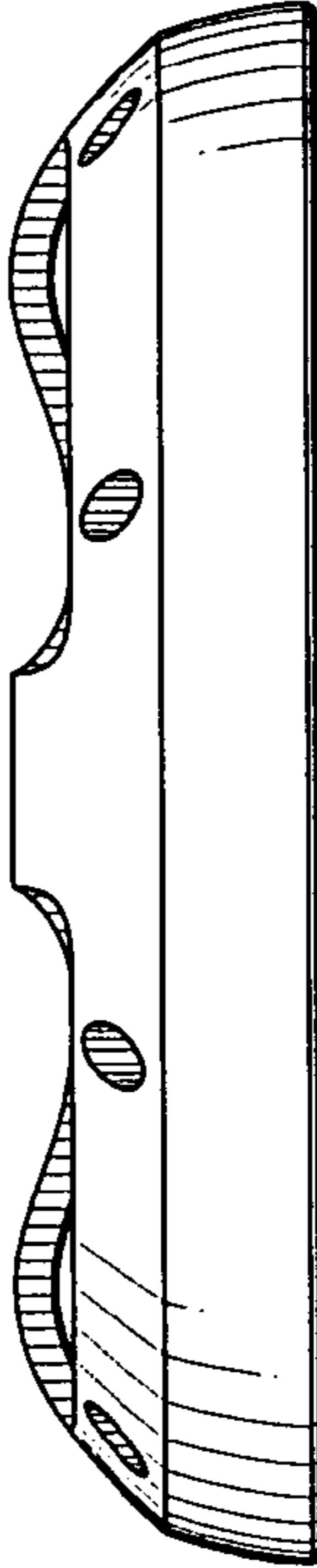


FIG. 5

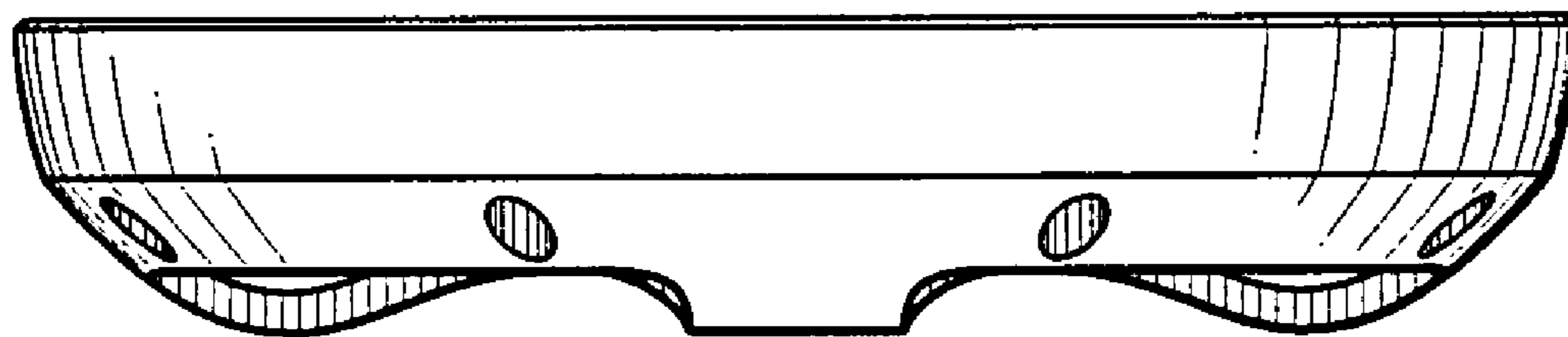


FIG. 6

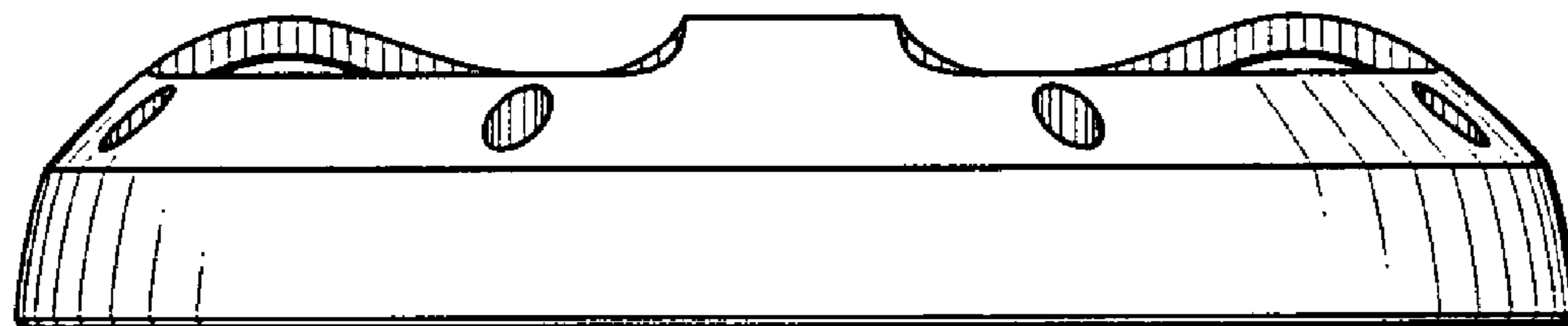


FIG. 7