



US00D572239S

(12) **United States Design Patent**
Hoehn et al.

(10) **Patent No.:** **US D572,239 S**

(45) **Date of Patent:** **** Jul. 1, 2008**

(54) **REMOTE CONTROL**

(75) Inventors: **Holger Hoehn**, Taipei (TW); **Reinier Bloem**, Taipei (TW)

(73) Assignee: **Hannspree Inc.**, Taipei (TW)

(**) Term: **14 Years**

(21) Appl. No.: **29/290,072**

(22) Filed: **Oct. 17, 2007**

(51) **LOC (8) Cl.** **14-03**

(52) **U.S. Cl.** **D14/218**

(58) **Field of Classification Search** D14/218,
D14/455, 138; D13/168; D21/566, 572,
D21/273, 574, 575, 578; D10/104, 106;
345/169; 348/14.05, 114, 211.99, 734; 455/92,
455/151.1-151.4, 352, 355, FOR. 121; 700/65;
901/1; 273/440.1

See application file for complete search history.

(56) **References Cited**

U.S. PATENT DOCUMENTS

D251,628 S * 4/1979 McQuarrie et al. D21/578
D258,900 S * 4/1981 Lanusse D21/578

D293,344 S * 12/1987 Shiraishi D21/578
4,717,364 A * 1/1988 Furukawa 446/175
D353,323 S * 12/1994 Meng D9/620
D450,788 S * 11/2001 Kawasaki D21/578
D531,992 S * 11/2006 Hoehn et al. D14/218

* cited by examiner

Primary Examiner—Louis S Zarfaz

Assistant Examiner—John Windmuller

(74) *Attorney, Agent, or Firm*—Bacon & Thomas, PLLC

(57) **CLAIM**

The ornamental design for a remote control, as shown.

DESCRIPTION

FIG. 1 is a perspective view of a remote control showing our new design;

FIG. 2 is a front elevational view thereof;

FIG. 3 is a rear elevational view thereof;

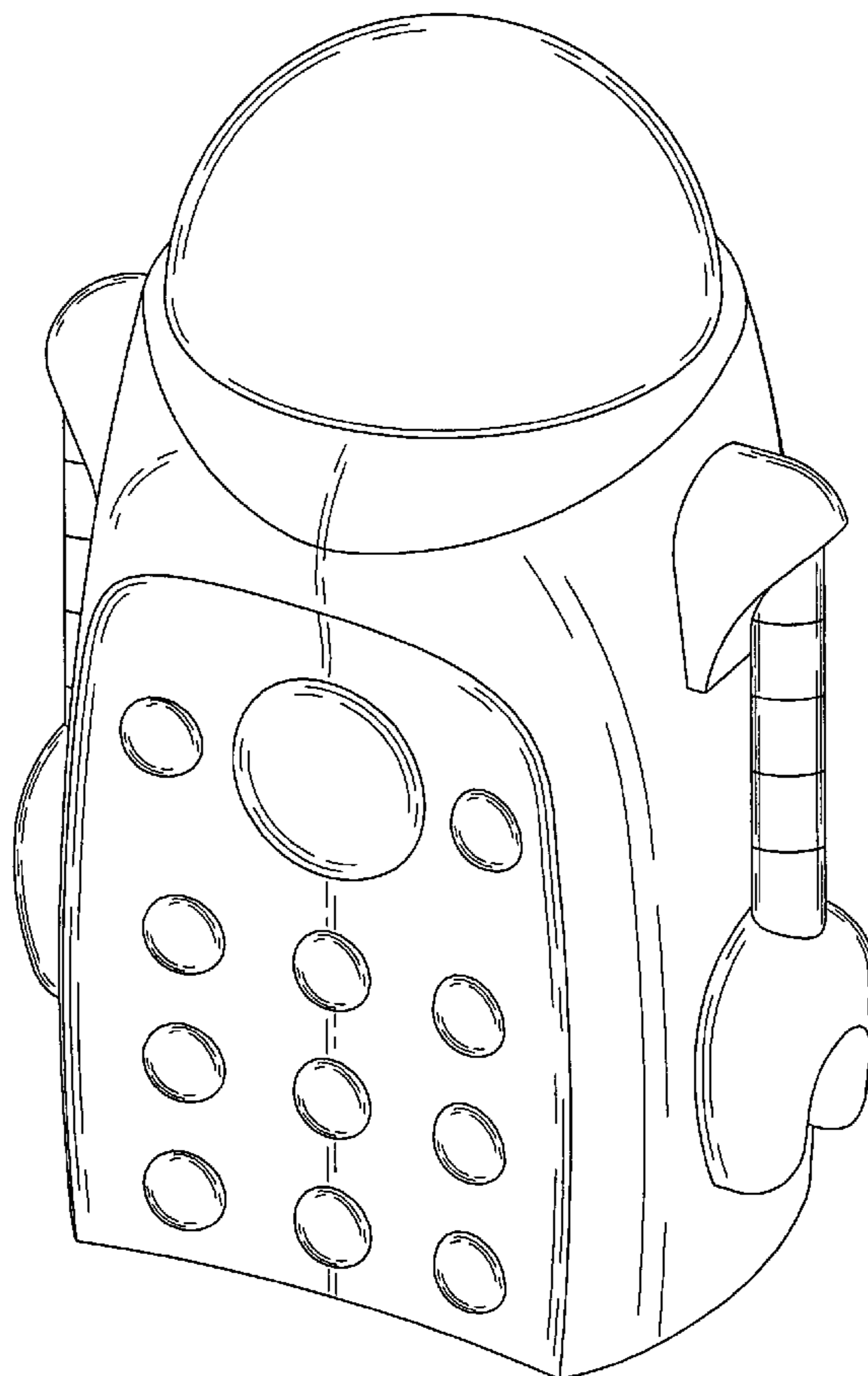
FIG. 4 is a left side elevational view thereof;

FIG. 5 is a right side elevational view thereof;

FIG. 6 is a top plan view thereof; and,

FIG. 7 is a bottom plan view thereof.

1 Claim, 6 Drawing Sheets



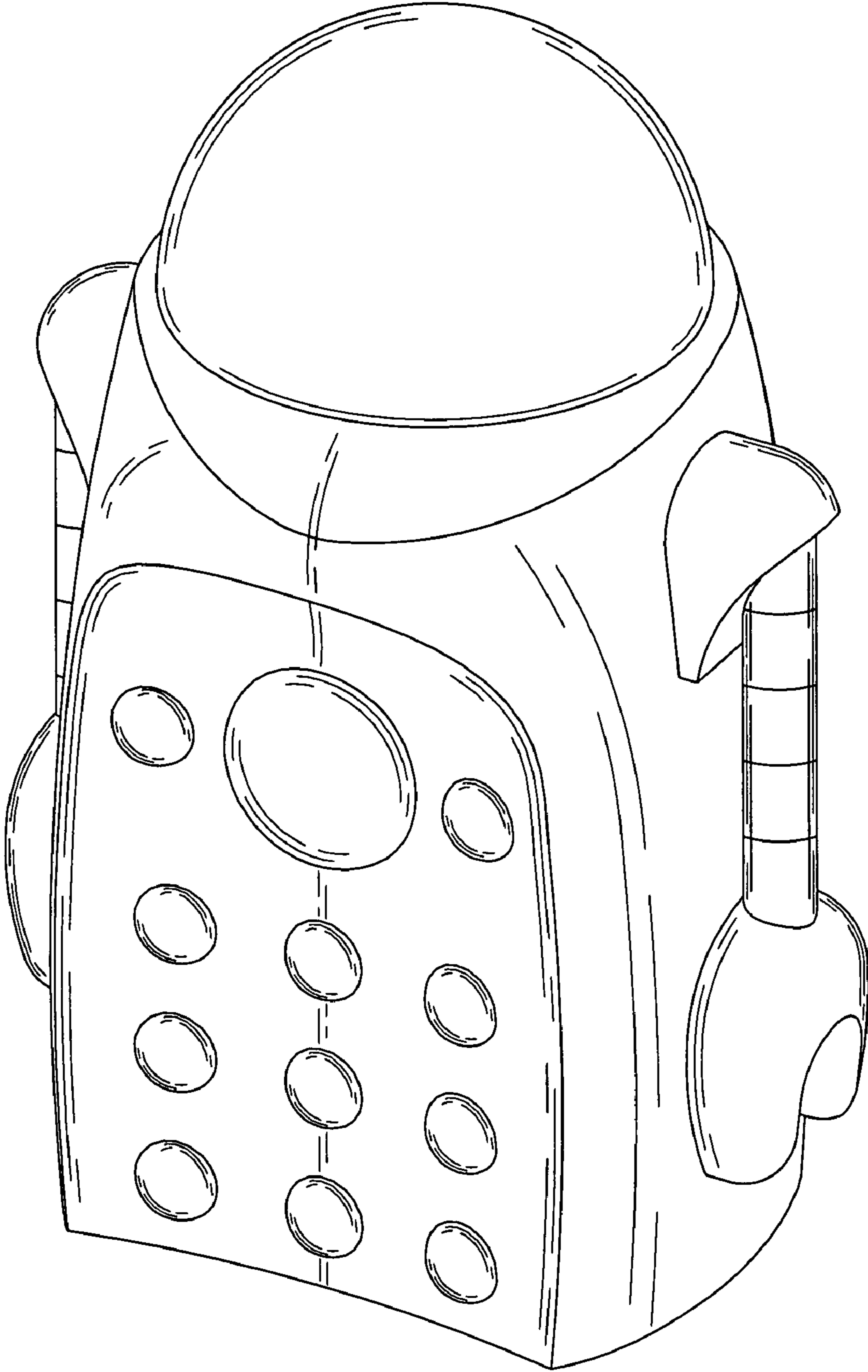


FIG. 1

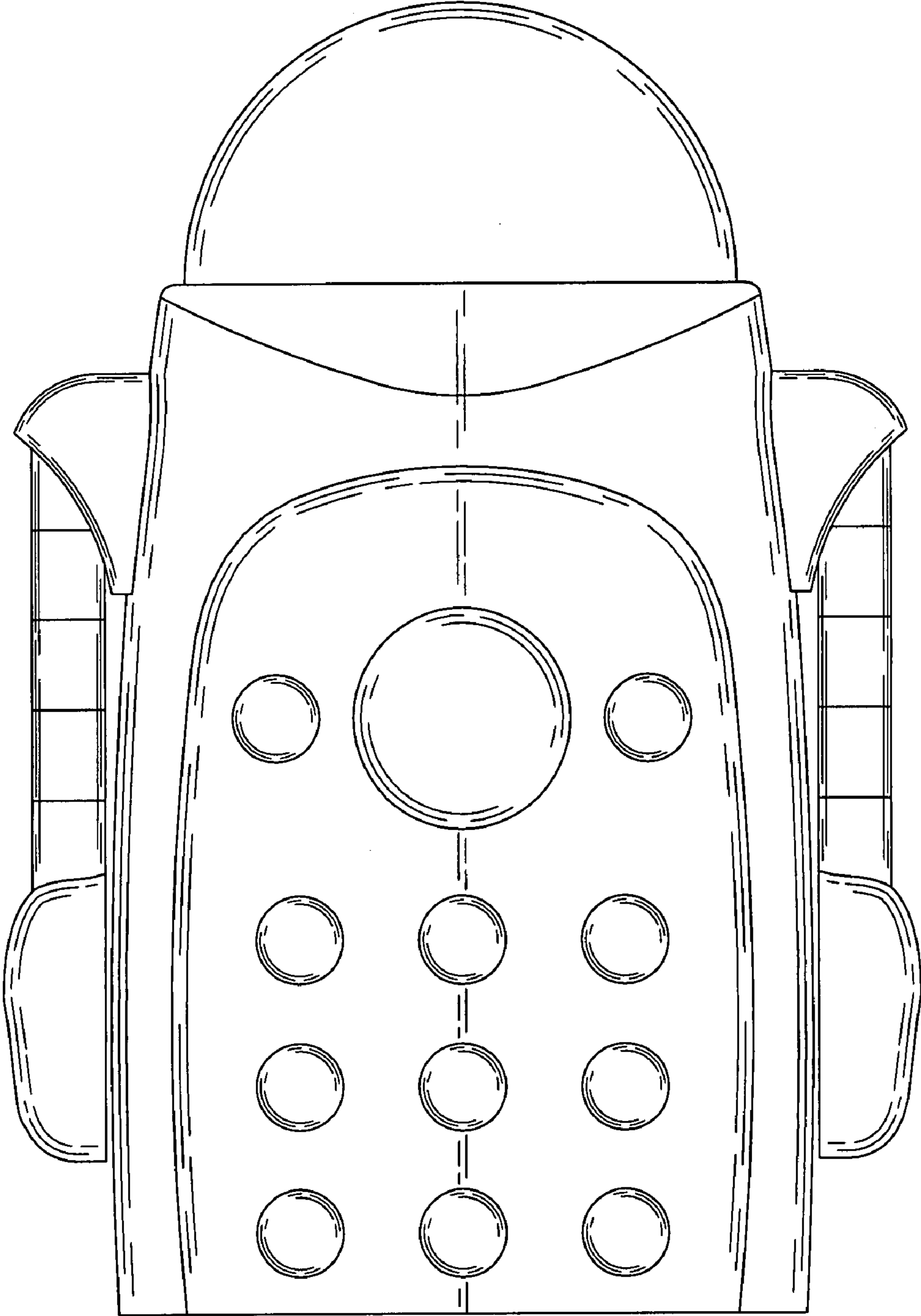


FIG. 2

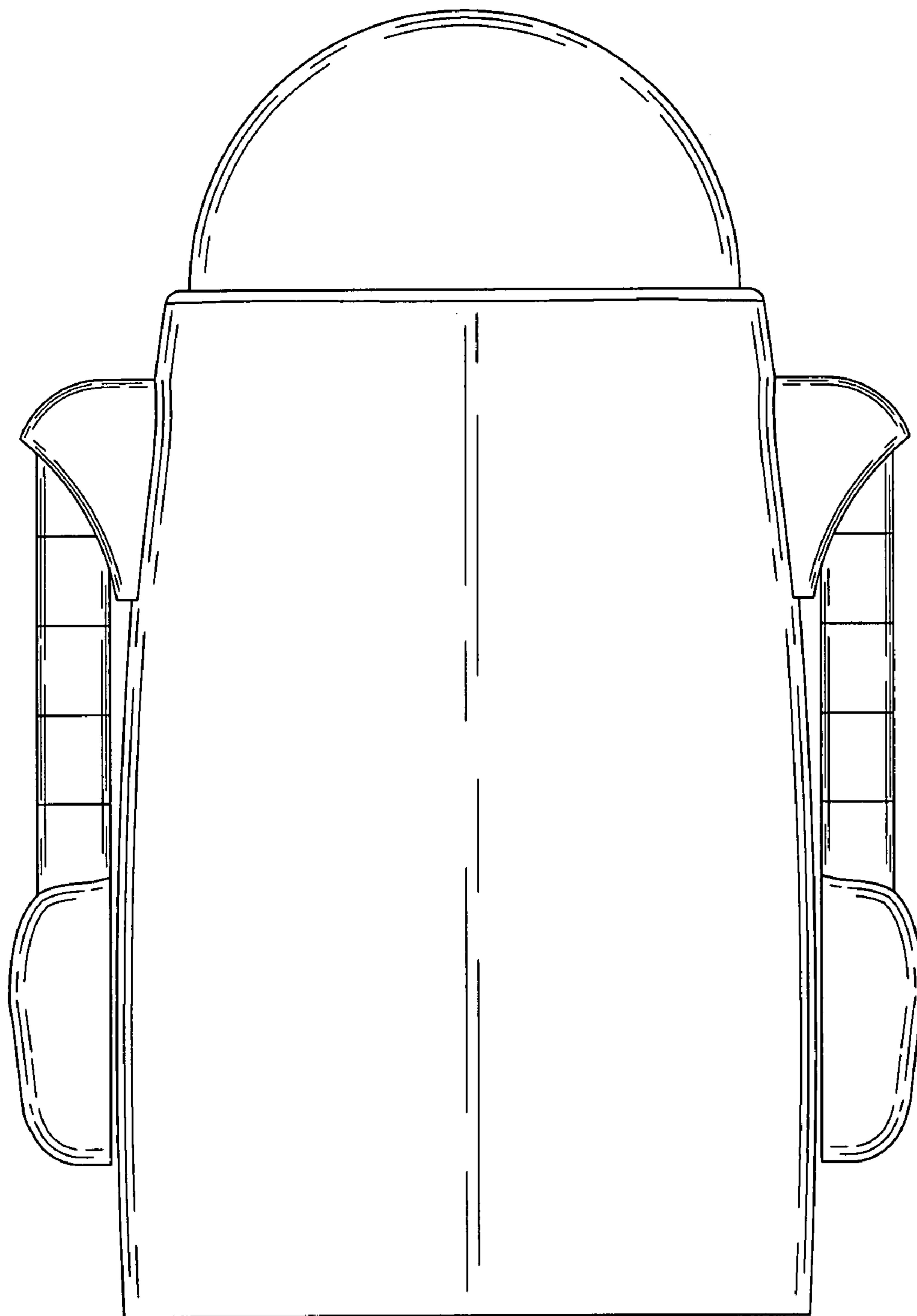


FIG. 3

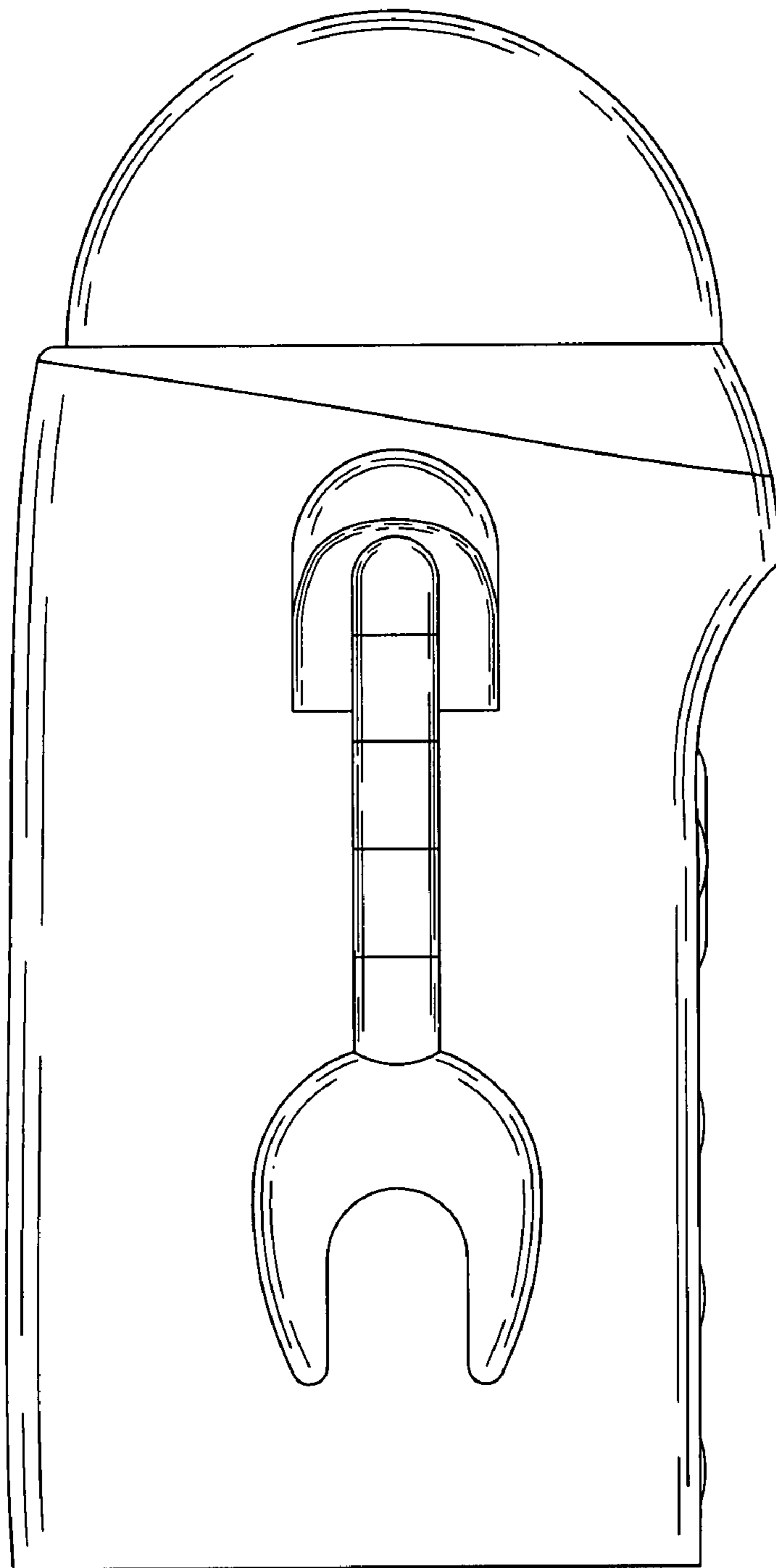


FIG. 4

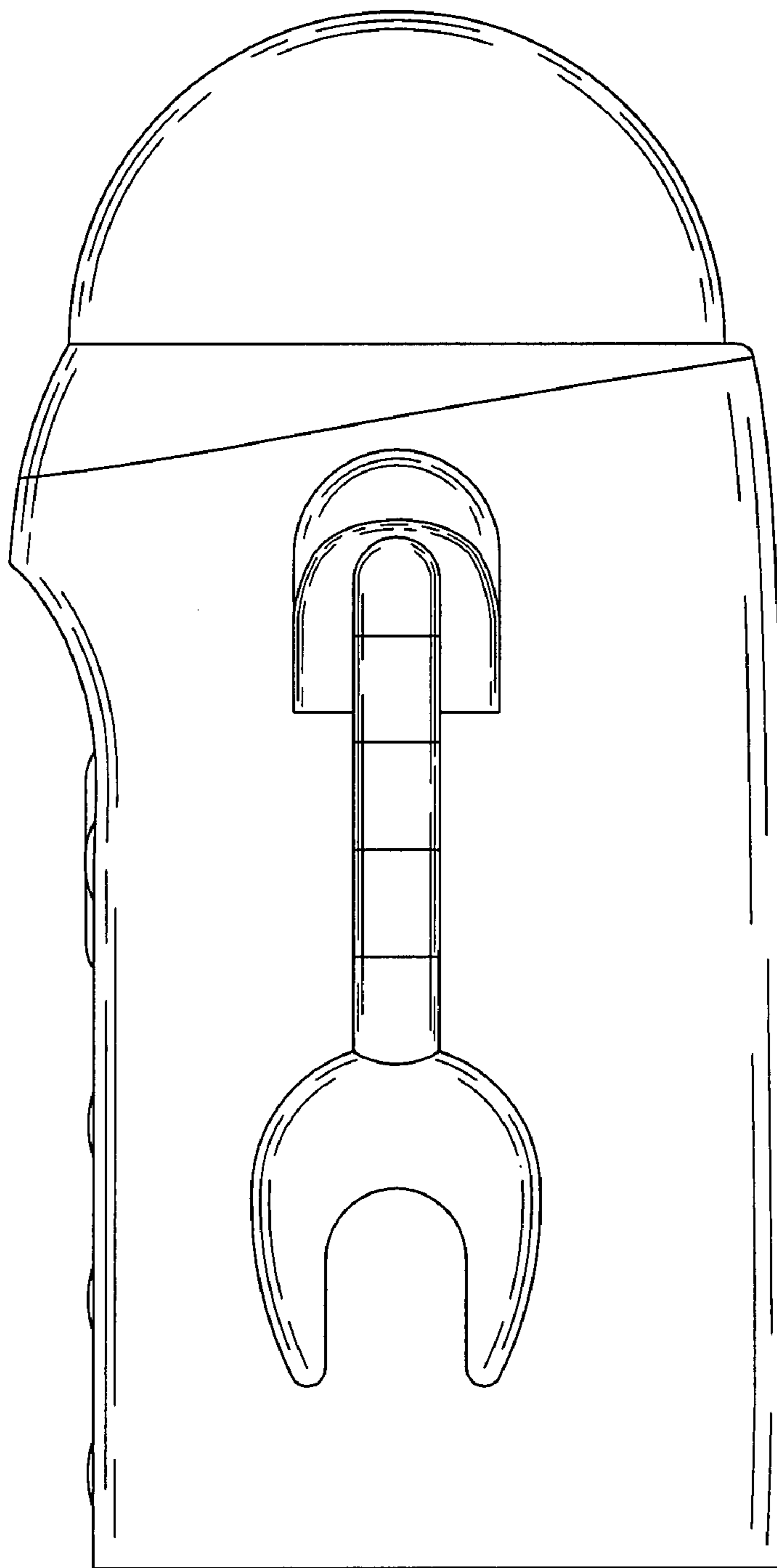


FIG. 5

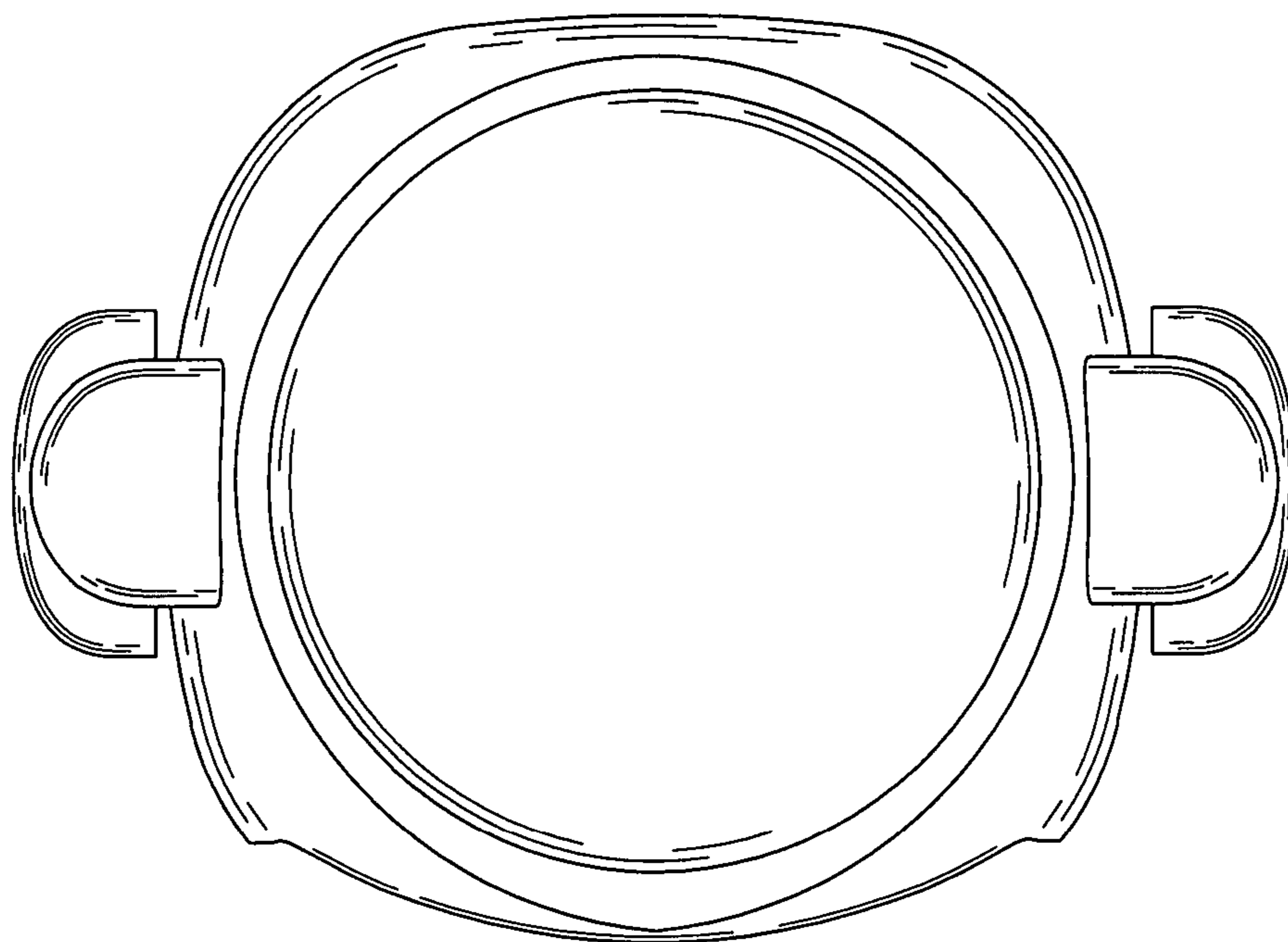


FIG. 6

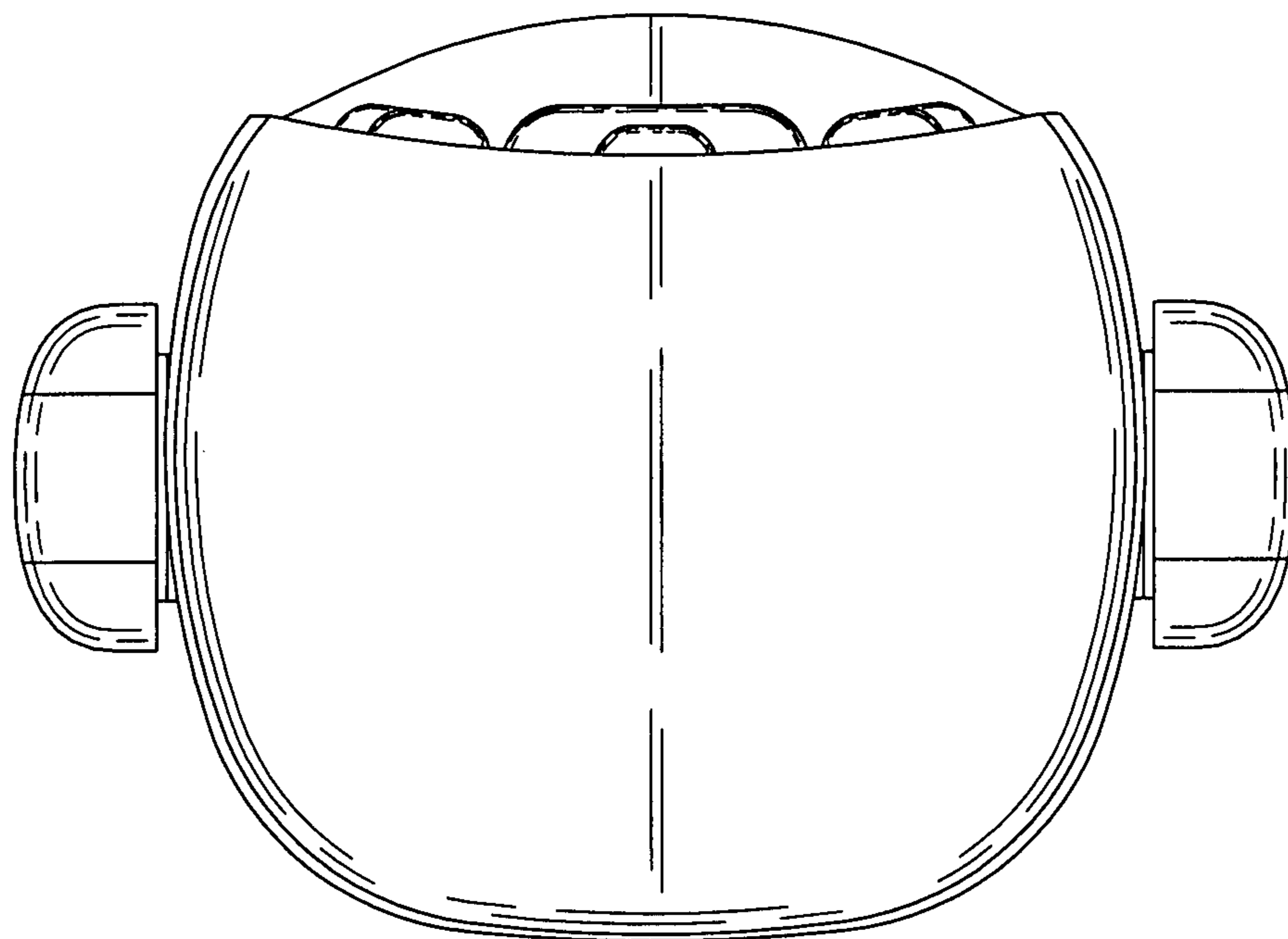


FIG. 7