



US00D572238S

(12) **United States Design Patent**
Fujiwara et al.

(10) **Patent No.:** **US D572,238 S**
(45) **Date of Patent:** **** Jul. 1, 2008**

(54) **SPEAKER**

(75) Inventors: **Satoru Fujiwara**, Yao (JP); **Masahide Suzuki**, Yao (JP); **Yuka Nagata**, Yao (JP); **Masahito Fukada**, Yao (JP)

(73) Assignee: **Hosiden Corporation**, Osaka (JP)

(**) Term: **14 Years**

(21) Appl. No.: **29/277,668**

(22) Filed: **Mar. 6, 2007**

(30) **Foreign Application Priority Data**

Oct. 25, 2006 (JP) 2006-029121
Oct. 25, 2006 (JP) 2006-029122

(51) **LOC (8) Cl.** **14-01**

(52) **U.S. Cl.** **D14/216**

(58) **Field of Classification Search** D14/204,
D14/207, 210–216, 172; 181/143–144, 147–148,
181/150–153, 157, 198–199; 381/300–303,
381/306, 332–333, 336, 345, 361–364, 386–388
See application file for complete search history.

(56) **References Cited**

U.S. PATENT DOCUMENTS

D334,935 S * 4/1993 Goto D14/216
D446,785 S * 8/2001 Ohta D14/216
D483,741 S * 12/2003 Olson et al. D14/216
D534,899 S * 1/2007 Shimokawatoko et al. . D14/216

* cited by examiner

Primary Examiner—Nanda Bondade

(74) *Attorney, Agent, or Firm*—Panitch Schwarze Belisario & Nadel LLP

(57) **CLAIM**

The ornamental design for a speaker, as shown and described.

DESCRIPTION

FIG. 1 is a front, right and bottom perspective view of a speaker in accordance with a first embodiment of our new design;

FIG. 2 is a rear, right and bottom perspective view thereof;

FIG. 3 is a front elevation view thereof;

FIG. 4 is a rear elevation view thereof;

FIG. 5 is a left side elevation view thereof;

FIG. 6 is a right side elevation view thereof;

FIG. 7 is a top plan view thereof;

FIG. 8 is a bottom plan view thereof.

FIG. 9 is a front, right and bottom perspective view of a speaker in accordance with a second embodiment of our new design;

FIG. 10 is a rear, right and bottom perspective view thereof;

FIG. 11 is a front elevation view thereof;

FIG. 12 is a rear elevation view thereof;

FIG. 13 is a left side elevation view thereof;

FIG. 14 is a right side elevation view thereof;

FIG. 15 is a top plan view thereof; and,

FIG. 16 is a bottom plan view thereof.

1 Claim, 6 Drawing Sheets

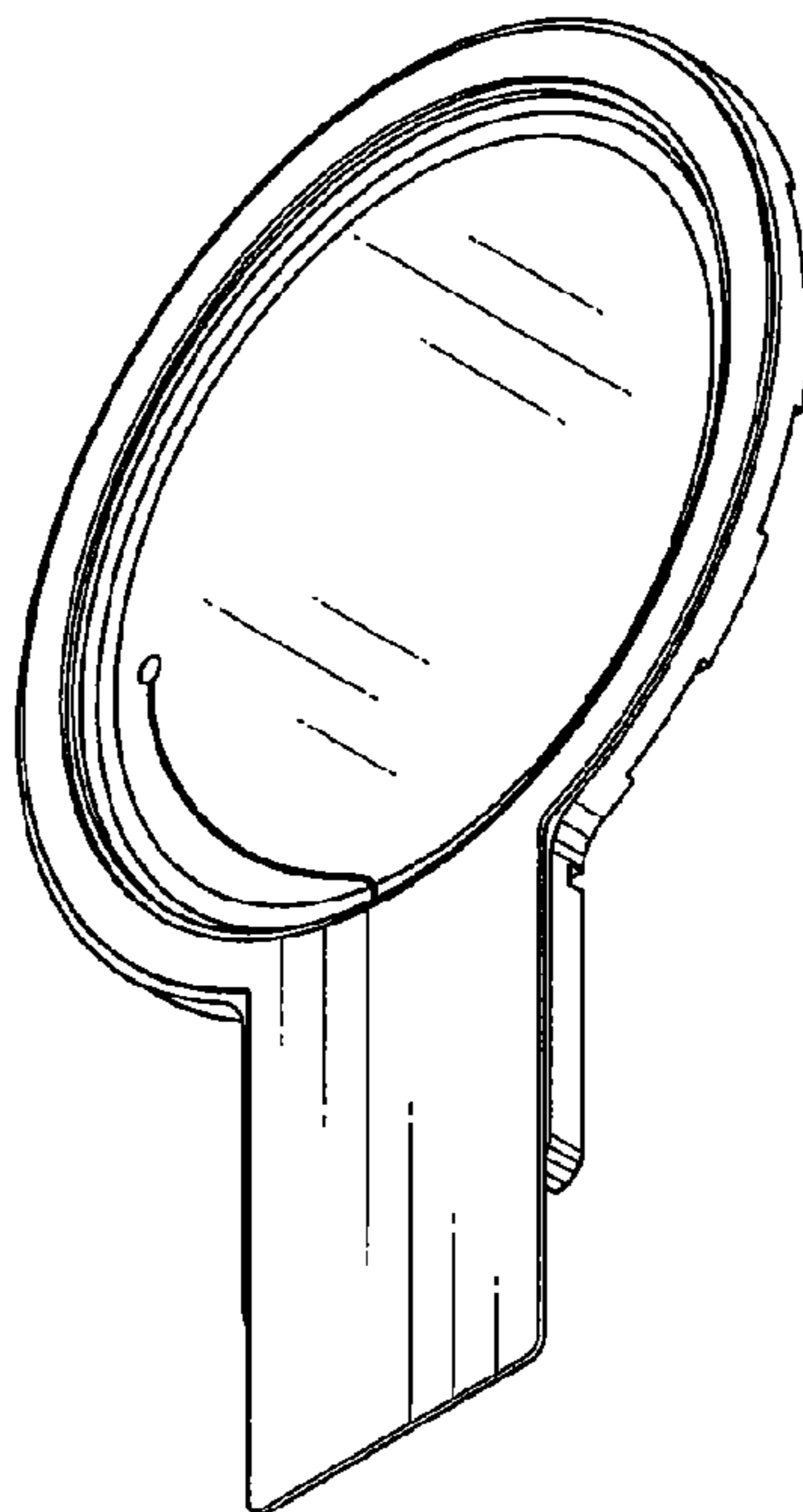


Fig. 1

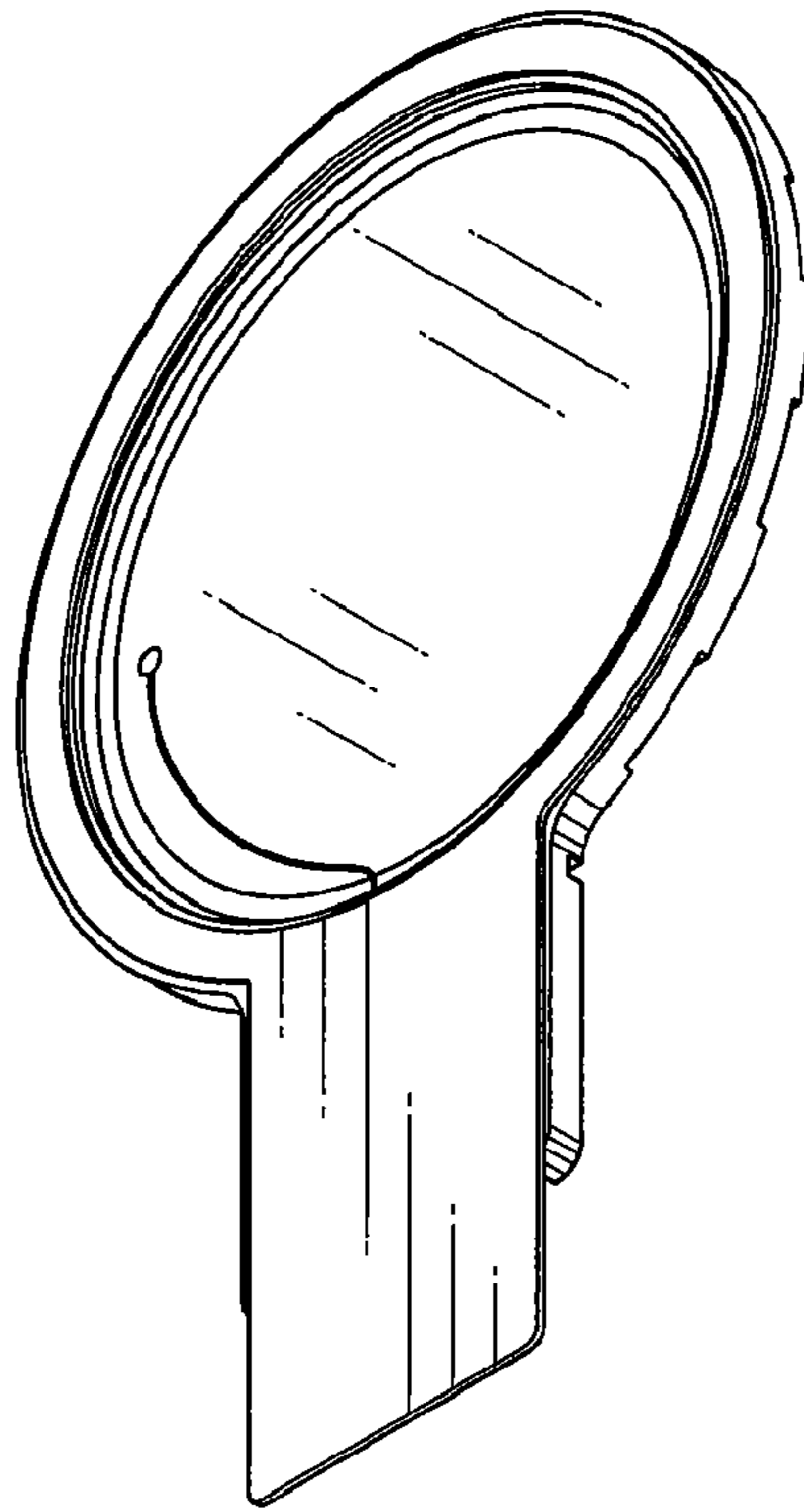


Fig. 2

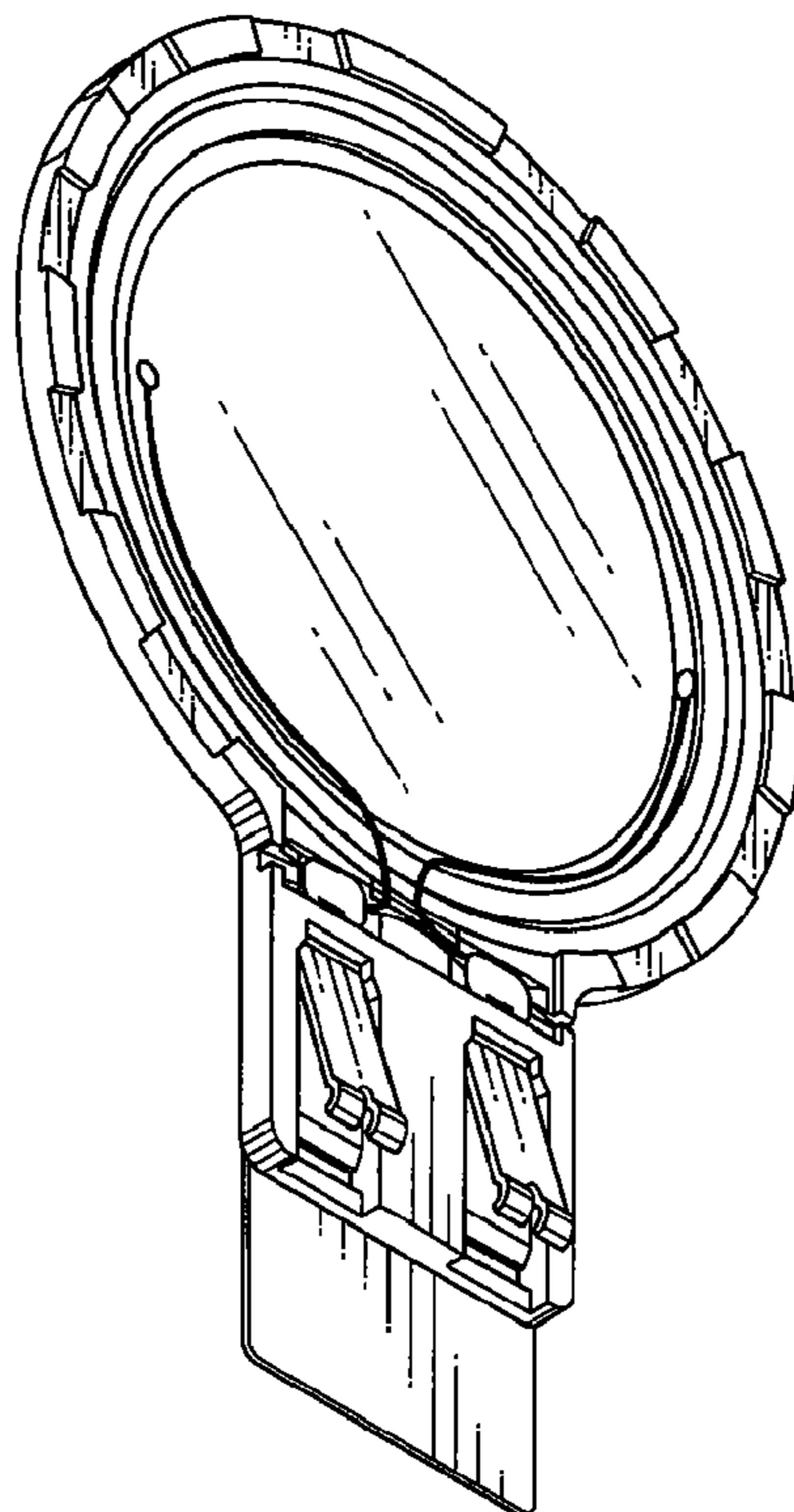


Fig. 3

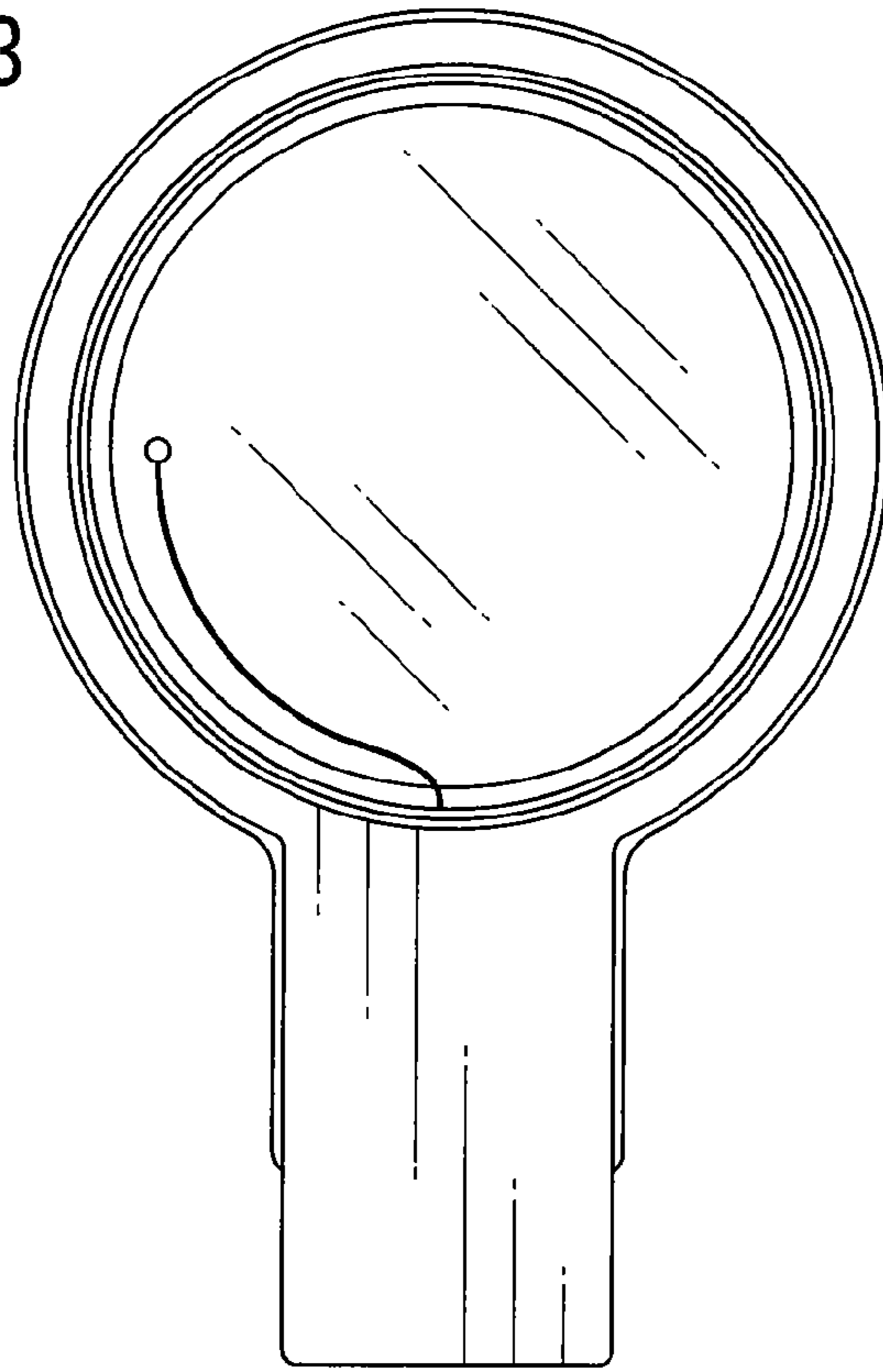


Fig. 4

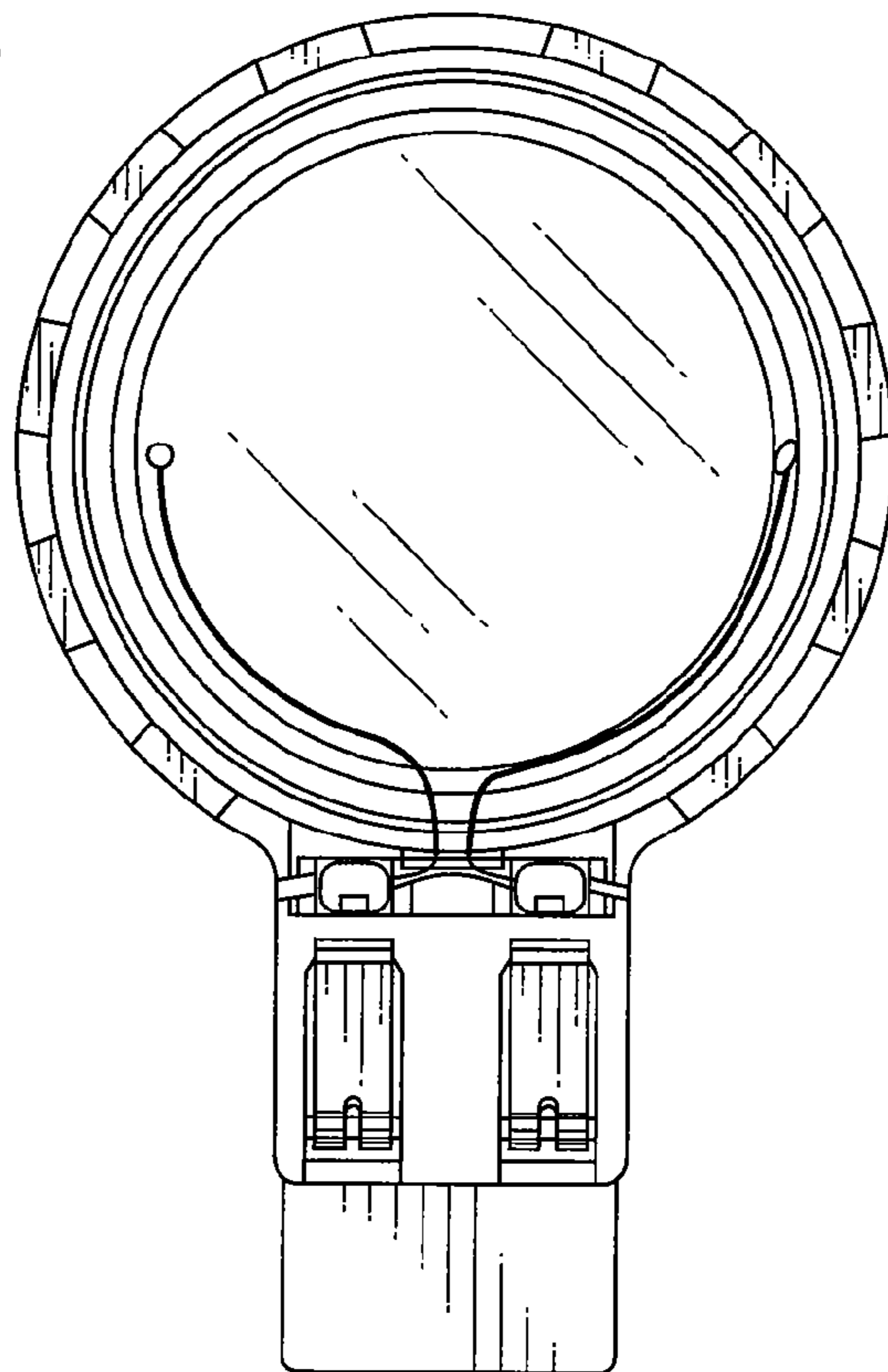


Fig. 5

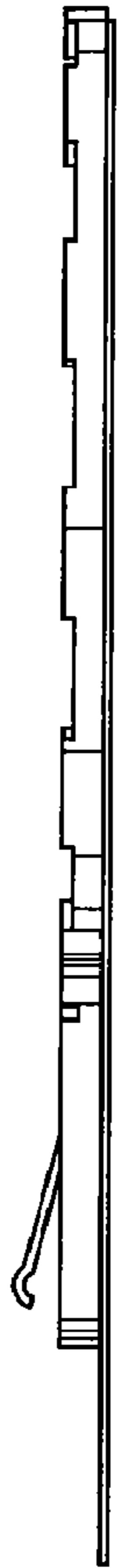


Fig. 6

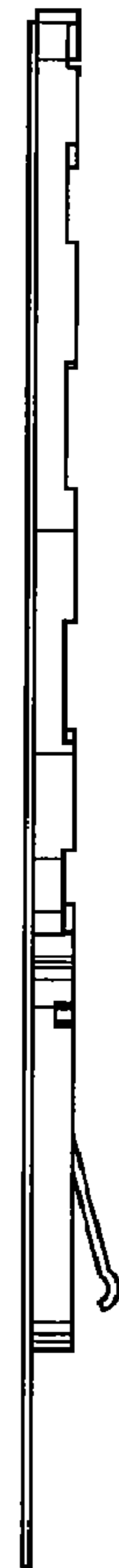


Fig. 7

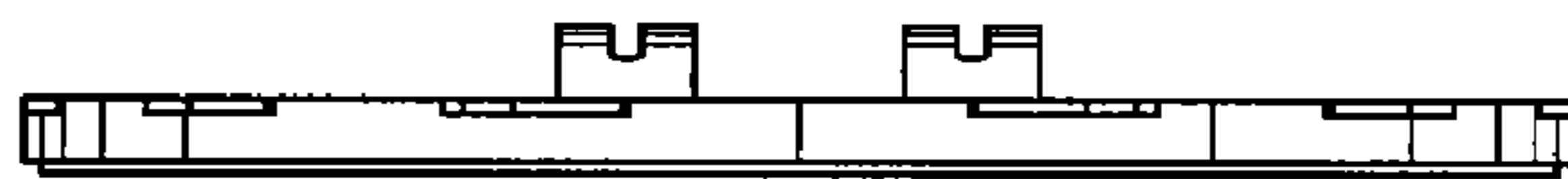


Fig. 8



Fig. 9

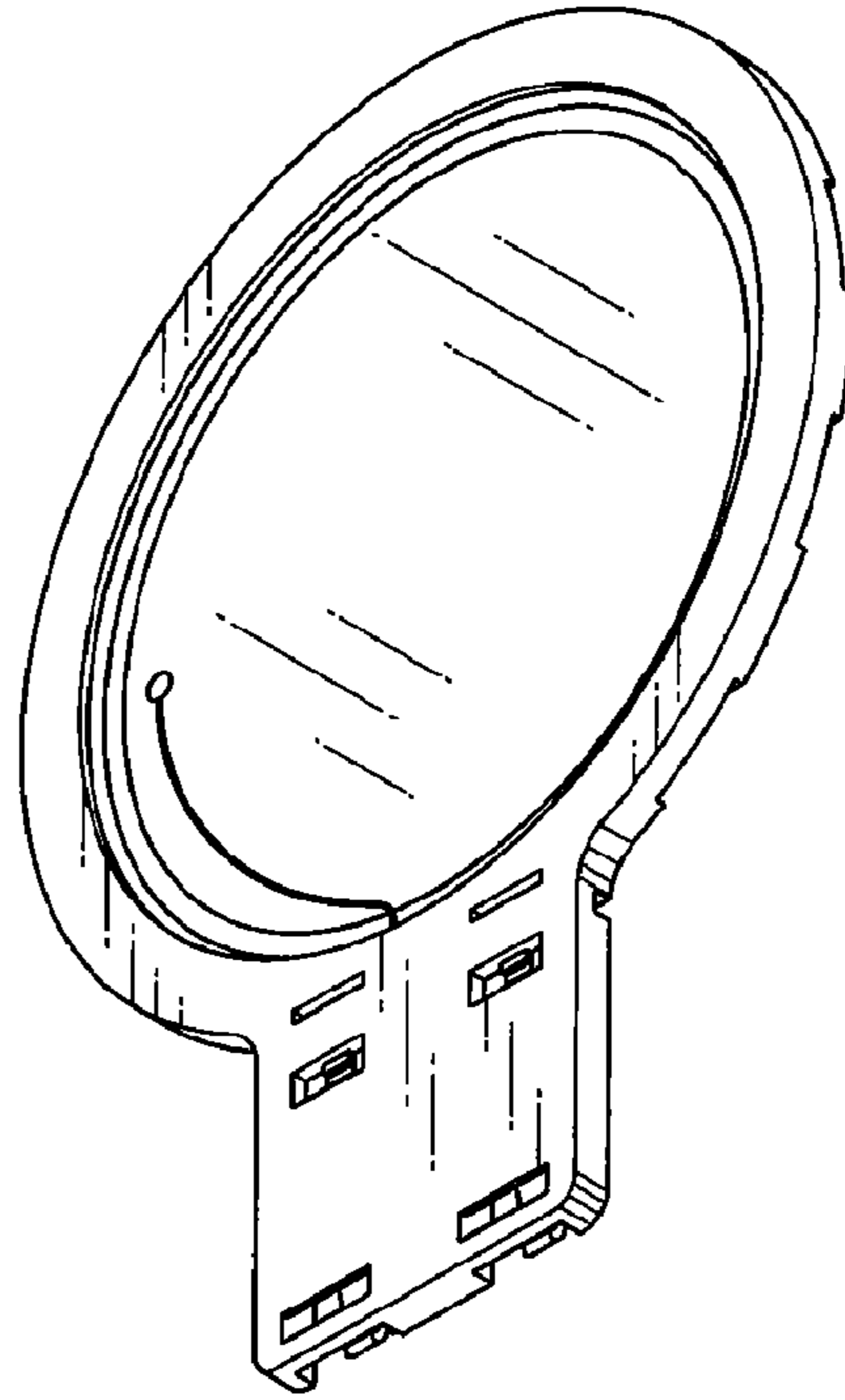


Fig. 10

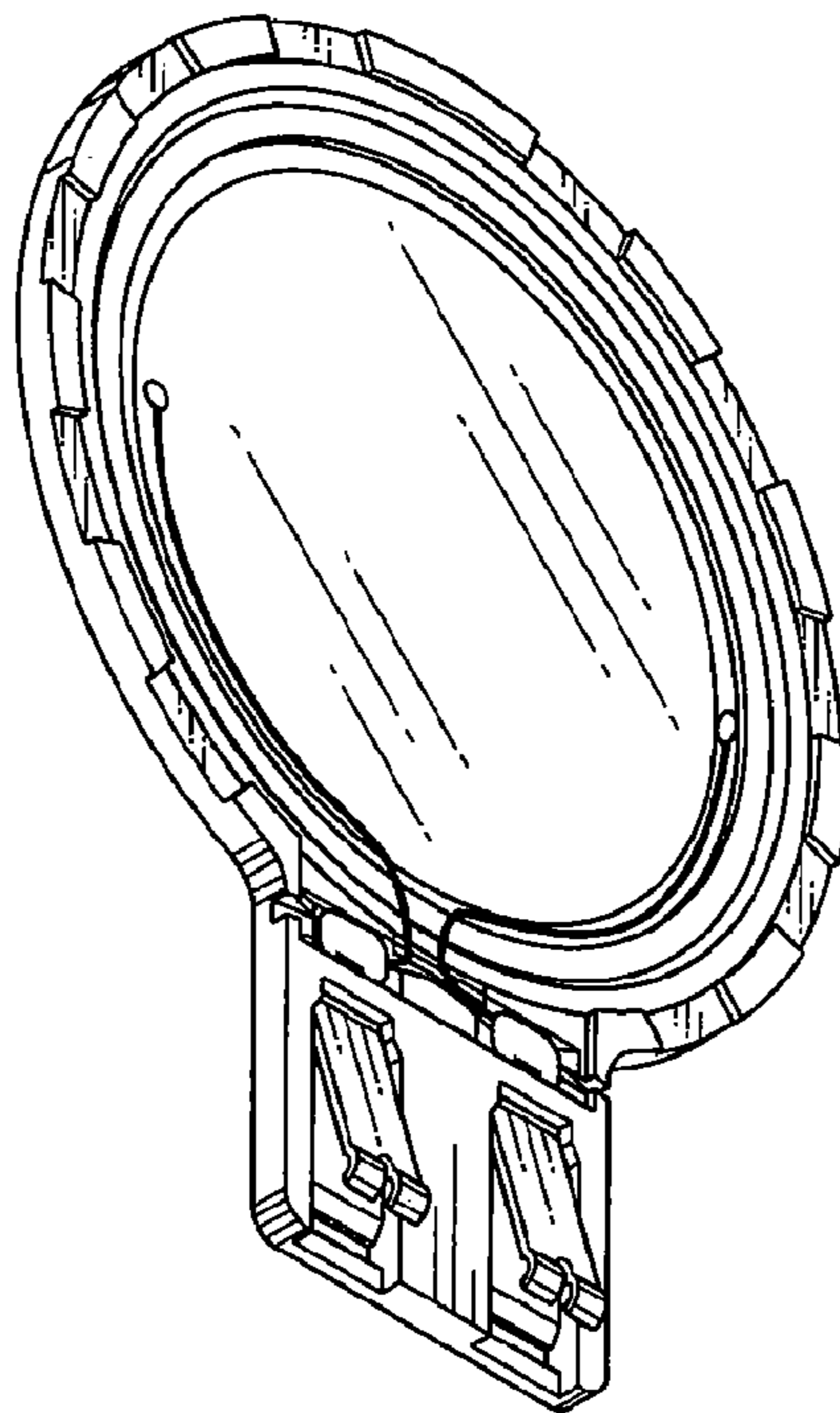


Fig. 11

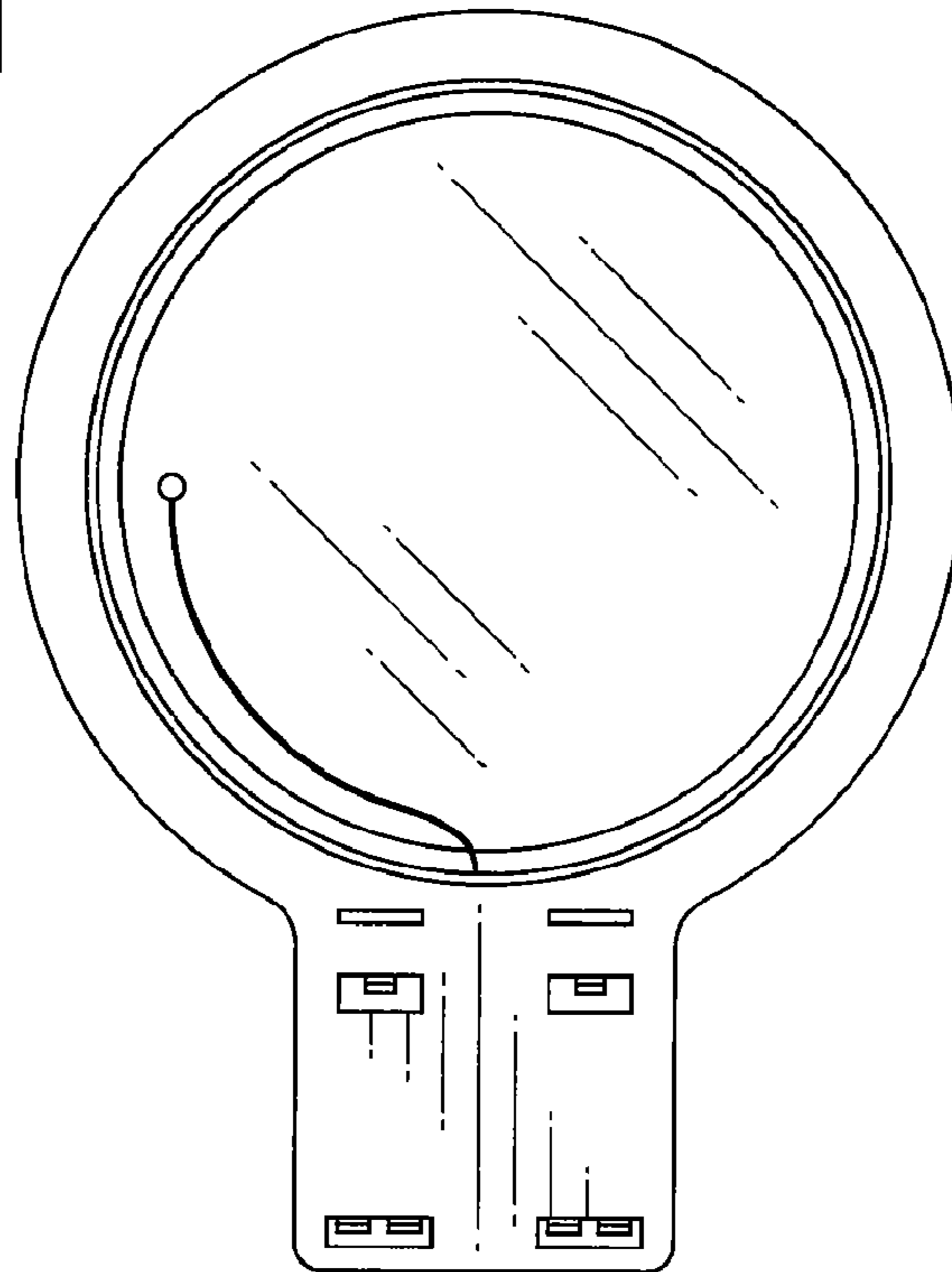


Fig. 12



Fig. 13



Fig. 14

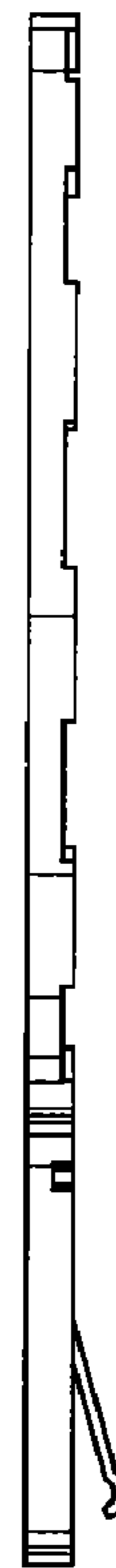


Fig. 15



Fig. 16

