



US00D572237S

(12) **United States Design Patent**
Hsiung

(10) **Patent No.:** **US D572,237 S**
(45) **Date of Patent:** **** Jul. 1, 2008**

(54) **MULTI-FUNCTIONAL WIRELESS
LOUDSPEAKER**

D513,612 S * 1/2006 Harris et al. D14/168
D514,545 S * 2/2006 Watanabe D14/168
D517,040 S * 3/2006 Hasegawa et al. D14/168

(75) Inventor: **Chen Kuo Hsiung**, Laguna (HK)

* cited by examiner

(73) Assignee: **Silicon Pyramid Electron, Ltd.**,
Guangzhou (CN)

Primary Examiner—Nanda Bondade
(74) *Attorney, Agent, or Firm*—Much Shelist

(**) Term: **14 Years**

(57) **CLAIM**

(21) Appl. No.: **29/246,760**

The ornamental design for a multi-functional wireless loudspeaker, as shown and described.

(22) Filed: **May 8, 2006**

(30) **Foreign Application Priority Data**

Feb. 10, 2006 (CN) 2006 3 0052213

(51) **LOC (8) Cl.** **14-01**

(52) **U.S. Cl.** **D14/214; D14/168**

(58) **Field of Classification Search** D14/204,
D14/209–216, 168, 156, 171–172; 181/143–144,
181/147–148, 150, 157, 198–199, 151, 153;
381/300–302, 306, 333, 345, 361–364, 386–388,
381/332, 336

See application file for complete search history.

(56) **References Cited**

U.S. PATENT DOCUMENTS

D384,069 S * 9/1997 Kokkinis D14/171
D418,138 S * 12/1999 Miyazaki D14/214
D512,988 S * 12/2005 Green D14/214

DESCRIPTION

FIG. 1 is a top view of the loudspeaker.
FIG. 2 is a rear view of the loudspeaker.
FIG. 3 is a bottom view of the loudspeaker.
FIG. 4 is a front view of the loudspeaker.
FIG. 5 is a right side view of the loudspeaker.
FIG. 6 is a left side view of the loudspeaker.
FIG. 7 is a front perspective view of the loudspeaker.
FIG. 8 is a rear perspective view of the loudspeaker; and,
FIG. 9 is a front perspective view of the loudspeaker showing it in its state of use.

The broken line showing on the drawing disclosure is for illustrative purposes only and forms no part of the claimed design.

1 Claim, 6 Drawing Sheets

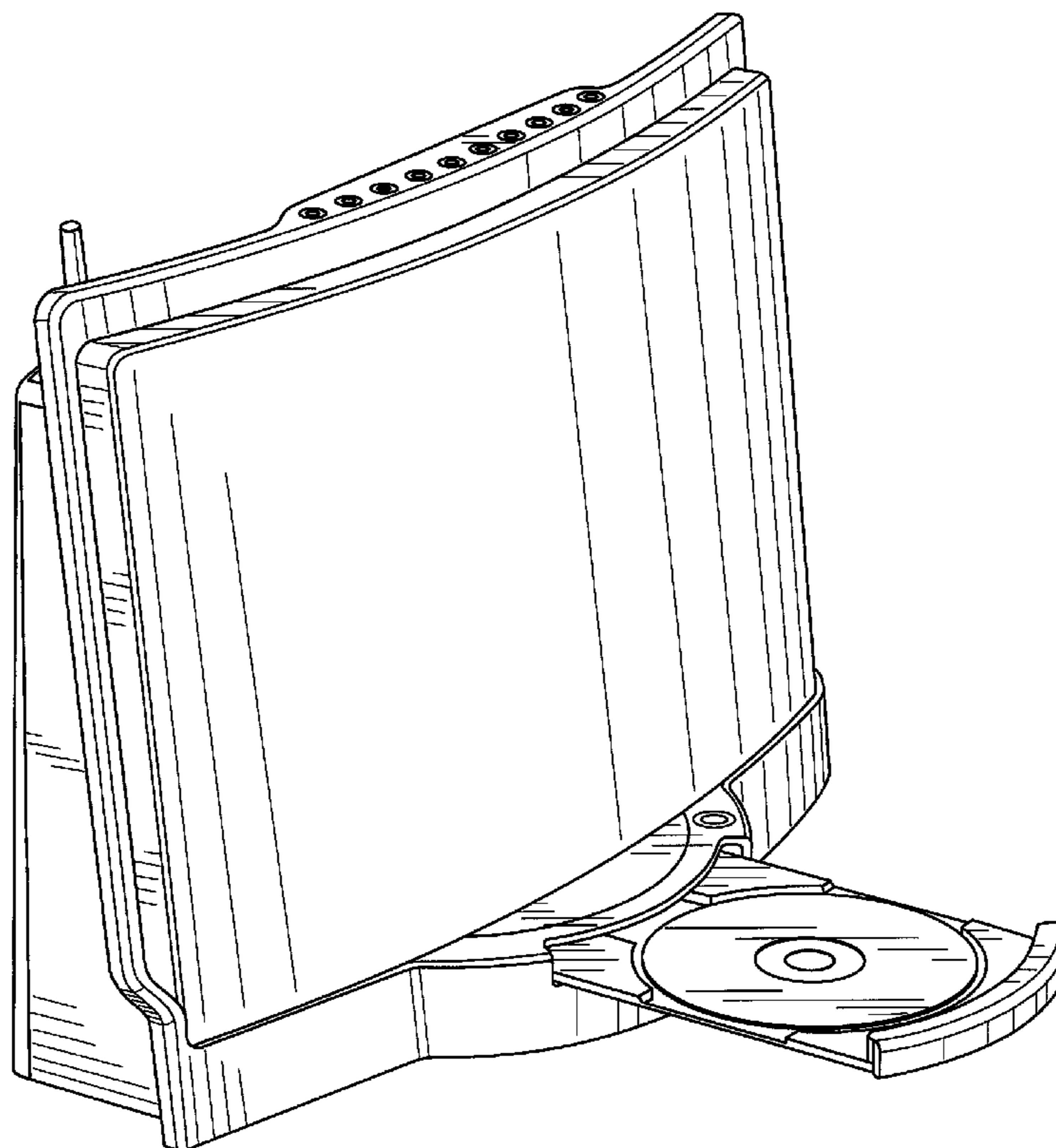


Fig. 1

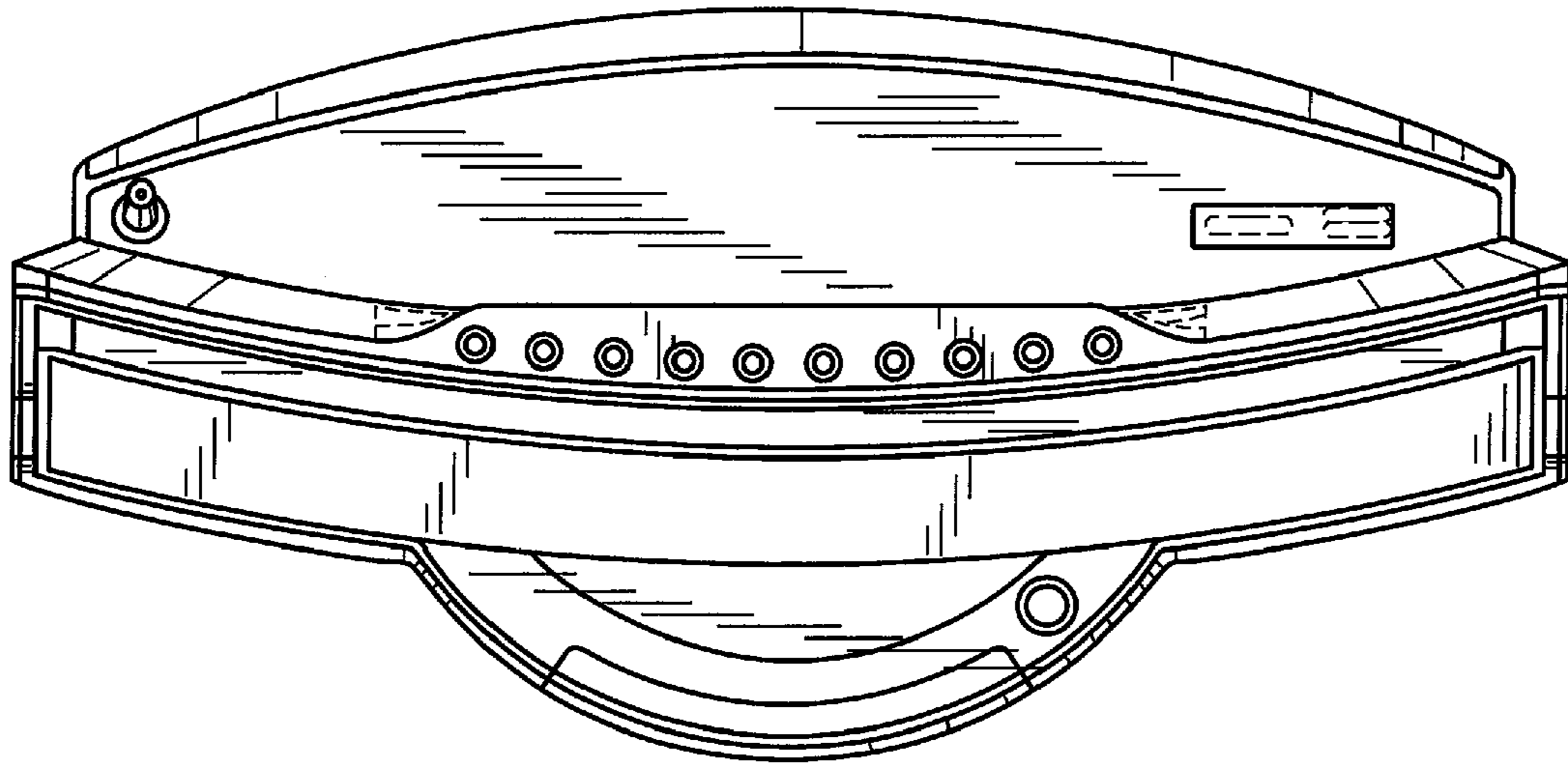


Fig. 2

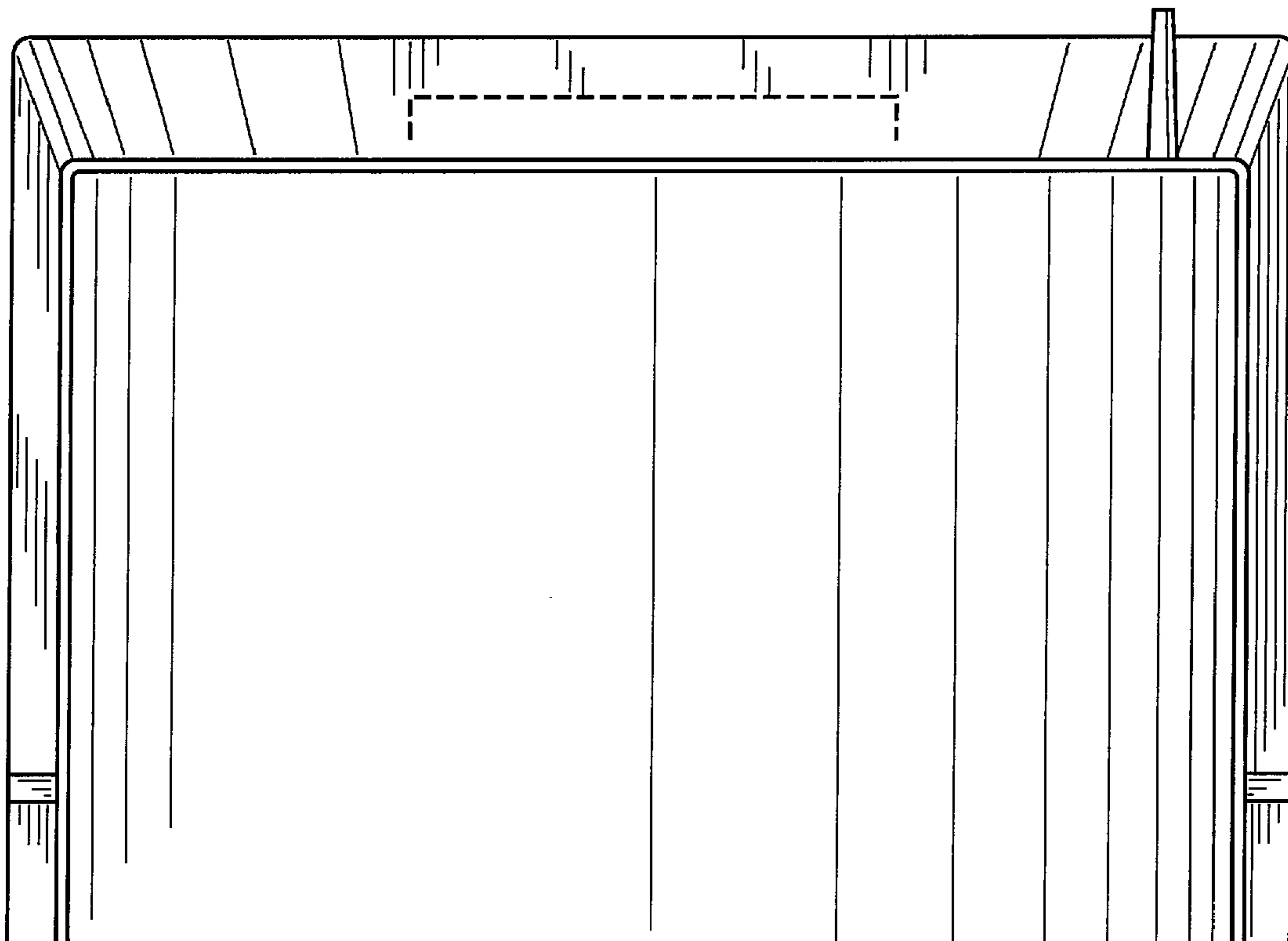


Fig. 3

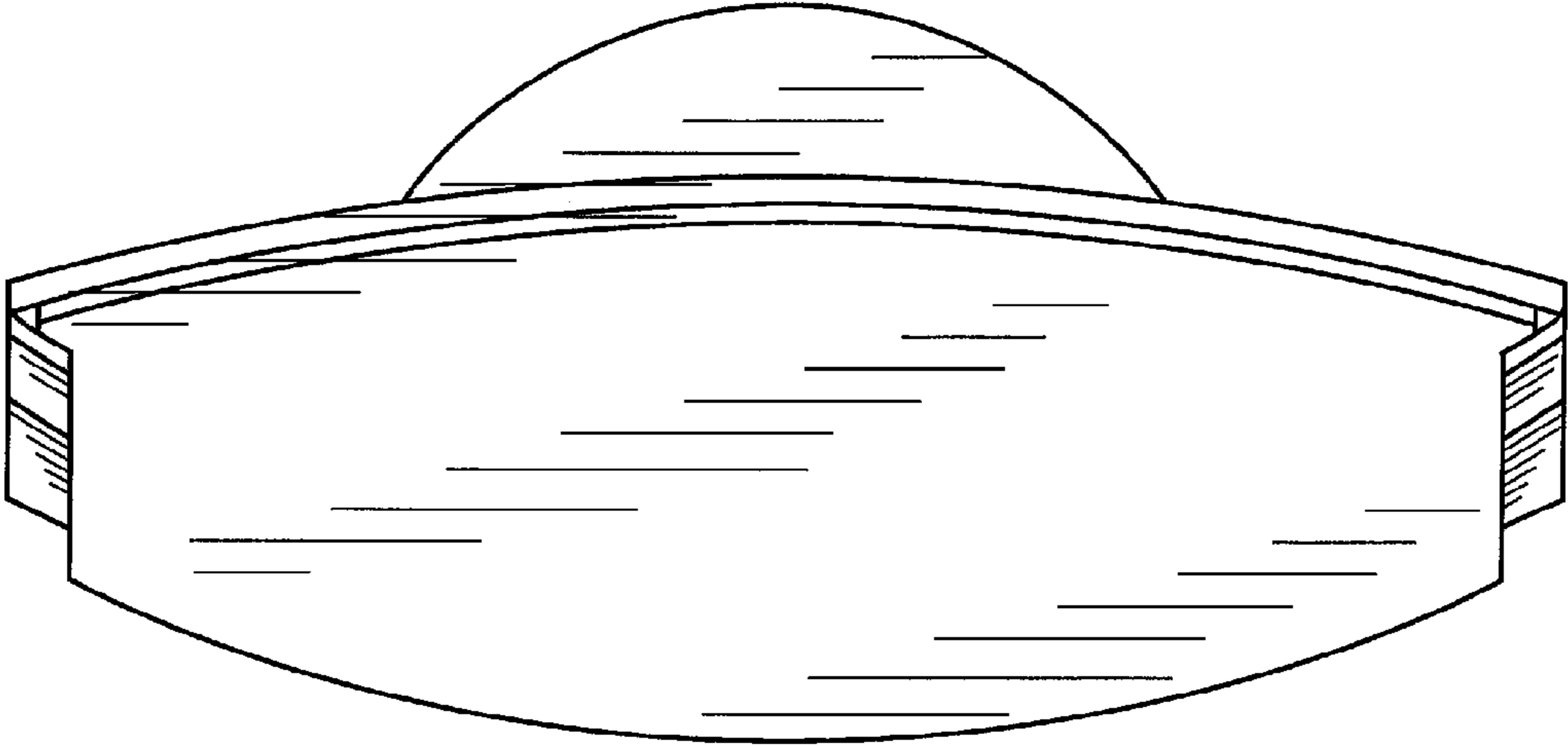


Fig. 4

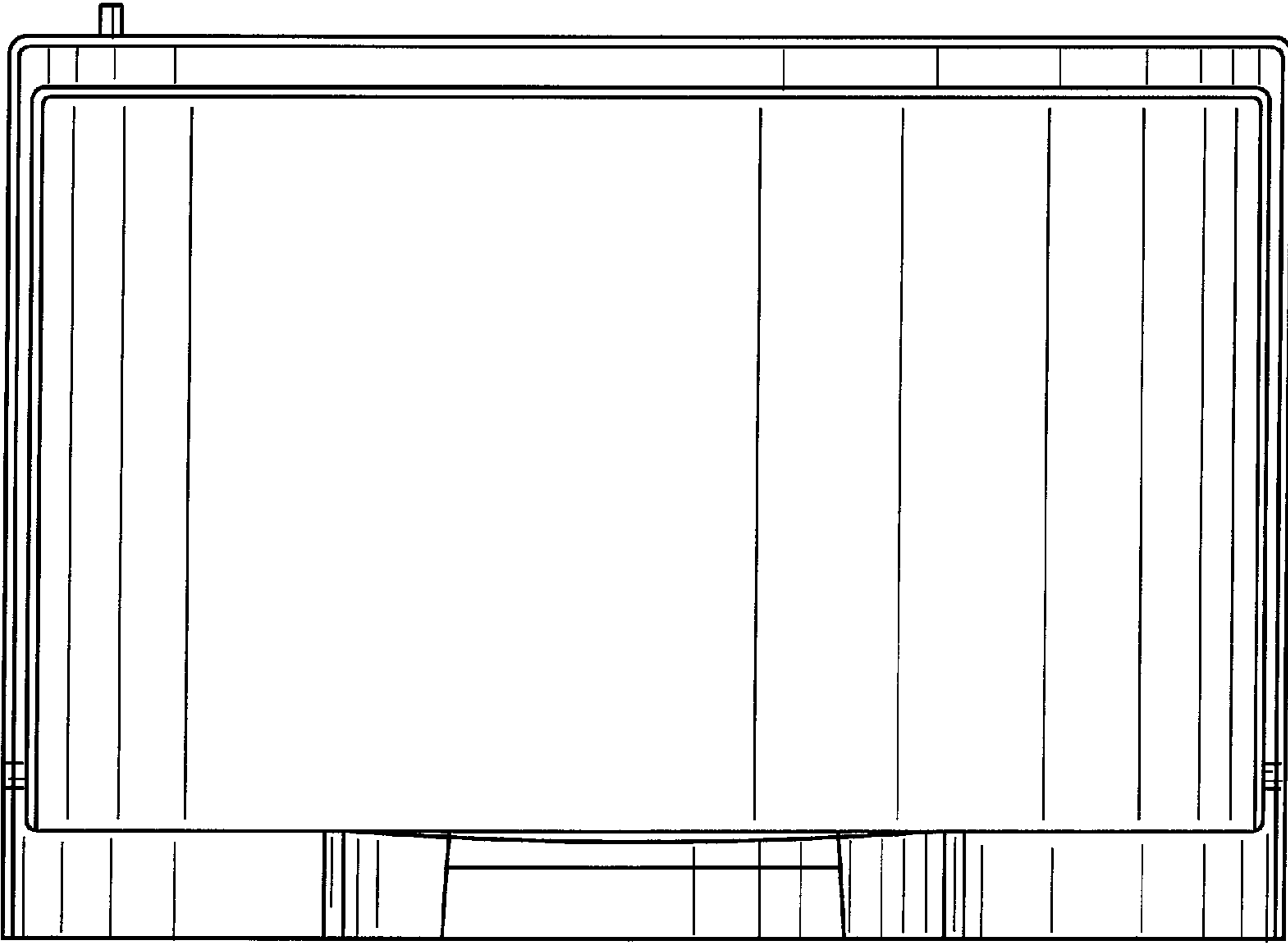


Fig. 5

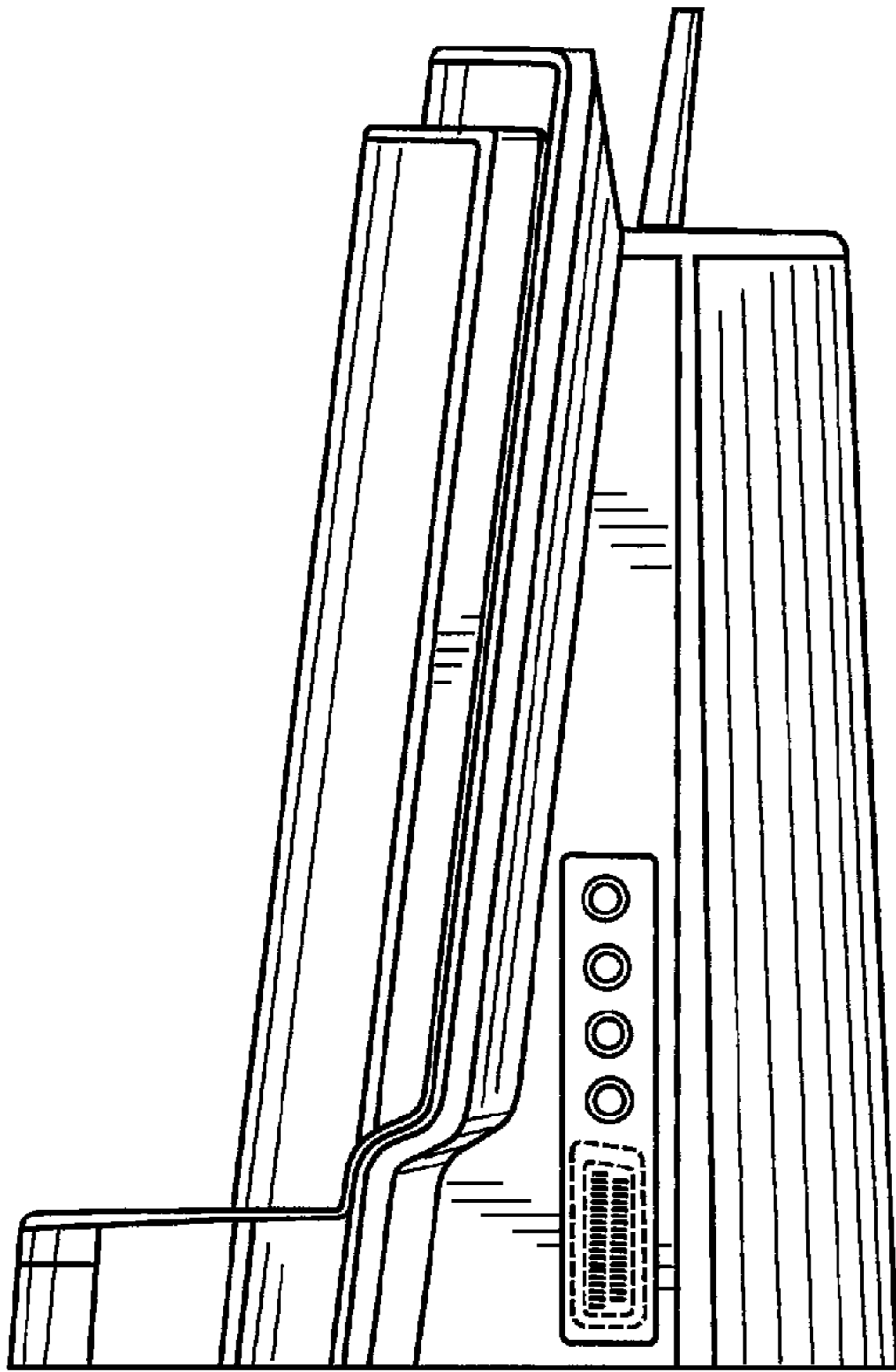


Fig. 6

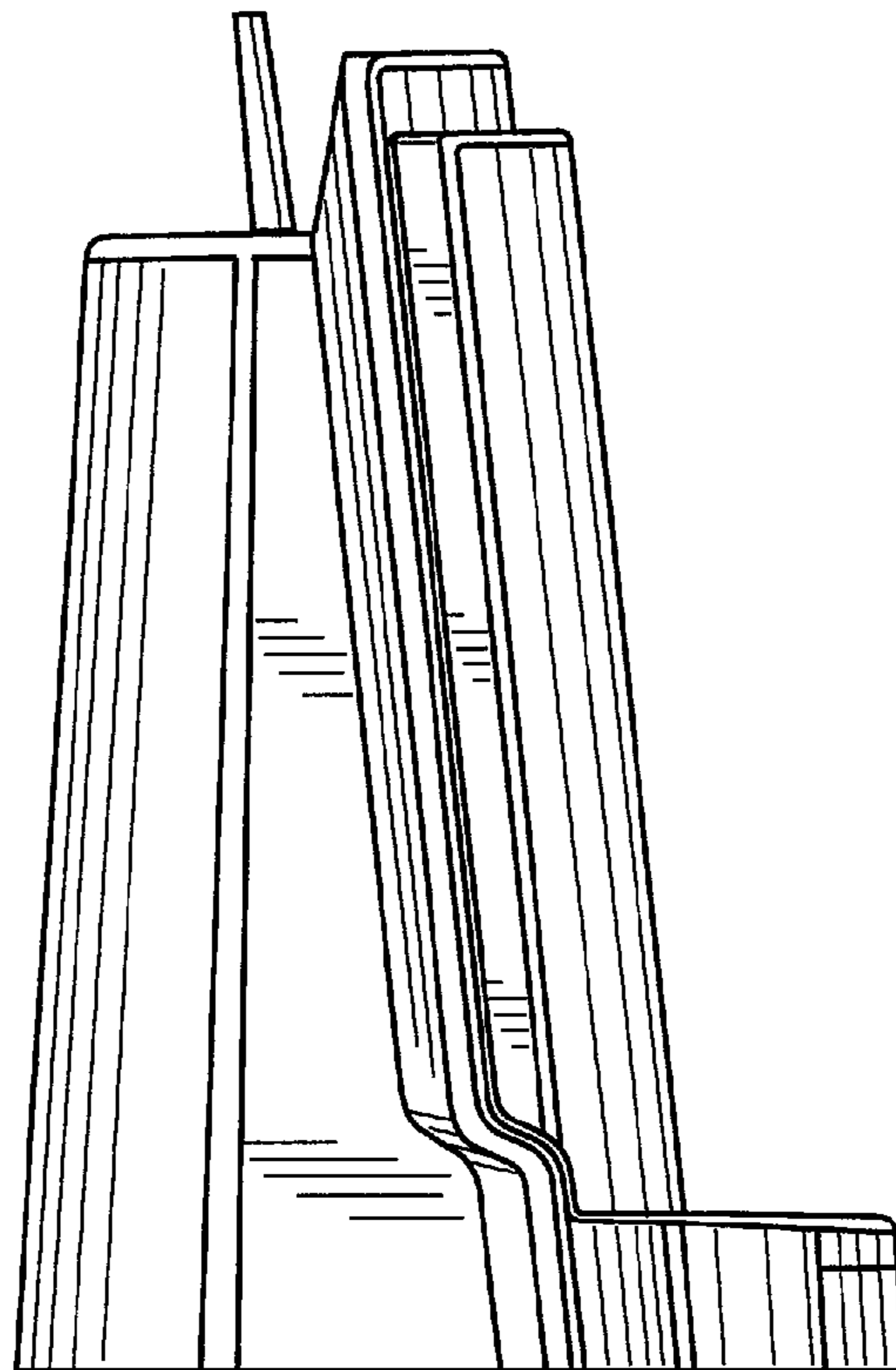


Fig. 7

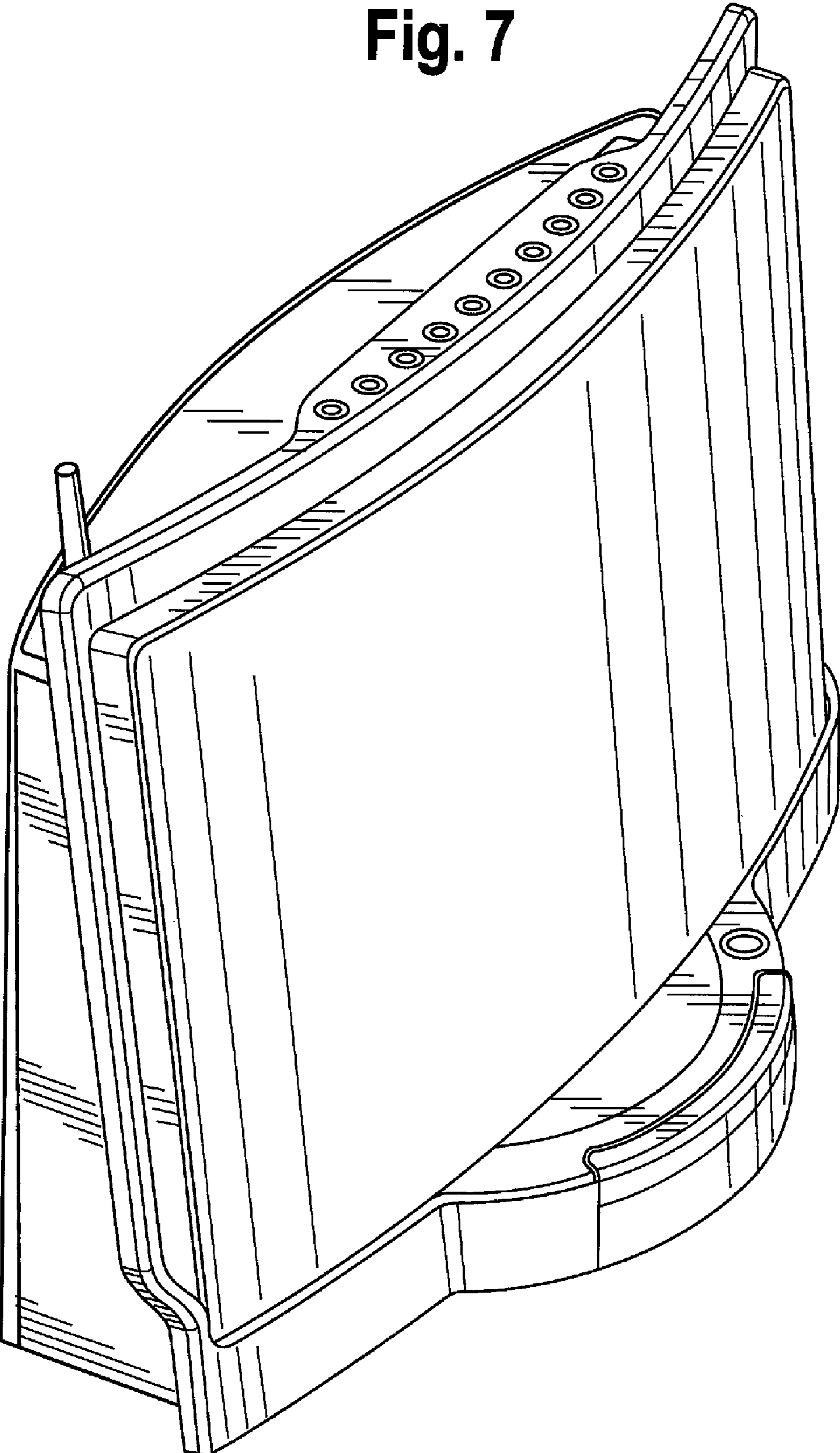


Fig. 8

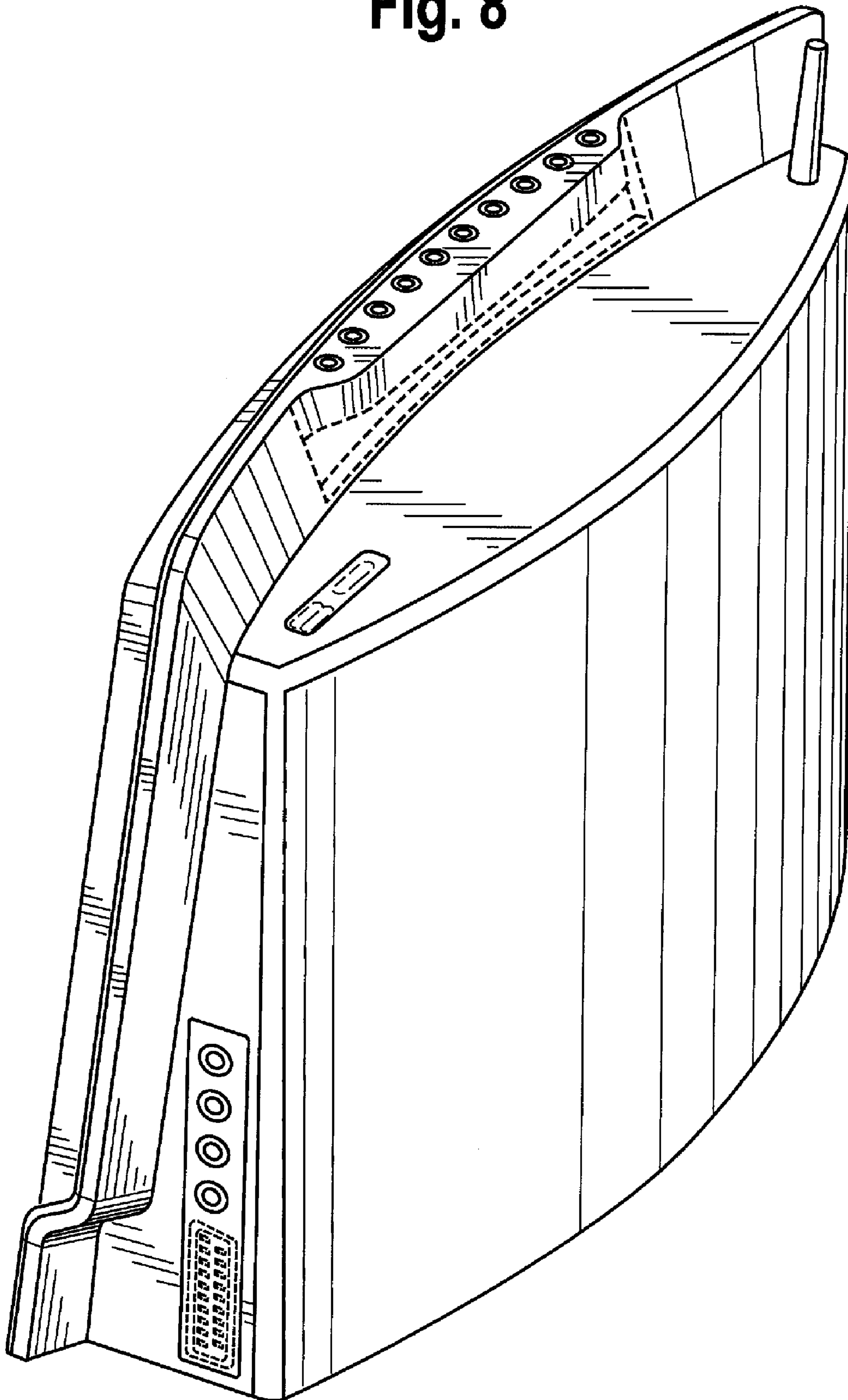


Fig. 9

