



US00D572235S

(12) **United States Design Patent**
Imawaki

(10) **Patent No.:** **US D572,235 S**
(45) **Date of Patent:** **** Jul. 1, 2008**

(54) **COMBINATION STEREO SPEAKER SYSTEM
AND CARRYING CASE FOR A PORTABLE
AUDIO DEVICE**

Primary Examiner—Nanda Bondade
(74) *Attorney, Agent, or Firm*—Jordan and Hamburg LLP

(75) **Inventor:** **Shinya Imawaki**, Osaka (JP)

(57) **CLAIM**

(73) **Assignee:** **Hirokawa Co., Ltd.**, Osaka (JP)

The ornamental design for combination stereo speaker system and carrying case for a portable audio device, as shown and described.

(**) **Term:** **14 Years**

(21) **Appl. No.:** **29/269,999**

(22) **Filed:** **Dec. 13, 2006**

(51) **LOC (8) Cl.** **14-01**

(52) **U.S. Cl.** **D14/207**

(58) **Field of Classification Search** D14/204,
D14/207, 209–216, 168; D3/272–274, 281,
D3/291–4, 218; 181/141–148, 150, 157,
181/198–199, 151, 153; 381/300–302, 306,
381/333, 345, 361–364, 386–388, 332, 336
See application file for complete search history.

DESCRIPTION

FIG. 1 is a front elevation view of the combination stereo speaker system and carrying case for a portable audio device of the invention;

FIG. 2 is a rear elevation view thereof;

FIG. 3 is a left-side elevation view thereof;

FIG. 4 is a right-side elevation view thereof;

FIG. 5 is a top plan view thereof;

FIG. 6 is a bottom plan view thereof;

FIG. 7 is a perspective view thereof;

FIG. 8 is a perspective view thereof; and,

FIG. 9 is a perspective view thereof, with the case in an open condition.

The broken line showing of a portable audio device and a cable connection thereto on FIGS. 8 and 9, is included for the purpose of illustration only and forms no part of the claimed design.

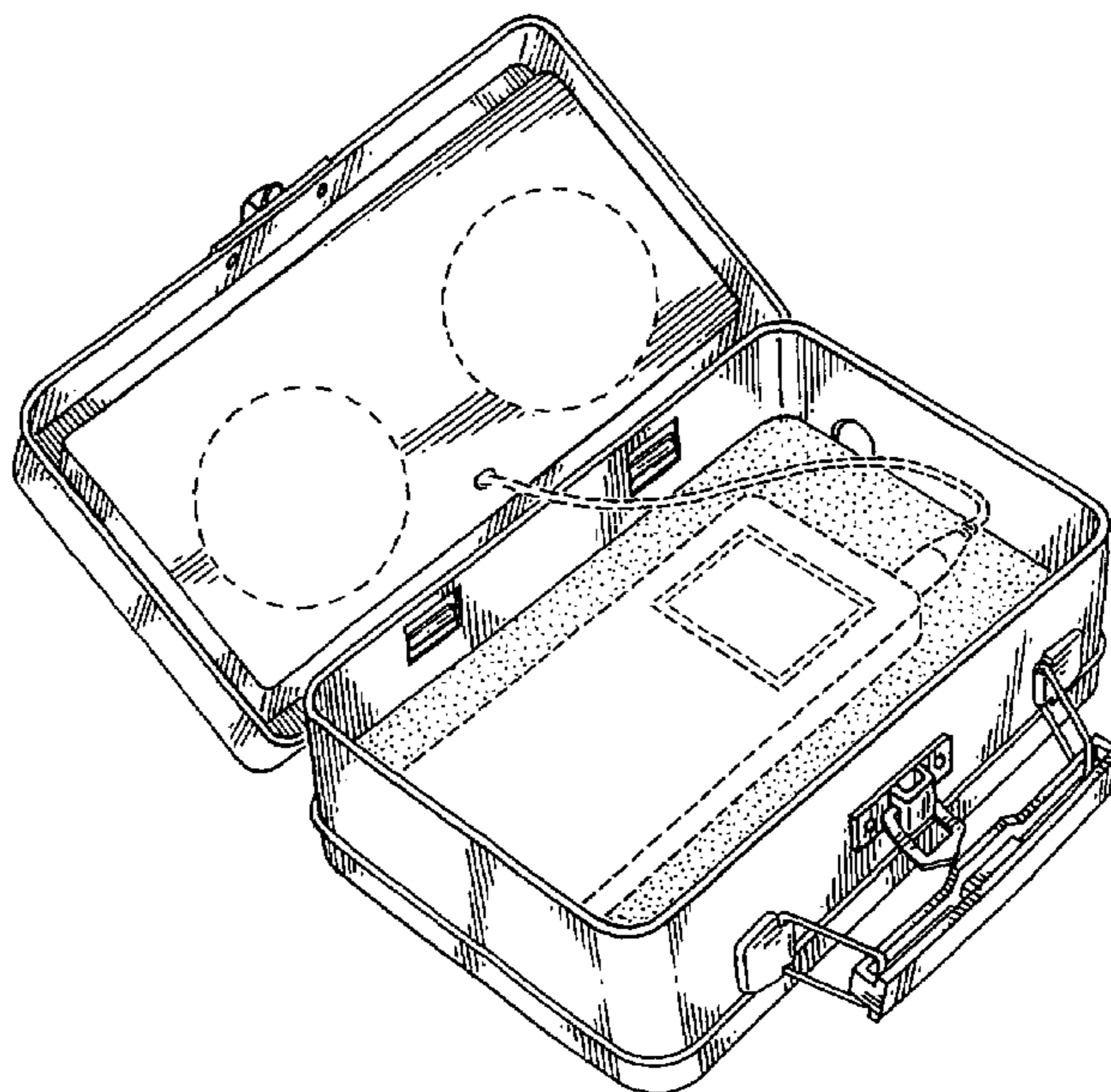
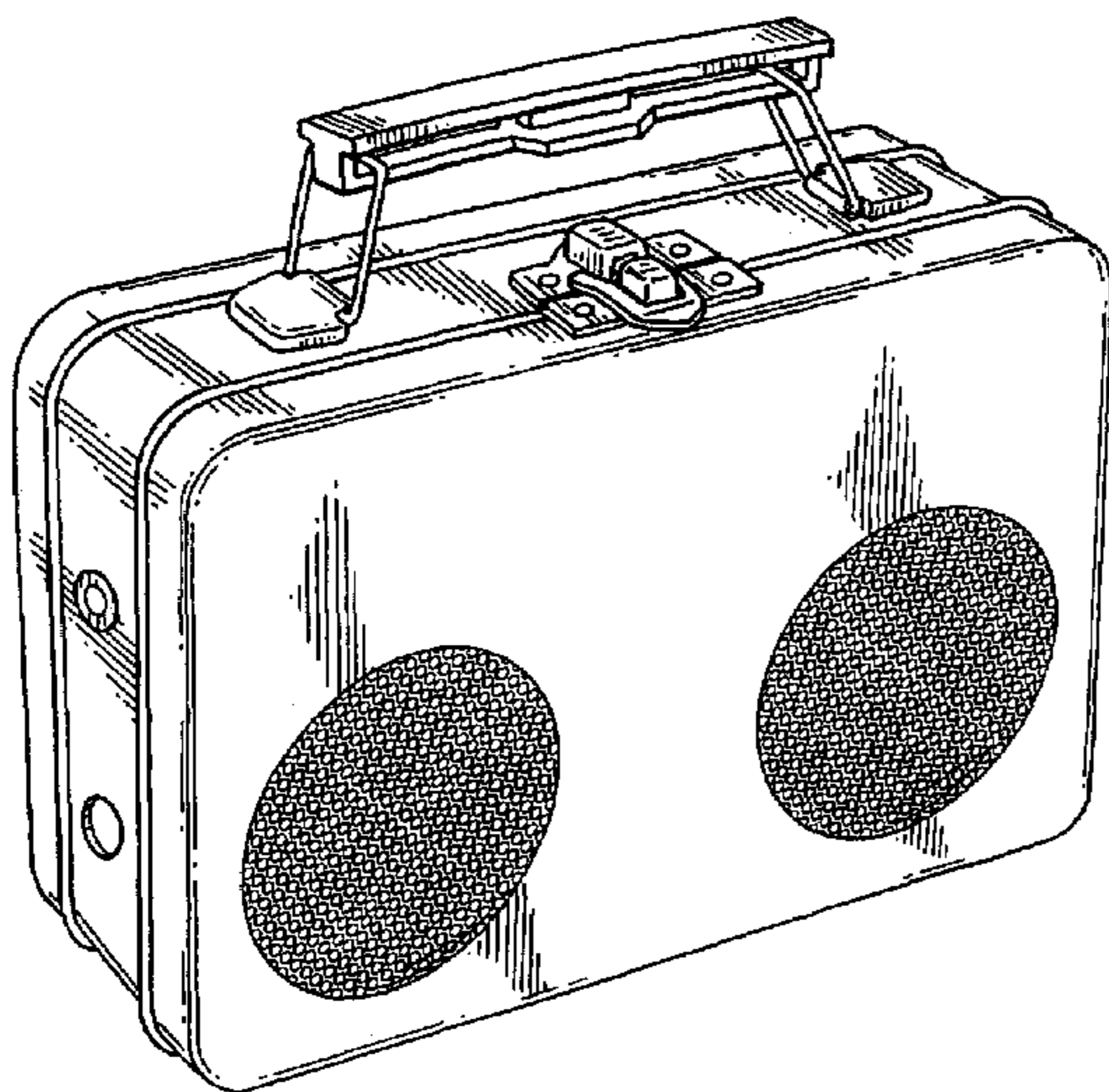
(56) **References Cited**

U.S. PATENT DOCUMENTS

- D334,285 S * 3/1993 Wilson D3/218
- D413,203 S * 8/1999 Zurwelle et al. D3/276
- D441,531 S * 5/2001 Lee D14/168

* cited by examiner

1 Claim, 8 Drawing Sheets



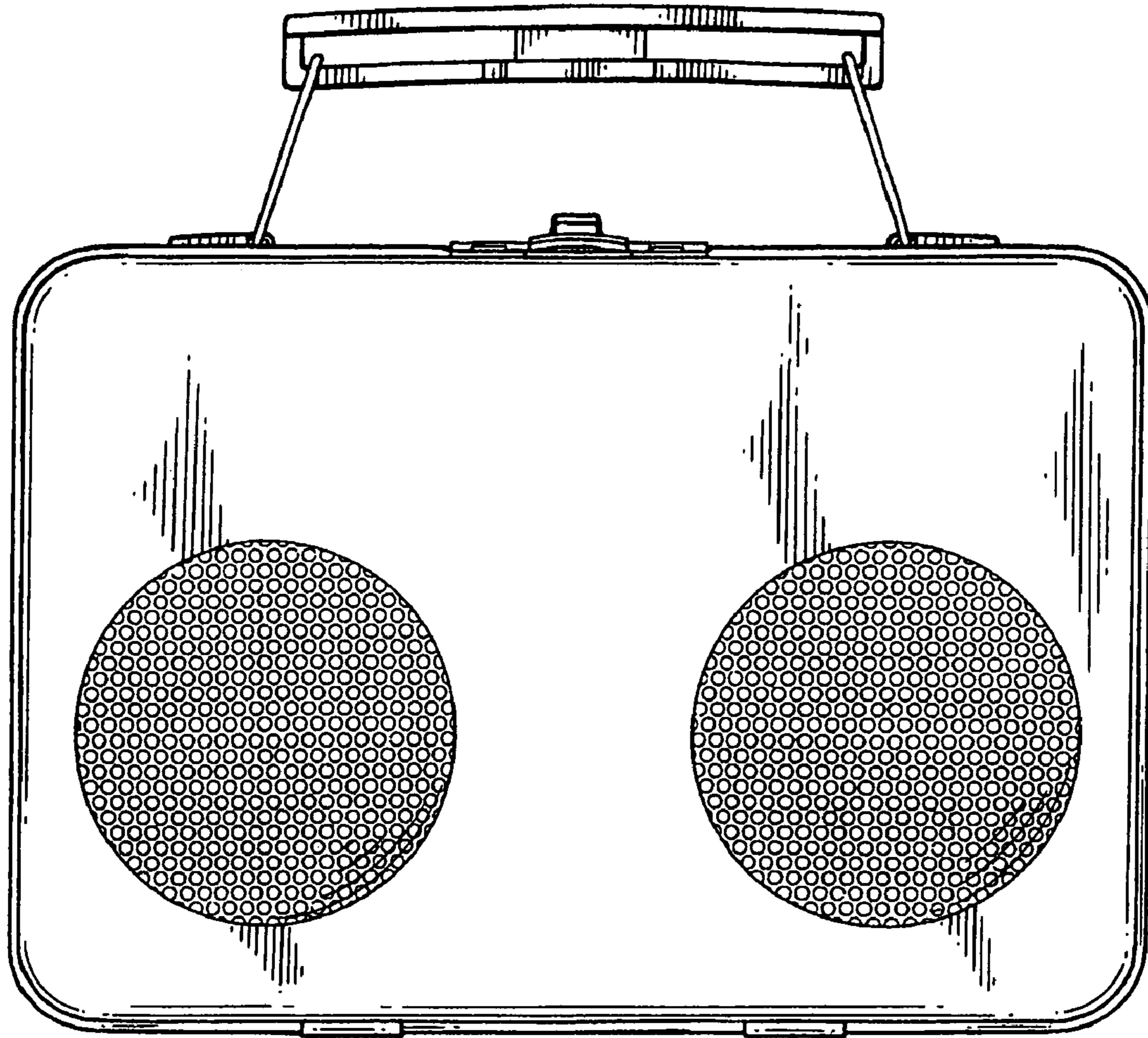


FIG. 1

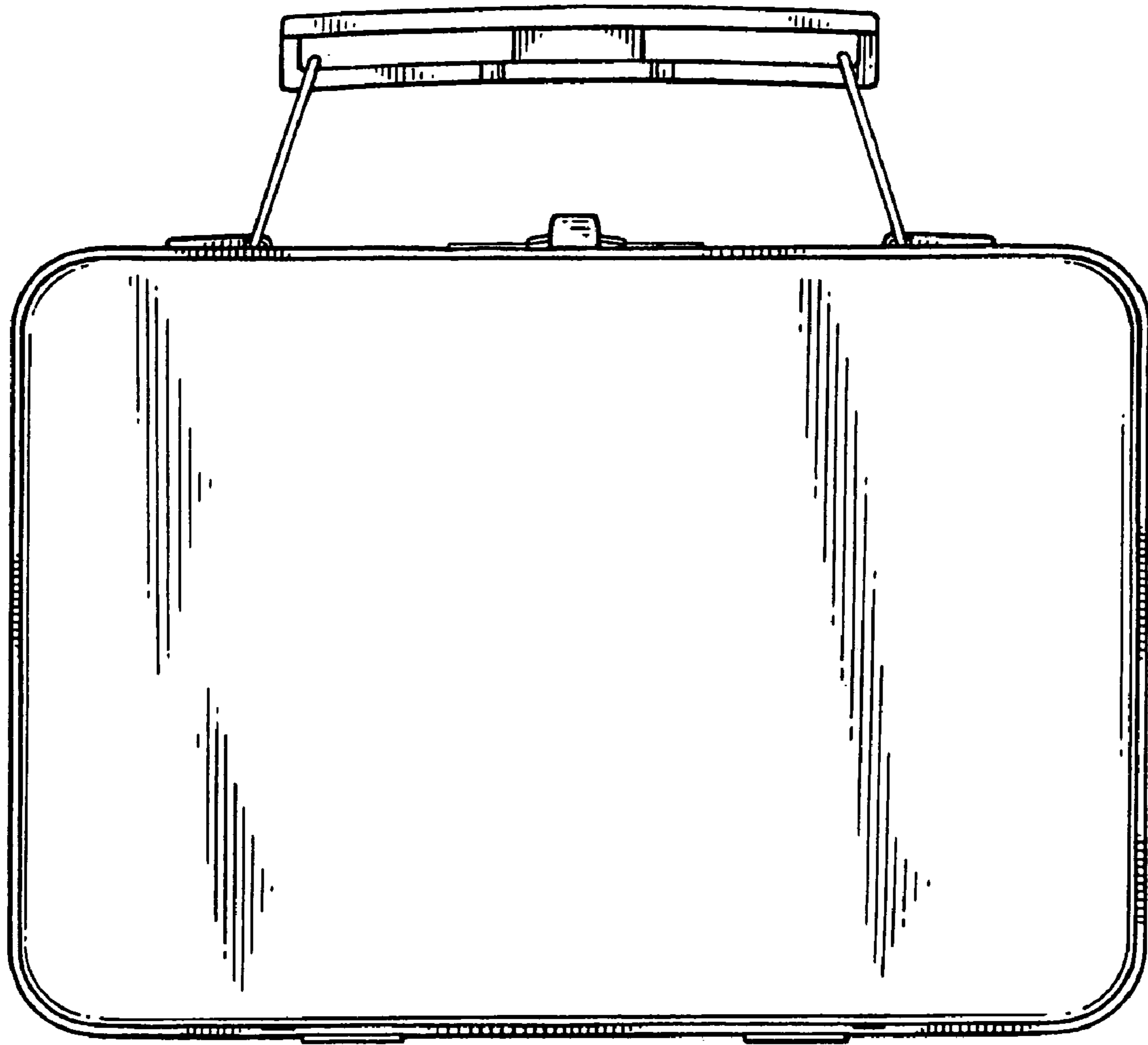


FIG. 2

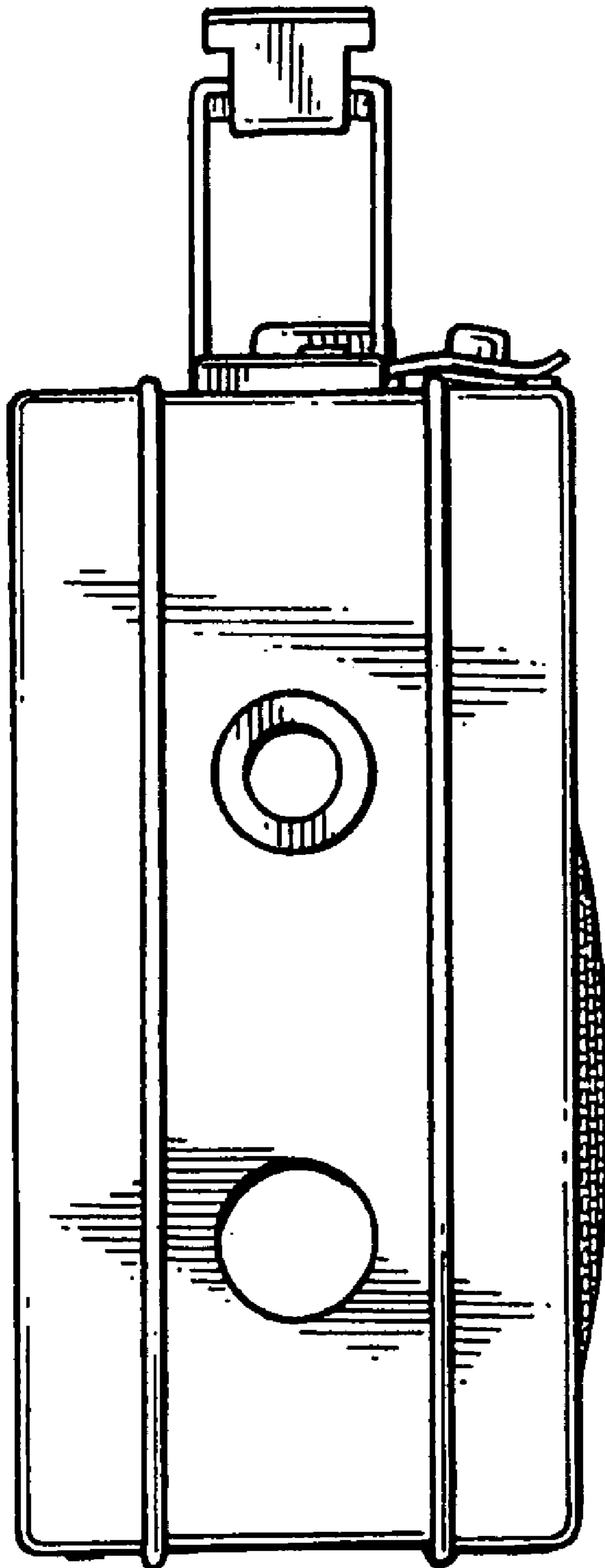


FIG. 3

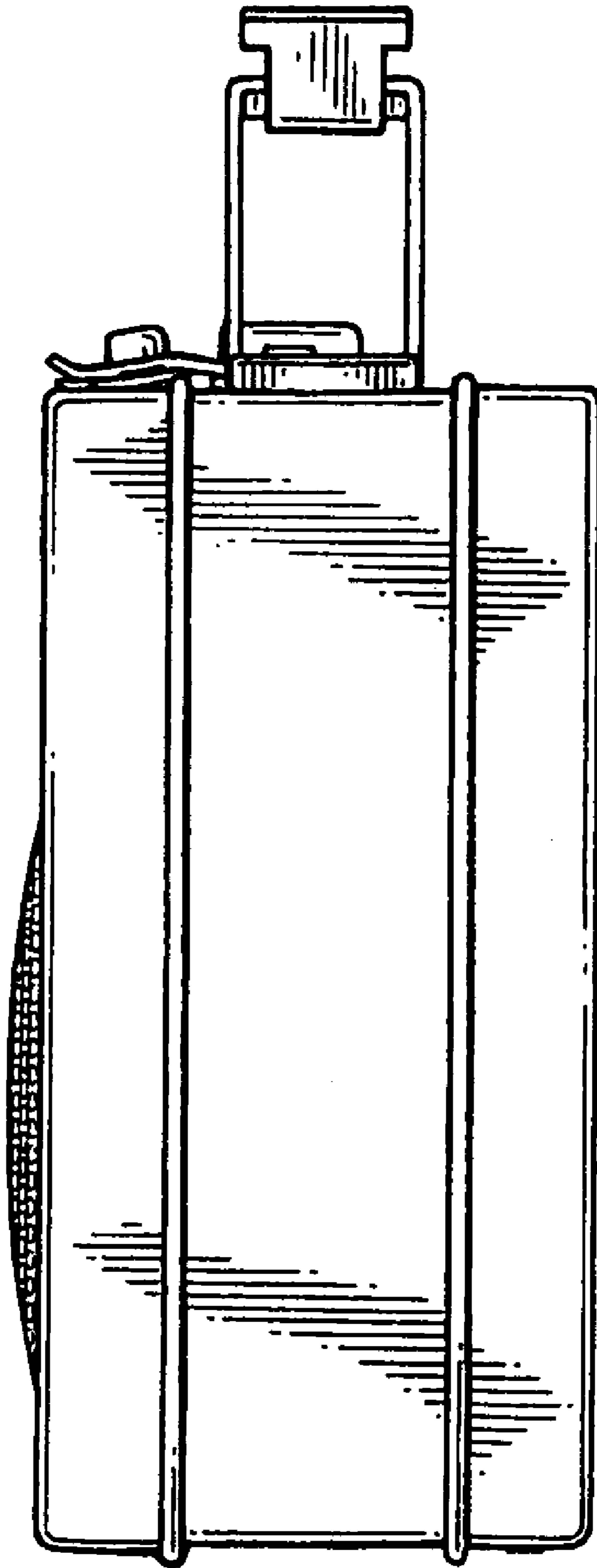


FIG. 4

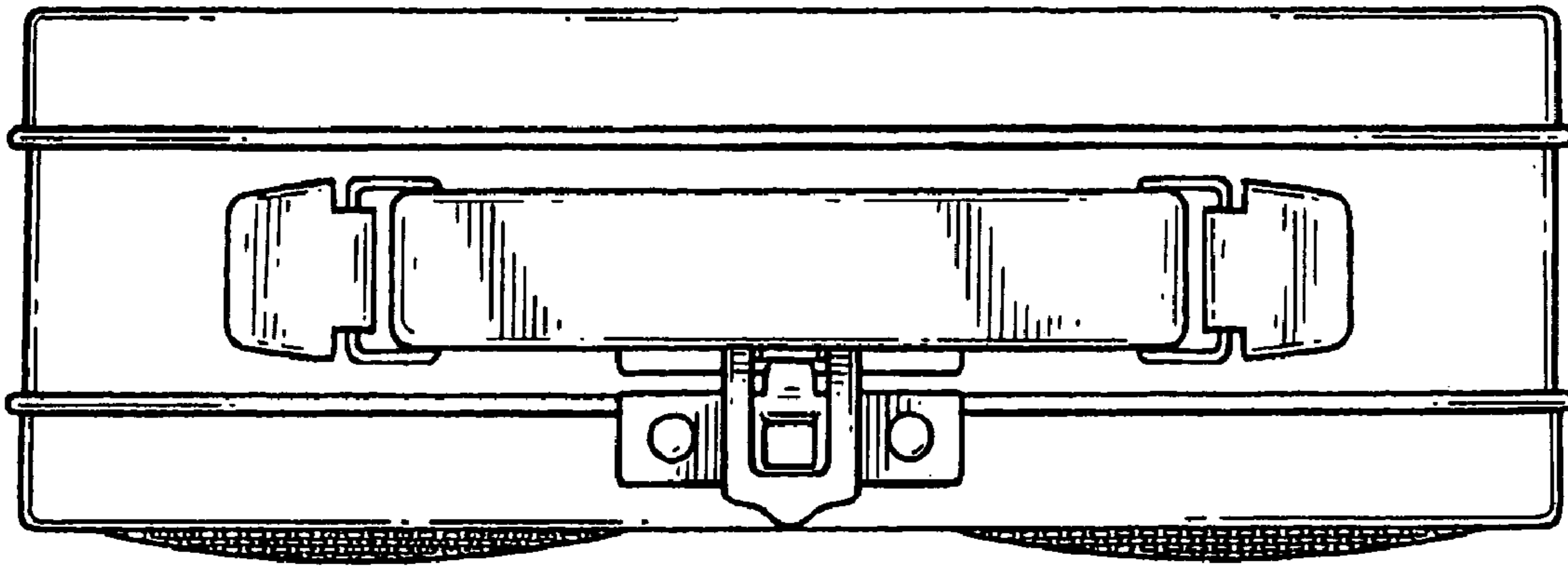


FIG. 5

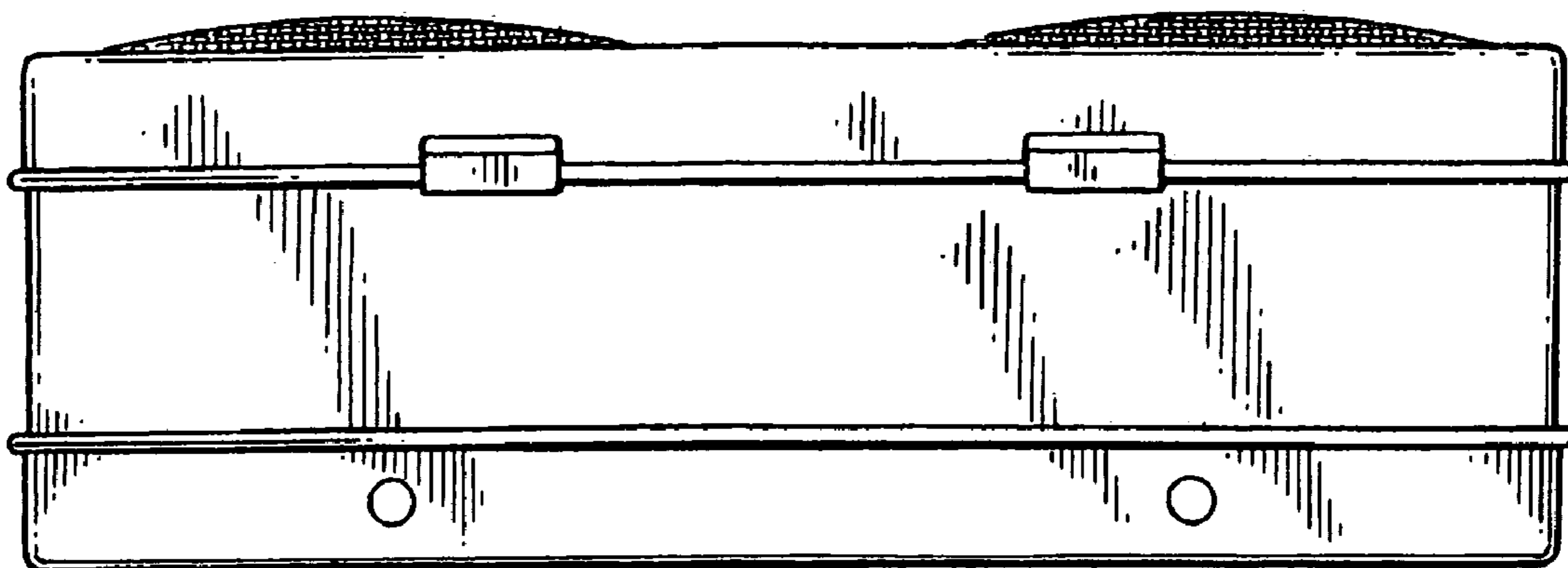


FIG. 6

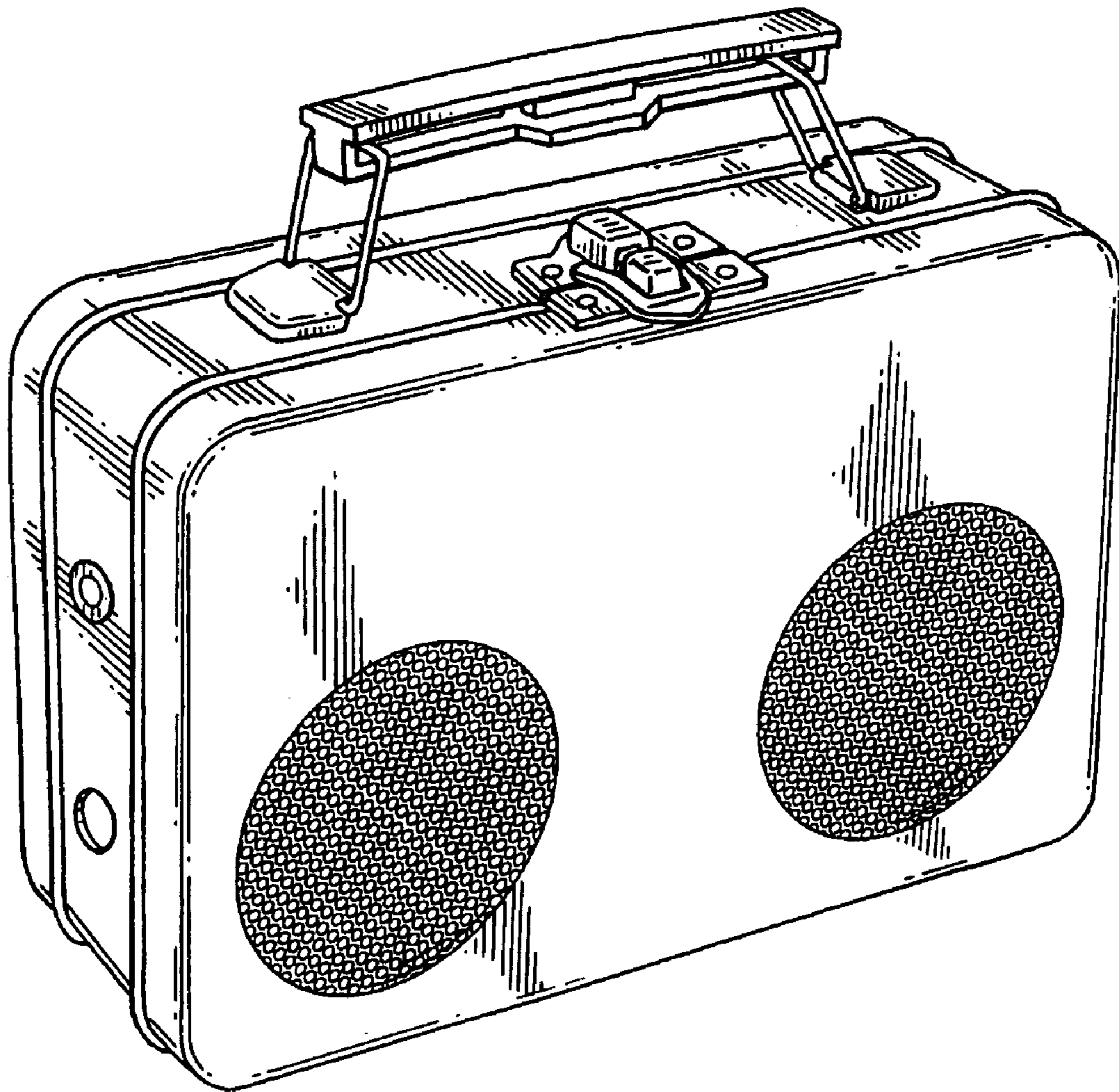


FIG. 7

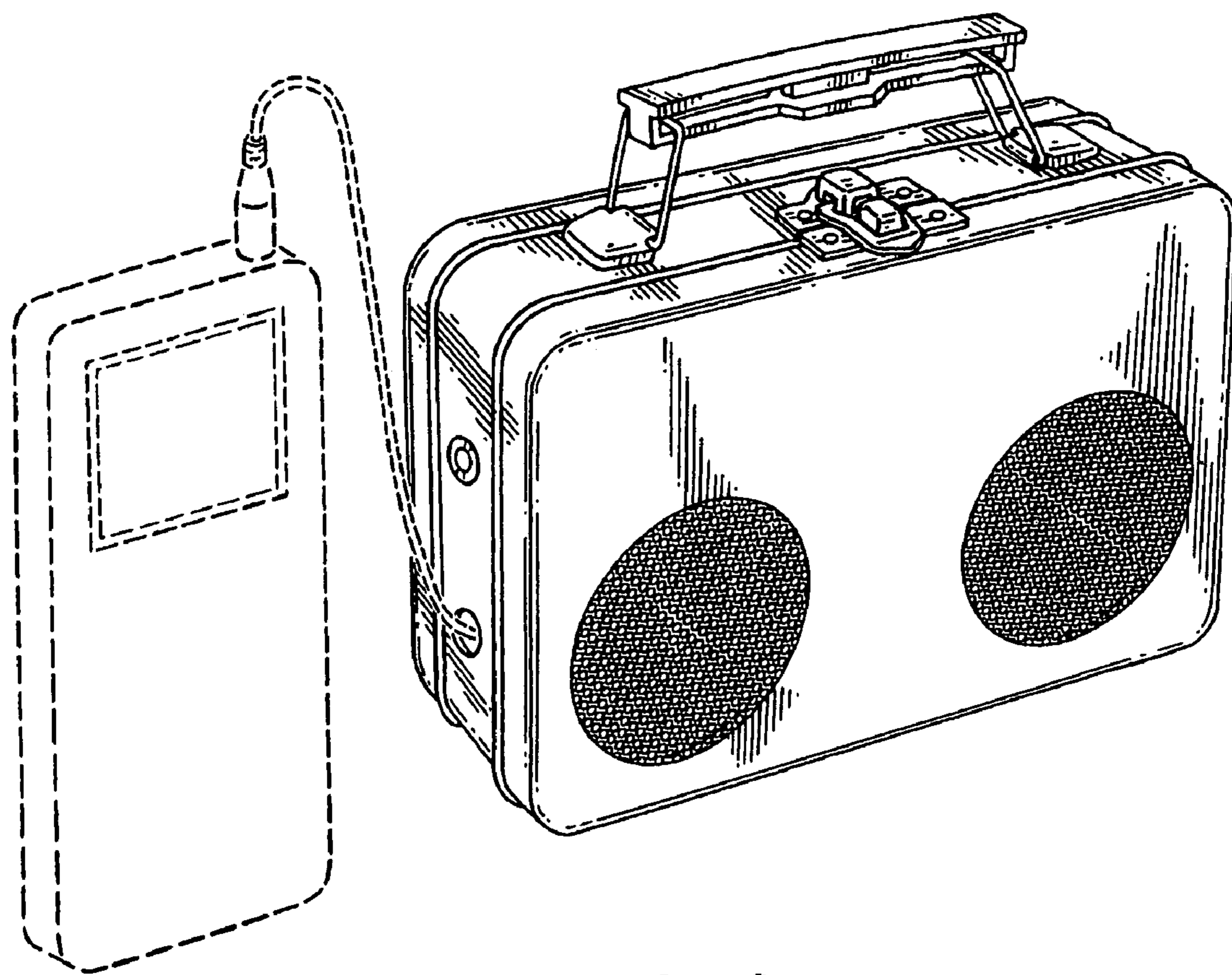


FIG. 8

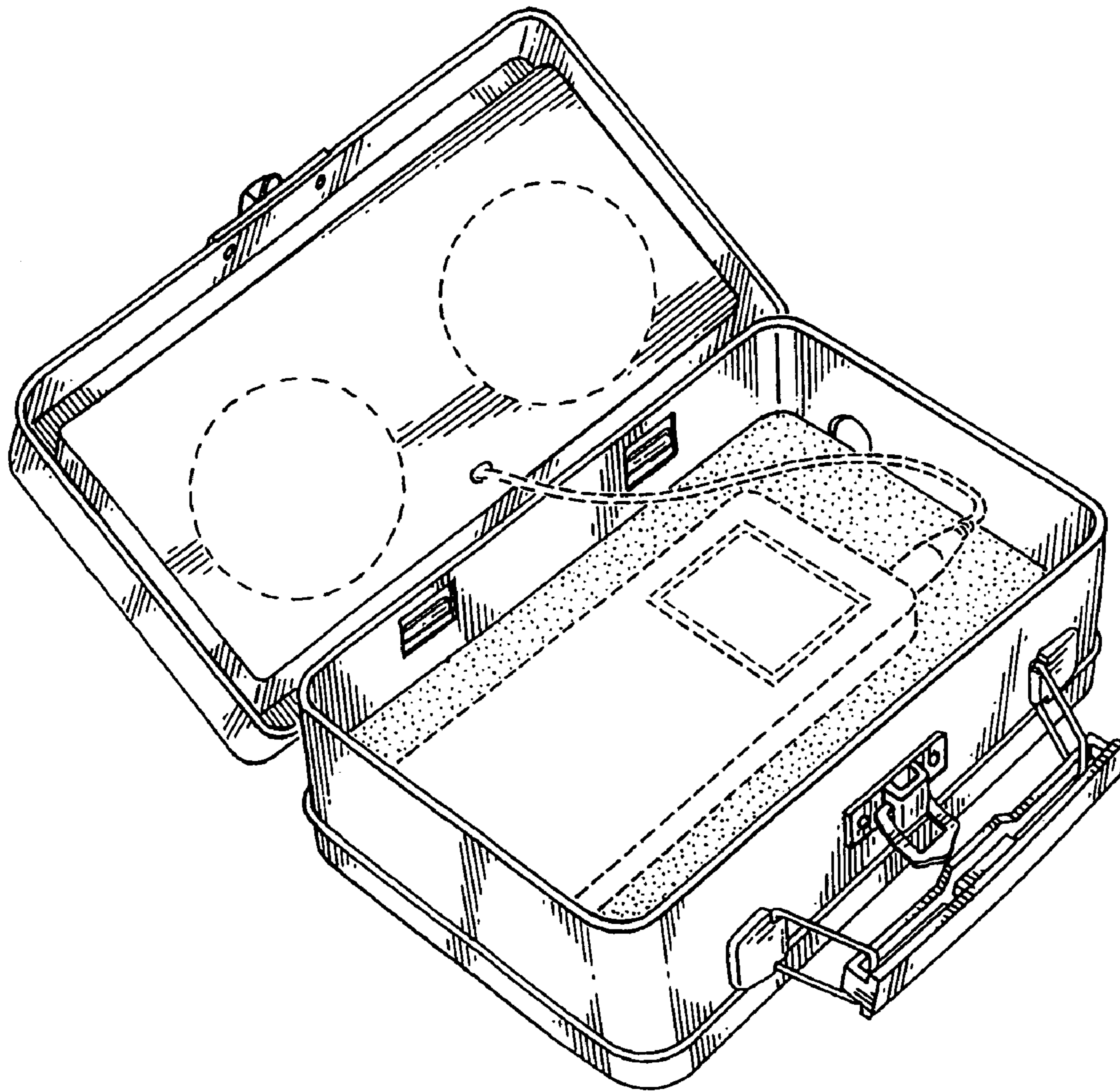


FIG. 9