



US00D572233S

(12) **United States Design Patent**
Tuli

(10) **Patent No.:** **US D572,233 S**
(45) **Date of Patent:** **** Jul. 1, 2008**

(54) **MINI RADIO**

D498,226 S * 11/2004 Tien D14/188
D539,252 S * 3/2007 Heath D14/137

(76) Inventor: **Sanjeev Tuli**, 101 Moonachie Ave.,
Moonachie, NJ (US) 07074

* cited by examiner

(**) Term: **14 Years**

Primary Examiner—Stella M. Reid
Assistant Examiner—Keli L Acker

(21) Appl. No.: **29/291,122**

(74) *Attorney, Agent, or Firm*—Myron Amer P.C.

(22) Filed: **Aug. 16, 2007**

(57) **CLAIM**

(51) **LOC (8) Cl.** **14-03**

The ornamental design for a mini radio, as shown and described.

(52) **U.S. Cl.** **D14/192**

(58) **Field of Classification Search** D14/137,
D14/155, 168, 170, 171, 188, 189, 191–198,
D14/204, 217, 257, 265, 496; 369/6–12;
370/342–344; 455/344–351

DESCRIPTION

See application file for complete search history.

FIG. 1 is a top view of a mini radio showing my new design;
FIG. 2 is a bottom view thereof;
FIG. 3 is a front view thereof;
FIG. 4 is a right side elevational view thereof;
FIG. 5 is a left side elevational view thereof; and,
FIG. 6 is a rear view thereof.

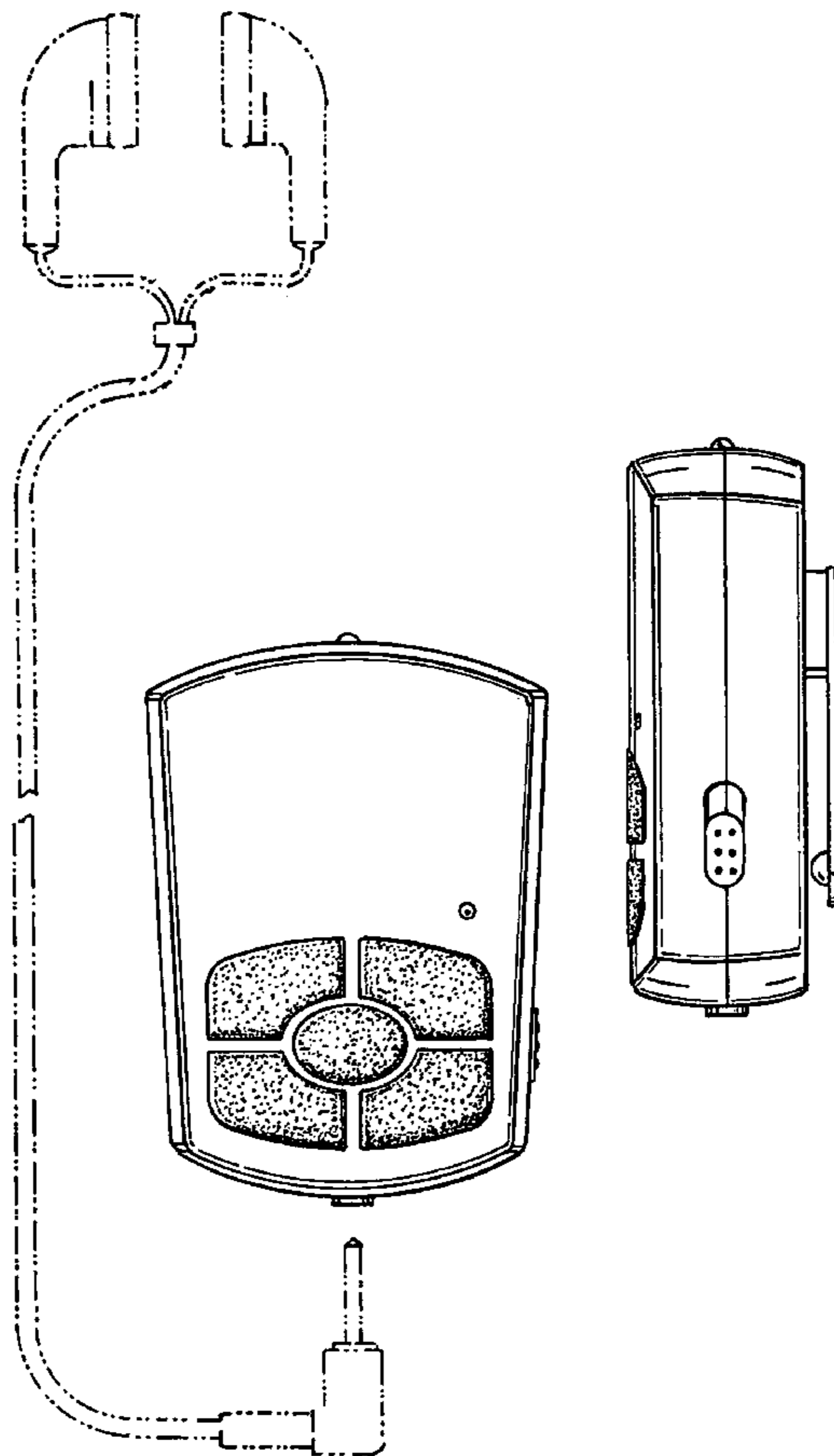
(56) **References Cited**

The broken line showing of ear phones in FIG. 1 is for illustrative purposes only and forms no part of the claimed design.

U.S. PATENT DOCUMENTS

- D403,679 S * 1/1999 Tsui D14/192
- D437,304 S * 2/2001 Cowan et al. D14/188
- D480,064 S * 9/2003 Tsui D14/192
- D496,023 S * 9/2004 Gubbels et al. D14/191
- D497,153 S * 10/2004 Oas D14/188
- D497,356 S * 10/2004 Jerome D14/197

1 Claim, 2 Drawing Sheets



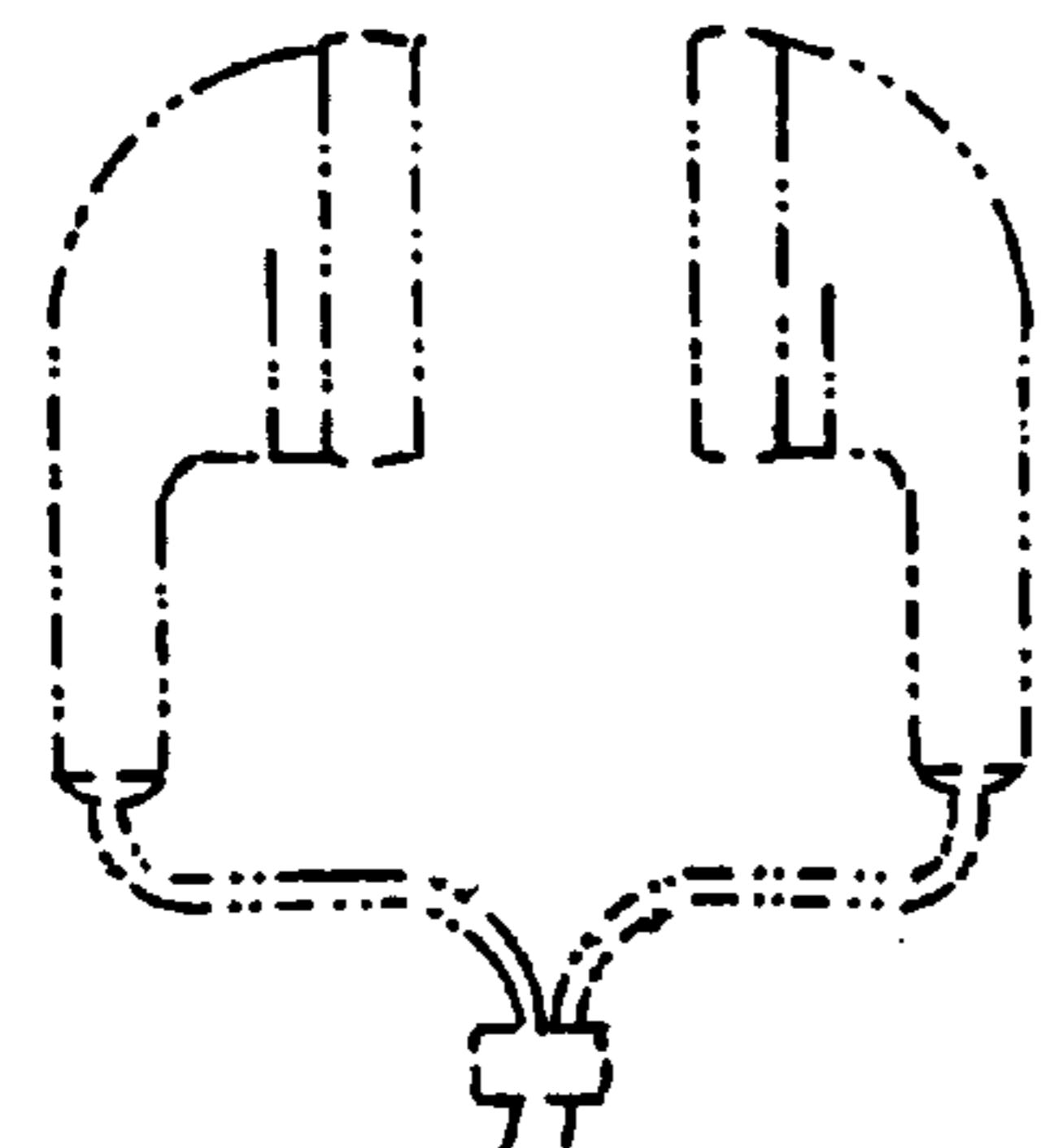


Fig. 1

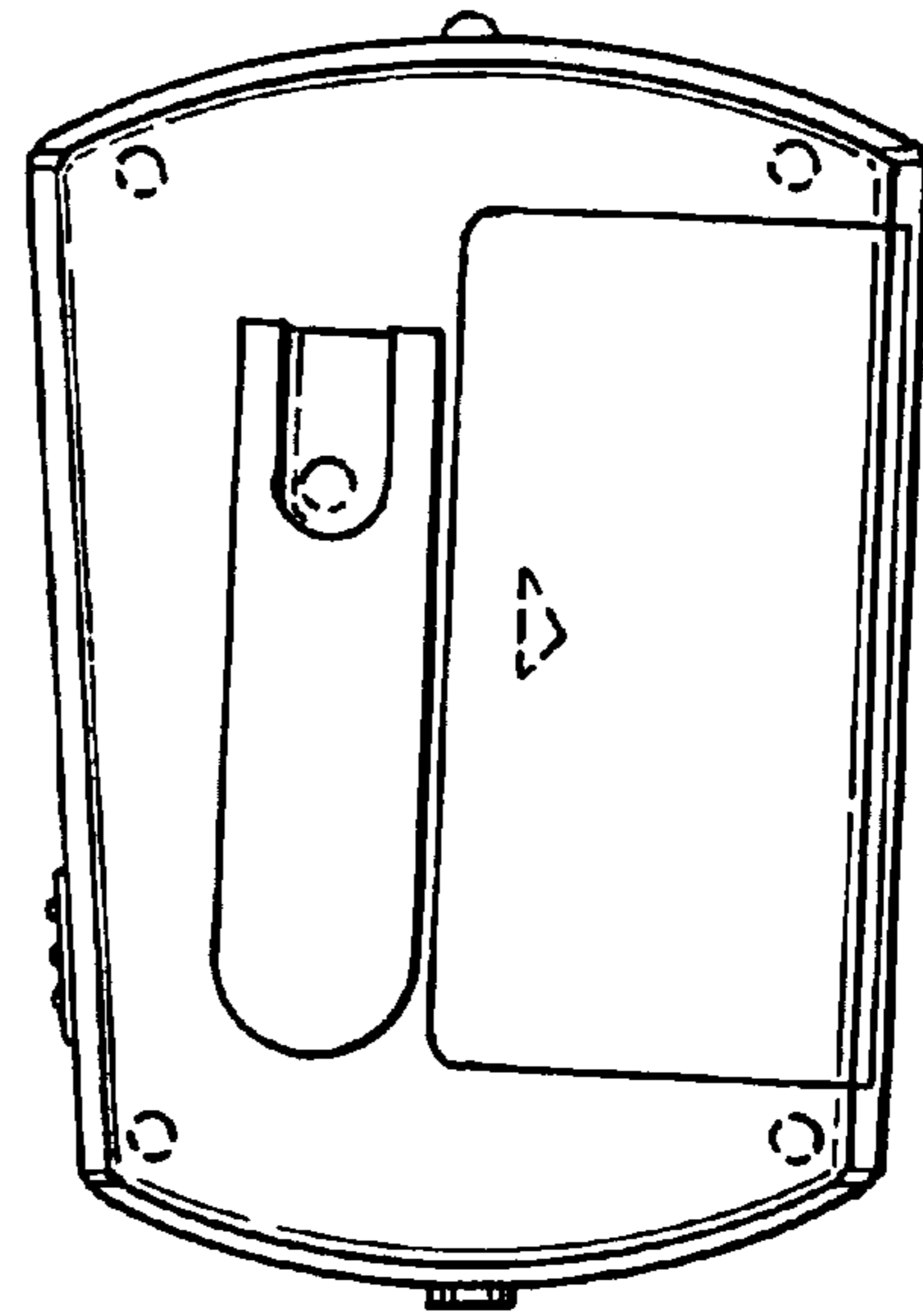
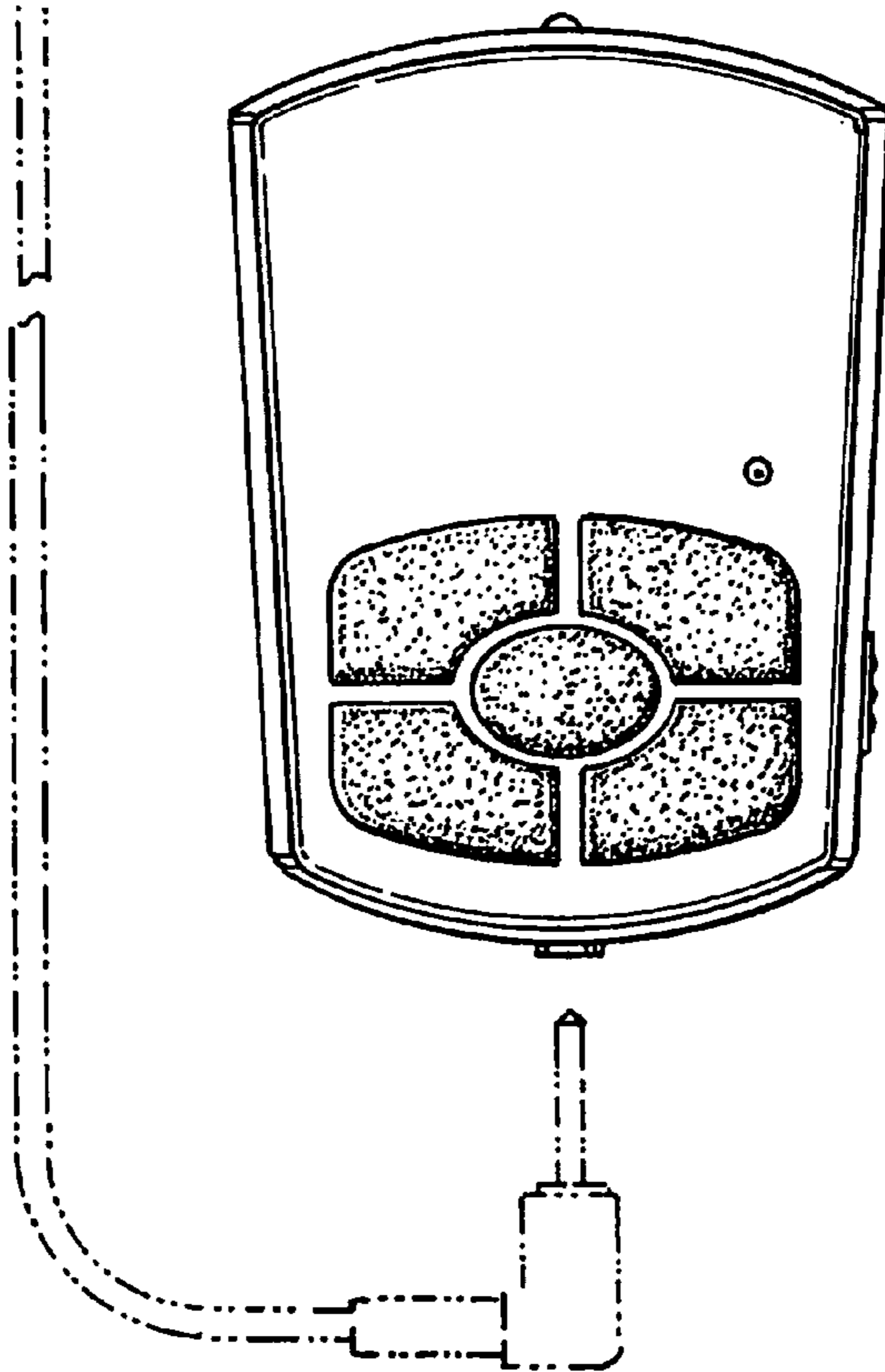


Fig. 2



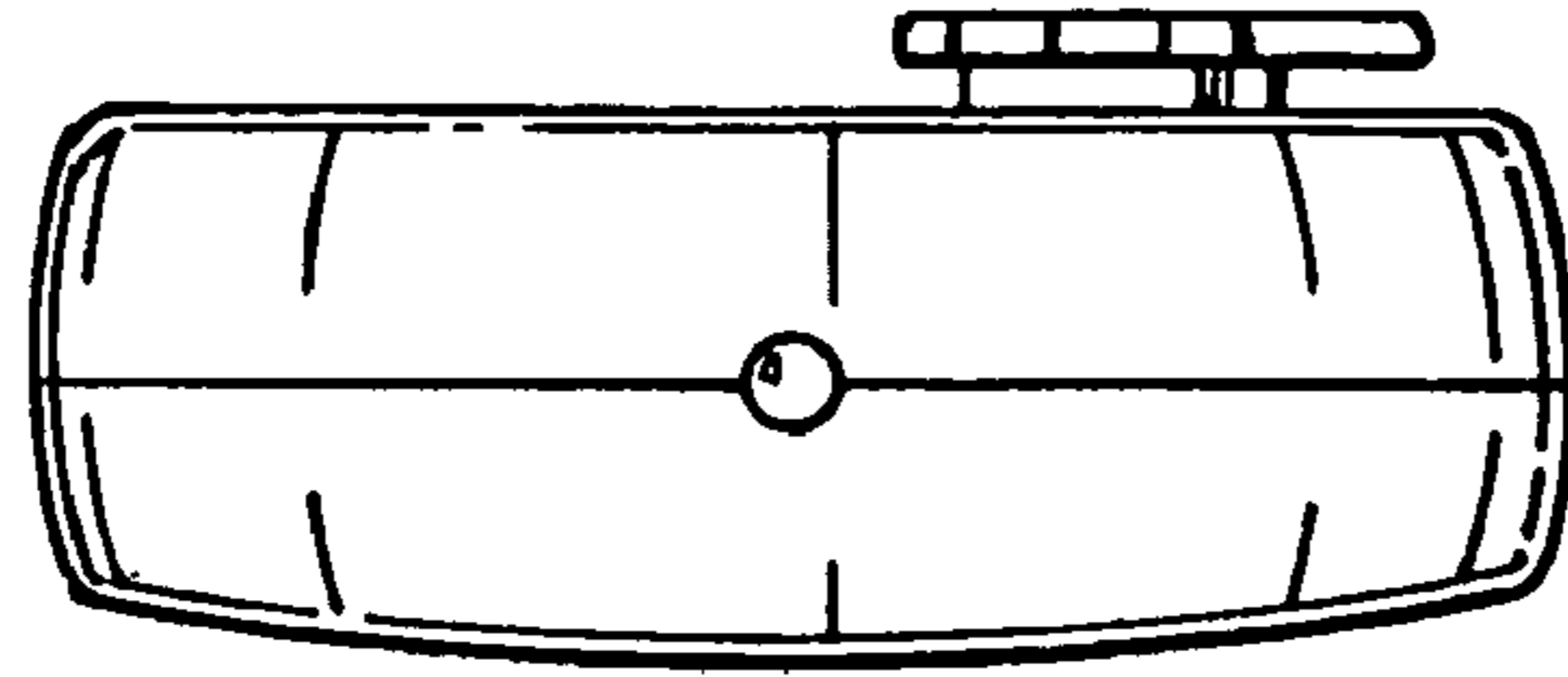


Fig. 3

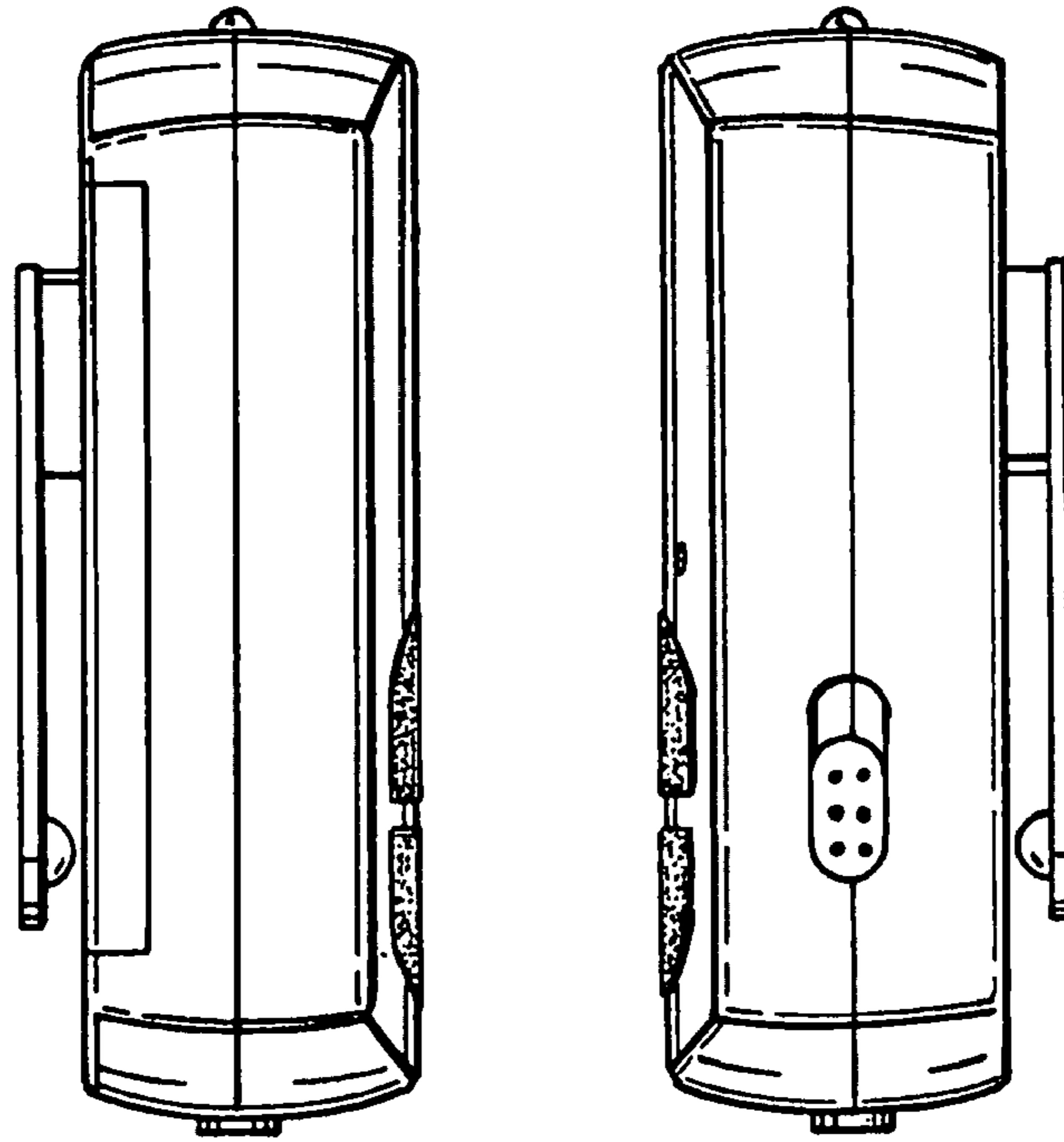


Fig. 4

Fig. 5

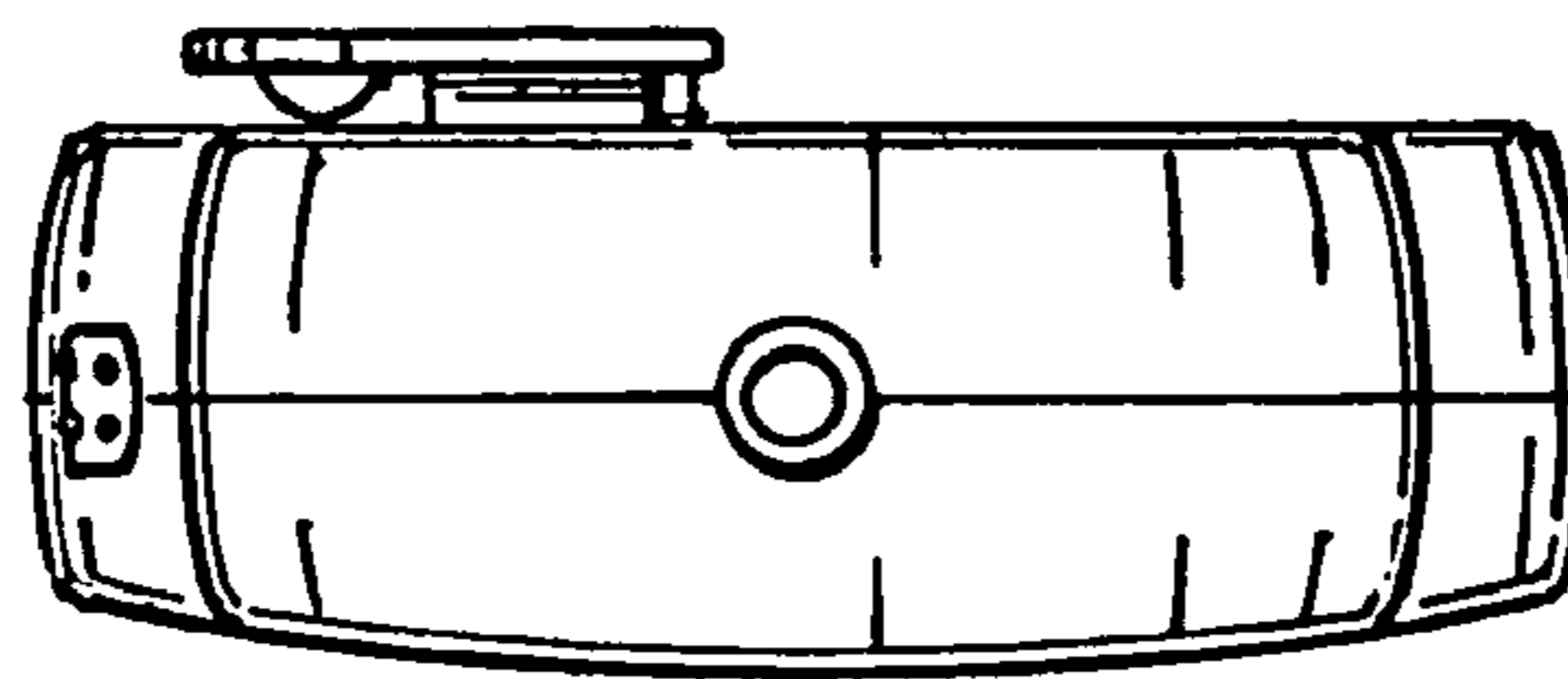


Fig. 6