



US00D572232S

(12) **United States Design Patent**  
**Joseph**

(10) **Patent No.:** **US D572,232 S**  
(45) **Date of Patent:** **\*\* Jul. 1, 2008**

(54) **RADIO AMPLIFIER FOR A DIGITAL MEDIA PLAYER**

(75) Inventor: **Brian Joseph**, Brooklyn, NY (US)

(73) Assignee: **SDI Technologies Inc.**, Rahway, NJ (US)

(\*\*) Term: **14 Years**

(21) Appl. No.: **29/268,844**

(22) Filed: **Nov. 14, 2006**

(51) **LOC (8) Cl.** ..... **14-03**

(52) **U.S. Cl.** ..... **D14/188; D14/217**

(58) **Field of Classification Search** ..... D14/168, D14/169, 172, 179, 194-198, 257, 265, 299, D14/188, 217; 330/1 R, 3, 4, 250; 381/86, 381/120; 455/344-351

See application file for complete search history.

(56) **References Cited**

**U.S. PATENT DOCUMENTS**

- D273,683 S \* 5/1984 Hendren et al. .... D16/208
- D347,765 S \* 6/1994 Unkefer ..... D7/605
- D523,419 S \* 6/2006 Joseph ..... D14/214
- D538,264 S \* 3/2007 Peersman ..... D14/214
- D540,300 S \* 4/2007 Amid-Hozour ..... D14/188
- D550,646 S \* 9/2007 Kaneko ..... D14/156
- D554,622 S \* 11/2007 Joseph ..... D14/217

- D556,732 S \* 12/2007 Chan ..... D14/168
- D557,256 S \* 12/2007 Joseph ..... D14/214

\* cited by examiner

*Primary Examiner*—Stella M. Reid

*Assistant Examiner*—Keli L Acker

(74) *Attorney, Agent, or Firm*—Ostrolenk, Faber, Gerb & Soffen, LLP

(57) **CLAIM**

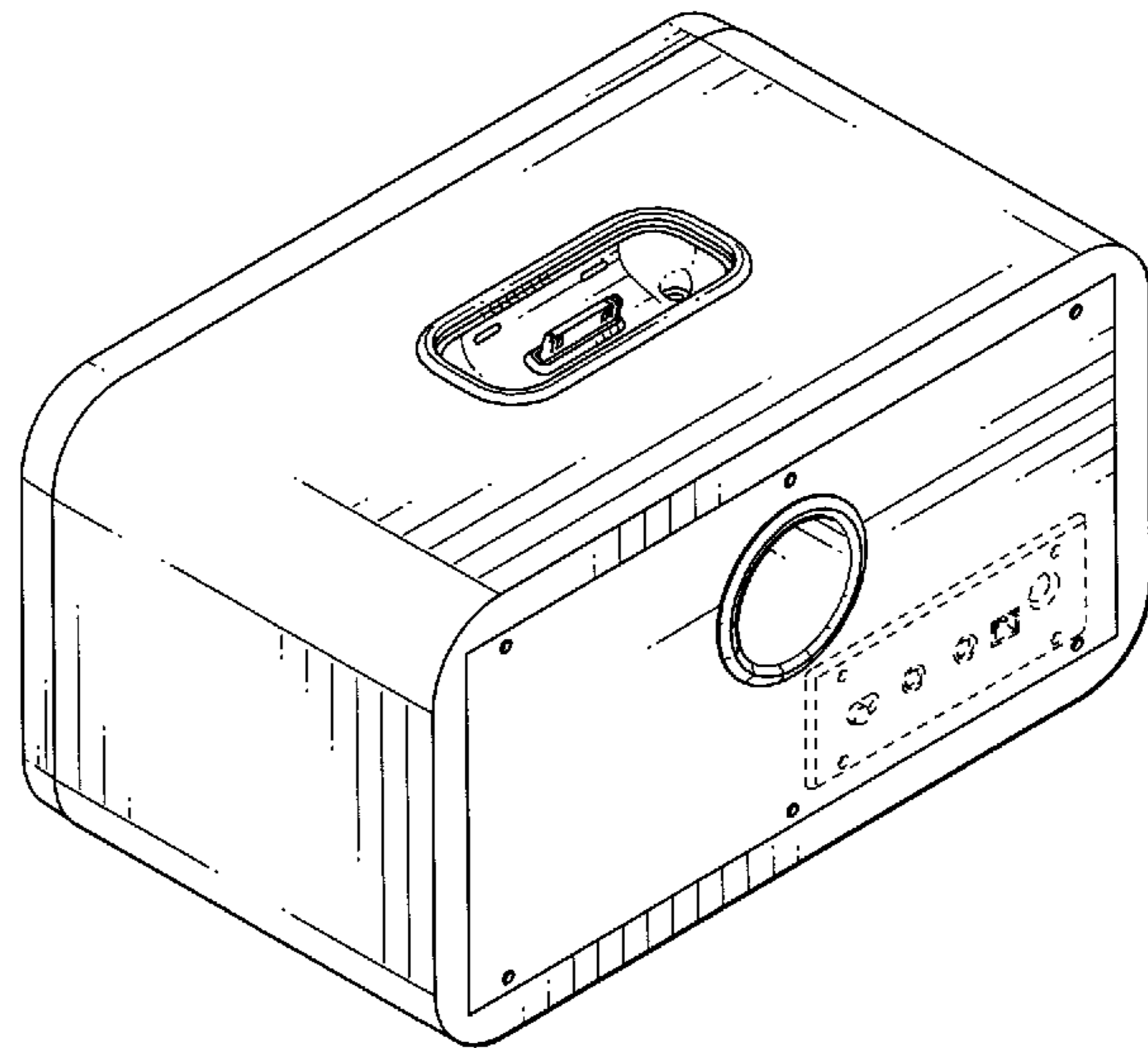
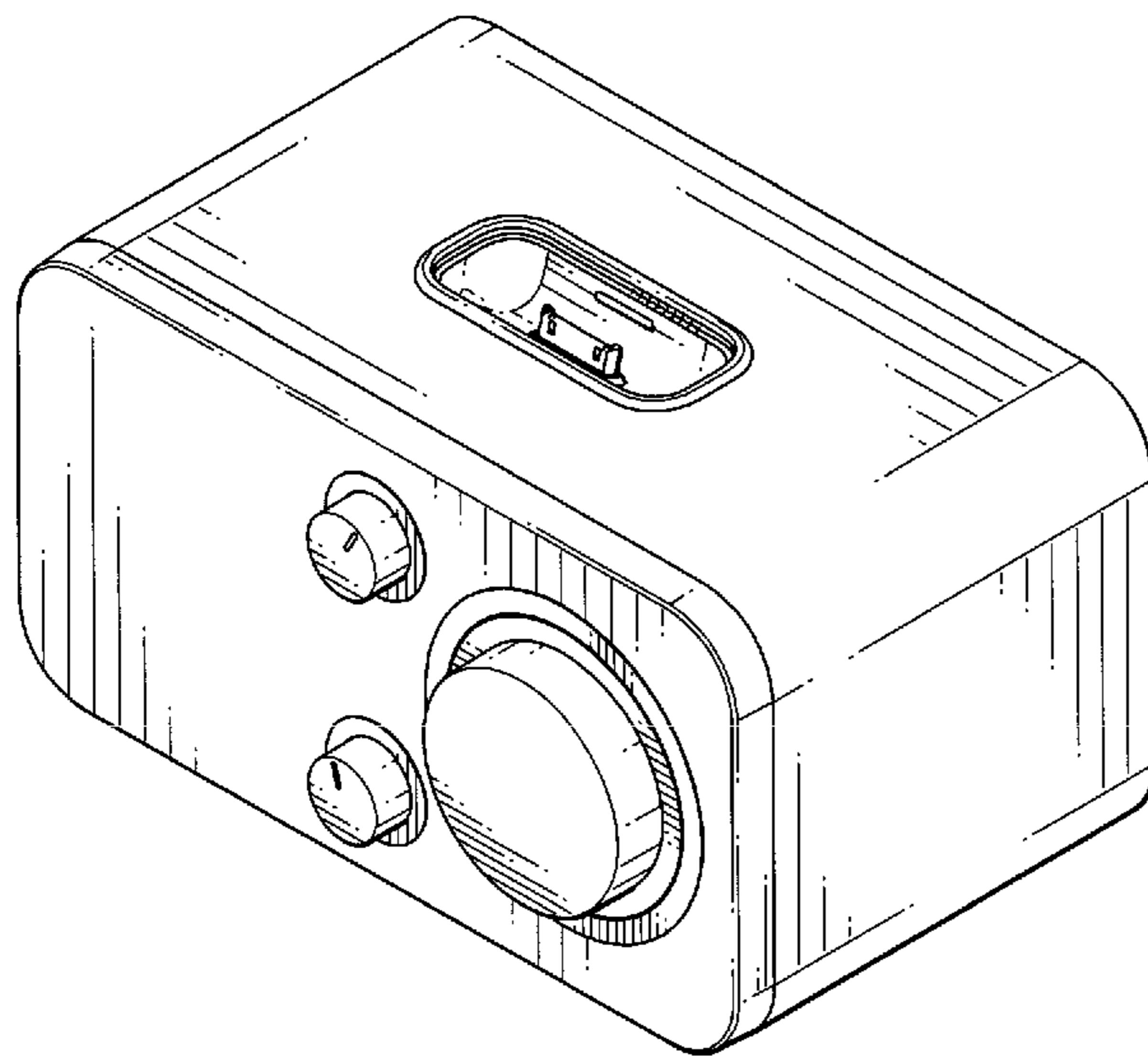
The ornamental design for a radio amplifier for a digital media player, as shown.

**DESCRIPTION**

FIG. 1 is a top, front, right side, perspective view of a radio amplifier for a digital media player showing my new design; FIG. 2 is a top, rear, left side, perspective view thereof; FIG. 3 is a front view thereof; FIG. 4 is a rear view thereof; FIG. 5 is a left side view thereof; FIG. 6 is a right side view thereof; FIG. 7 is a top view thereof; and, FIG. 8 is a bottom view thereof.

The broken line showing of the plugs and ports is included for the purpose of illustrating environmental structure and forms no part of the claimed design.

**1 Claim, 4 Drawing Sheets**



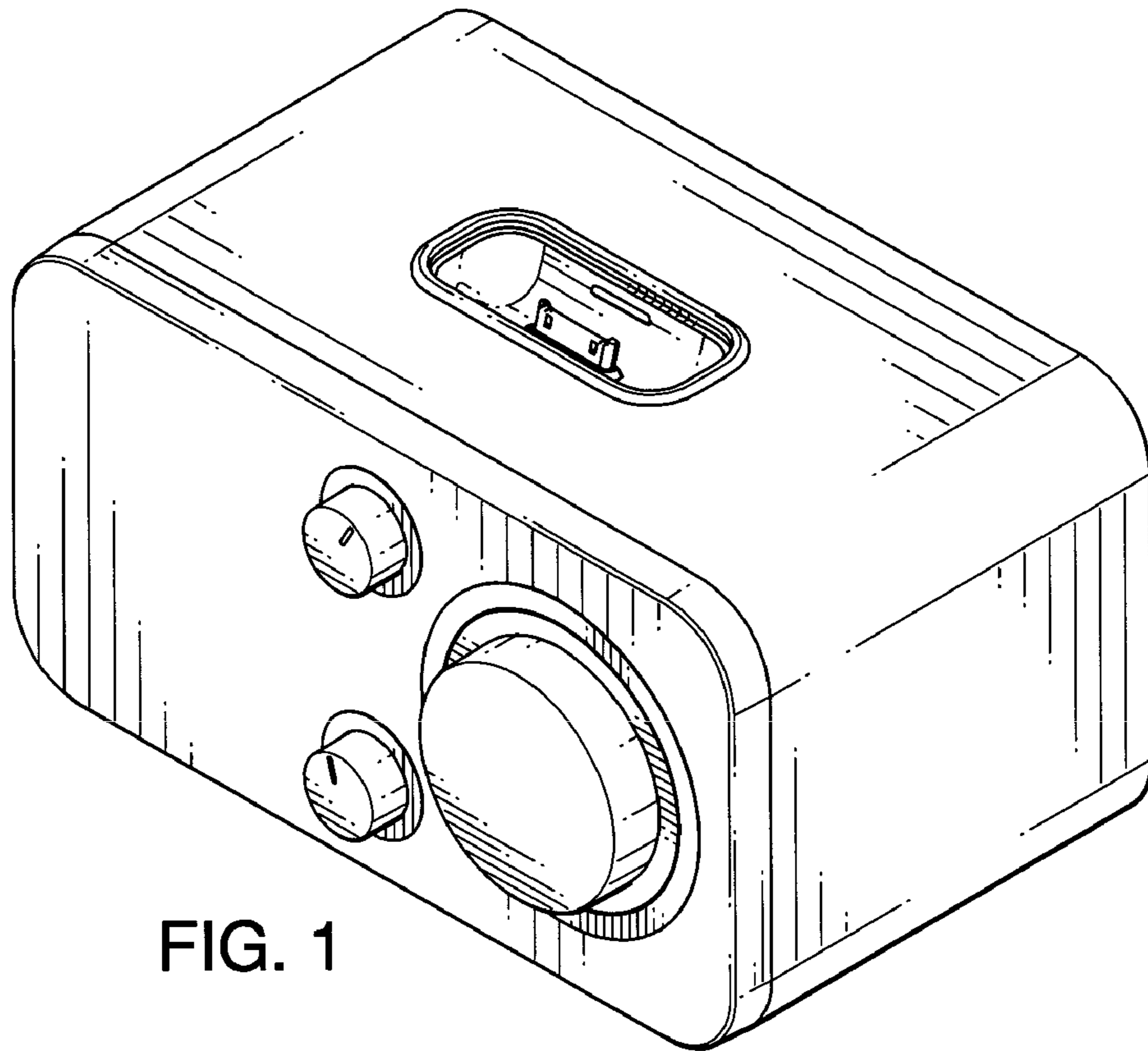


FIG. 1

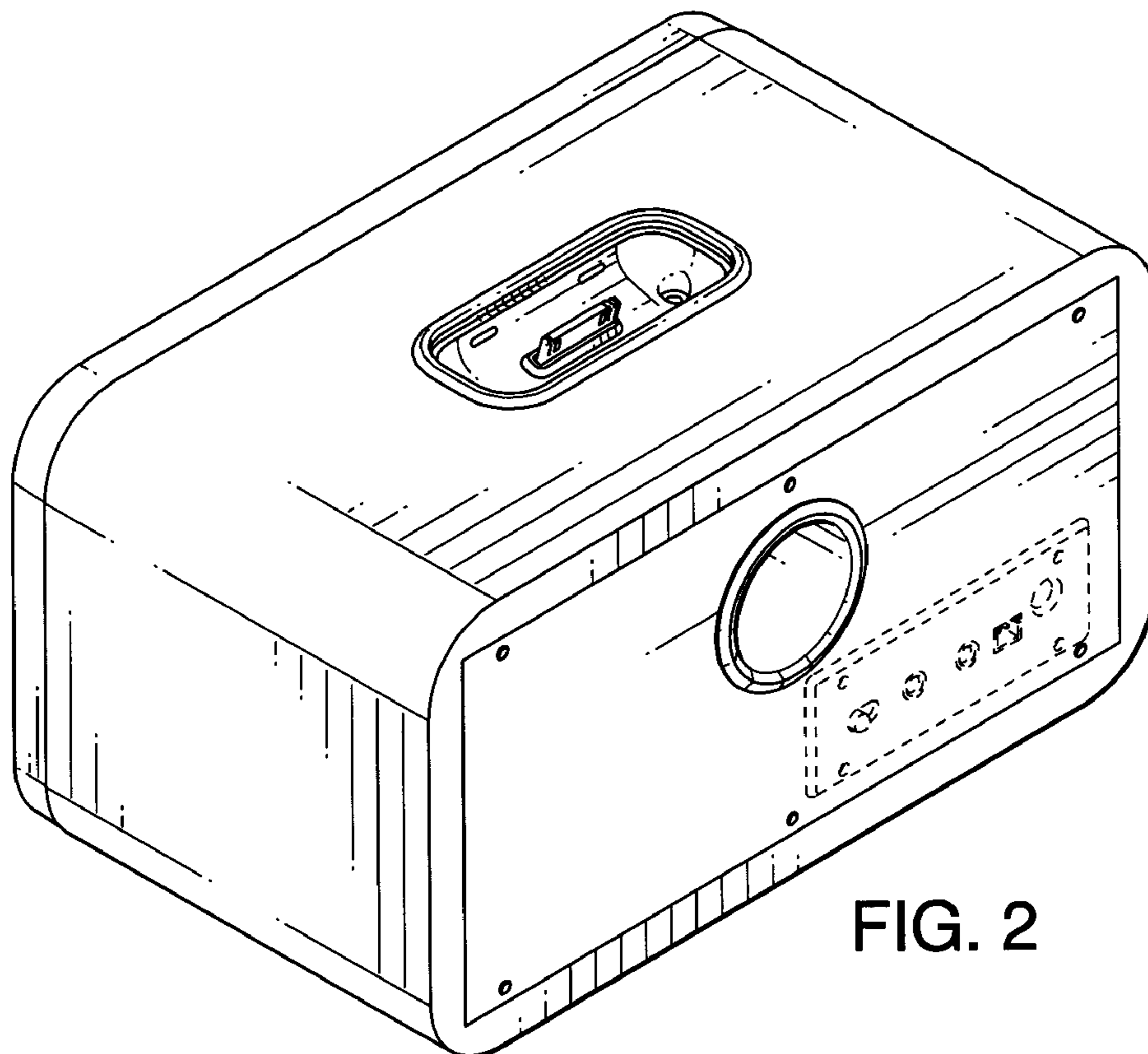


FIG. 2

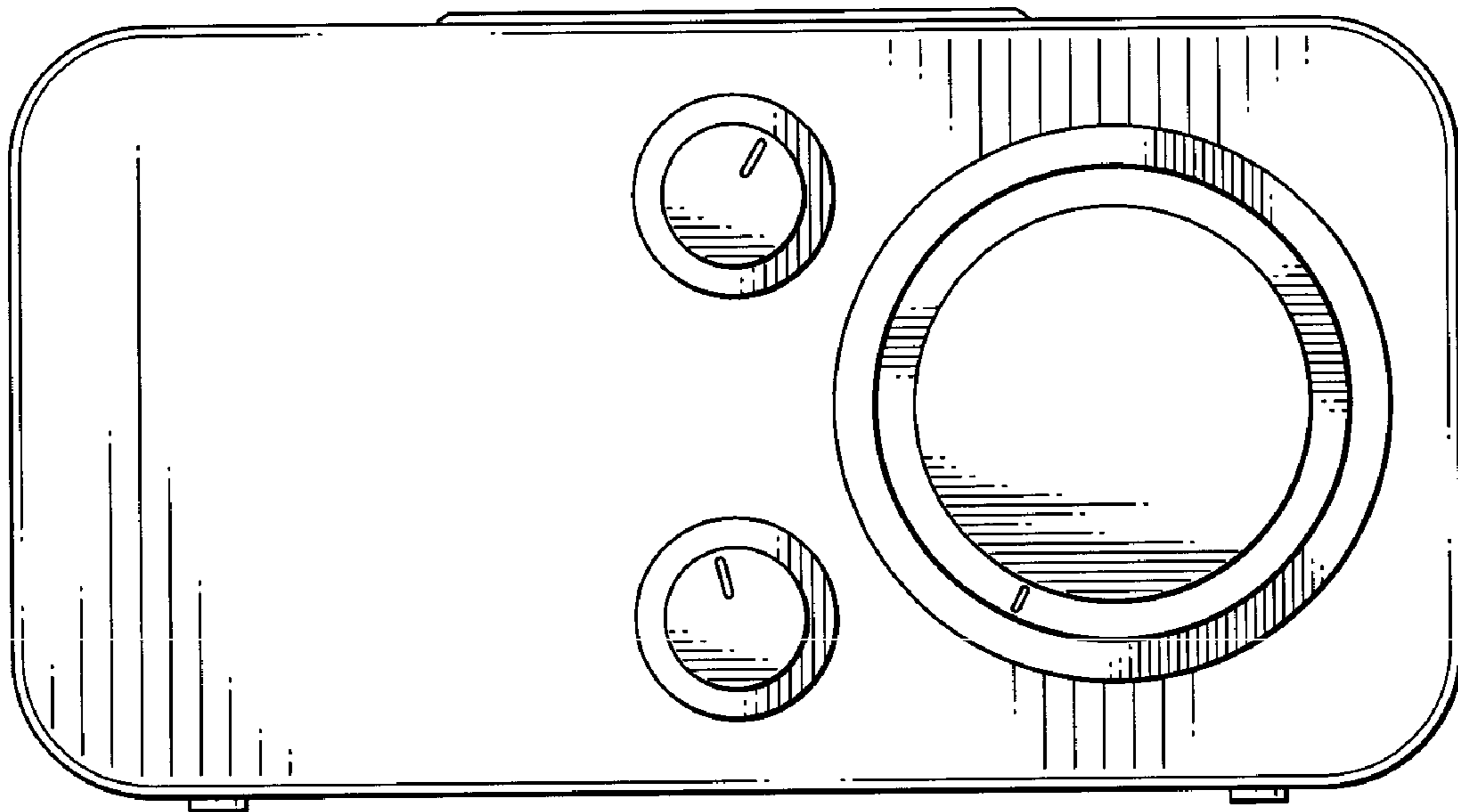


FIG. 3

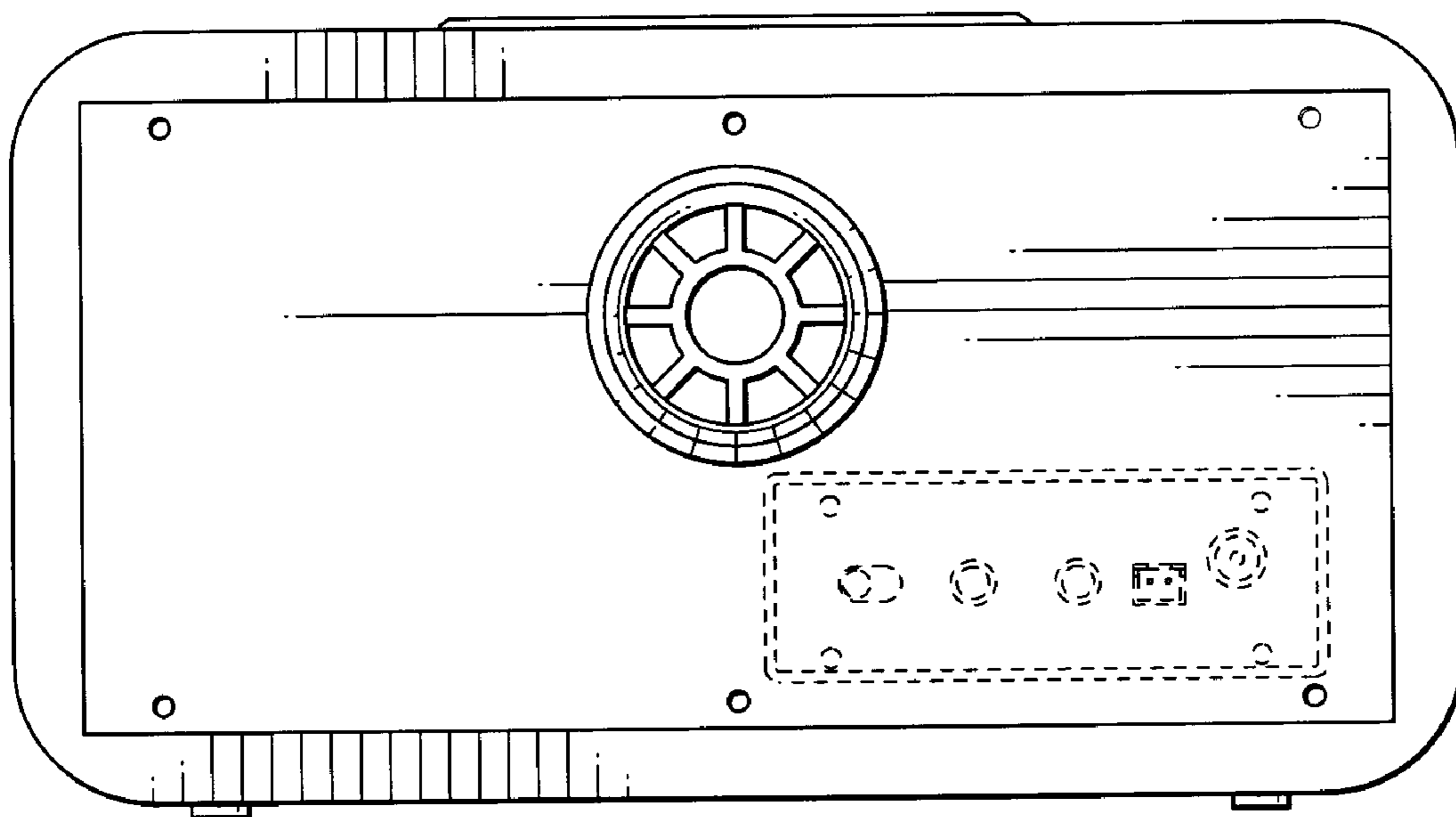


FIG. 4

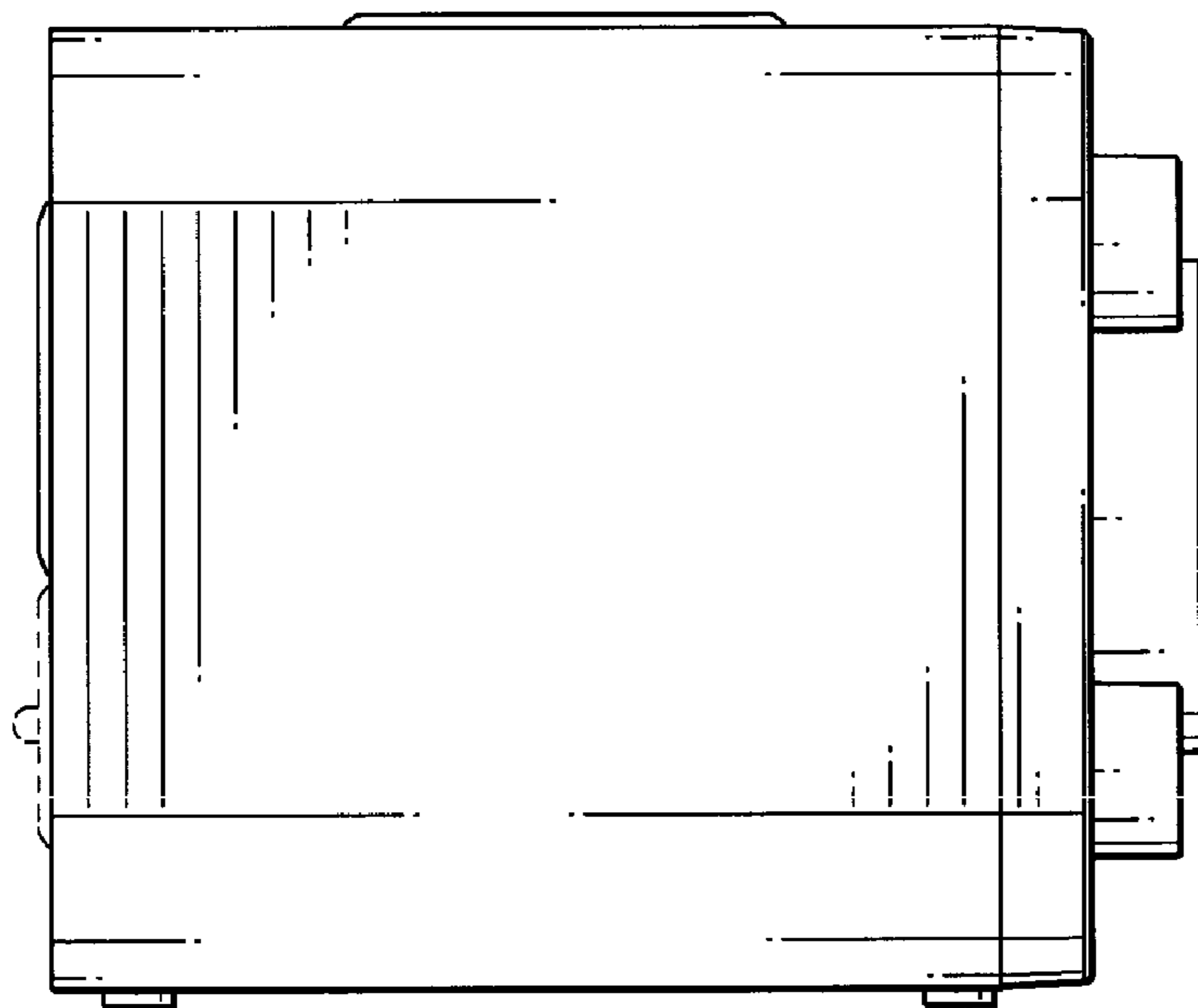


FIG. 5

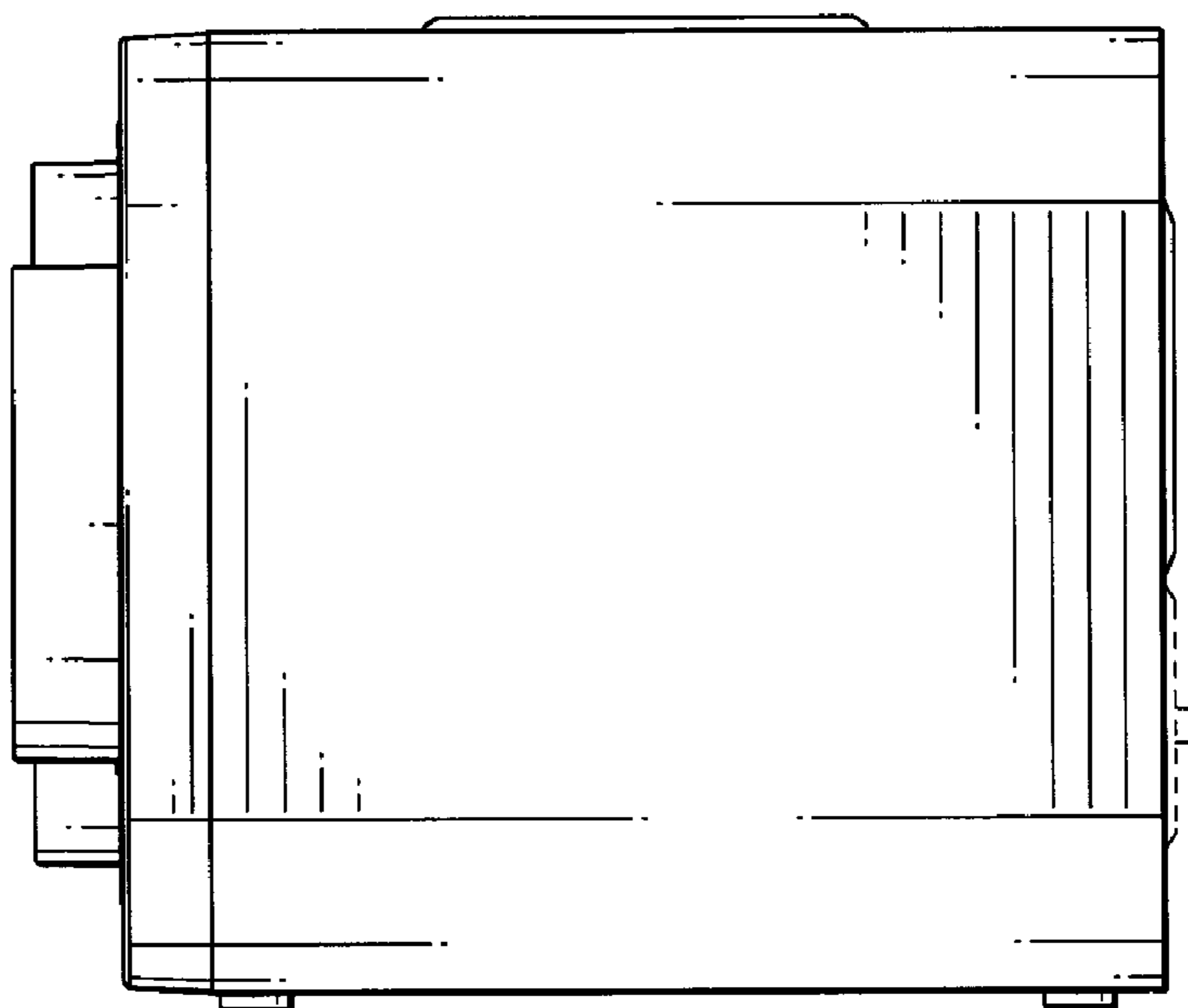


FIG. 6

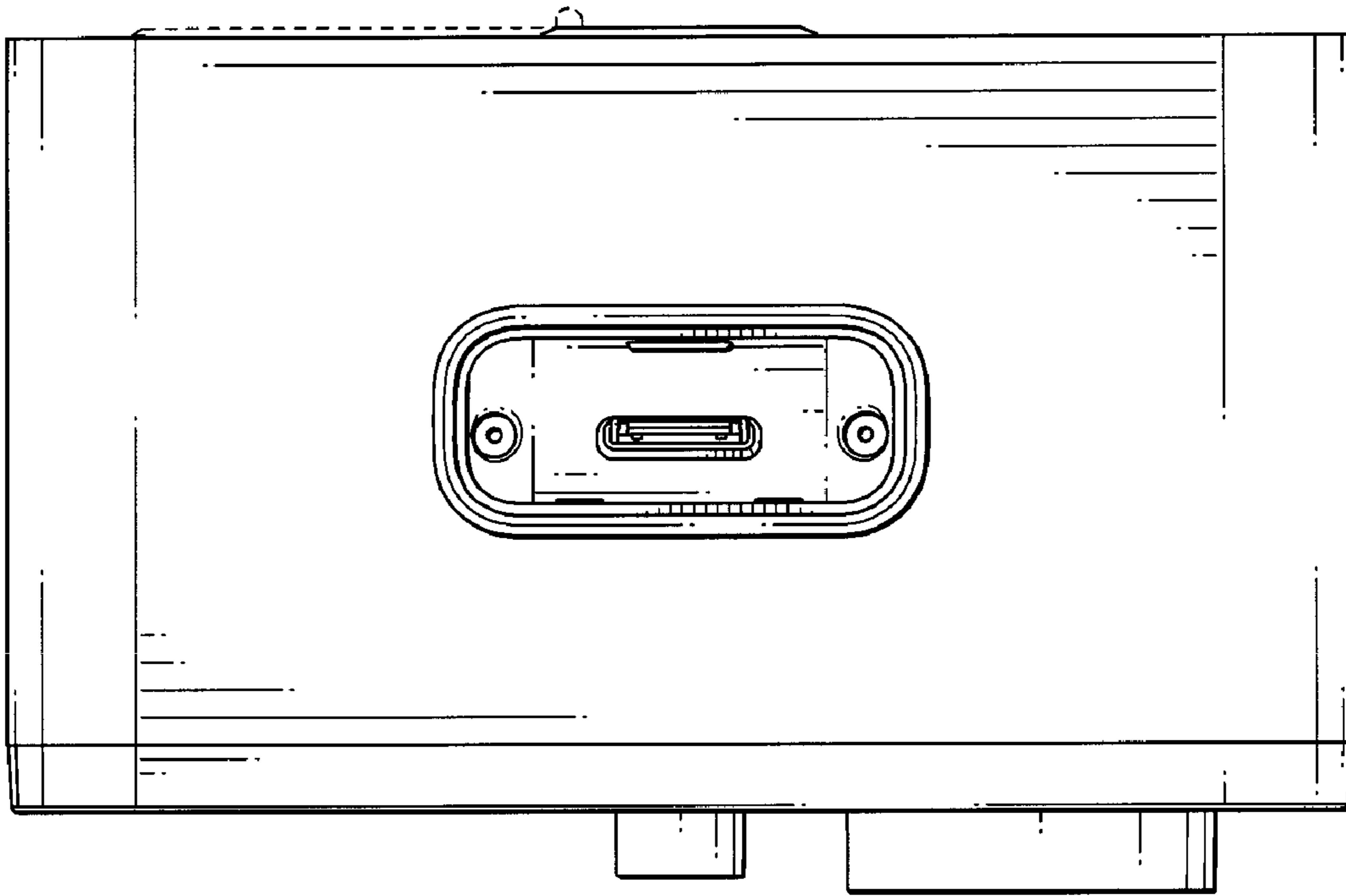


FIG. 7



FIG. 8