



US00D572230S

(12) **United States Design Patent**
Neu et al.

(10) **Patent No.:** **US D572,230 S**
(45) **Date of Patent:** **** Jul. 1, 2008**

(54) **ELECTRICAL DEVICE**

(75) Inventors: **Thorben Neu**, Los Angeles, CA (US);
David Kleeman, Marina Del Rey, CA
(US); **Oliver Duncan Seil**, Pasadena, CA
(US)

(73) Assignee: **Belkin International, Inc.**, Compton,
CA (US)

(**) Term: **14 Years**

(21) Appl. No.: **29/285,529**

(22) Filed: **Mar. 30, 2007**

(51) **LOC (8) Cl.** **14-03**

(52) **U.S. Cl.** **D14/155**

(58) **Field of Classification Search** D14/358,
D14/299, 248, 240, 218, 191, 188, 162, 155,
D14/137, 226; D13/168, 110, 144; D10/121,
D10/104, 106; 439/668; 455/353, 351
See application file for complete search history.

(56) **References Cited**

U.S. PATENT DOCUMENTS

D85,176 S	9/1931	Garretson
D317,579 S	6/1991	Shalvi
5,230,563 A	7/1993	Shalvi
D357,201 S	4/1995	Novack
D381,662 S	7/1997	Weissberg et al.
D435,580 S	12/2000	Grinkus

(Continued)

OTHER PUBLICATIONS

Internet. *Belkin Catalog*; Mobile FM Transmitter; http://catalog.belkin.com/TWCatProductPage.process?Merchant_Id=1

&Product_Id=158087; Dec. 3, 2003.
Internet. *Griffin Technology*; [<http://www.griffintechology.com/products/itrip/index.html>]; Dec. 3, 2003.
Internet. *Belkin Catalog*; [http://catalog.belkin.com/TWCatProductPage.process?Merchant_Id=&Product_Id=140984]; Dec. 3, 2003.
Internet. FriendTech; iDea Travel Kit for the iPod and PSP; http://www.friendtech.com/pages/idea_travel_kit.htm; Jun. 15, 2006.
Internet. *Belkin Catalog*; TuneCast Mobile FM Transmitter; http://catalog.belkin.com/TWCatProductPage.process?Merchant_Id=&Section_Id=201526&pcount=&Product_Id=140984; Oct. 14, 2003.

Primary Examiner—Cathron Brooks

Assistant Examiner—Austin Murphy

(74) *Attorney, Agent, or Firm*—Bryan Cave LLP

(57) **CLAIM**

We claim the ornamental design for an electrical device, as shown and described.

DESCRIPTION

FIG. 1 is a front, top, right side isometric view of the electrical device;

FIG. 2 is a front view thereof;

FIG. 3 is a back view thereof;

FIG. 4 is a bottom view thereof;

FIG. 5 is a top view thereof;

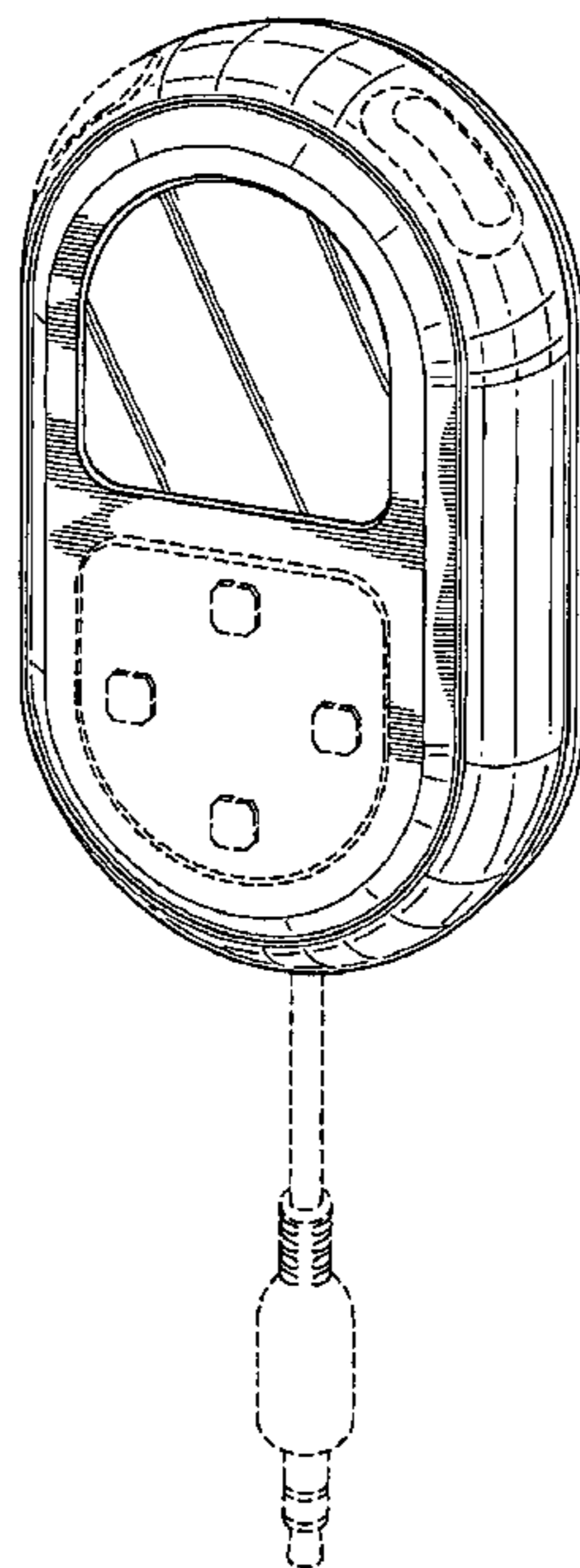
FIG. 6 is a top, left side view thereof;

FIG. 7 is a top, right side view thereof; and,

FIG. 8 is a right side view thereof.

The broken lines in the drawings are for illustrative purposes only and form no part of the claimed design.

1 Claim, 4 Drawing Sheets



US D572,230 S

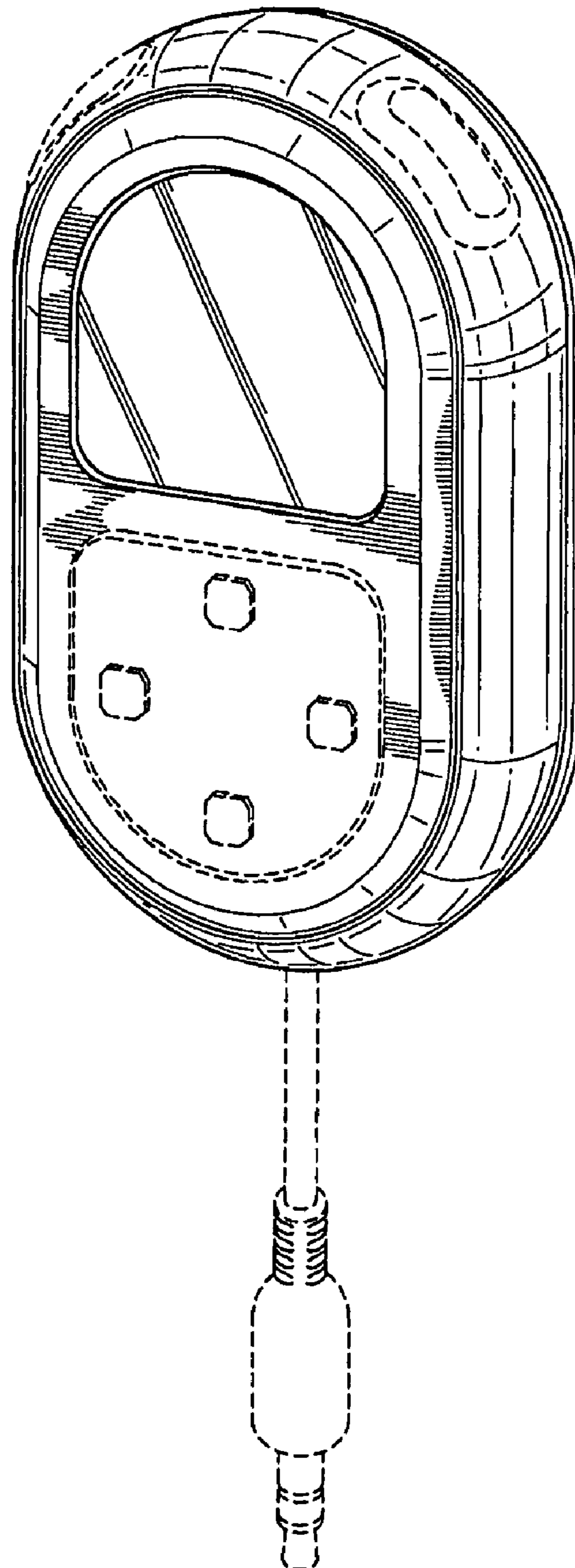
Page 2

U.S. PATENT DOCUMENTS

D462,022 S	8/2002	Luebke et al.	
D463,990 S	10/2002	Wysocki	
D473,204 S *	4/2003	Tanio	D14/167
D479,712 S	9/2003	Ng	
D483,281 S	12/2003	Cobigo	
D487,470 S	3/2004	Cobigo	
D487,735 S	3/2004	Wu et al.	
D489,696 S	5/2004	Cho	
D489,713 S	5/2004	Yusa	
D495,665 S	9/2004	Stekelenburg	
D496,638 S *	9/2004	Deubler, Jr.	D14/138
D496,639 S	9/2004	Deubler, Jr.	
D498,219 S	11/2004	Hamann	
D500,484 S	1/2005	Deguchi	
D506,989 S	7/2005	Seil et al.	
D508,028 S *	8/2005	Deubler, Jr.	D14/138
D510,046 S *	9/2005	Li	D10/106
D510,584 S *	10/2005	Tierney	D14/496
D515,058 S *	2/2006	Boyd	D14/138
D521,526 S *	5/2006	Suckle et al.	D14/496
D525,962 S *	8/2006	Elson	D14/149
D526,990 S *	8/2006	Slevin et al.	D14/149
D527,666 S *	9/2006	Tal et al.	D10/106
D547,223 S *	7/2007	Tal et al.	D10/116
D548,728 S *	8/2007	Yoshiyama	D14/218
D555,146 S *	11/2007	Sandy et al.	D14/167
D561,703 S *	2/2008	Shimokawa et al.	D13/168
D561,730 S *	2/2008	Deubler et al.	D14/138
2004/0224717 A1 *	11/2004	Hertzberg et al.	455/550.1

* cited by examiner

FIG. 1



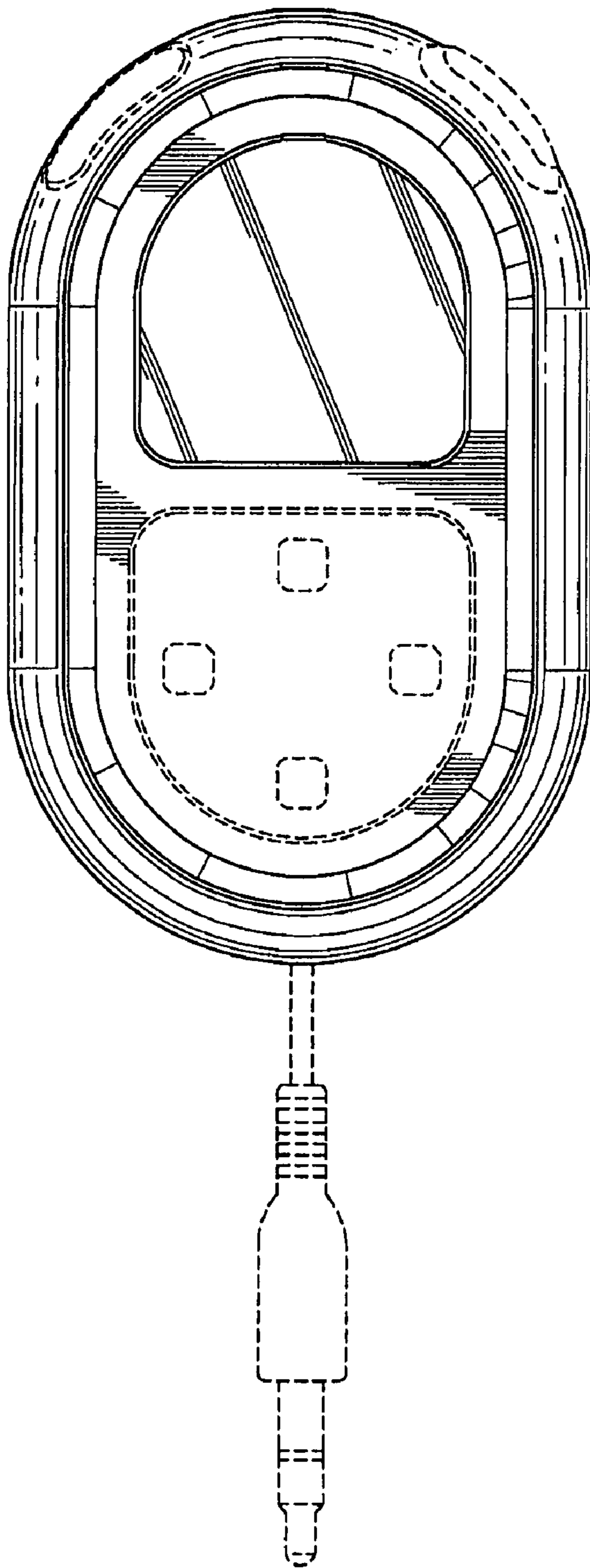


FIG. 2

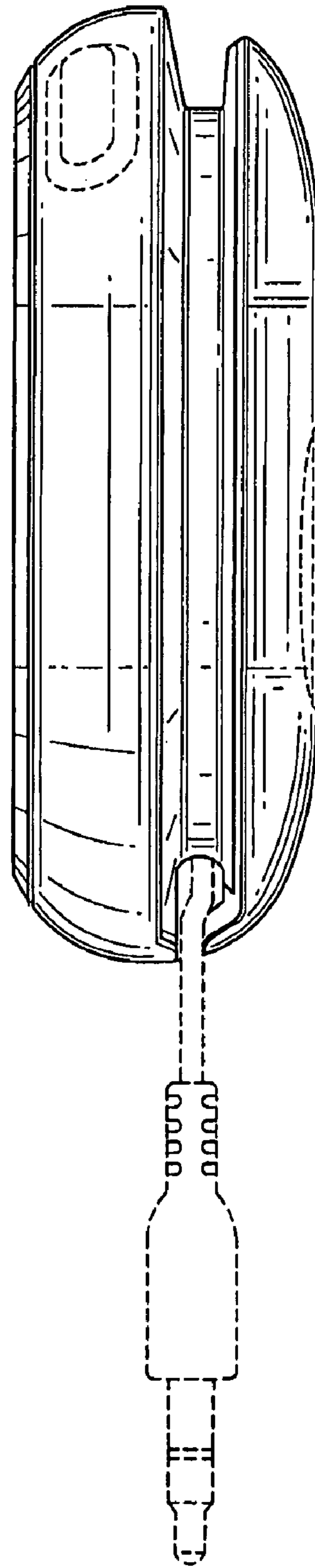


FIG. 8

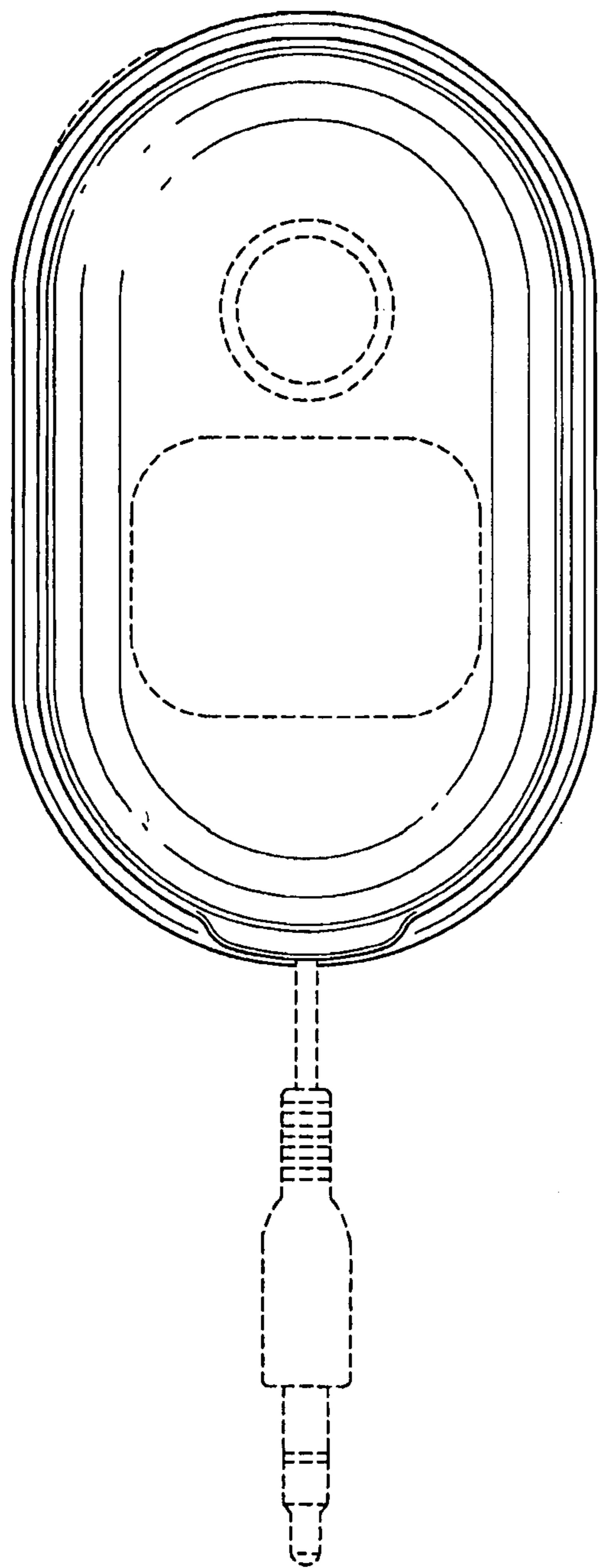


FIG. 3

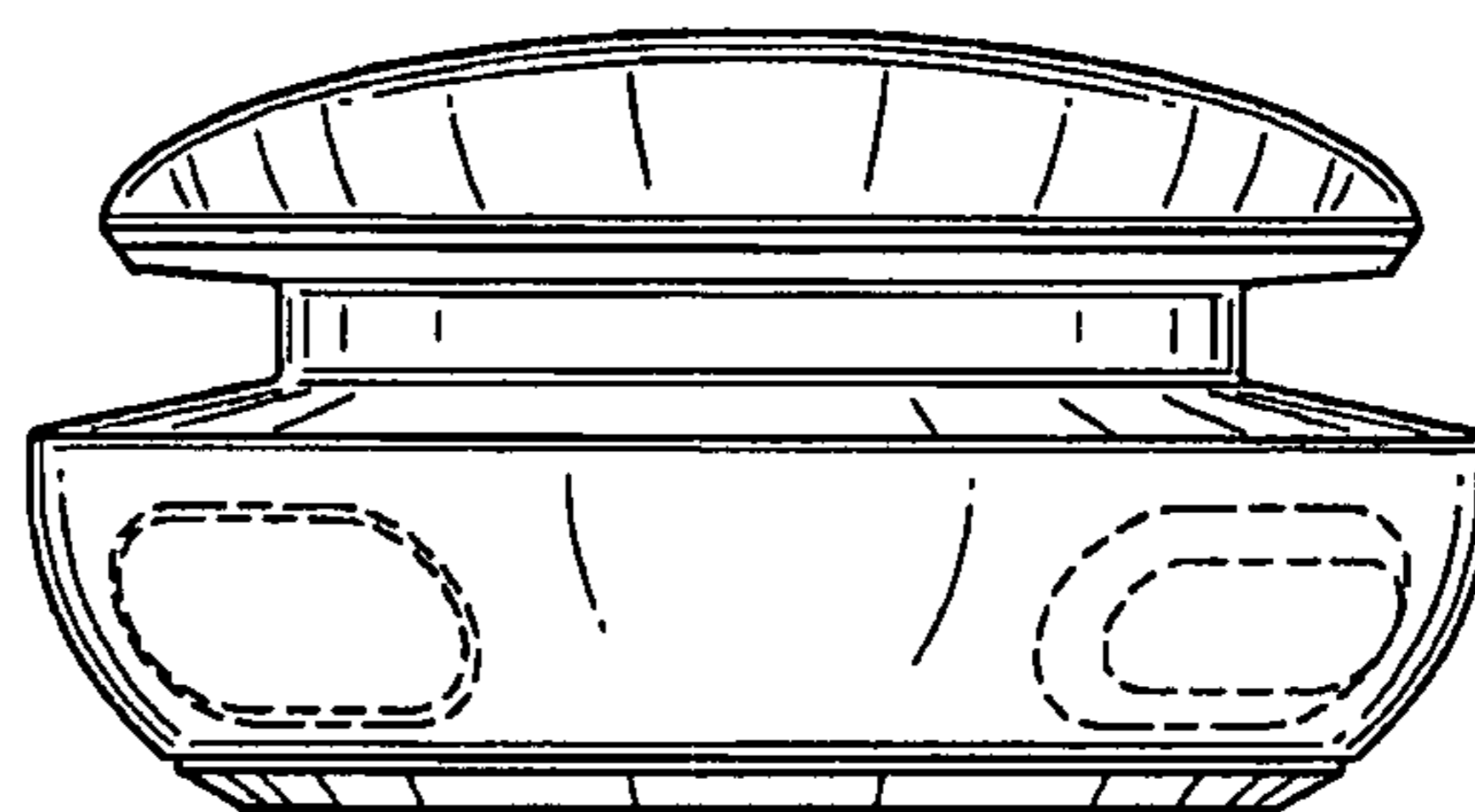


FIG. 5

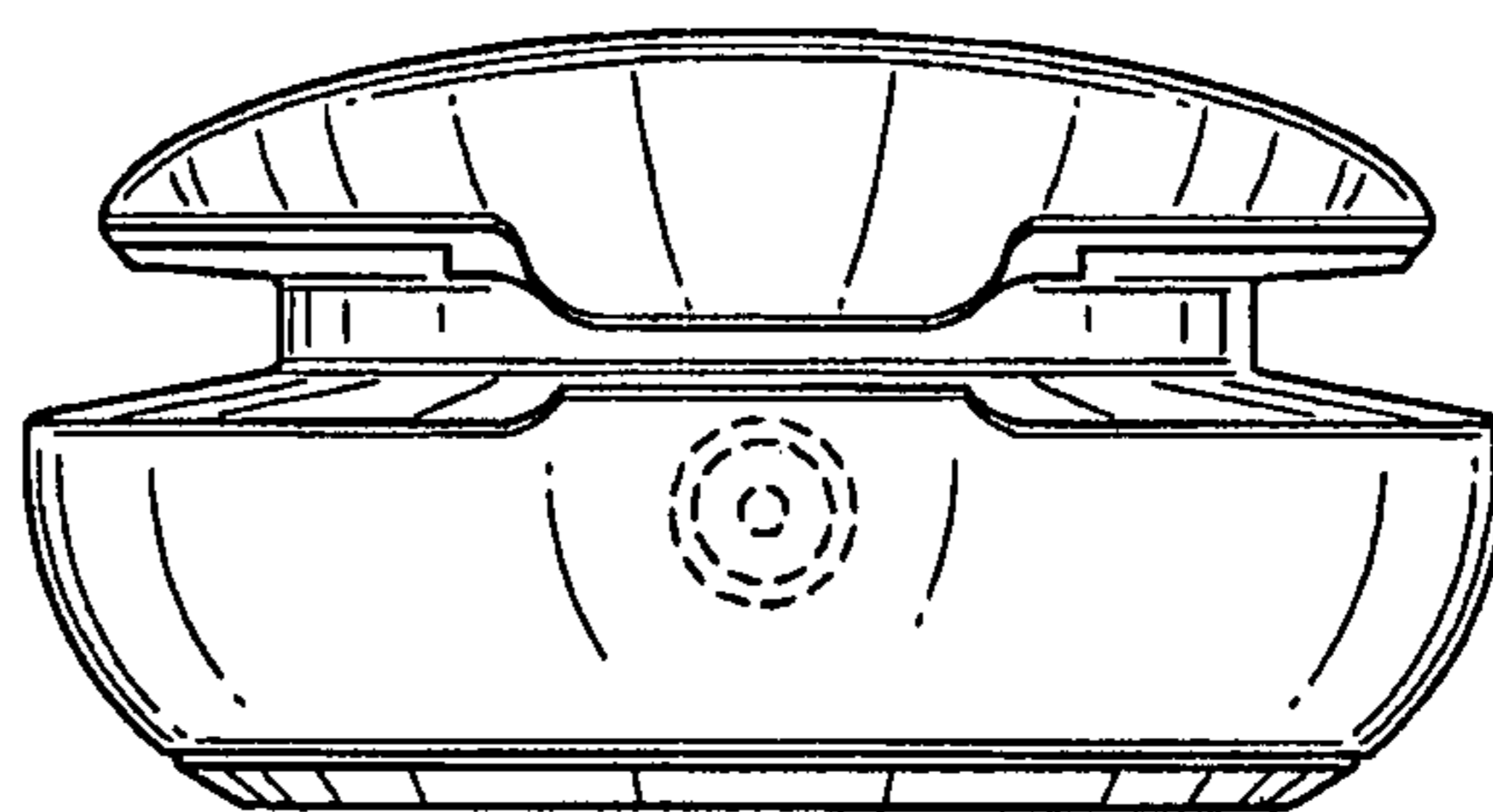


FIG. 4

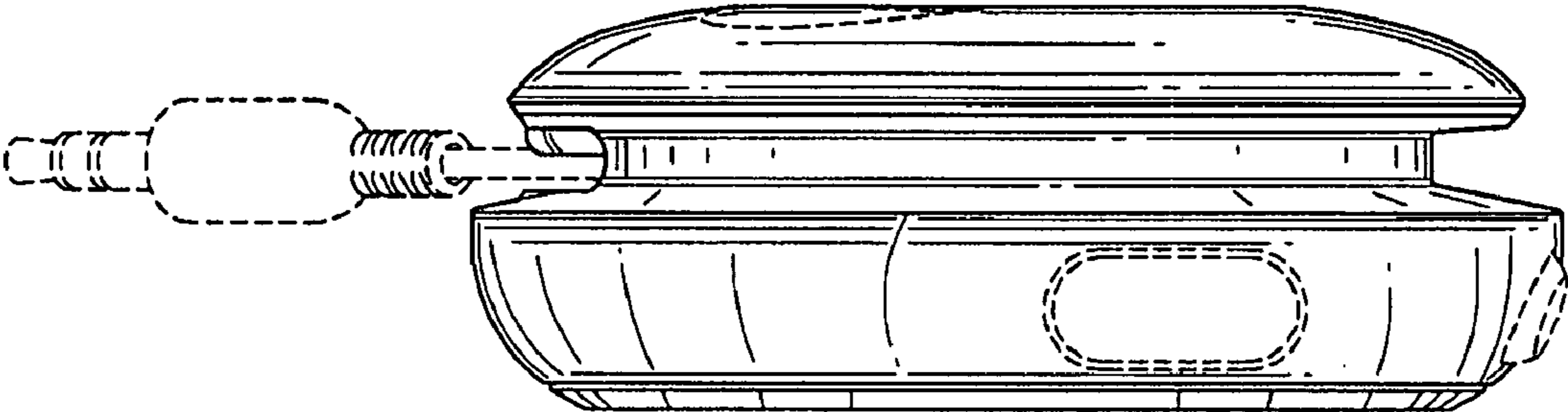


FIG. 6

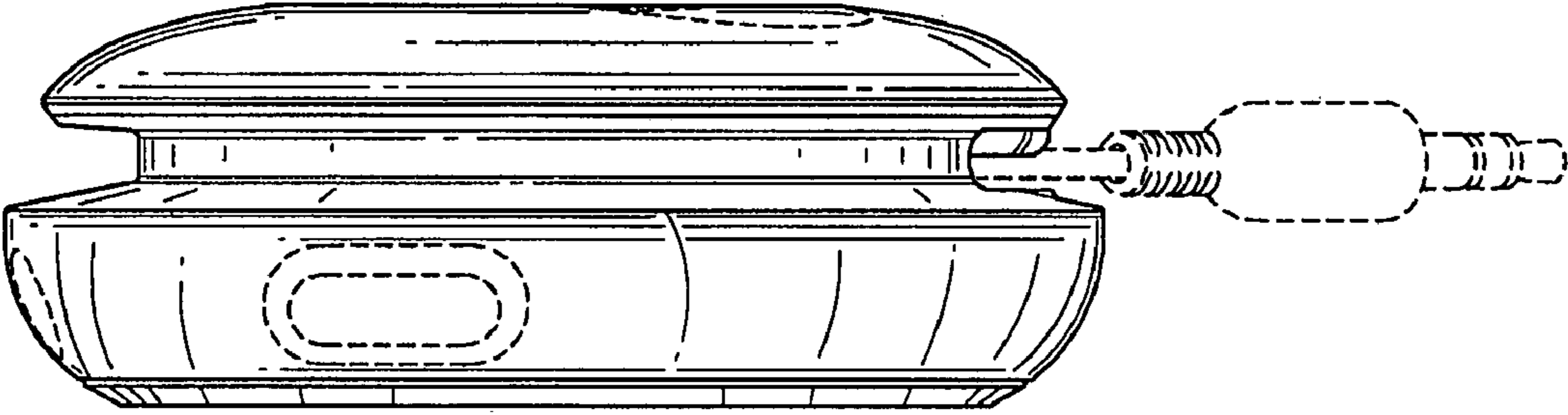


FIG. 7