



US00D572227S

(12) **United States Design Patent**
Yoon et al.

(10) **Patent No.:** **US D572,227 S**
(45) **Date of Patent:** **** Jul. 1, 2008**

(54) **MOBILE PHONE**

(75) Inventors: **Hyun Jin Yoon**, Gyeonggi-do (KR);
Chang Hoon Lee, Seoul (KR); **Seung Chul Cho**, Seoul (KR)

(73) Assignee: **LG Electronics Inc.**, Seoul (KR)

(**) Term: **14 Years**

(21) Appl. No.: **29/283,435**

(22) Filed: **Aug. 14, 2007**

(30) **Foreign Application Priority Data**

Feb. 15, 2007 (KR) 30-2007-0007073

(51) **LOC (8) Cl.** **14-03**

(52) **U.S. Cl.** **D14/138**

(58) **Field of Classification Search** D14/137,
D14/138, 147, 191, 218, 247-248, 341-347,
D14/496; D10/65, 78, 104; D13/168; D18/7;
455/90.3, 556.1, 566, 575.1, 575.3, 575.4

See application file for complete search history.

(56) **References Cited**

U.S. PATENT DOCUMENTS

| | | | | | |
|-----------|------|---------|---------------|-------|-----------|
| D387,078 | S * | 12/1997 | Akita | | D16/202 |
| D406,114 | S * | 2/1999 | Ham et al. | | D14/341 |
| D460,448 | S * | 7/2002 | Matsumoto | | D14/346 |
| 6,546,231 | B1 * | 4/2003 | Someya et al. | | 455/550.1 |
| D488,468 | S * | 4/2004 | Hu | | D14/341 |
| D491,543 | S * | 6/2004 | Chang et al. | | D14/138 |
| D496,645 | S * | 9/2004 | Yoo et al. | | D14/138 |
| D498,736 | S * | 11/2004 | Lee | | D14/138 |
| D502,701 | S * | 3/2005 | Takuma | | D14/345 |
| 6,897,849 | B2 * | 5/2005 | Kim | | 345/160 |
| 6,914,776 | B2 * | 7/2005 | Kim | | 361/683 |
| D526,301 | S * | 8/2006 | Shin | | D14/138 |
| D528,526 | S * | 9/2006 | Shin | | D14/138 |
| D534,516 | S * | 1/2007 | Lheem | | D14/138 |
| D551,645 | S * | 9/2007 | Kim et al. | | D14/138 |
| D551,647 | S * | 9/2007 | Kim et al. | | D14/138 |
| D554,095 | S * | 10/2007 | Cho et al. | | D14/138 |
| D556,165 | S * | 11/2007 | Kim et al. | | D14/138 |

| | | | | | |
|--------------|------|---------|------------------|-------|------------|
| D558,716 | S * | 1/2008 | Bae et al. | | D14/138 |
| D560,192 | S * | 1/2008 | Lee et al. | | D14/138 |
| D560,193 | S * | 1/2008 | Sung et al. | | D14/138 |
| 2002/0123368 | A1 * | 9/2002 | Yamadera et al. | | 455/556 |
| 2006/0166713 | A1 * | 7/2006 | Yeh et al. | | 455/575.1 |
| 2007/0133788 | A1 * | 6/2007 | Ladouceur et al. | | 379/433.07 |
| 2007/0287514 | A1 * | 12/2007 | Lin et al. | | 455/575.1 |
| 2008/0004083 | A1 * | 1/2008 | Ohki et al. | | 455/566 |

OTHER PUBLICATIONS

NEC N940, announced 4th quarter 2004, [online], [retrieved on Feb. 20, 2007]. Retrieved from Internet ,<URL: http://www.gsmarena.com>.*

Philips S900, announced Jun. 2006, [online], [retrieved on Feb. 20, 2007]. Retrieved from Internet ,<URL: http://www.gsmarena.com>.*

(Continued)

Primary Examiner—Jeffrey D. Asch

Assistant Examiner—Bridget L Eland

(74) *Attorney, Agent, or Firm*—Birch, Stewart, Kolasch & Birch, LLP

(57) **CLAIM**

The ornamental design for a mobile phone, as shown and described.

DESCRIPTION

FIG. 1 is a perspective view of a mobile phone showing our new design;

FIG. 2 is a front view thereof;

FIG. 3 is a rear view thereof;

FIG. 4 is a left side view thereof;

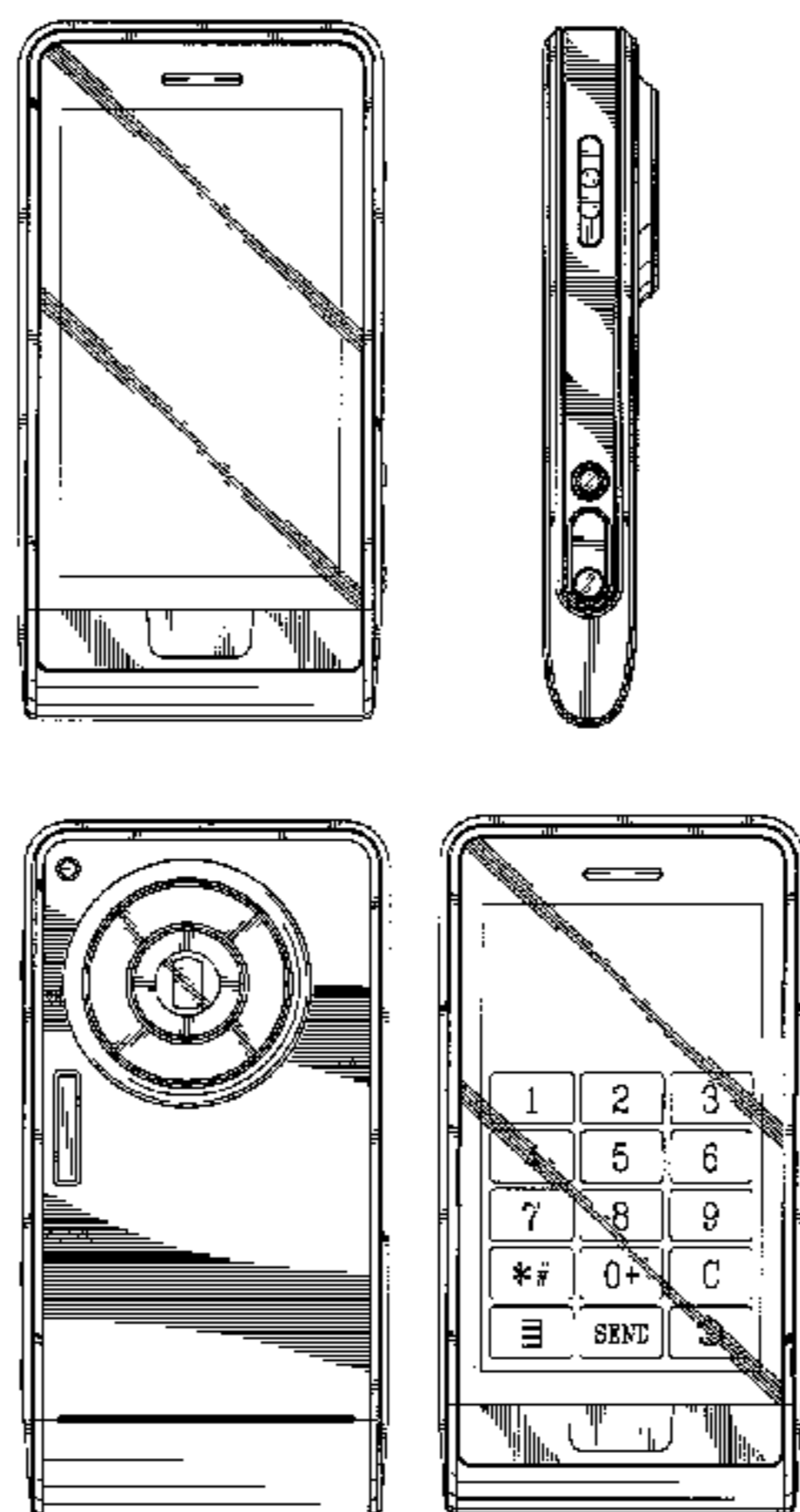
FIG. 5 is a right side view thereof;

FIG. 6 is a top plan view thereof;

FIG. 7 is a bottom plan view thereof; and,

FIG. 8 is a front view thereof showing a key pad on touch screen in operation.

1 Claim, 7 Drawing Sheets



OTHER PUBLICATIONS

NEC N908, announced Jul. 2006, [online], [retrieved on Feb. 20, 2007]. Retrieved from Internet ,<URL: <http://www.gsmarena.com>>.*

Eten glofiish X500, announced Oct. 2006, [online], [retrieved on Feb. 20, 2007]. Retrieved from Internet ,<URL: <http://www.gsmarena.com>>.*

LG KE850 Prada, announced Jan. 2007, [online], [retrieved on Feb. 20, 2007]. Retrieved from Internet ,<URL: <http://www.gsmarena.com>>.*

LG KU970, announced Feb. 2007, [online], [retrieved on Feb. 20, 2007]. Retrieved from Internet ,<URL: <http://www.gsmarena.com>>.*

Samsung P520, announced Jul. 2007, [online], [retrieved on Aug. 6, 2007]. Retrieved from Internet ,<URL: <http://www.gsmarena.com>>.*

LG KU990 Viewty, announced Aug. 2007, [online], [retrieved on Sep. 15, 2007]. Retrieved from Internet ,<URL: <http://www.gsmarena.com>>.*

* cited by examiner

FIG. 1

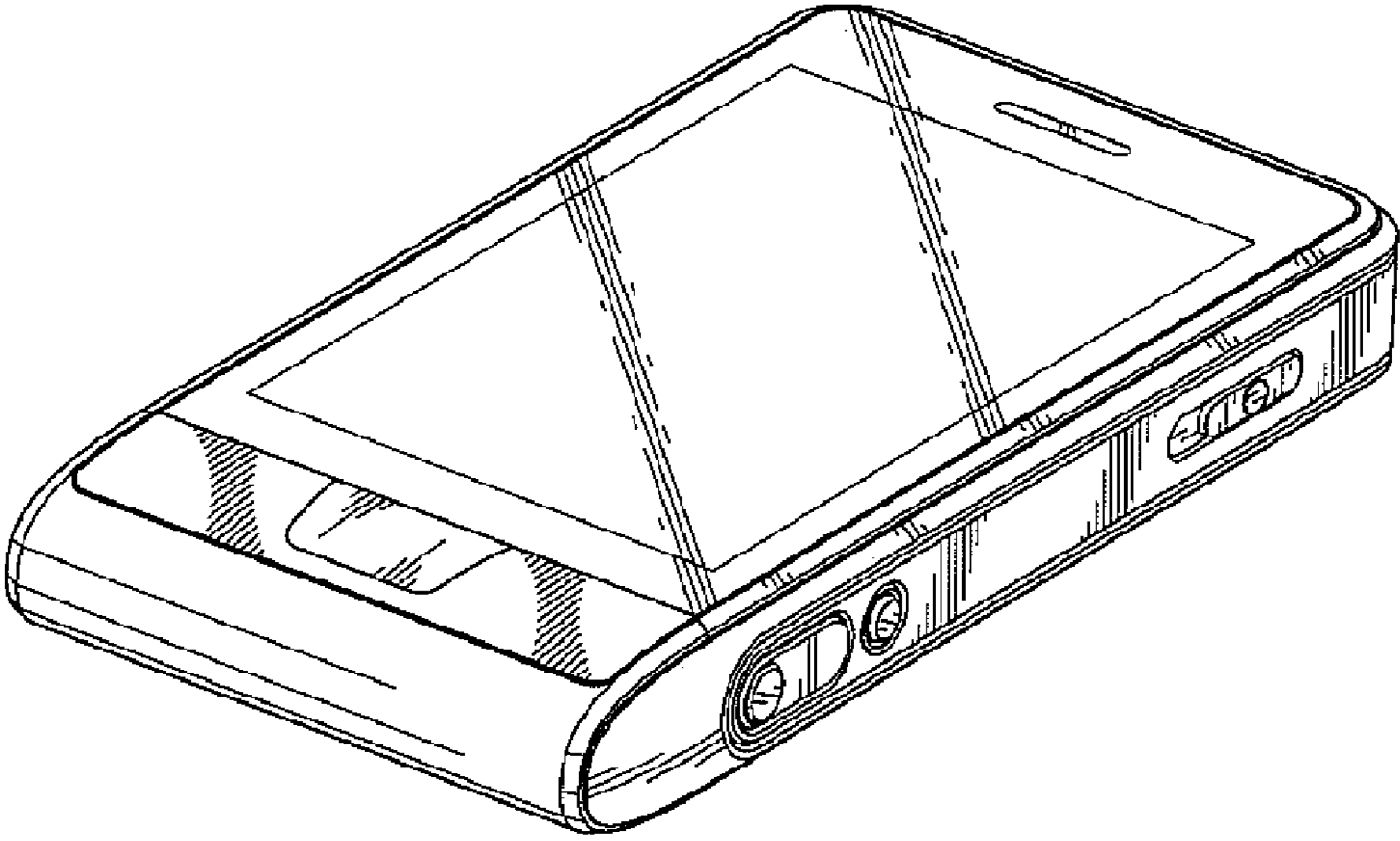


FIG. 2

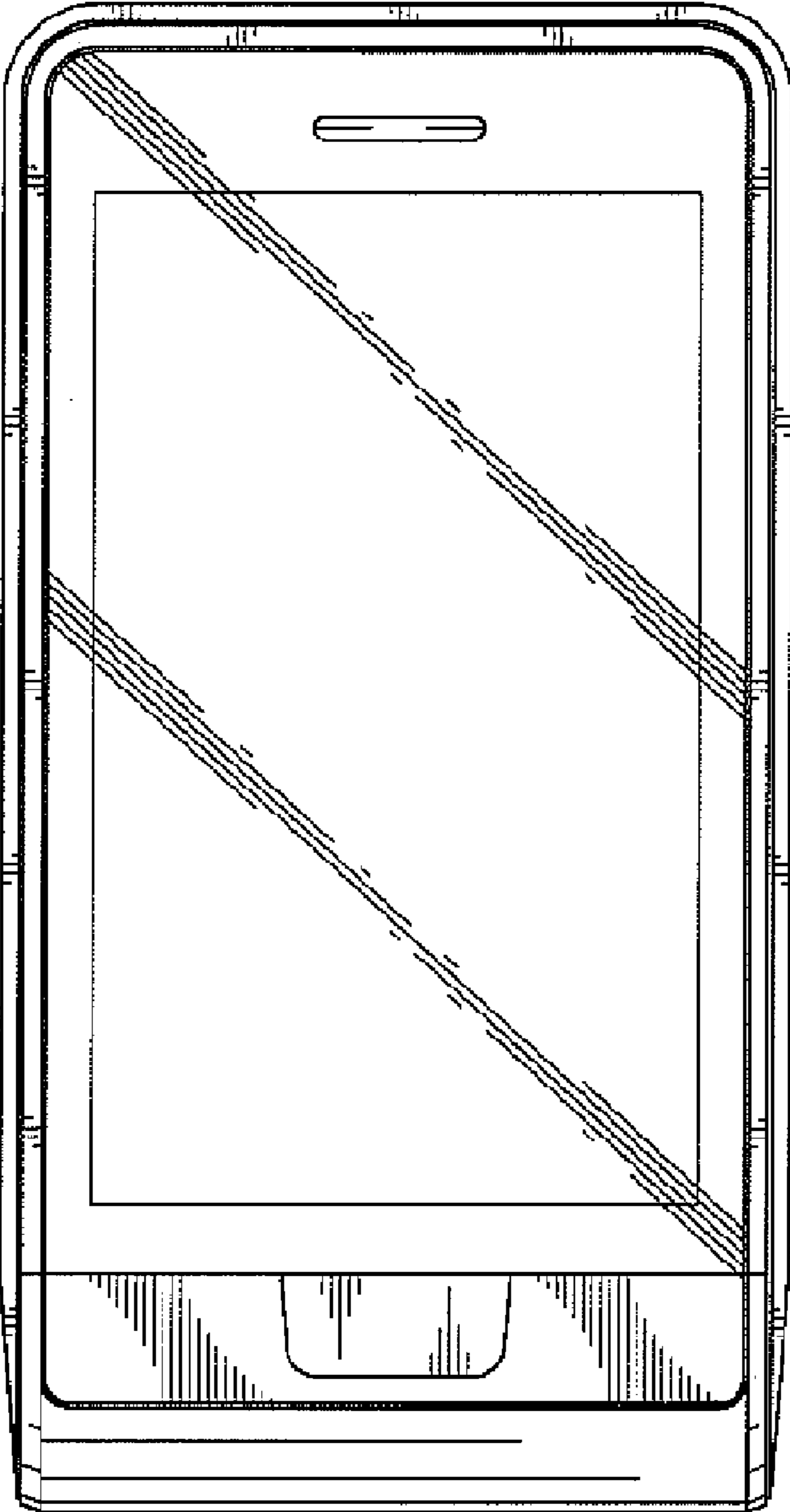


FIG. 3

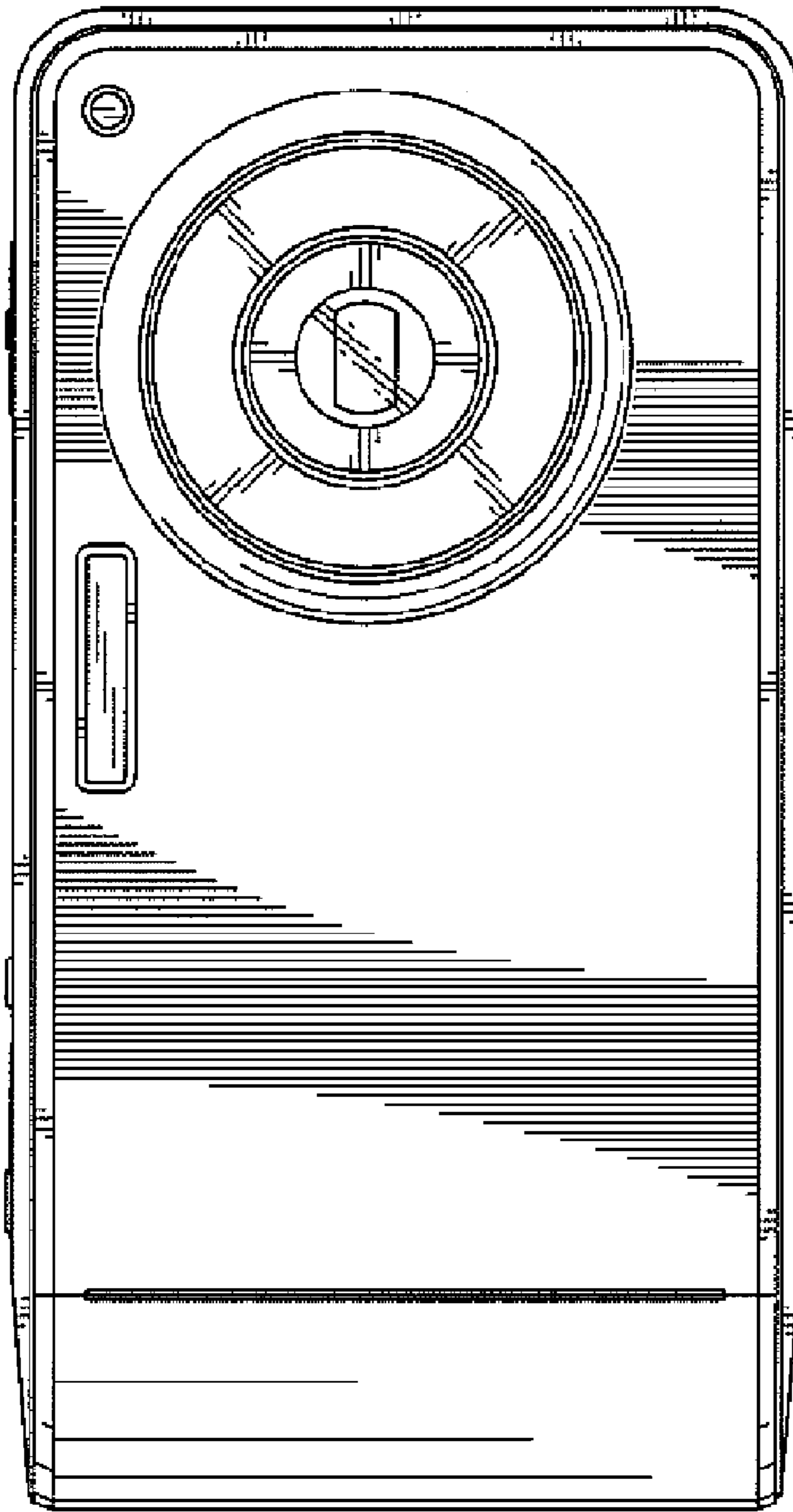


FIG. 4

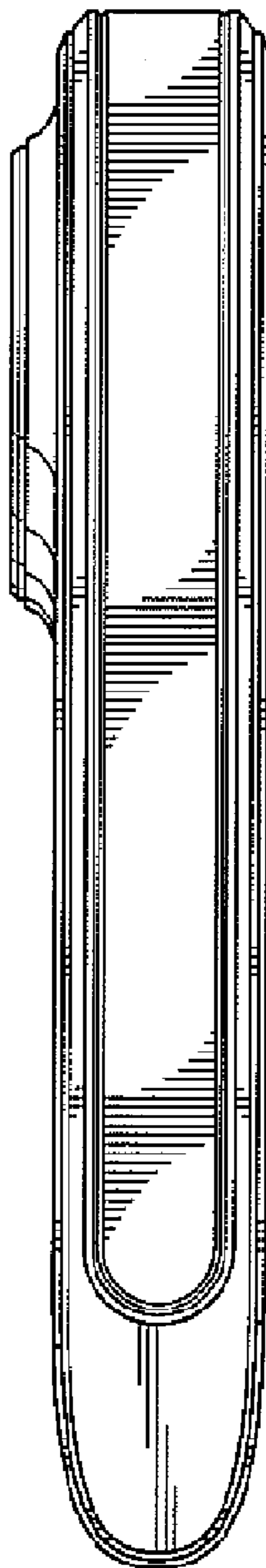


FIG. 5

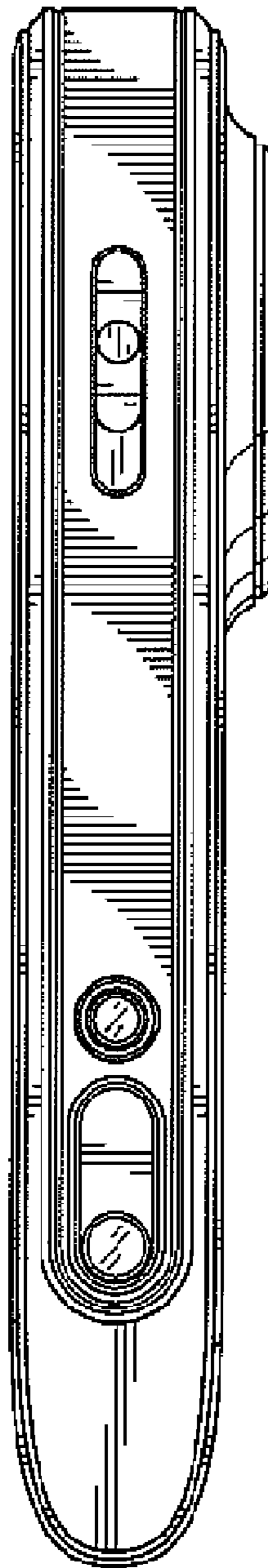


FIG. 6

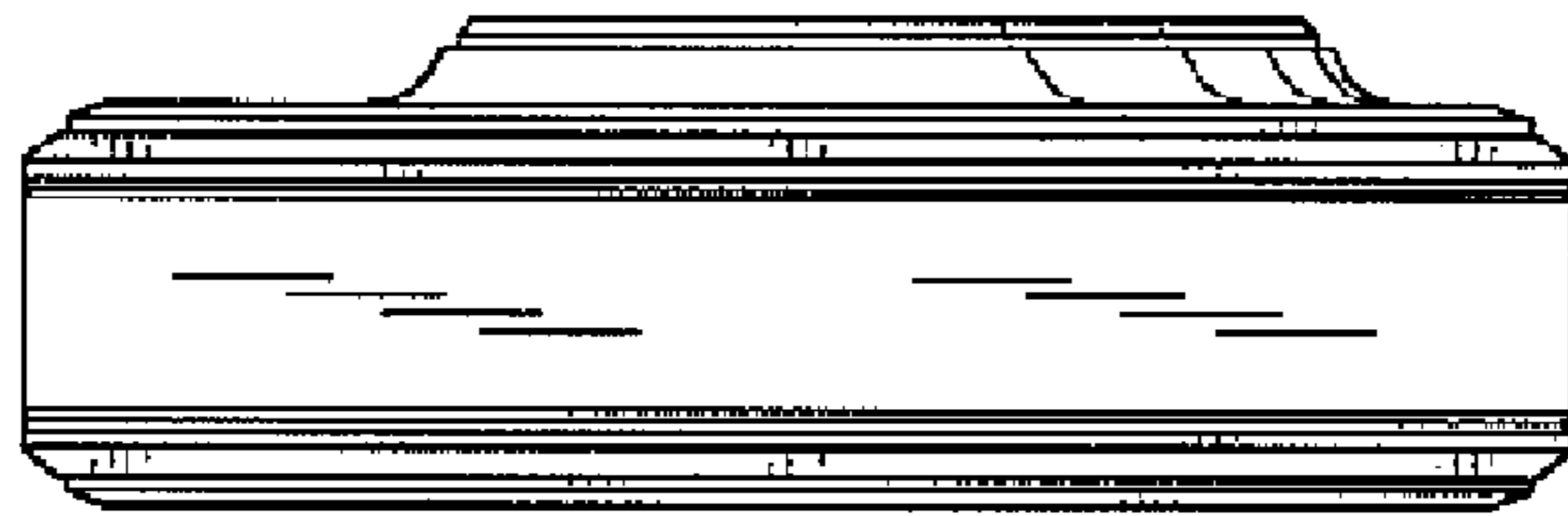


FIG. 7

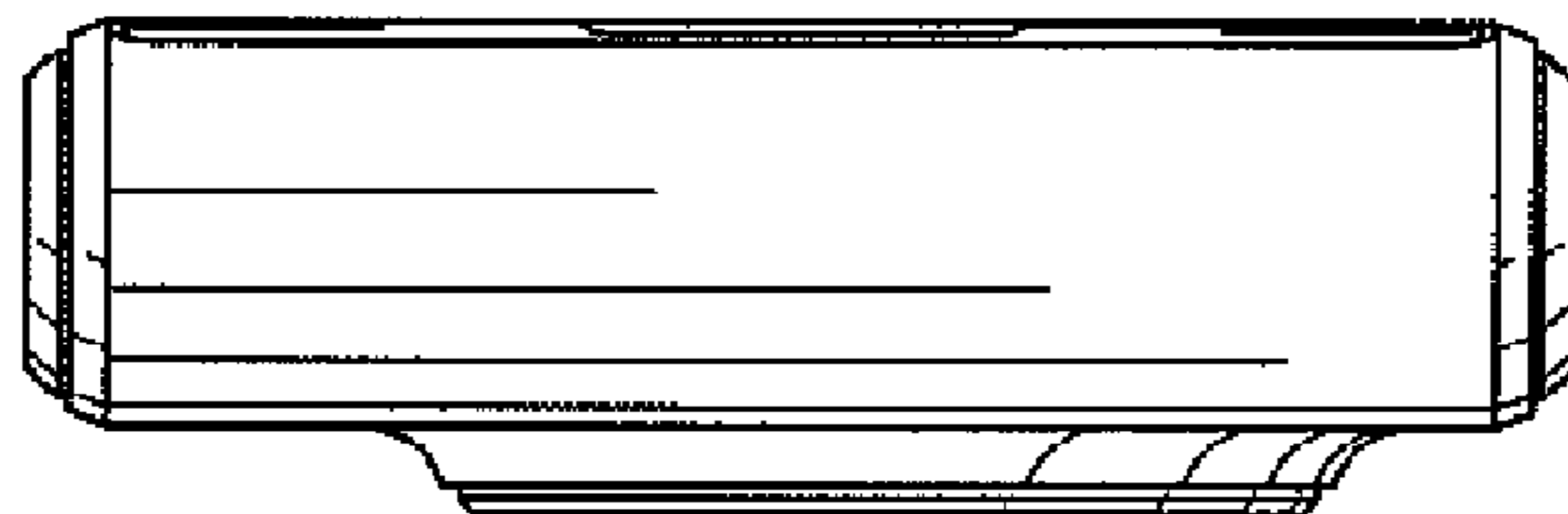


FIG. 8

