



US00D572226S

(12) **United States Design Patent**  
**Park et al.**

(10) **Patent No.:** **US D572,226 S**  
(45) **Date of Patent:** **\*\* Jul. 1, 2008**

(54) **CELLULAR PHONE**

(75) Inventors: **Sang-Sik Park**, Gumi-si (KR);  
**Hyun-Seop Kim**, Seoul (KR);  
**Chang-Hwan Hwang**, Goyang-si (KR)

(73) Assignee: **Samsung Electronics Co., Ltd.**,  
Suwon-Si (KR)

(\*\*) Term: **14 Years**

(21) Appl. No.: **29/274,756**

(22) Filed: **May 21, 2007**

(51) **LOC (8) Cl.** ..... **14-03**

(52) **U.S. Cl.** ..... **D14/138**

(58) **Field of Classification Search** ..... D14/138,  
D14/496, 341-347; 455/575.3, 575.1; D21/517  
See application file for complete search history.

(56) **References Cited**

**U.S. PATENT DOCUMENTS**

D468,736 S *	1/2003	Loh et al.	.....	D14/345
D497,893 S *	11/2004	Hwang et al.	.....	D14/138
D500,016 S *	12/2004	Kim	.....	D14/138
D501,839 S *	2/2005	Lee et al.	.....	D14/138
D502,457 S *	3/2005	Eigenstetter et al.	.....	D14/138
D507,552 S *	7/2005	Liang	.....	D14/138
D512,039 S *	11/2005	Kim et al.	.....	D14/138
6,999,802 B2 *	2/2006	Kim	.....	455/575.1
D519,486 S *	4/2006	Lee et al.	.....	D14/138
D520,981 S *	5/2006	Lee et al.	.....	D14/138
D521,481 S *	5/2006	Shin	.....	D14/138
D540,768 S *	4/2007	Cho et al.	.....	D14/138
D541,780 S *	5/2007	Park et al.	.....	D14/138
D543,526 S *	5/2007	Jung et al.	.....	D14/138
D545,796 S *	7/2007	Kim et al.	.....	D14/138
D546,310 S *	7/2007	Lee	.....	D14/138
D546,794 S *	7/2007	Kim et al.	.....	D14/138

D549,679 S *	8/2007	Park et al.	.....	D14/138
D550,184 S *	9/2007	Lee et al.	.....	D14/138
D551,642 S *	9/2007	Kim et al.	.....	D14/138
D556,717 S *	12/2007	Song et al.	.....	D14/138
D558,167 S *	12/2007	Jung et al.	.....	D14/138
D558,169 S *	12/2007	Chung et al.	.....	D14/138
D558,225 S *	12/2007	Gifford et al.	.....	D14/496
D560,643 S *	1/2008	Kim et al.	.....	D14/138
D561,152 S *	2/2008	Kim et al.	.....	D14/138

**OTHER PUBLICATIONS**

Samsung J400 telephone, announced Jan. 2008, [online], [site visited Feb. 14, 2008]. Available from Internet ,<URL: <http://www.gsmarena.com>>.\*

(Continued)

*Primary Examiner*—Jeffrey D Asch

(74) *Attorney, Agent, or Firm*—Staas & Halsey LLP

(57) **CLAIM**

The ornamental design for a cellular phone, as shown and described.

**DESCRIPTION**

FIG. 1 is a perspective view of a cellular phone according to our new design;

FIG. 2 is a front elevational view thereof;

FIG. 3 is a rear elevational view thereof;

FIG. 4 is a left side elevational view thereof;

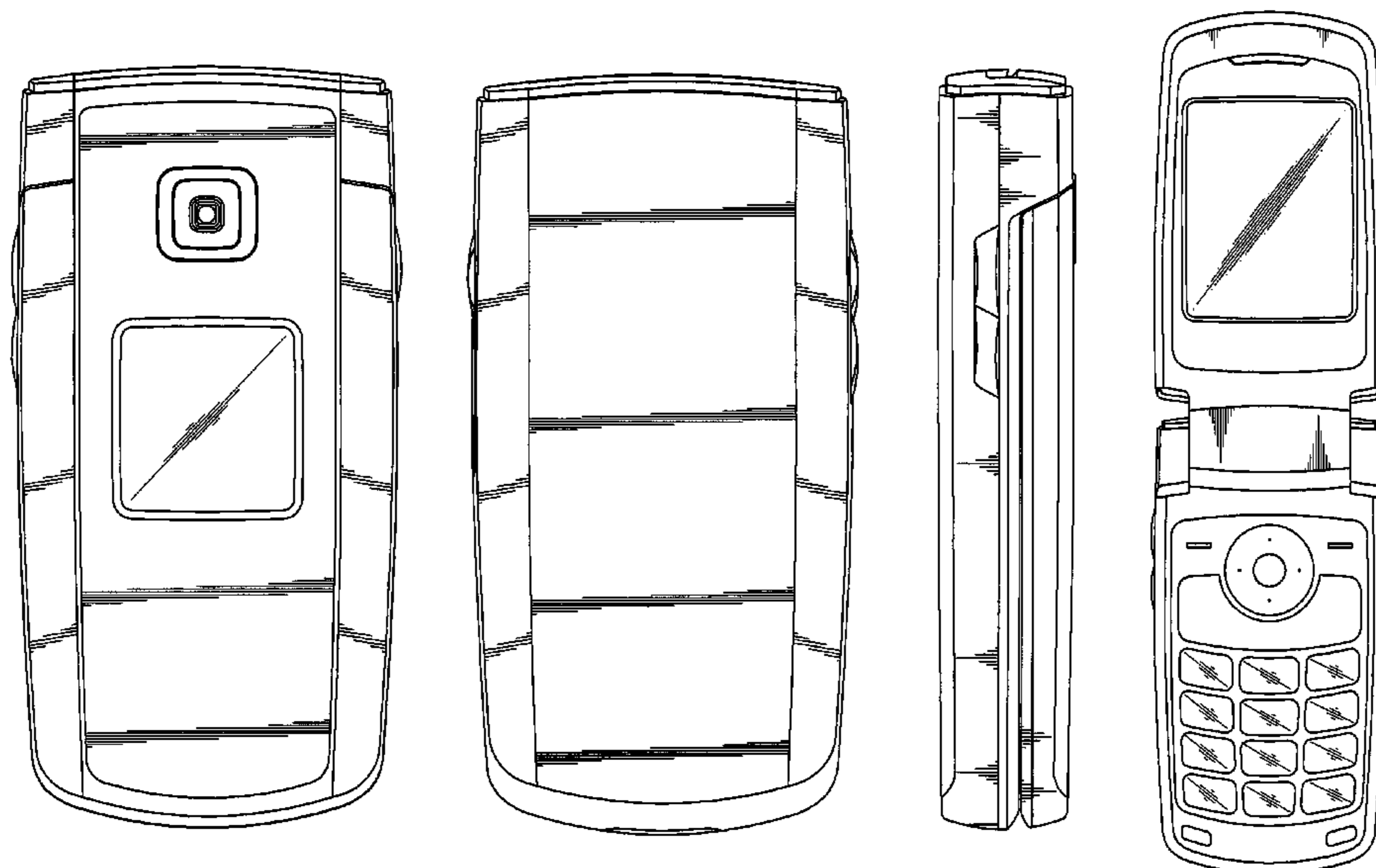
FIG. 5 is a right side elevational view thereof;

FIG. 6 is a top plan view thereof;

FIG. 7 is a bottom plan view thereof; and,

FIG. 8 is a front elevational view of the cellular phone according to our new design in a state in which the cellular phone is open to be used.

**1 Claim, 8 Drawing Sheets**



OTHER PUBLICATIONS

Samsung E480 telephone, announced Nov. 2006, [online], [site visited Feb. 14, 2008]. Available from Internet ,<URL: <http://www.gsmarena.com>>.\*

Samsung Z500 telephone, announced 1<sup>st</sup> quarter 2005, [online], [site visited Feb. 14, 2008]. Available from Internet ,<URL: <http://www.gsmarena.com>>.\*

Samsung S401i telephone, announced Jul. 2006, [online], [site visited Feb. 14, 2008]. Available from Internet ,<URL: <http://www.gsmarena.com>>.\*

LG KU730 telephone, announced Feb. 2006, [online], [site visited Feb. 14, 2008]. Available from Internet ,<URL: <http://www.gsmarena.com>>.\*

Philips 636 telephone, announced 2nd quarter 2004, [online], [site visited Feb. 14, 2008]. Available from Internet ,<URL: <http://www.gsmarena.com>>.\*

\* cited by examiner

FIG. 1

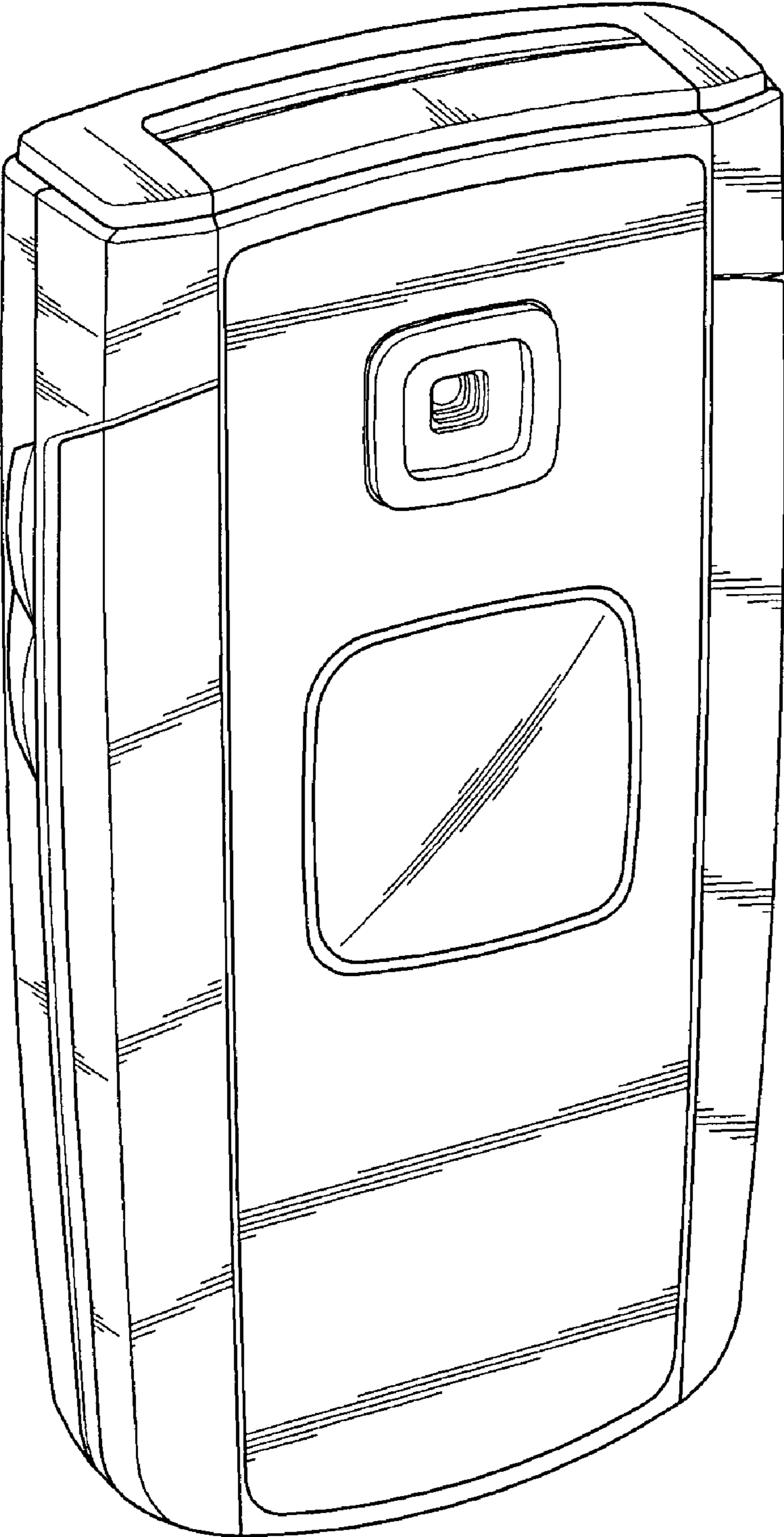


FIG. 2

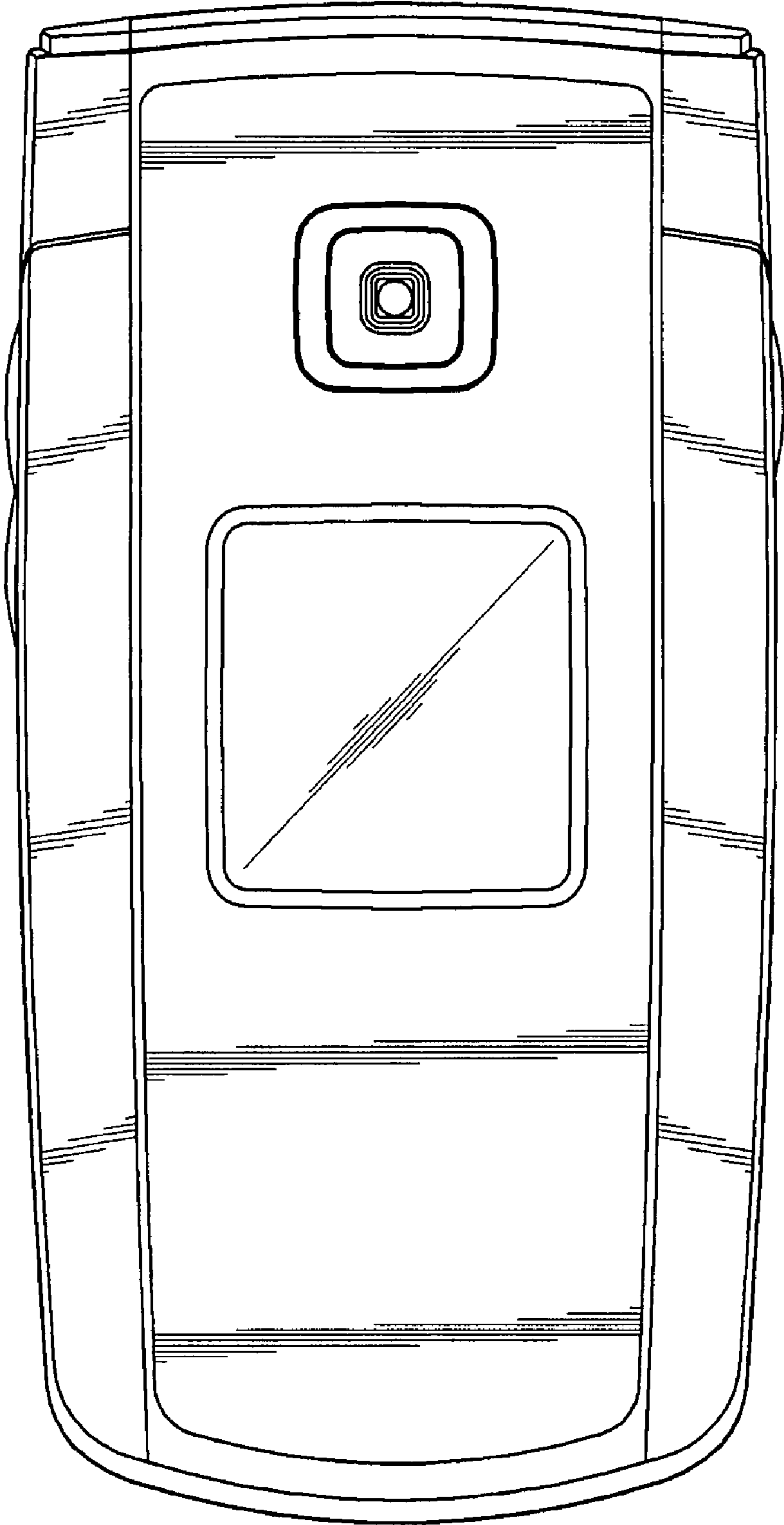


FIG. 3

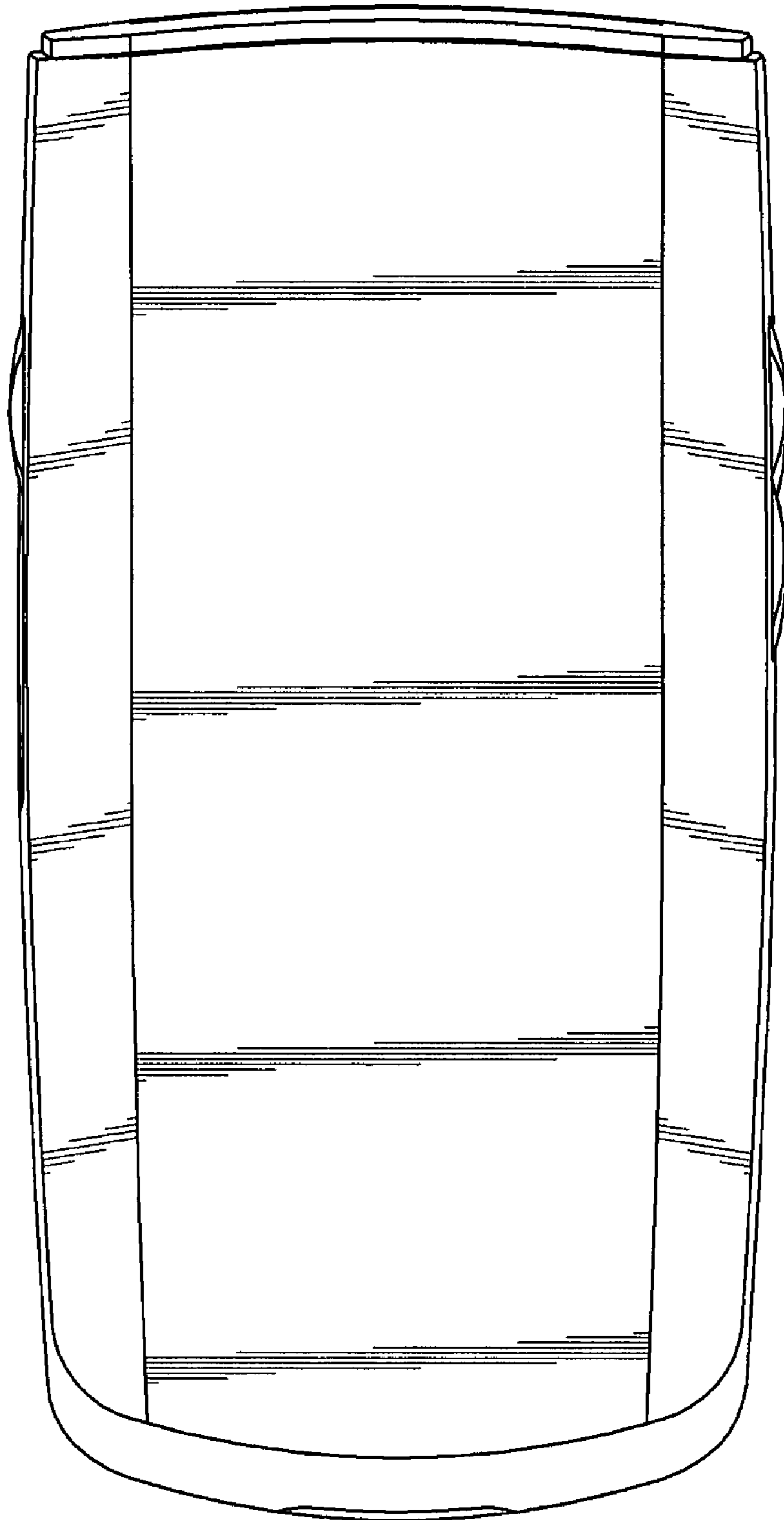


FIG. 4

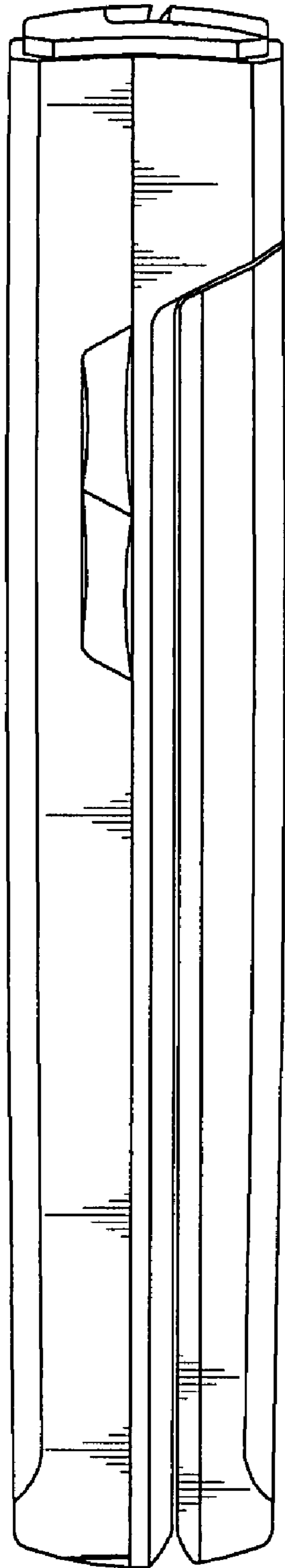


FIG. 5

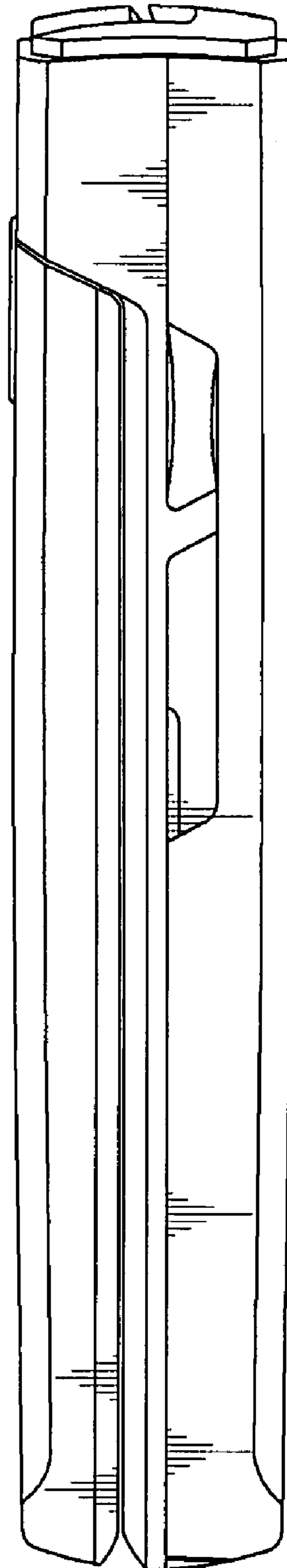


FIG. 6

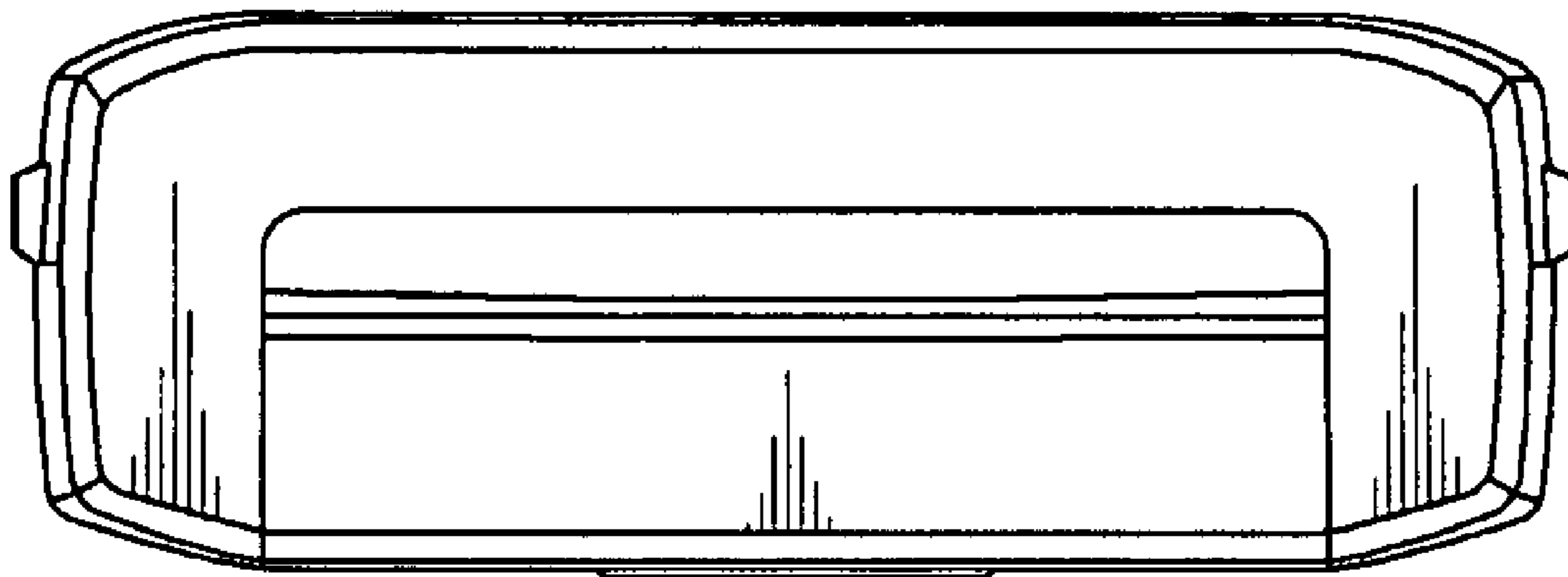




FIG. 7

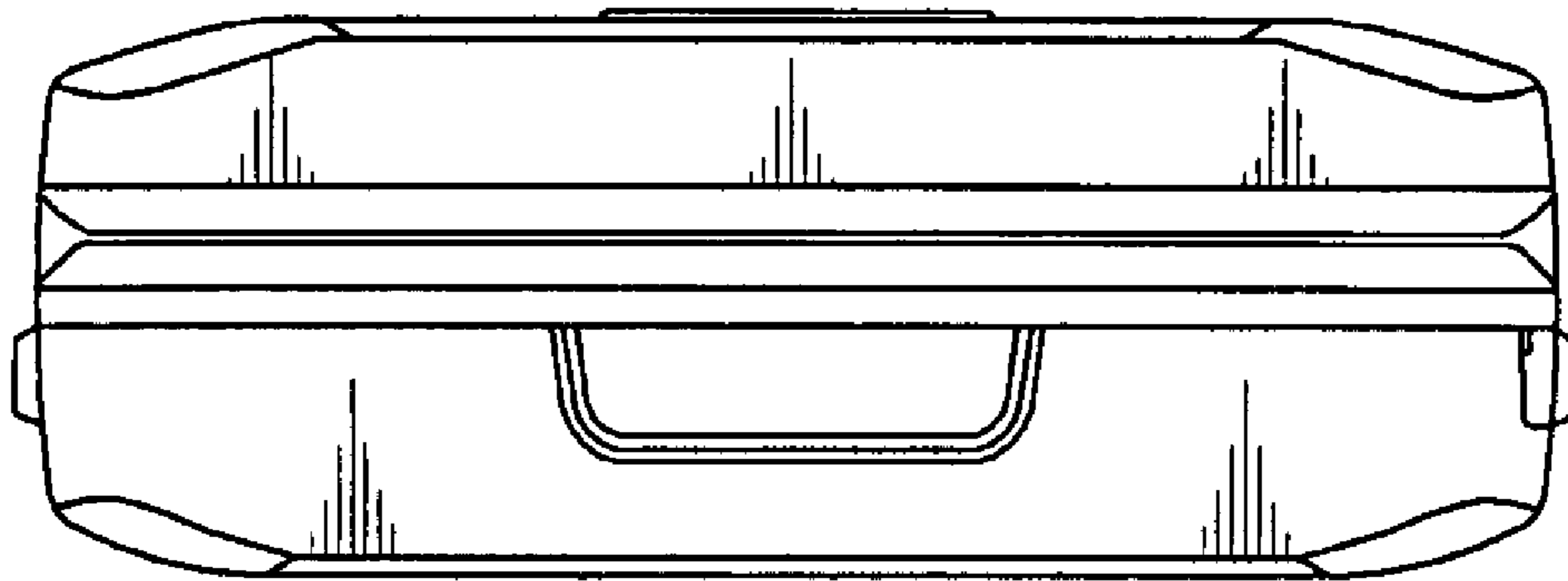


FIG. 8

