



US00D572220S

(12) **United States Design Patent**
Tran et al.

(10) **Patent No.:** **US D572,220 S**
(45) **Date of Patent:** **** Jul. 1, 2008**

(54) **HOUSING FOR A COMMUNICATION DEVICE**

(75) Inventors: **Chi T. Tran**, Plantation, FL (US); **Bruce A. Claxton**, Coral Springs, FL (US); **Craig F Siddoway**, Davie, FL (US)

(73) Assignee: **Motorola, Inc.**, Schaumburg, IL (US)

(**) Term: **14 Years**

(21) Appl. No.: **29/302,503**

(22) Filed: **Jan. 17, 2008**

Related U.S. Application Data

(62) Division of application No. 29/280,060, filed on May 15, 2007, now Pat. No. Des. 566,076.

(51) **LOC (8) Cl.** **14-03**

(52) **U.S. Cl.** **D14/137**

(58) **Field of Classification Search** D14/137-138, D14/144, 188, 147-148, 155, 159, 191-192, D14/194, 240, 197-198, 358, 225, 247-248, D14/383-385, 417, 496; 379/433.01, 420.01-420.04, 379/419, 440, 428.01-428.04; D10/104-106; 340/573.1, 573.3-573.4; 361/814; 455/90.2-90.3, 455/347-349, 351, 556.1, 575.1
See application file for complete search history.

(56) **References Cited**

U.S. PATENT DOCUMENTS

D389,827 S *	1/1998	Oross et al.	D14/137
D412,501 S *	8/1999	Tyneski et al.	D14/137
D418,137 S *	12/1999	Zeitman	D14/194
D433,001 S *	10/2000	Haase et al.	D14/137
D433,395 S *	11/2000	Wong	D14/137

D433,396 S *	11/2000	Wong	D14/137
D467,565 S *	12/2002	Pesqueira et al.	D14/137
D487,735 S *	3/2004	Wu et al.	D14/138
D489,704 S *	5/2004	Kim	D14/188
D490,070 S *	5/2004	Lee	D14/188
D491,161 S *	6/2004	Tang	D14/188
D498,219 S *	11/2004	Hamann	D14/138
D515,058 S *	2/2006	Boyd	D14/138
D526,296 S *	8/2006	Wen	D14/138
D564,997 S *	3/2008	Tran et al.	D14/137
D564,998 S *	3/2008	Tran et al.	D14/137
D566,076 S *	4/2008	Tran et al.	D14/137
2001/0041590 A1 *	11/2001	Silberfenig et al.	455/556
2003/0013418 A1 *	1/2003	Kato	455/90

* cited by examiner

Primary Examiner—Ian Simmons

Assistant Examiner—Carla Wright

(74) *Attorney, Agent, or Firm*—Barbara R. Doutre

(57) **CLAIM**

The ornamental design for a housing for a communication device, as shown.

DESCRIPTION

FIG. 1 is a perspective view of a housing for a communication device showing our new design;

FIG. 2 is a front view thereof;

FIG. 3 is a rear view thereof;

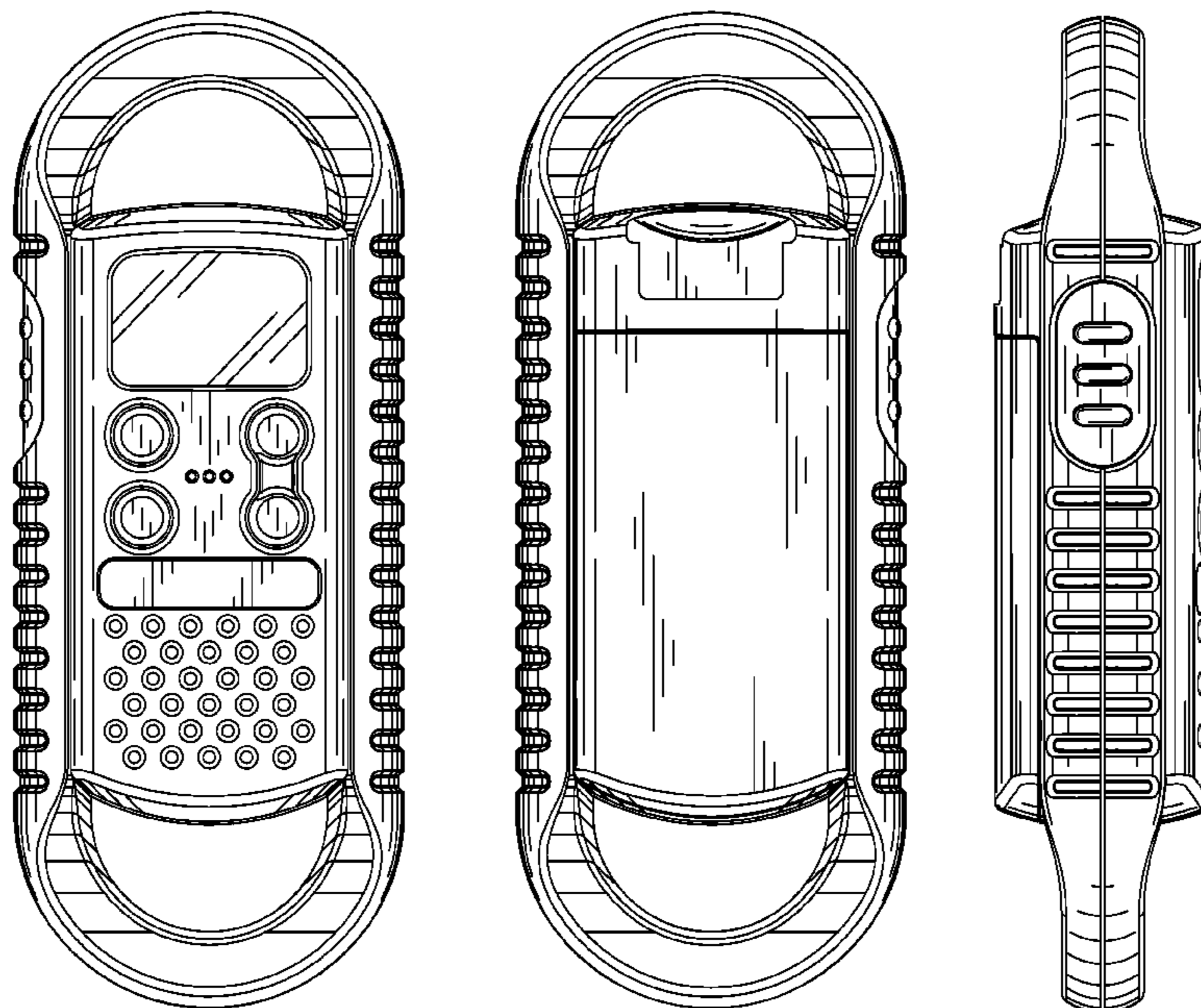
FIG. 4 is a first side view thereof;

FIG. 5 is a second side view thereof;

FIG. 6 is a top view thereof; and,

FIG. 7 is a bottom view thereof.

1 Claim, 4 Drawing Sheets



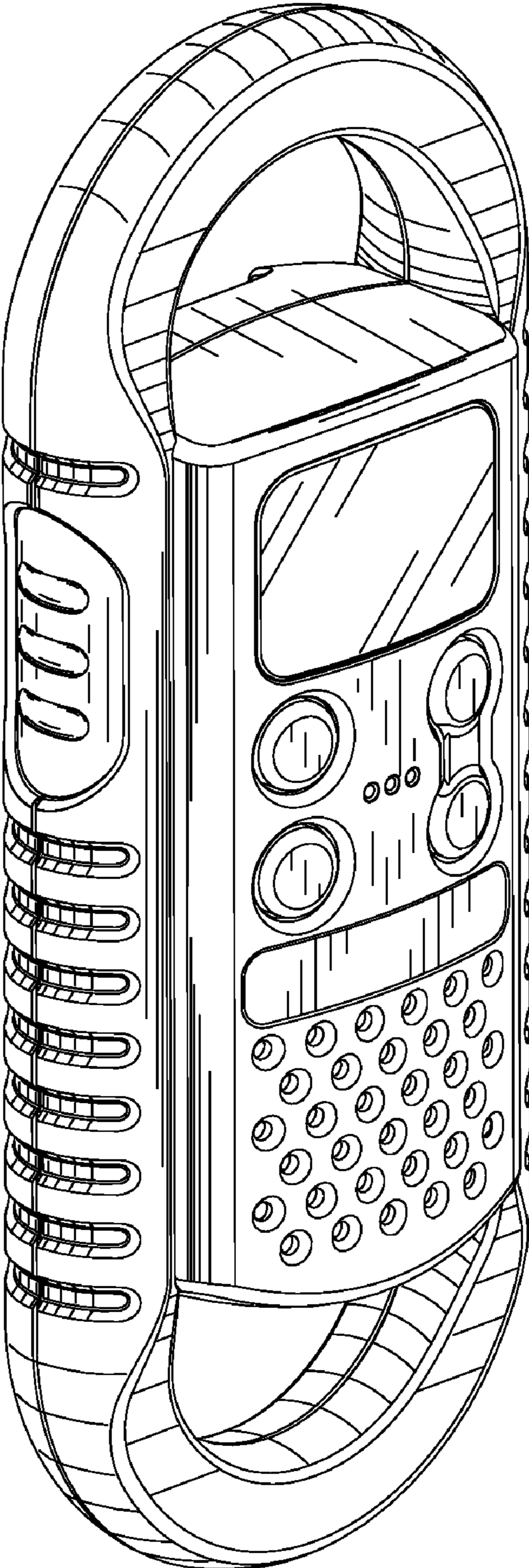


FIG. 1

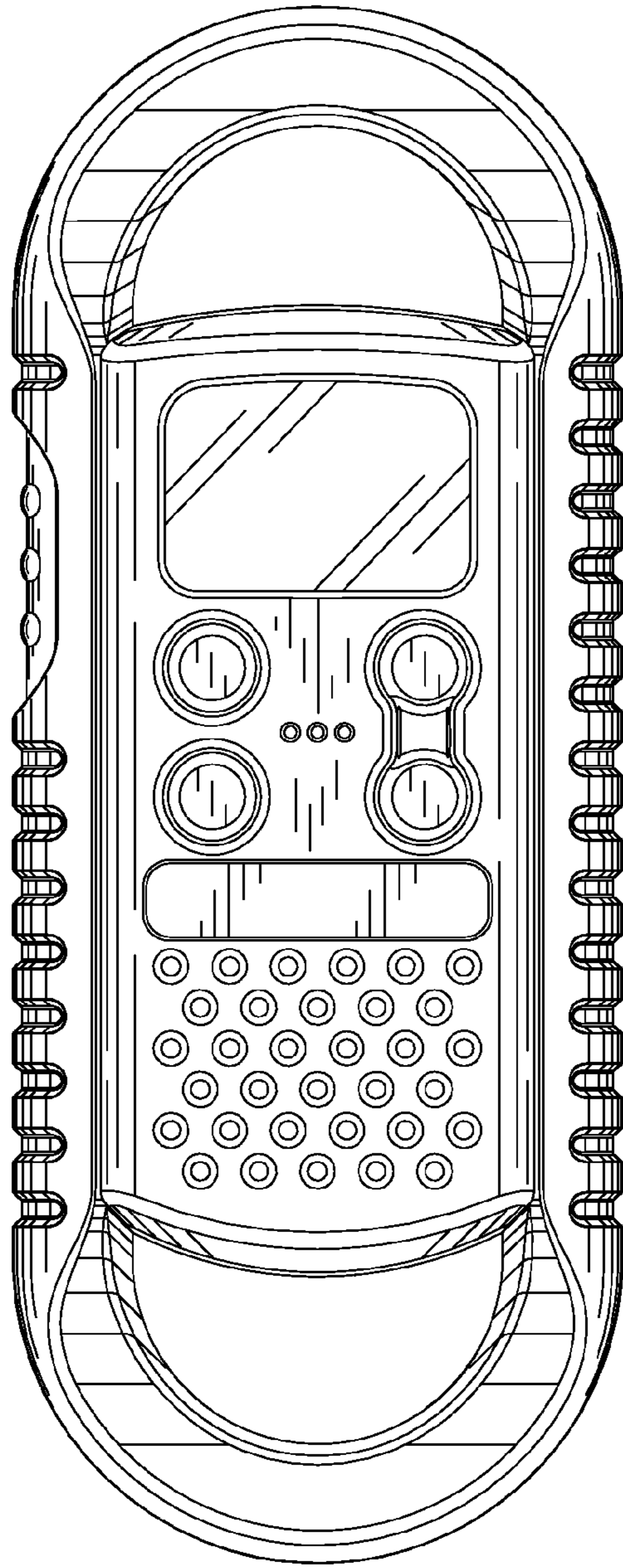


FIG. 2

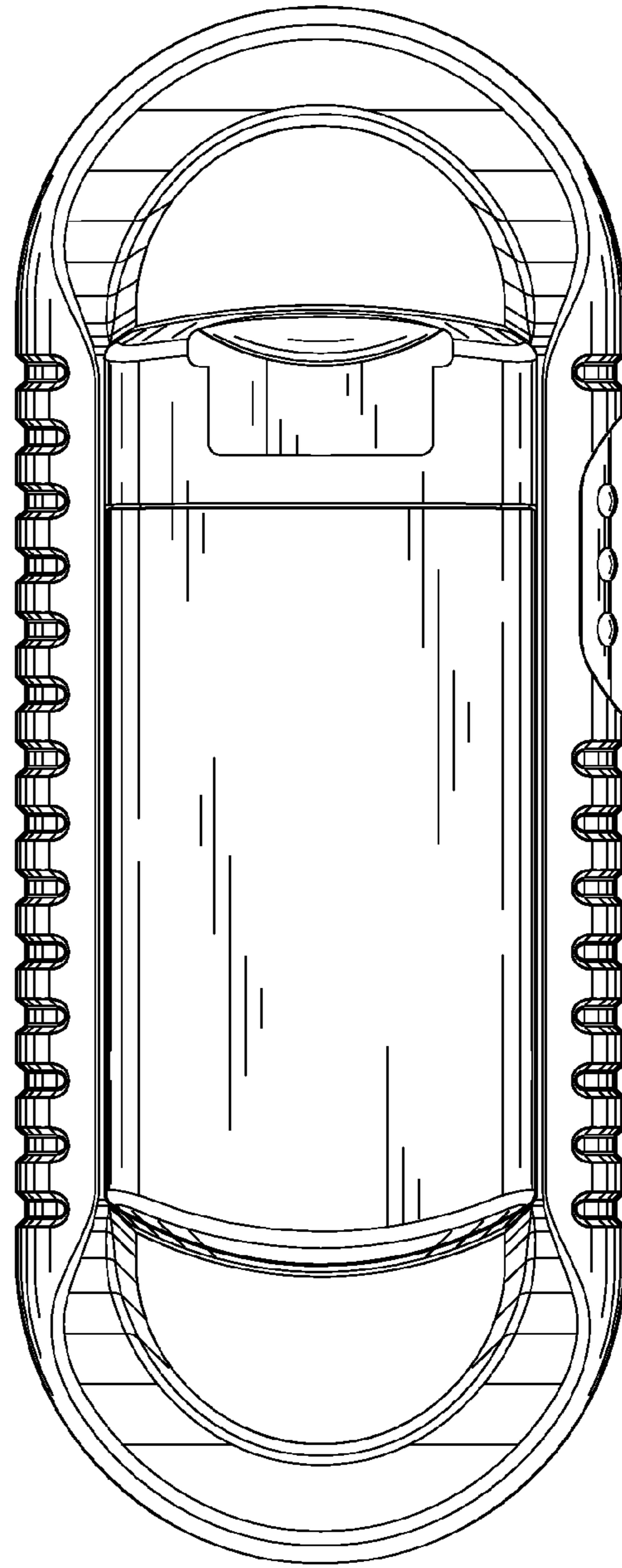


FIG. 3

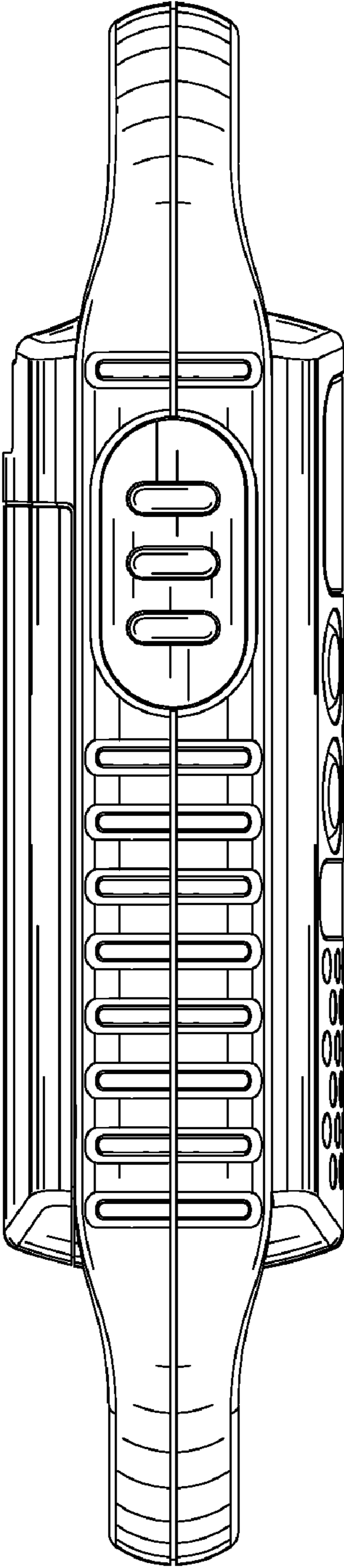


FIG. 4

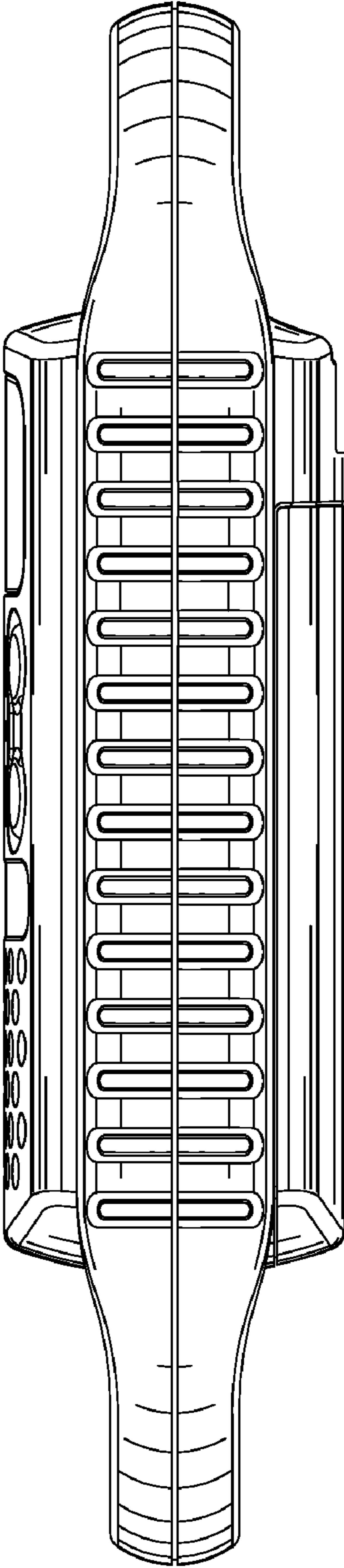


FIG. 5

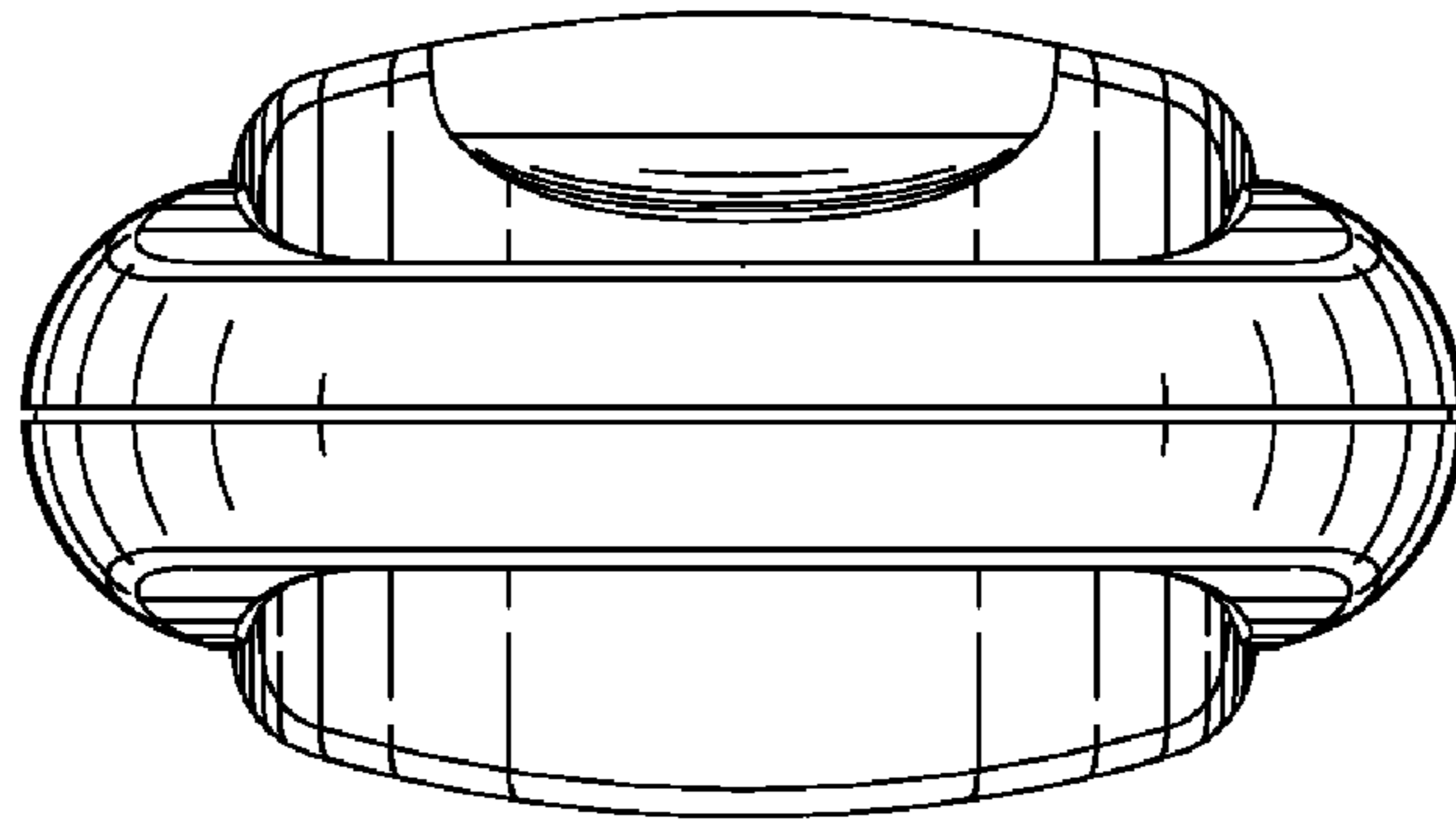


FIG. 6

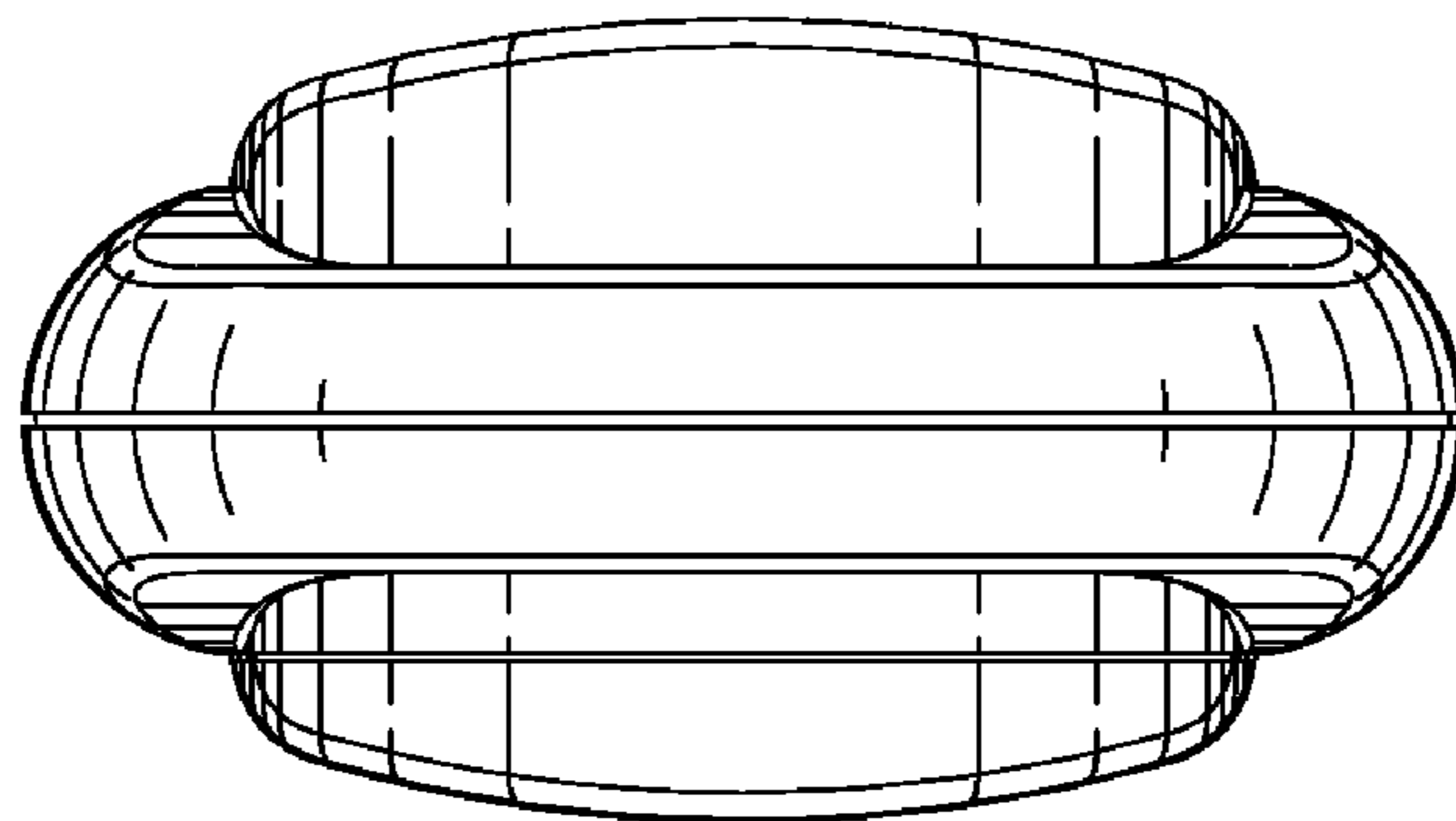


FIG. 7