



US00D572217S

(12) **United States Design Patent**
Shih

(10) **Patent No.:** **US D572,217 S**
(45) **Date of Patent:** **** Jul. 1, 2008**

(54) **DISPLAY**

(75) Inventor: **Wei-Ming Shih**, Chung Ho (TW)

(73) Assignee: **AmTran Technology Co., Ltd.**, Taipei (TW)

(**) Term: **14 Years**

(21) Appl. No.: **29/287,928**

(22) Filed: **Oct. 3, 2007**

D534,880 S *	1/2007	Peng	D14/126
D541,235 S *	4/2007	Takami et al.	D14/126
D544,850 S *	6/2007	Kita	D14/126
D546,301 S *	7/2007	Kita	D14/126
D555,119 S *	11/2007	Shih	D14/126
D557,227 S *	12/2007	Isshiki	D14/126

* cited by examiner

Primary Examiner—Raphael Barkai
Assistant Examiner—Randall H Gholson
(74) *Attorney, Agent, or Firm*—Rabin & Berdo, P.C.

Related U.S. Application Data

(63) Continuation-in-part of application No. 29/264,778, filed on Aug. 18, 2006, now Pat. No. Des. 567,196.

(51) **LOC (8) Cl.** **14-03**

(52) **U.S. Cl.** **D14/126**

(58) **Field of Classification Search** D14/125–134,
D14/239, 371, 136, 374–377; 312/7.2; 348/836,
348/838, 180, 184, 325, 739; 341/12; 248/917–924,
248/465, 123.11; 345/104, 133, 156, 168,
345/87, 173, 169; 349/1, 2, 11, 62; 720/605,
720/669, 600, 655, 99, 197; 455/344–347;
369/99, 197

See application file for complete search history.

(56) **References Cited**

U.S. PATENT DOCUMENTS

D408,416 S * 4/1999 Fenner et al. D14/126

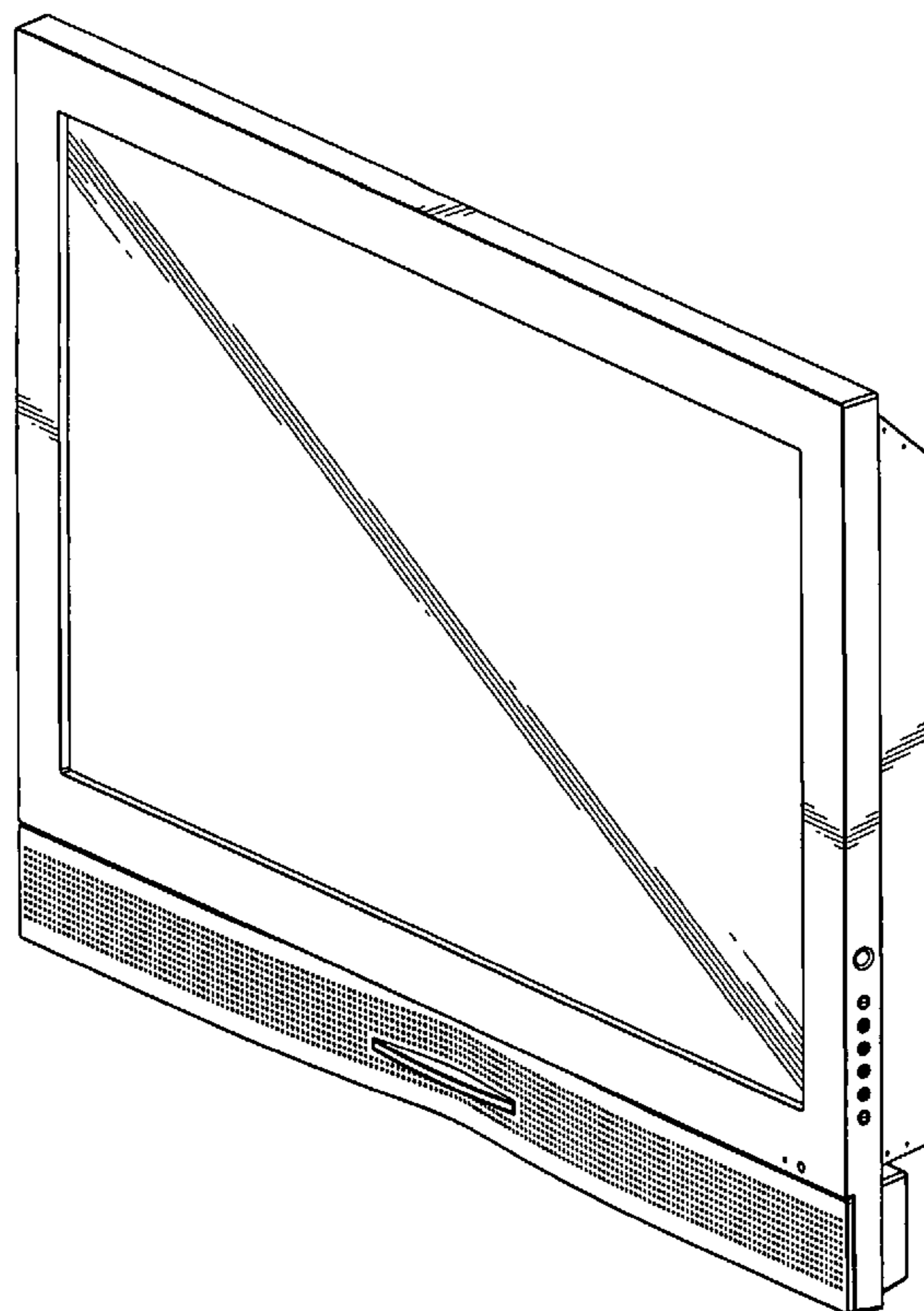
(57) **CLAIM**

The ornamental design for a “display,” as shown and described.

DESCRIPTION

FIG. 1 is a perspective view of display showing my new design;
FIG. 2 is a front view thereof;
FIG. 3 is a rear view thereof;
FIG. 4 is a left side elevational view thereof;
FIG. 5 is a right side elevational view thereof;
FIG. 6 is a top view thereof; and,
FIG. 7 is a bottom view thereof.

1 Claim, 5 Drawing Sheets



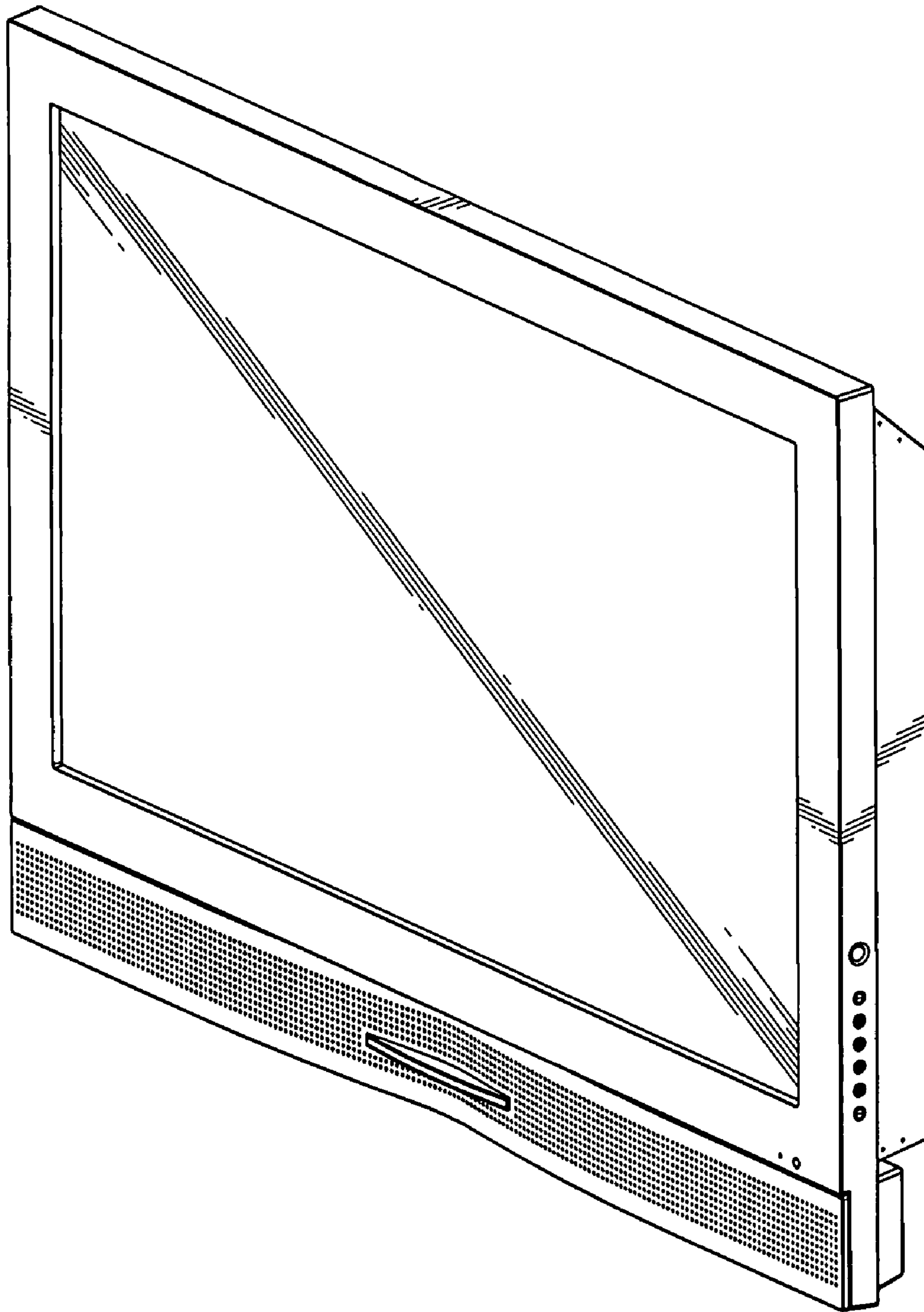


FIG. 1

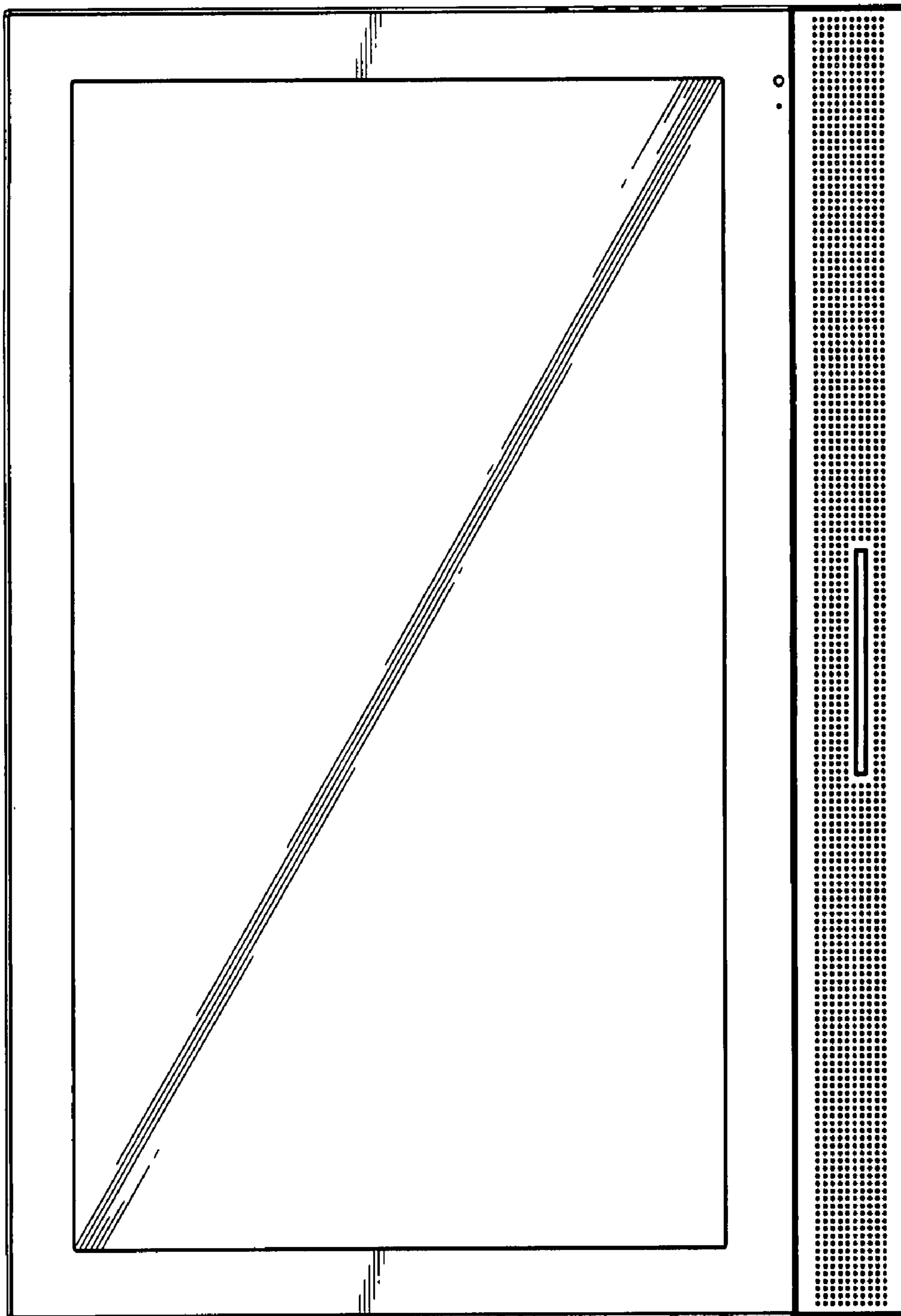


FIG.2

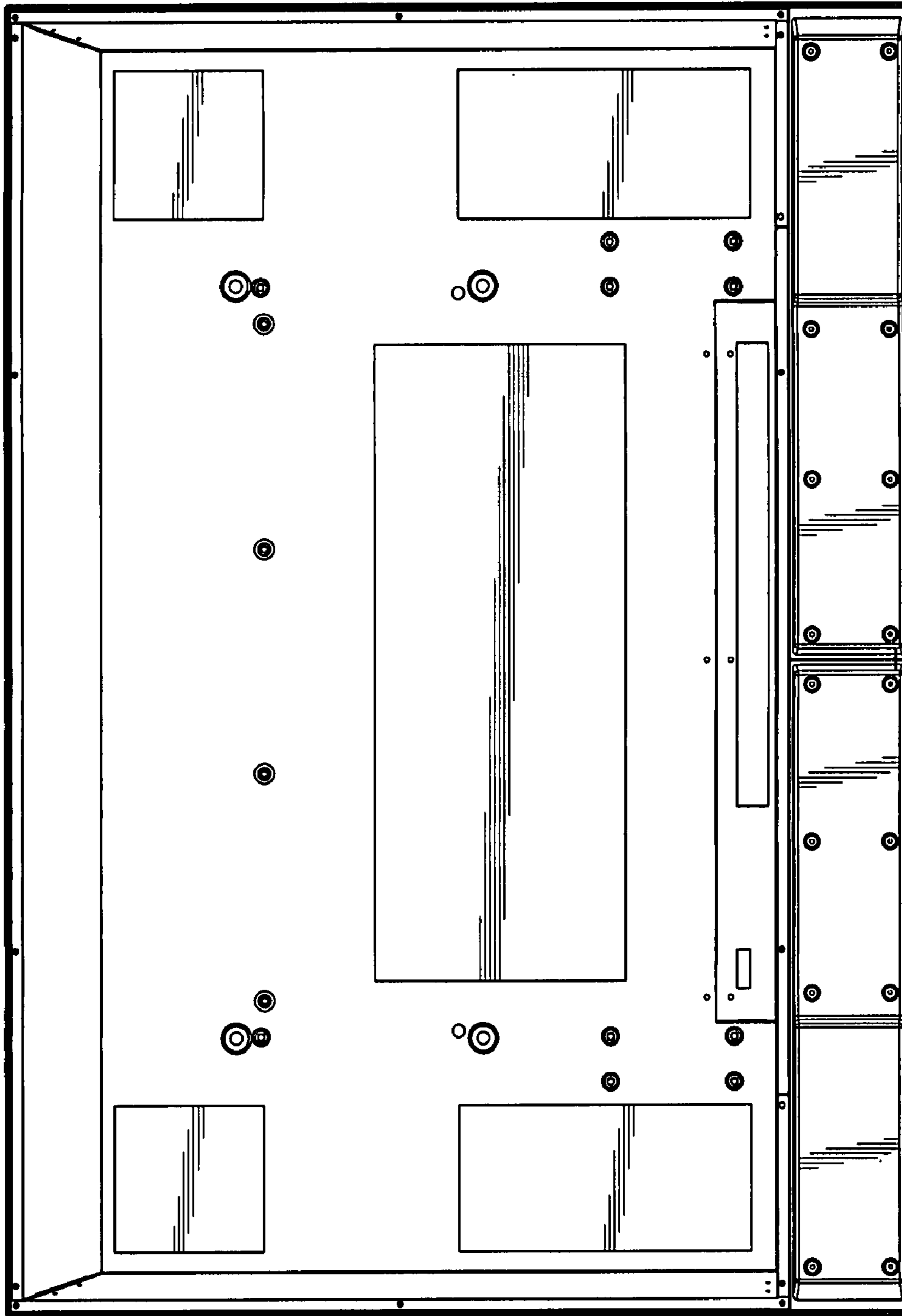


FIG.3

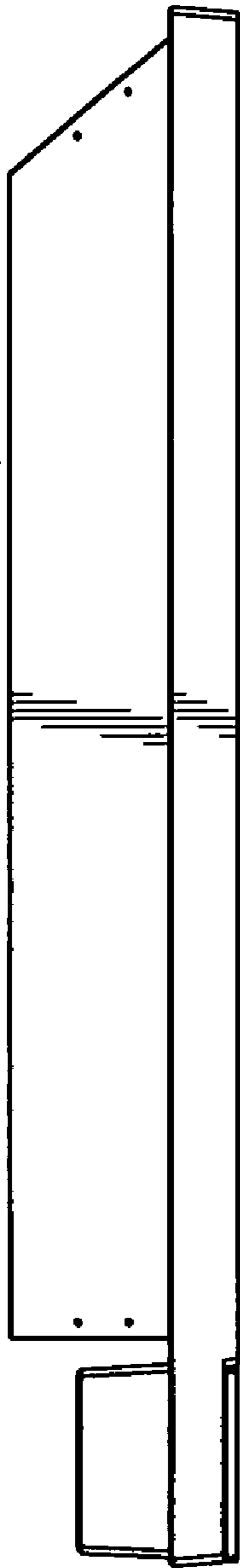


FIG. 4



FIG. 5

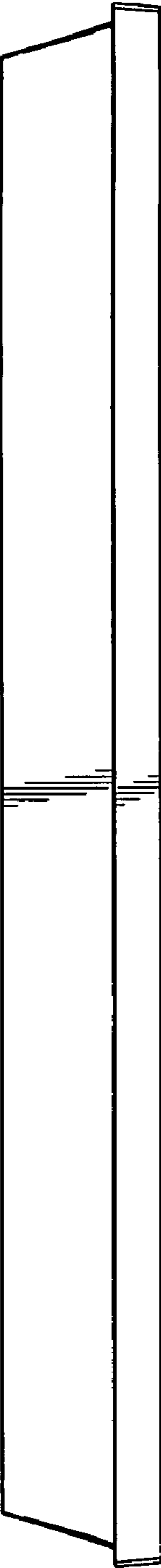


FIG. 6



FIG. 7