

US00D572215S

(12) **United States Design Patent**
Lee

(10) **Patent No.:** **US D572,215 S**
(45) **Date of Patent:** **** Jul. 1, 2008**

(54) **TELEVISION SET**
(75) Inventor: **Chien-Kuo Lee**, Taoyuan County (TW)
(73) Assignee: **Hannspree Inc.**, Taipei (TW)
(**) Term: **14 Years**
(21) Appl. No.: **29/287,254**
(22) Filed: **Jul. 16, 2007**

D500,034 S * 12/2004 Johnson D14/336
D512,387 S * 12/2005 Kita D14/126
D524,772 S * 7/2006 Reza D14/126
D524,774 S * 7/2006 Williams D14/126
D525,599 S * 7/2006 Voege D14/126
D525,954 S * 8/2006 Williams D14/126
D525,956 S * 8/2006 Lee D14/126
D558,699 S * 1/2008 Hoehn D14/126
D560,626 S * 1/2008 Lee D14/126

(30) **Foreign Application Priority Data**
Apr. 30, 2007 (TW) 96302410

* cited by examiner

Primary Examiner—Raphael Barkai
(74) *Attorney, Agent, or Firm*—Rosenberg, Klein & Lee

(51) **LOC (8) Cl.** **14-03**
(52) **U.S. Cl.** **D14/126**
(58) **Field of Classification Search** D14/125–134,
D14/239, 371, 136, 374–377, 440, 450, 448,
D14/336, 342; 312/7.2; 348/836, 838, 180,
348/184, 325, 739; 341/12; 248/917–924,
248/465; 345/104, 133, 156, 168, 87, 173;
720/605, 669, 600, 655; 369/99, 197; 455/344,
455/347; D21/329, 515, 577, 622, 333, 433,
D21/448, 452, 450, 331; D6/477, 479; 273/148 B;
446/484, 175, 356; D10/15, 26
See application file for complete search history.

(57) **CLAIM**

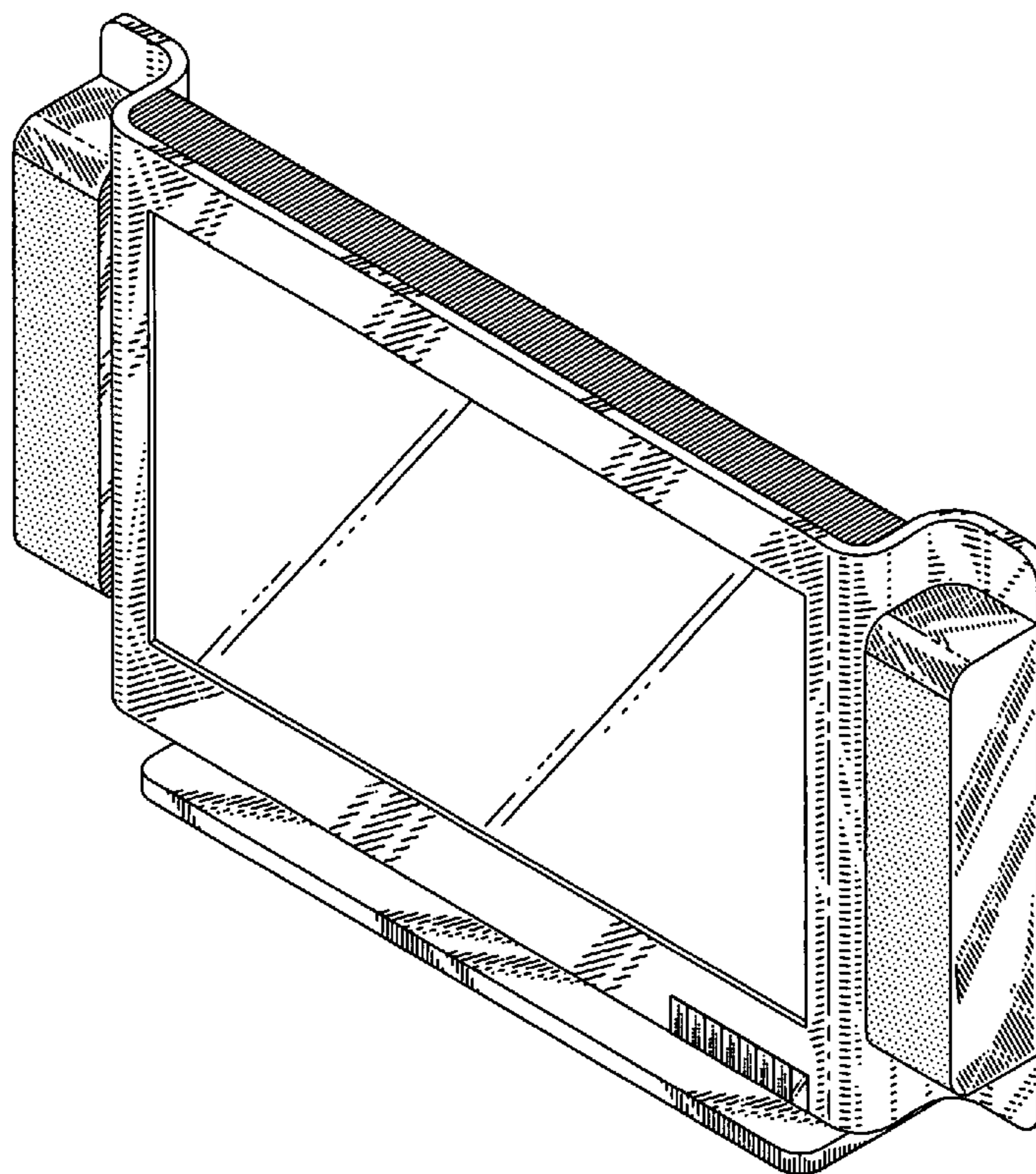
The ornamental design for a television set, is substantially as shown and described.

(56) **References Cited**
U.S. PATENT DOCUMENTS
D431,537 S * 10/2000 Saeki et al. D14/126

DESCRIPTION

FIG. 1 is a perspective view of the television set;
FIG. 2 is a front view of the television set;
FIG. 3 is a back view of the television set;
FIG. 4 is a left side view of the television set;
FIG. 5 is a right side view of the television set;
FIG. 6 is a top plan view of the television set; and,
FIG. 7 is a bottom plan view of the television set.

1 Claim, 4 Drawing Sheets



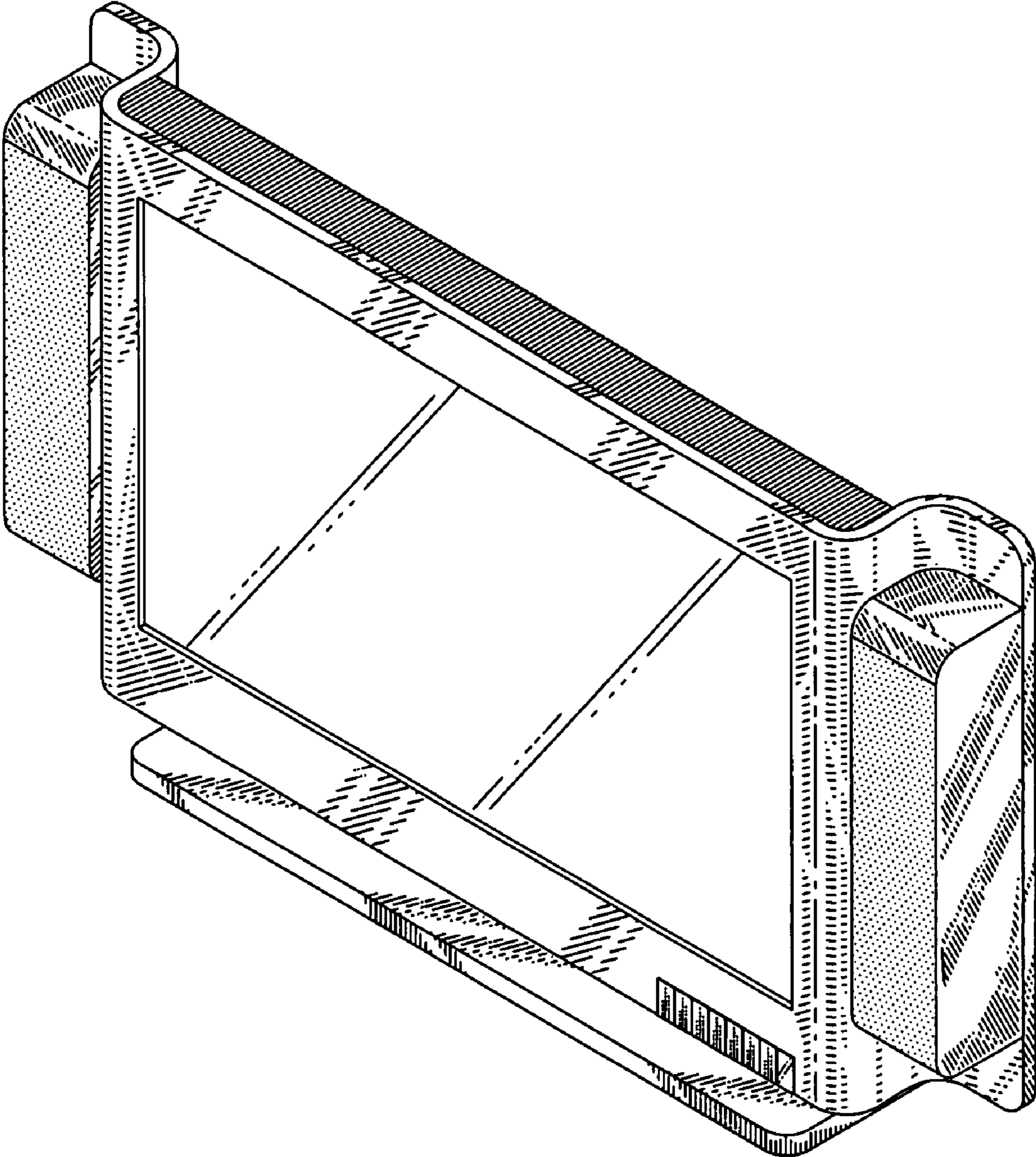


FIG. 1

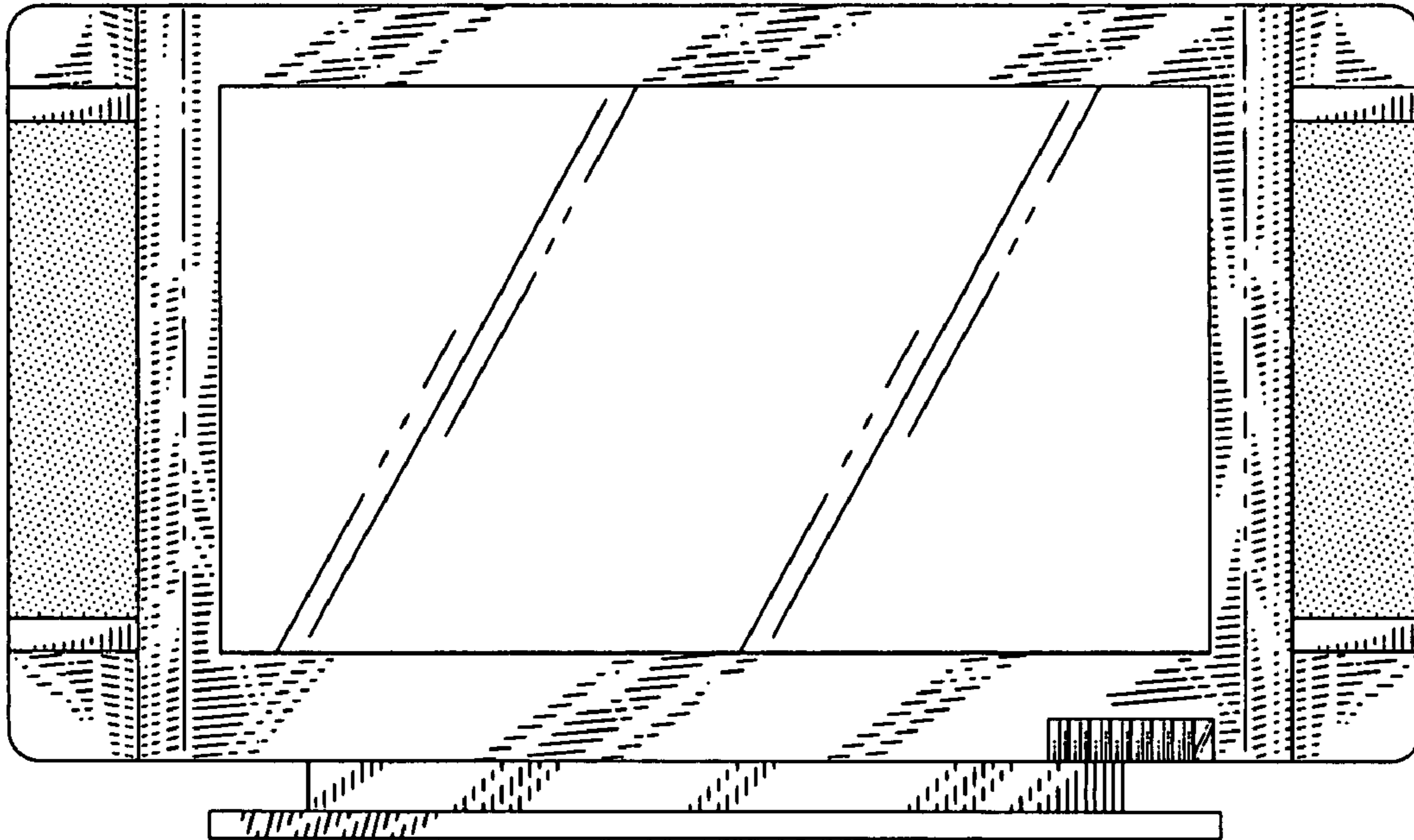


FIG. 2

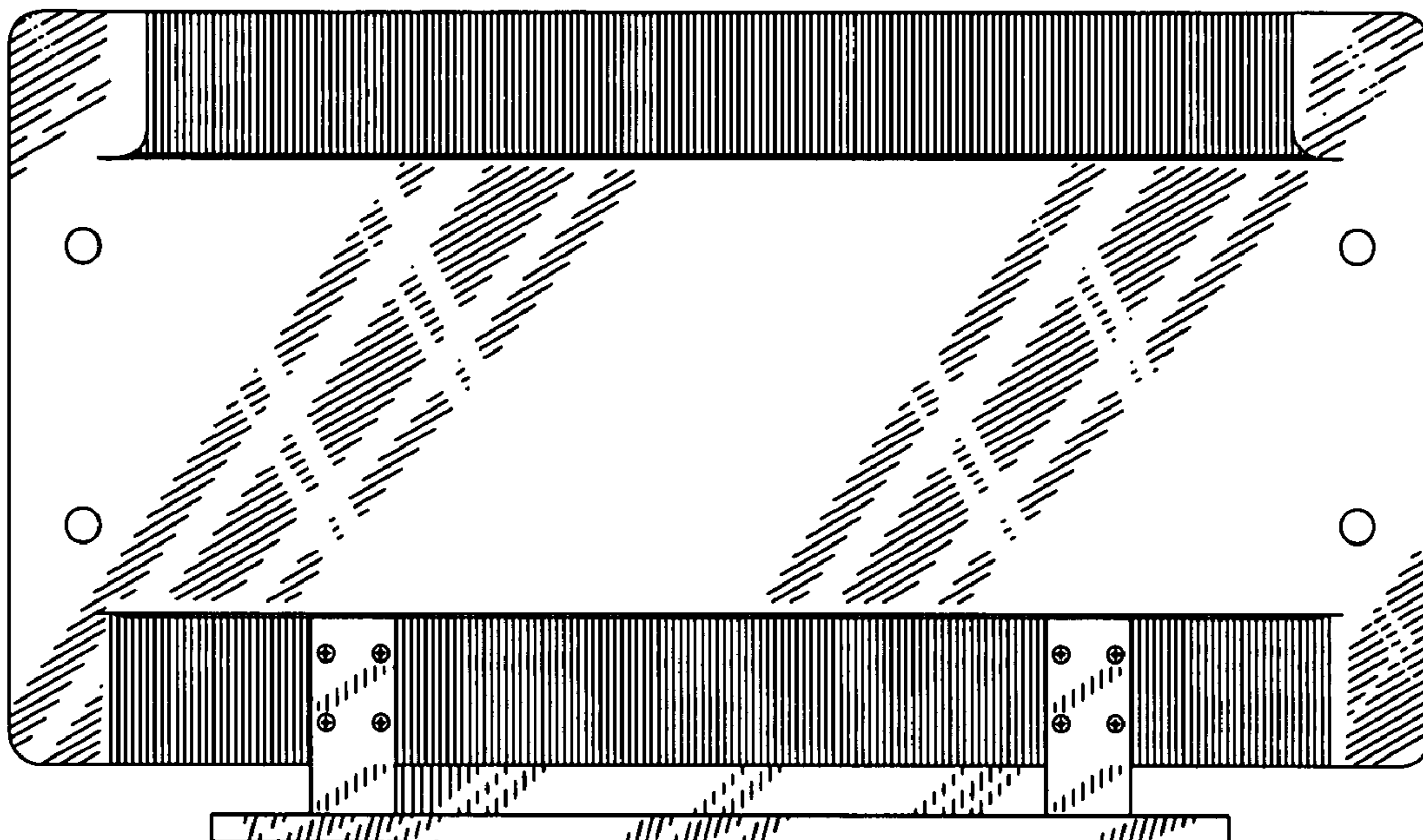


FIG. 3

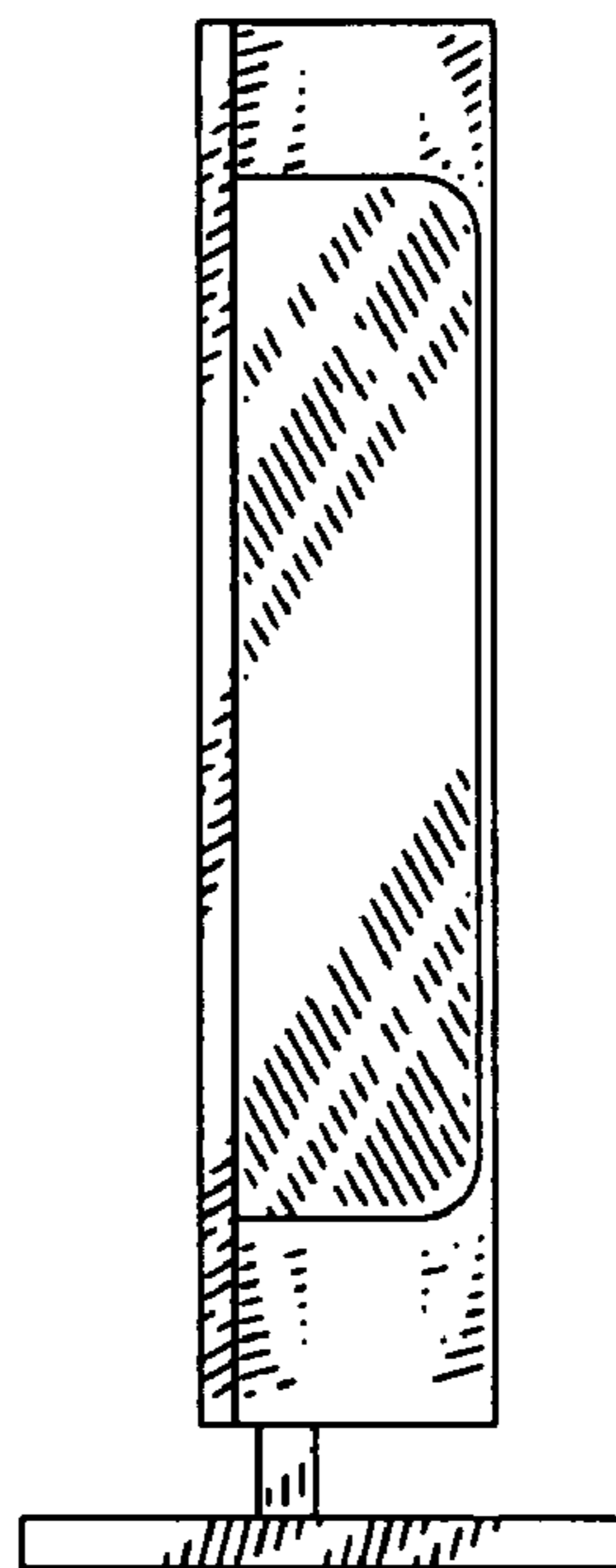


FIG. 4

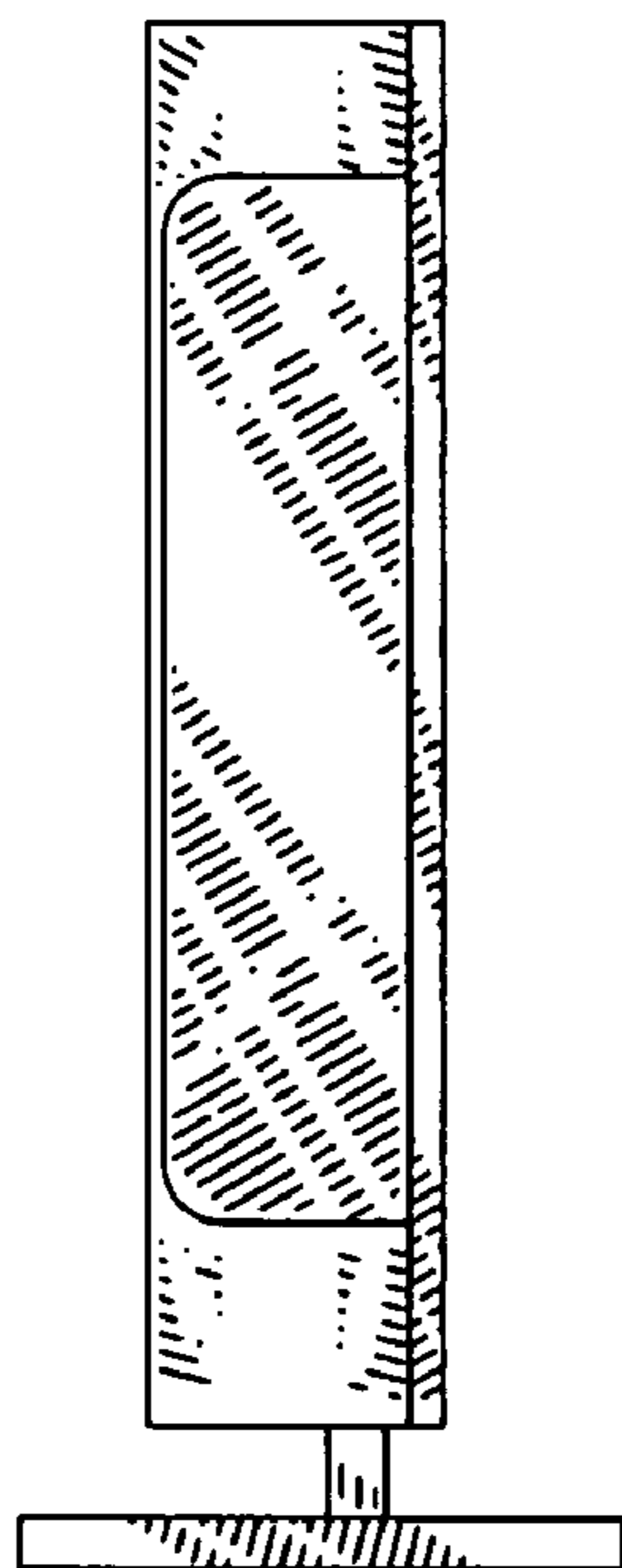


FIG. 5

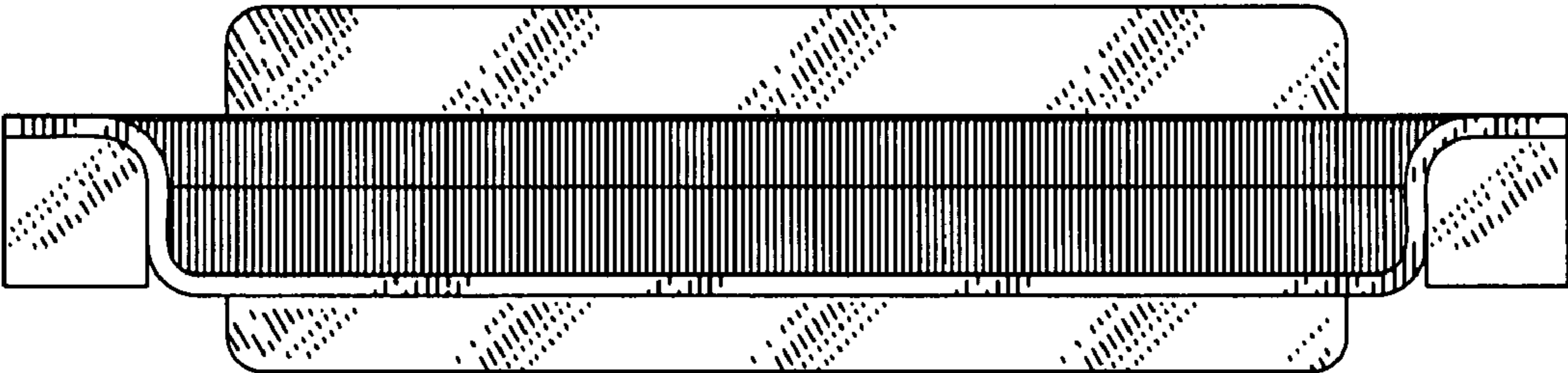


FIG. 6

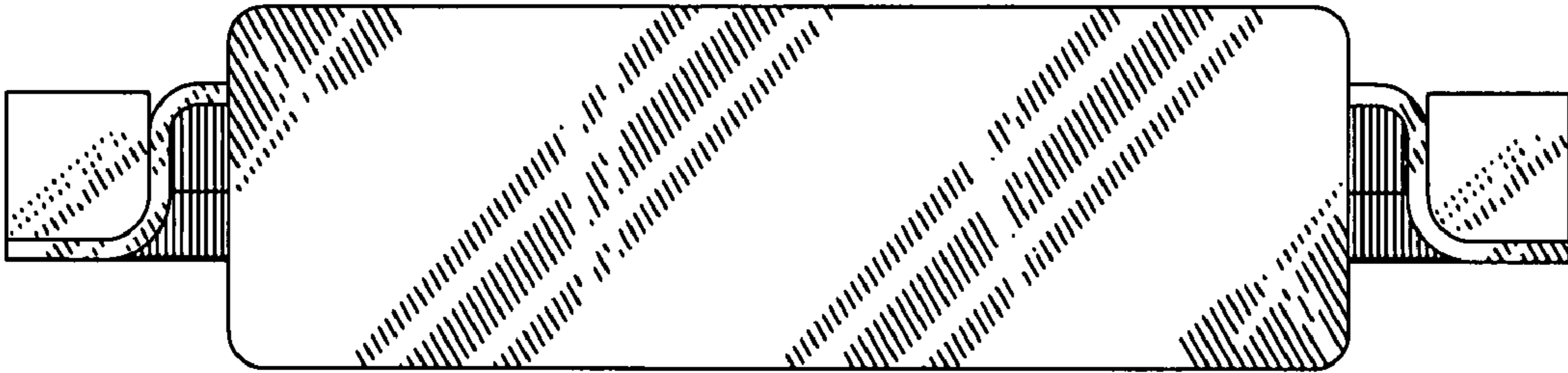


FIG. 7