



US00D572214S

(12) **United States Design Patent**
Lewis

(10) **Patent No.:** **US D572,214 S**
(45) **Date of Patent:** **** Jul. 1, 2008**

(54) **TELEVISION**

(75) Inventor: **David Lewis**, Copenhagen (DK)

(73) Assignee: **Bang & Olufsen A/S**, Struer (DK)

(**) Term: **14 Years**

(21) Appl. No.: **29/261,954**

(22) Filed: **Jun. 21, 2006**

(30) **Foreign Application Priority Data**

Jan. 31, 2006 (DK) DA 2006 00037

(51) **LOC (8) Cl.** **14-03**

(52) **U.S. Cl.** **D14/126**

(58) **Field of Classification Search** D14/125-134,
D14/239, 379, 371, 374, 375, 376, 113; D13/151,
D13/153; 312/7.2; 348/836, 838, 180, 184,
348/325, 739; 341/12; 248/917-924; 345/104,
345/133, 156, 168, 87, 173; 349/1, 2, 11,
349/62

See application file for complete search history.

(56) **References Cited**

U.S. PATENT DOCUMENTS

D408,416 S * 4/1999 Fenner et al. D14/239
6,816,361 B2 * 11/2004 Kuo 361/681
D499,386 S * 12/2004 Yang D14/126

D529,913 S * 10/2006 Chen et al. D14/375
D534,508 S * 1/2007 Yamada D14/126
D535,953 S * 1/2007 Fujii D14/126
D546,788 S * 7/2007 Isshiki D14/126
D548,205 S * 8/2007 Kim et al. D14/126

* cited by examiner

Primary Examiner—Raphael Barkai

Assistant Examiner—Randall H Gholson

(74) *Attorney, Agent, or Firm*—Buchanan Ingersoll & Rooney PC

(57) **CLAIM**

The ornamental design for a television, as shown and described.

DESCRIPTION

FIG. 1 is a front, side perspective view of a television showing my new design;

FIG. 2 is a rear, side perspective view thereof;

FIG. 3 is a front elevational view thereof;

FIG. 4 is a rear elevational view thereof;

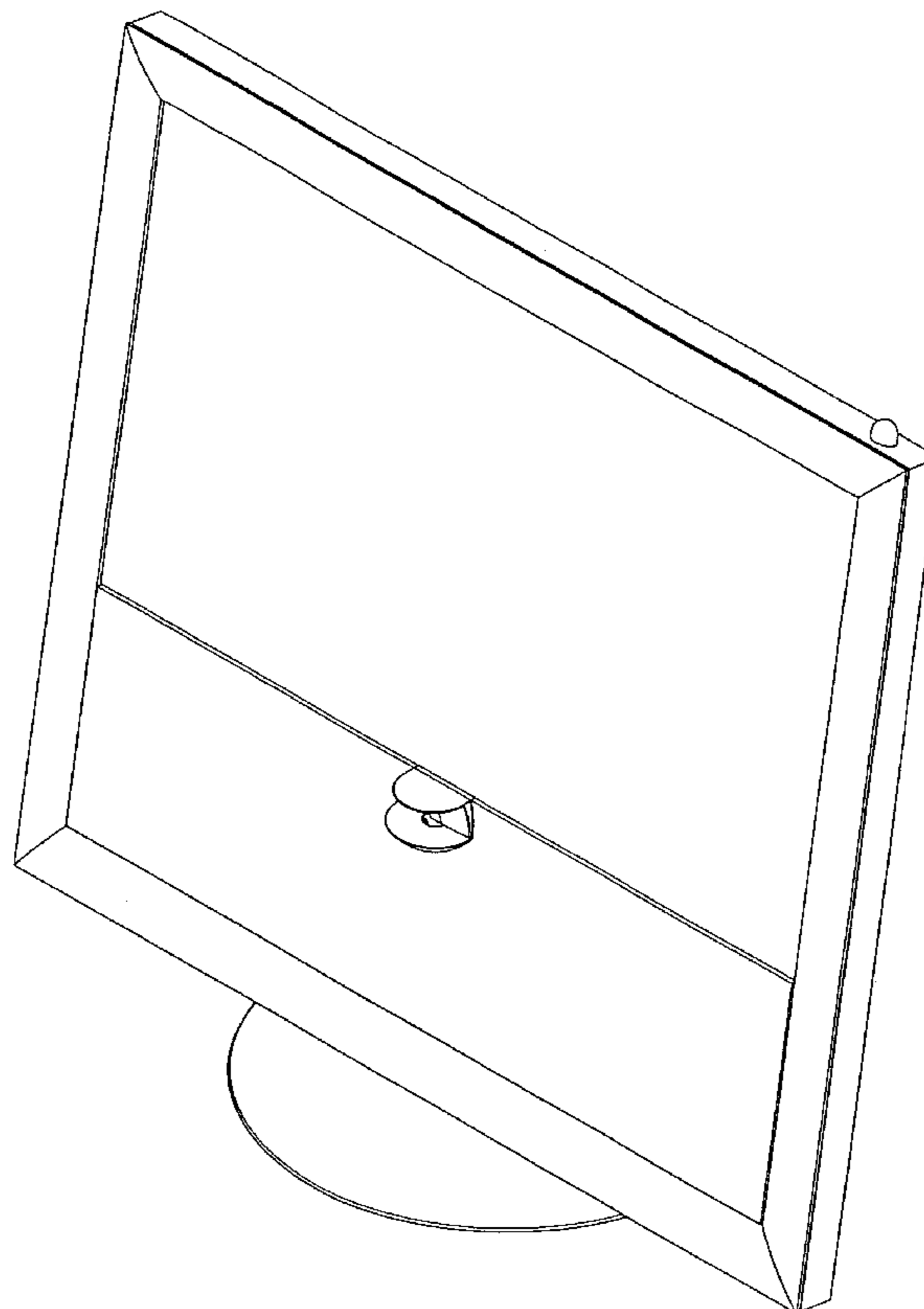
FIG. 5 is a left side elevational view thereof;

FIG. 6 is a right side elevational view thereof;

FIG. 7 is a top plan view thereof; and,

FIG. 8 is a bottom plan view thereof.

1 Claim, 8 Drawing Sheets



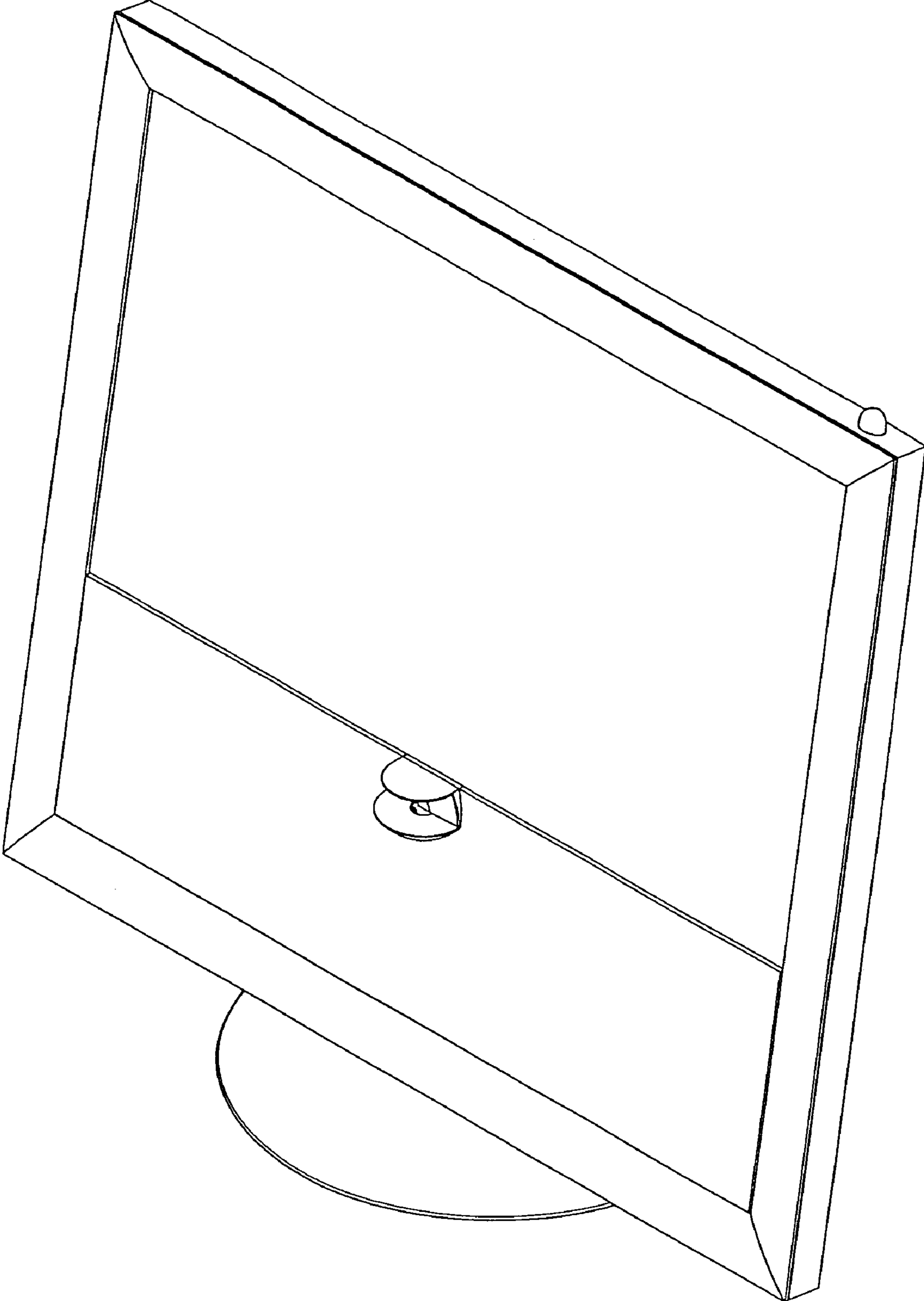


Fig. 1

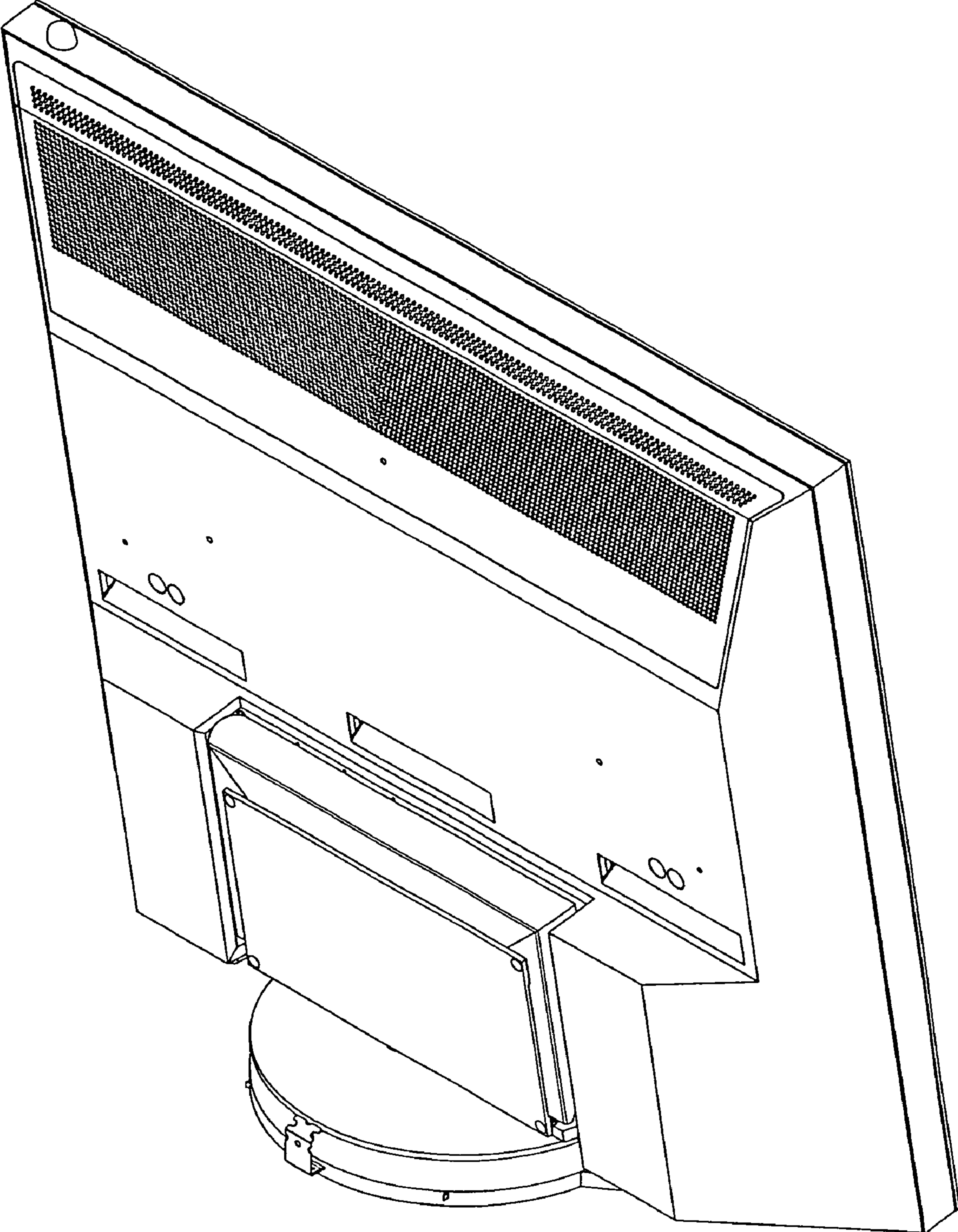


Fig. 2

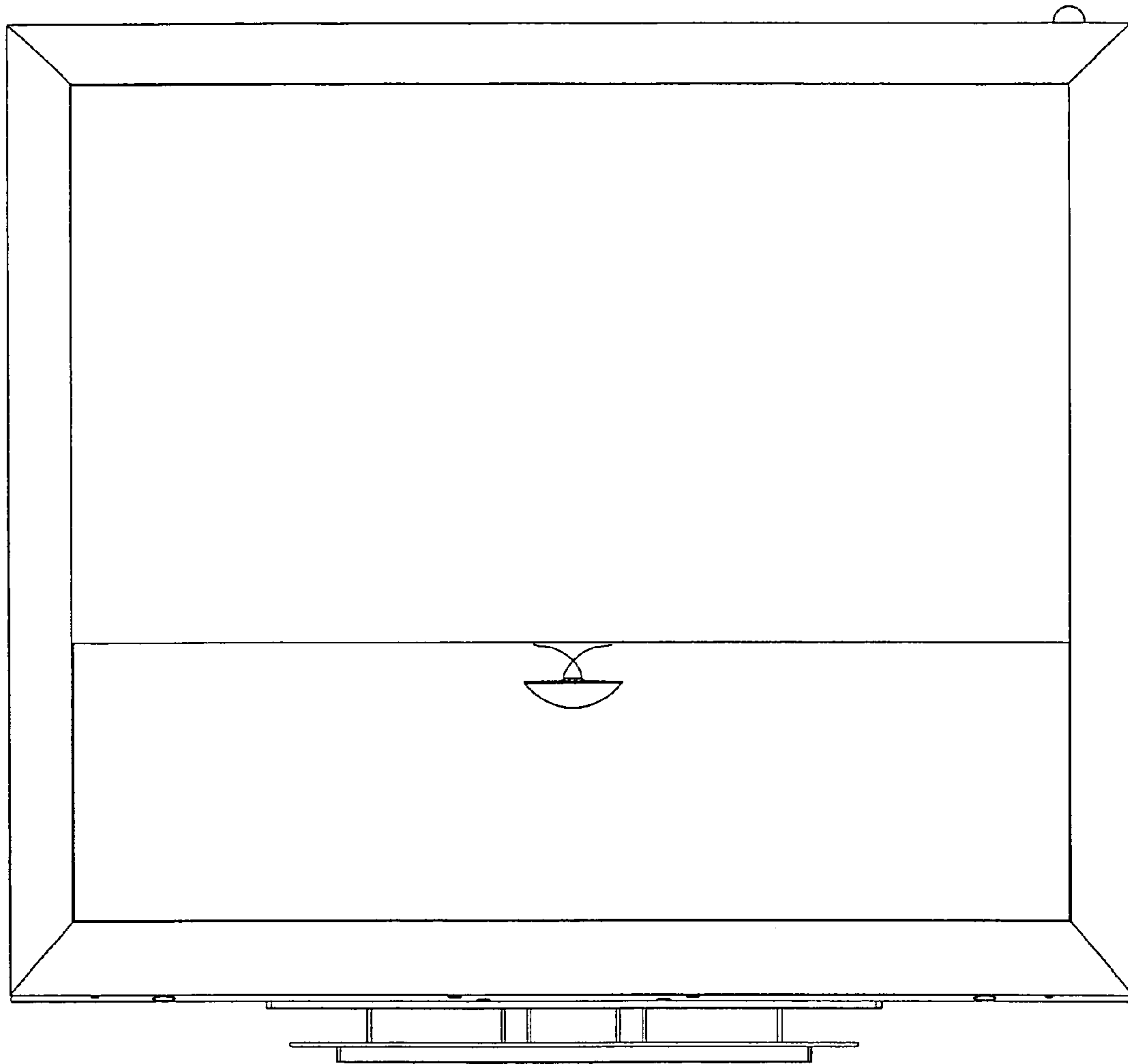


Fig. 3

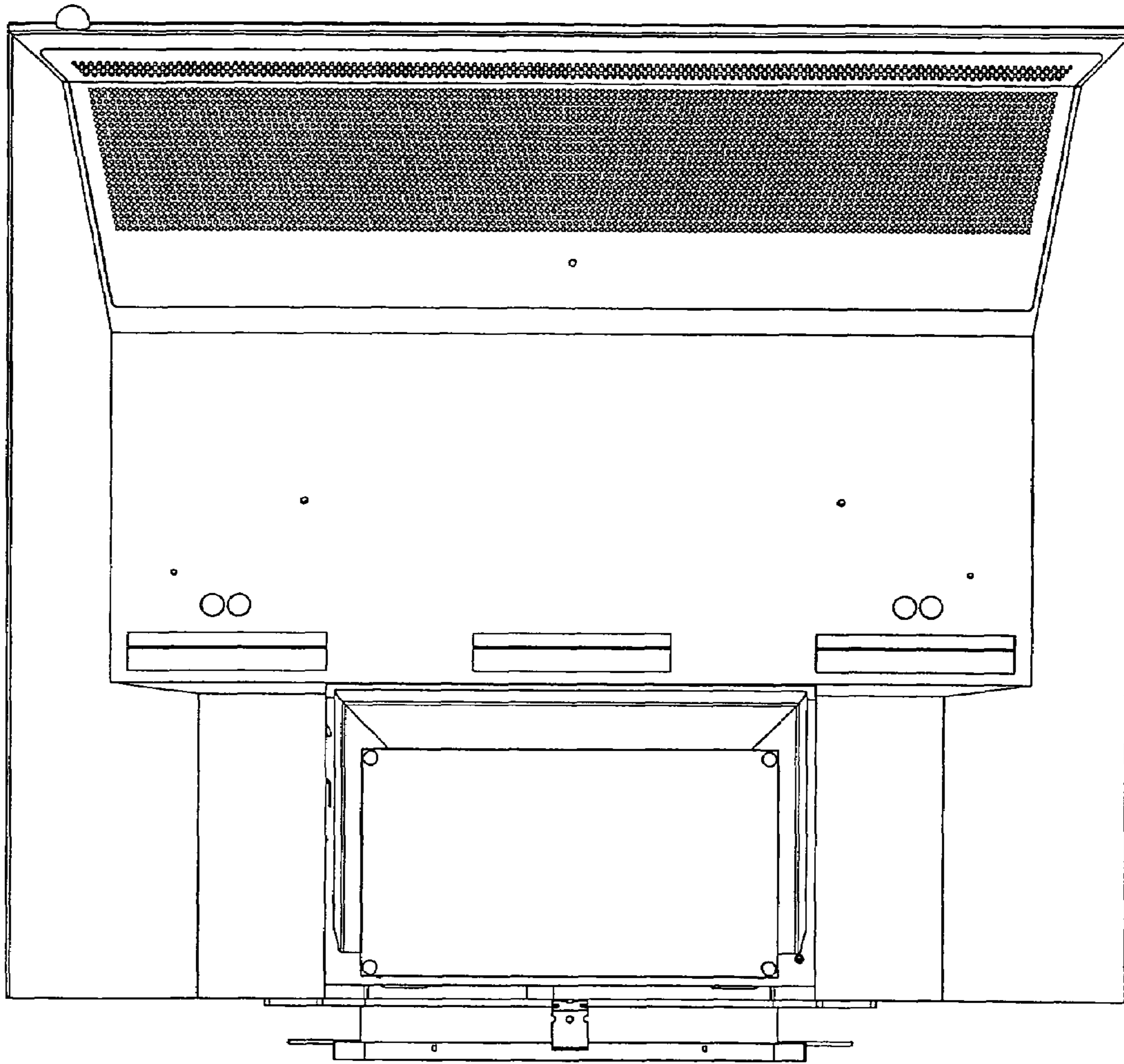


Fig. 4

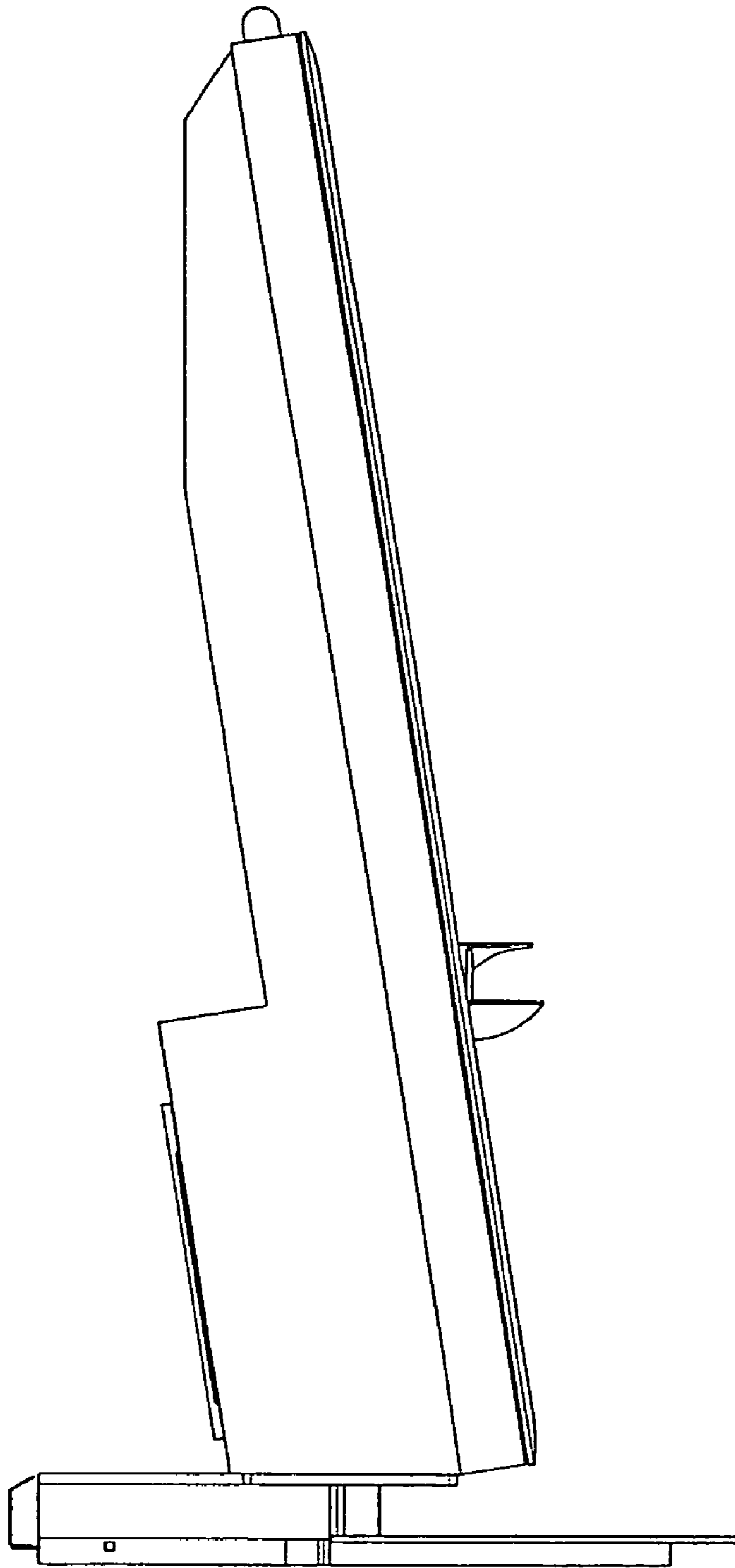


Fig. 5

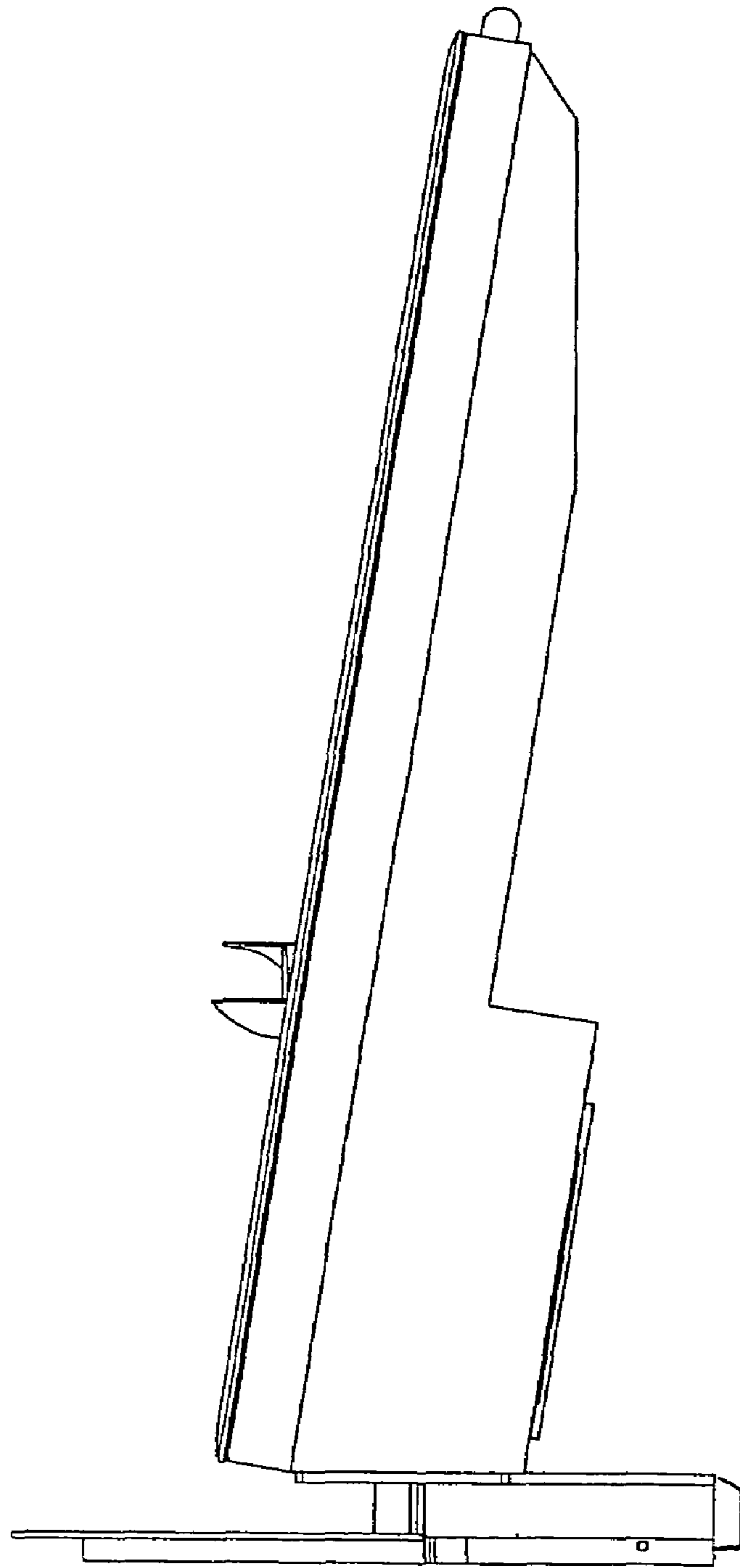


Fig. 6

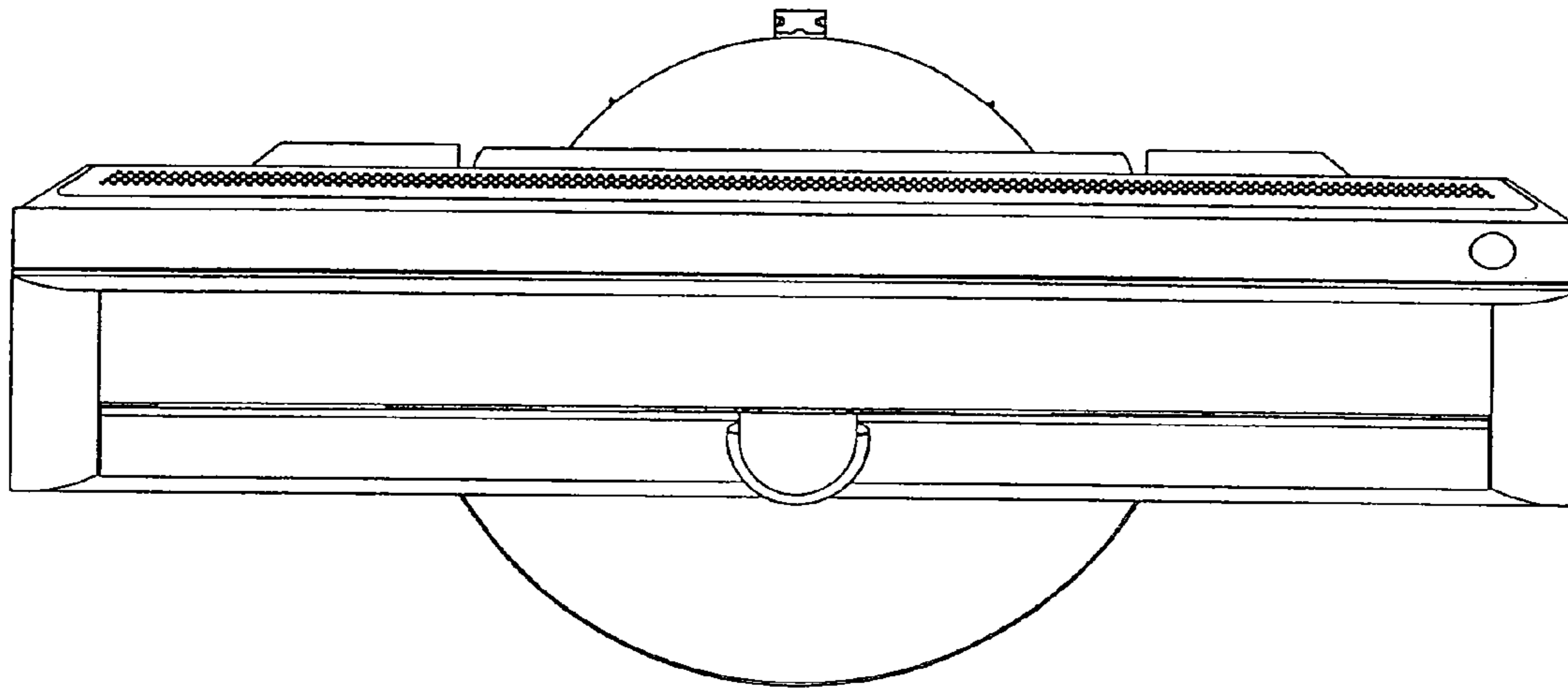


Fig. 7

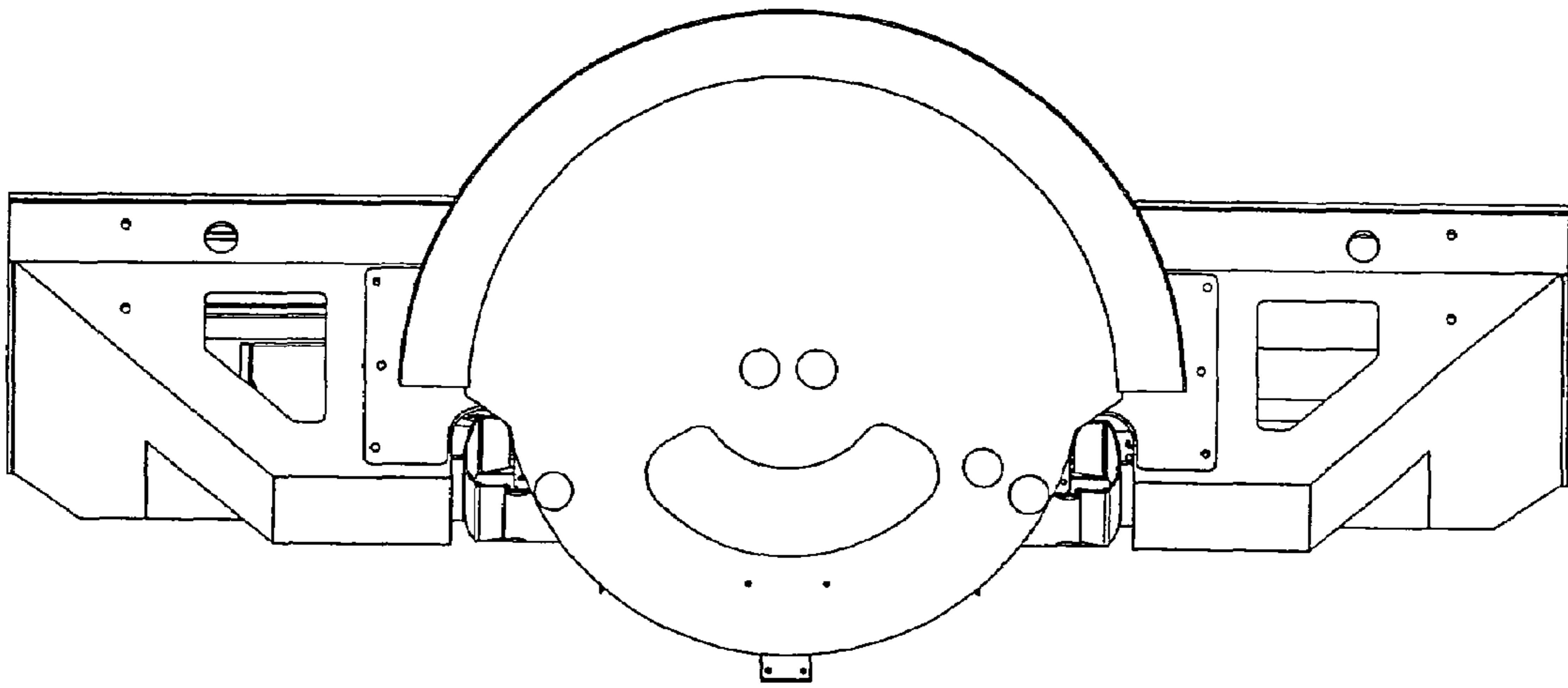


Fig. 8