



US00D572213S

(12) **United States Design Patent**  
**Shih**

(10) **Patent No.:** **US D572,213 S**  
(45) **Date of Patent:** **\*\* Jul. 1, 2008**

(54) **DISPLAY**

(75) Inventor: **Wei-Ming Shih**, Chung Ho (TW)

(73) Assignee: **AmTran Technology Co., Ltd.**, Taipei (TW)

(\*\*) Term: **14 Years**

(21) Appl. No.: **29/287,930**

(22) Filed: **Oct. 3, 2007**

**Related U.S. Application Data**

(63) Continuation-in-part of application No. 29/264,777, filed on Aug. 18, 2006.

(51) **LOC (8) Cl.** ..... **14-03**

(52) **U.S. Cl.** ..... **D14/125**

(58) **Field of Classification Search** ..... D14/125-134,  
D14/239, 371, 136, 374-377; 312/7.2; 348/836,  
348/838, 180, 184, 325, 739; 341/12; 248/917-924,  
248/465, 123.11; 345/104, 133, 156, 168,  
345/87, 173, 169; 349/1, 2, 11, 62; 720/605,  
720/669, 600, 655, 99, 197; 455/344-347;  
369/99, 197

See application file for complete search history.

(56) **References Cited**

**U.S. PATENT DOCUMENTS**

D510,732 S \* 10/2005 Maeda et al. .... D14/129

D528,114 S \* 9/2006 Kawa et al. .... D14/375  
D540,277 S \* 4/2007 Kim et al. .... D14/126  
D541,235 S \* 4/2007 Takami et al. .... D14/126  
D542,746 S \* 5/2007 Kim ..... D14/126  
D556,159 S \* 11/2007 Park et al. .... D14/126

\* cited by examiner

*Primary Examiner*—Raphael Barkai

*Assistant Examiner*—Randall H Gholson

(74) *Attorney, Agent, or Firm*—Rabin & Berdo, P.C.

(57) **CLAIM**

The ornamental design for a “display,” as shown and described.

**DESCRIPTION**

FIG. 1 is a perspective view of display showing my new design;

FIG. 2 is a front view thereof;

FIG. 3 is a rear view thereof;

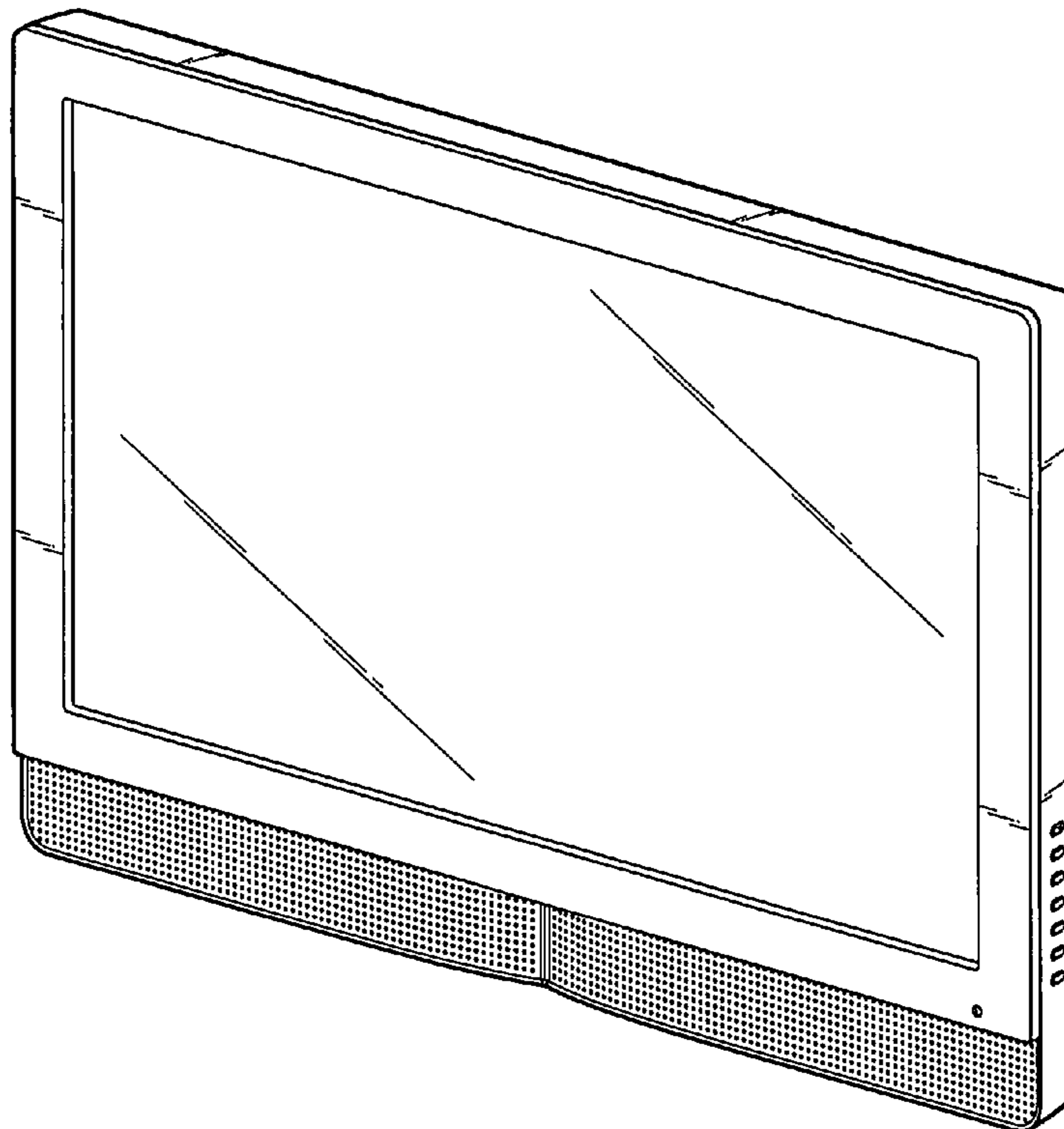
FIG. 4 is a left side elevational view thereof;

FIG. 5 is a right side elevational view thereof;

FIG. 6 is a top view thereof; and,

FIG. 7 is a bottom view thereof.

**1 Claim, 5 Drawing Sheets**



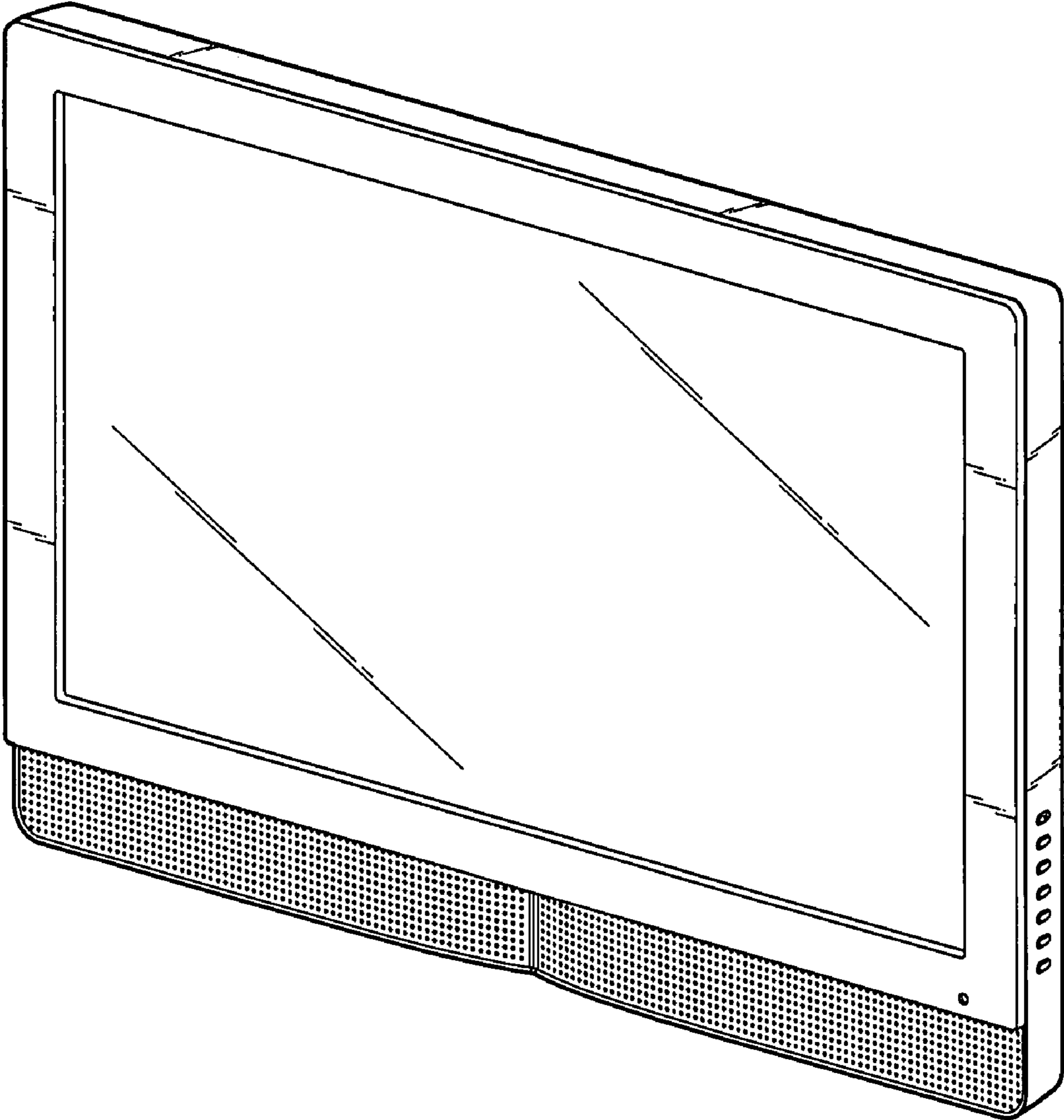


FIG.1

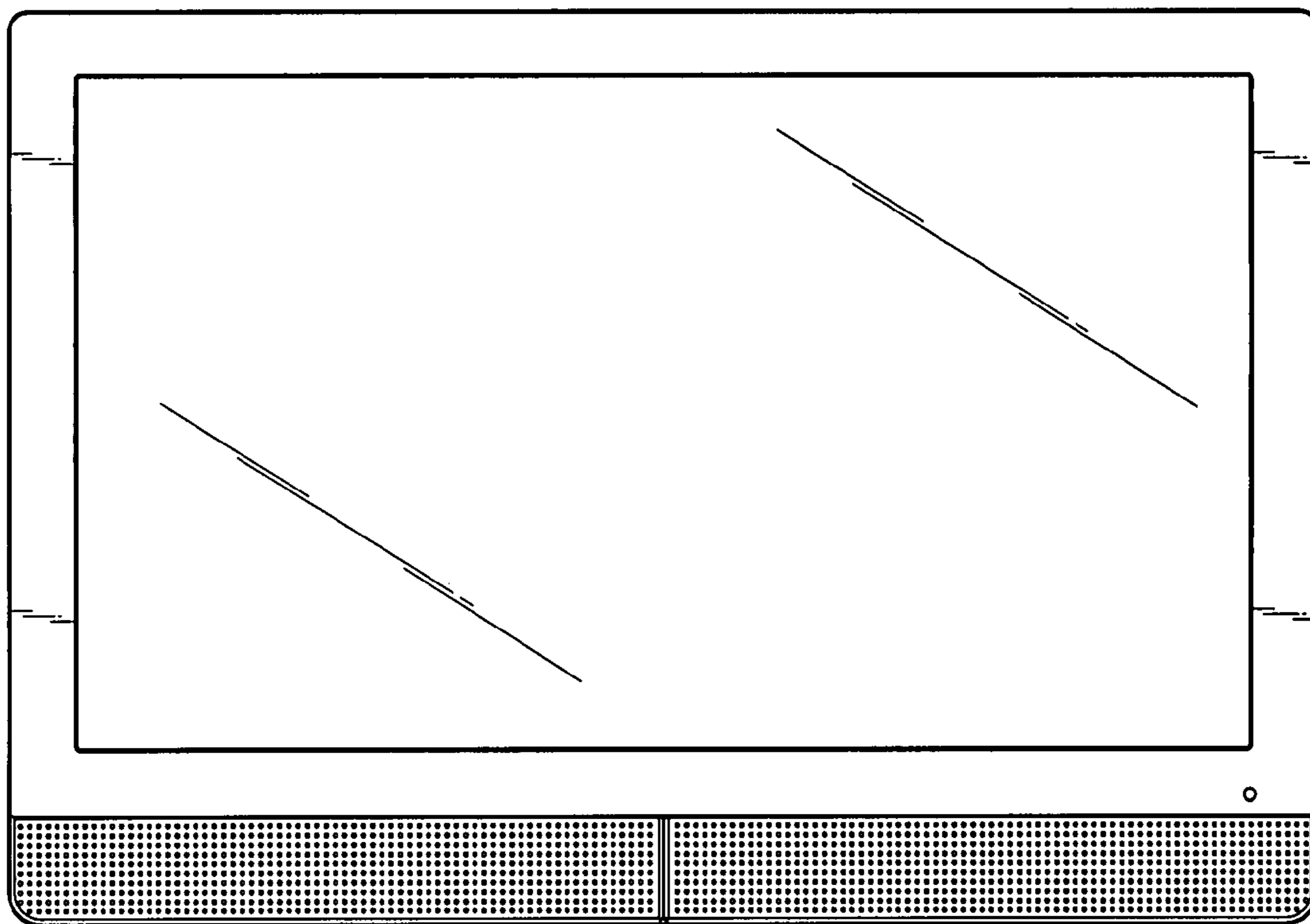


FIG.2

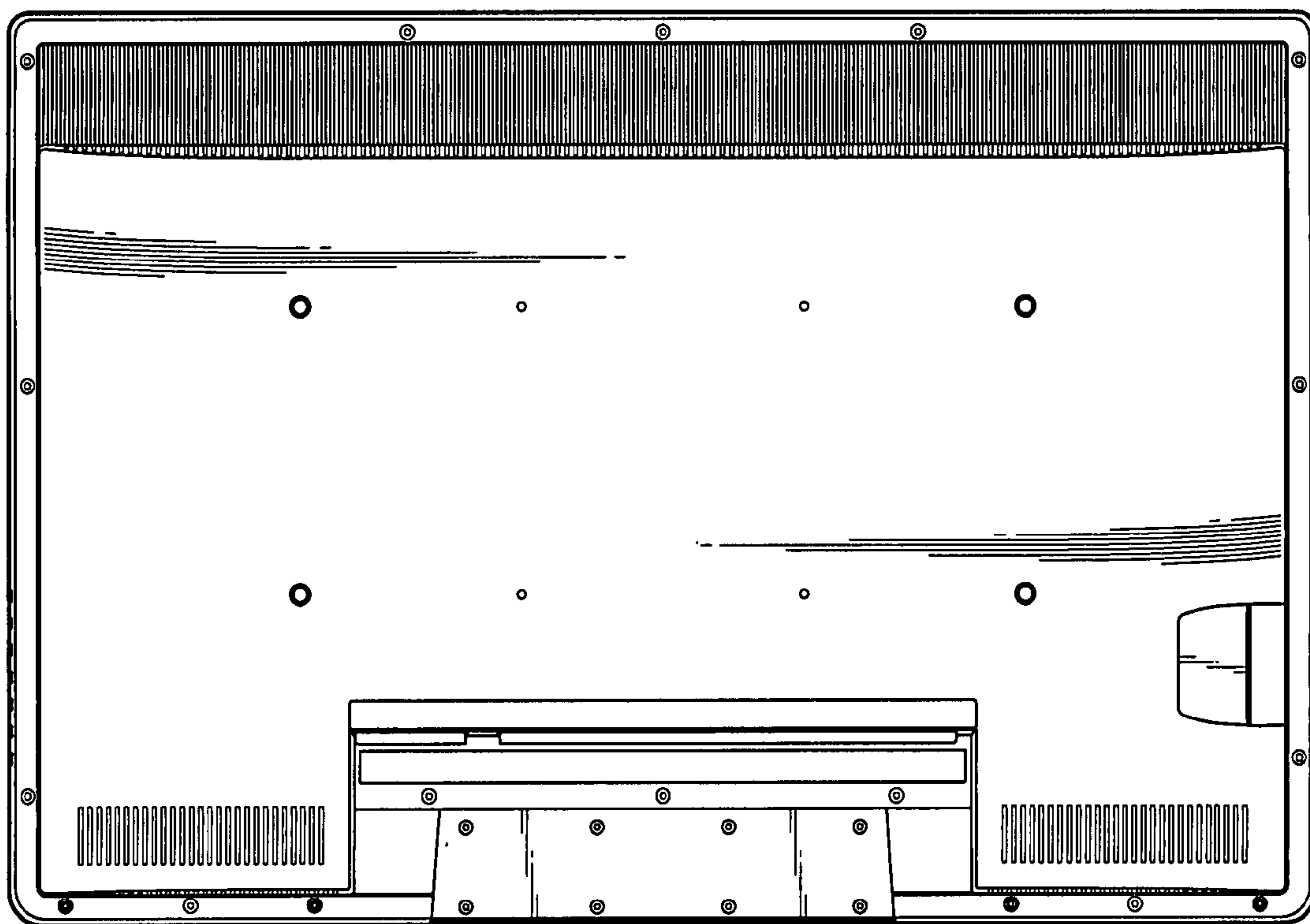


FIG.3

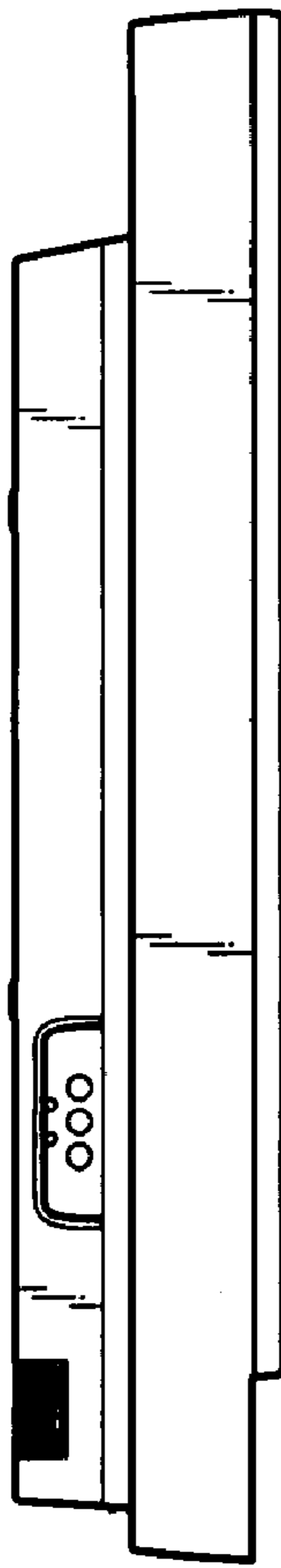


FIG. 4

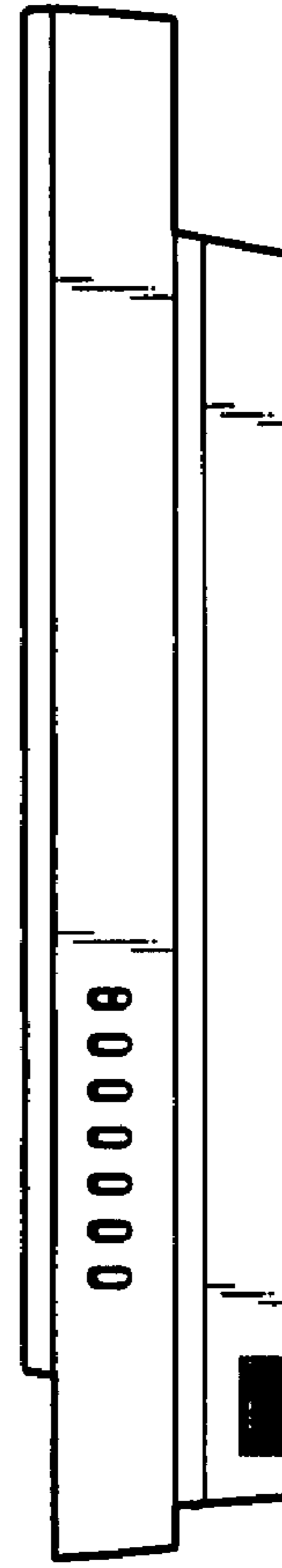


FIG. 5

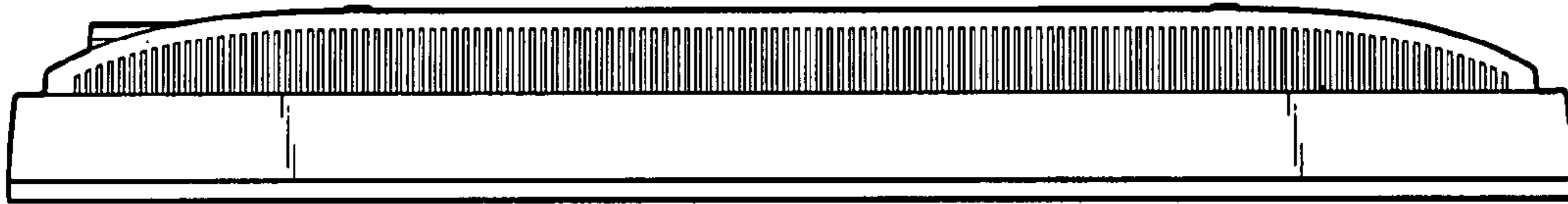


FIG. 6

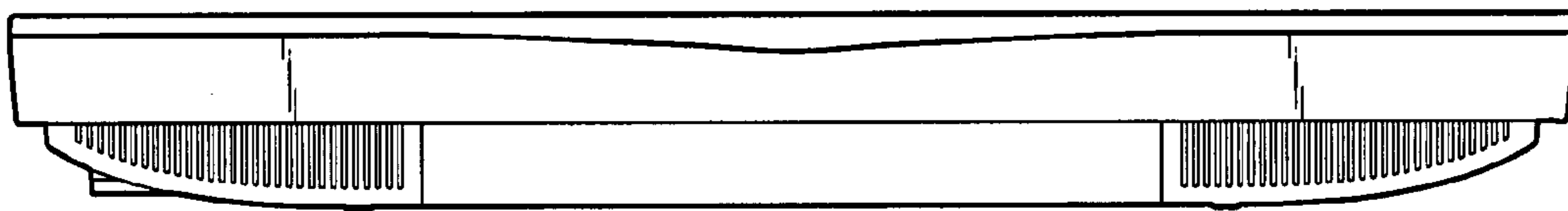


FIG. 7