



US00D572211S

(12) **United States Design Patent**  
**Kim et al.**

(10) **Patent No.:** **US D572,211 S**  
(45) **Date of Patent:** **\*\* Jul. 1, 2008**

(54) **SIDE VIEW TYPE LIGHT EMITTING DIODE**

2007/0063213 A1\* 3/2007 Hsieh et al. .... 257/99  
2007/0114555 A1\* 5/2007 Takemoto et al. .... 257/99

(75) Inventors: **Dong Sel Kim**, Suwon-si (KR); **Chi Ok In**, Dangjin-gun (KR); **Jong Won Park**, Jeonju-si (KR)

\* cited by examiner

*Primary Examiner*—Selina Sikder

(74) *Attorney, Agent, or Firm*—Sughrue Mion, PLLC

(73) Assignee: **Alti-electronics Co., Ltd.**, Yongin-si (KR)

(57) **CLAIM**

(\*\*) Term: **14 Years**

The ornamental design for a side view type light emitting diode, as shown and described.

(21) Appl. No.: **29/278,977**

(22) Filed: **Apr. 17, 2007**

**DESCRIPTION**

(30) **Foreign Application Priority Data**

Feb. 26, 2007 (KR) ..... 30-2007-0008484

FIG. 1 is a perspective view of the side view type light emitting diode, showing our new design;

FIG. 2 is a front elevational view of the side view type light emitting diode of FIG. 1;

(51) **LOC (8) Cl.** ..... **13-03**

(52) **U.S. Cl.** ..... **D13/180**

(58) **Field of Classification Search** ..... D13/180;  
D26/2; 257/79, 80, 81, 88, 89, 95, 98, 99,  
257/100; 313/483, 498, 500; 362/555, 800  
See application file for complete search history.

FIG. 3 is a rear elevational view of the side view type light emitting diode of FIG. 1;

FIG. 4 is a left side elevational view of the side view type light emitting diode of FIG. 1;

FIG. 5 is a right side elevational view of the side view type light emitting diode 1;

(56) **References Cited**

**U.S. PATENT DOCUMENTS**

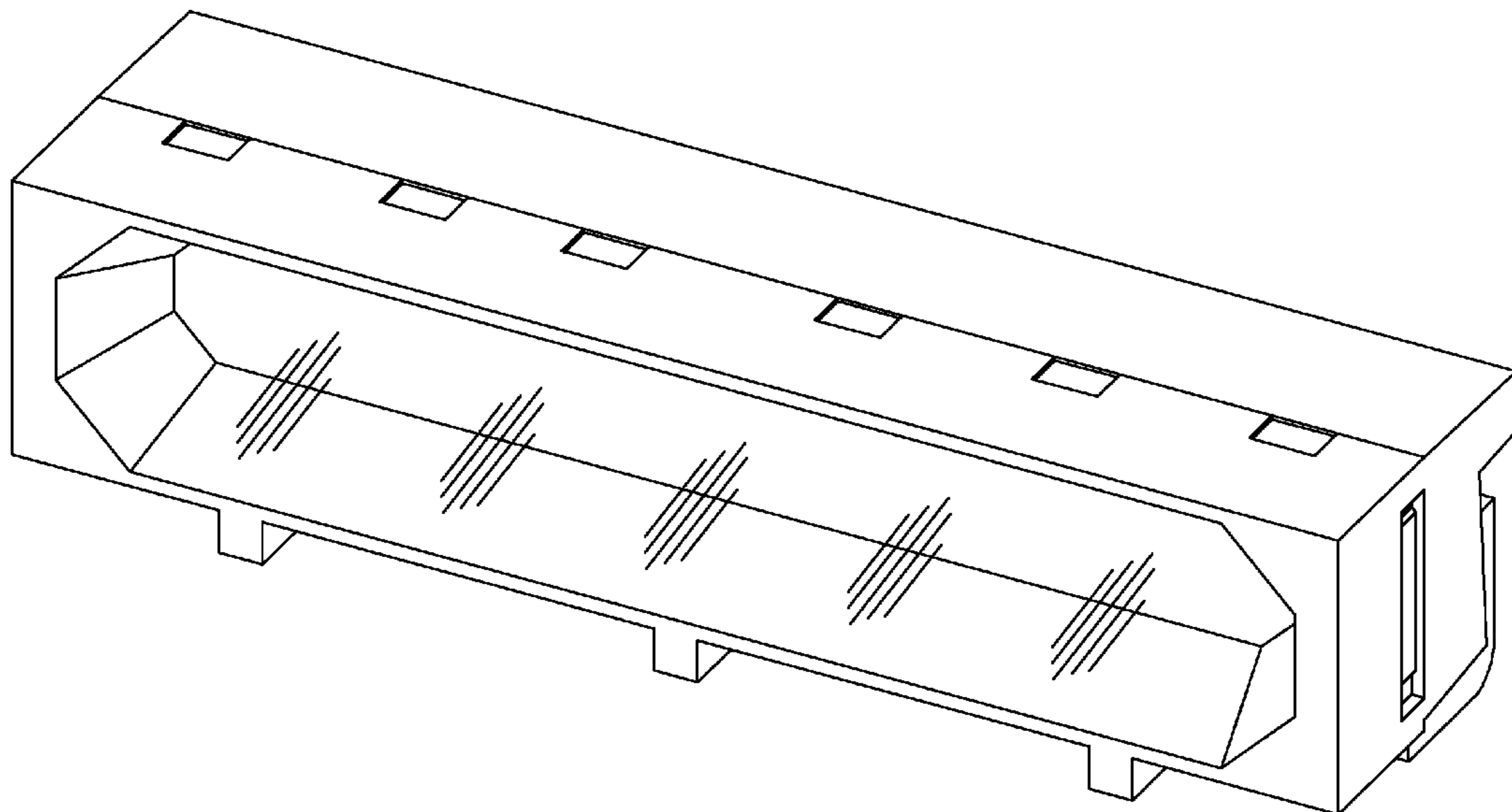
D476,960 S \* 7/2003 Fukasawa et al. .... D13/182  
D548,704 S \* 8/2007 Wu et al. .... D13/180  
7,279,723 B2 \* 10/2007 Matsumura et al. .... 257/100  
2002/0149314 A1 \* 10/2002 Takahashi et al. .... 313/500  
2006/0284207 A1 \* 12/2006 Park et al. .... 257/99  
2007/0029915 A1 \* 2/2007 Kim et al. .... 313/483

FIG. 6 is a top plan view of the side view type light emitting diode of FIG. 1;

FIG. 7 is a bottom plan view of the side view type light emitting diode of FIG. 1; and,

FIG. 8 is a bottom rear perspective view of the side view type light emitting diode of FIG. 1.

**1 Claim, 8 Drawing Sheets**



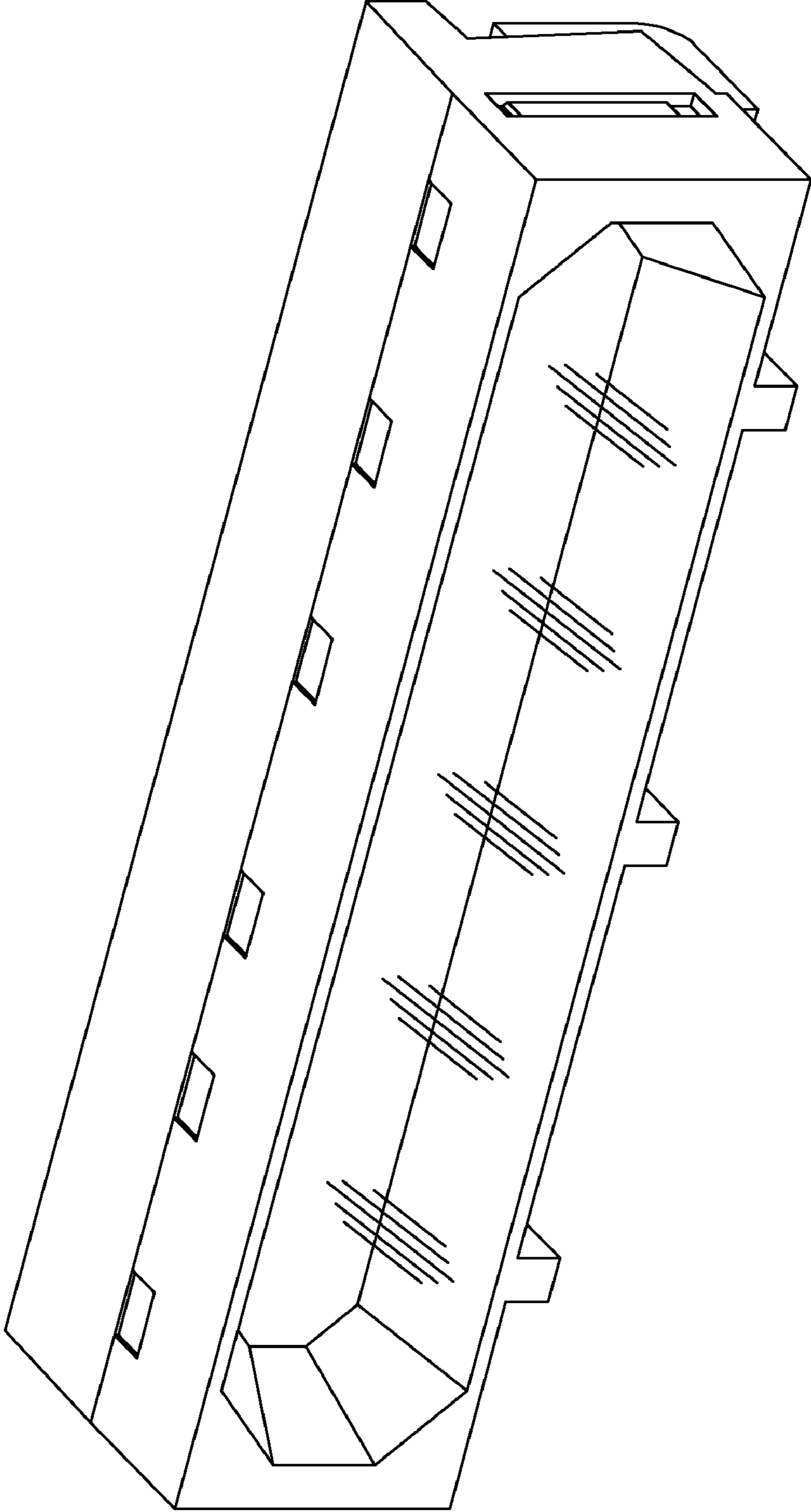


FIG. 1

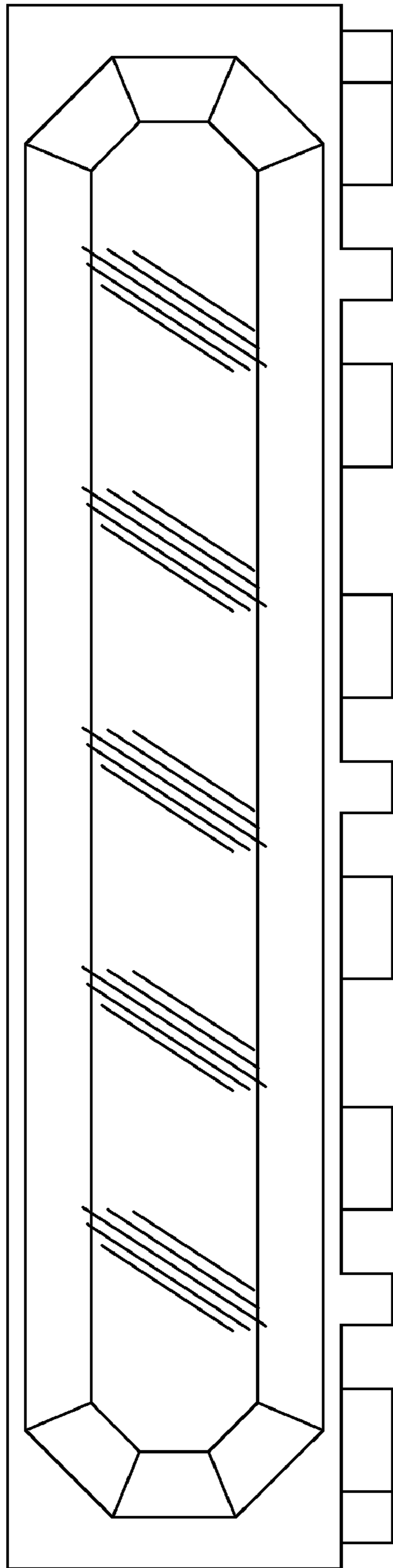


FIG. 2

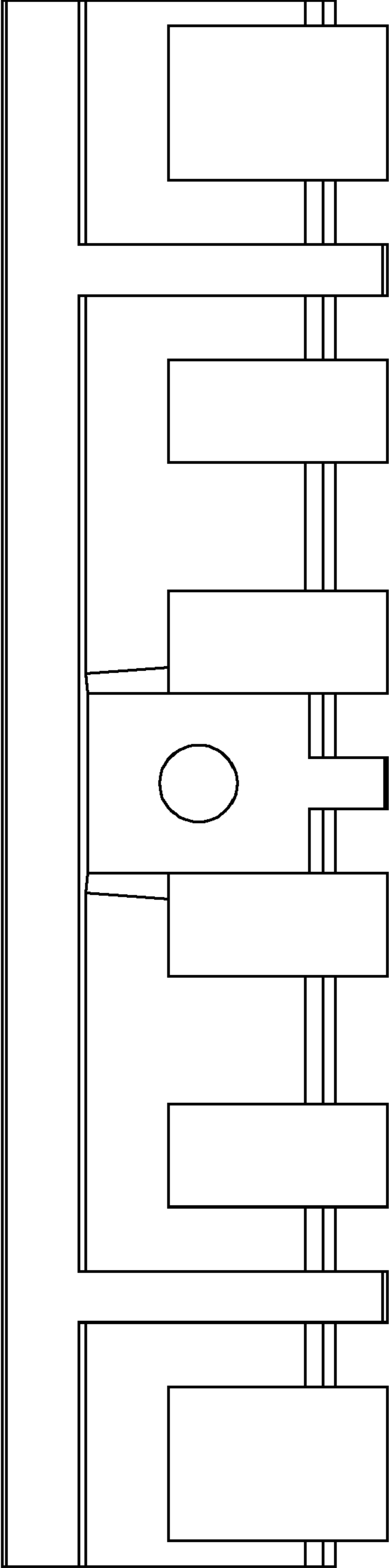


FIG. 3

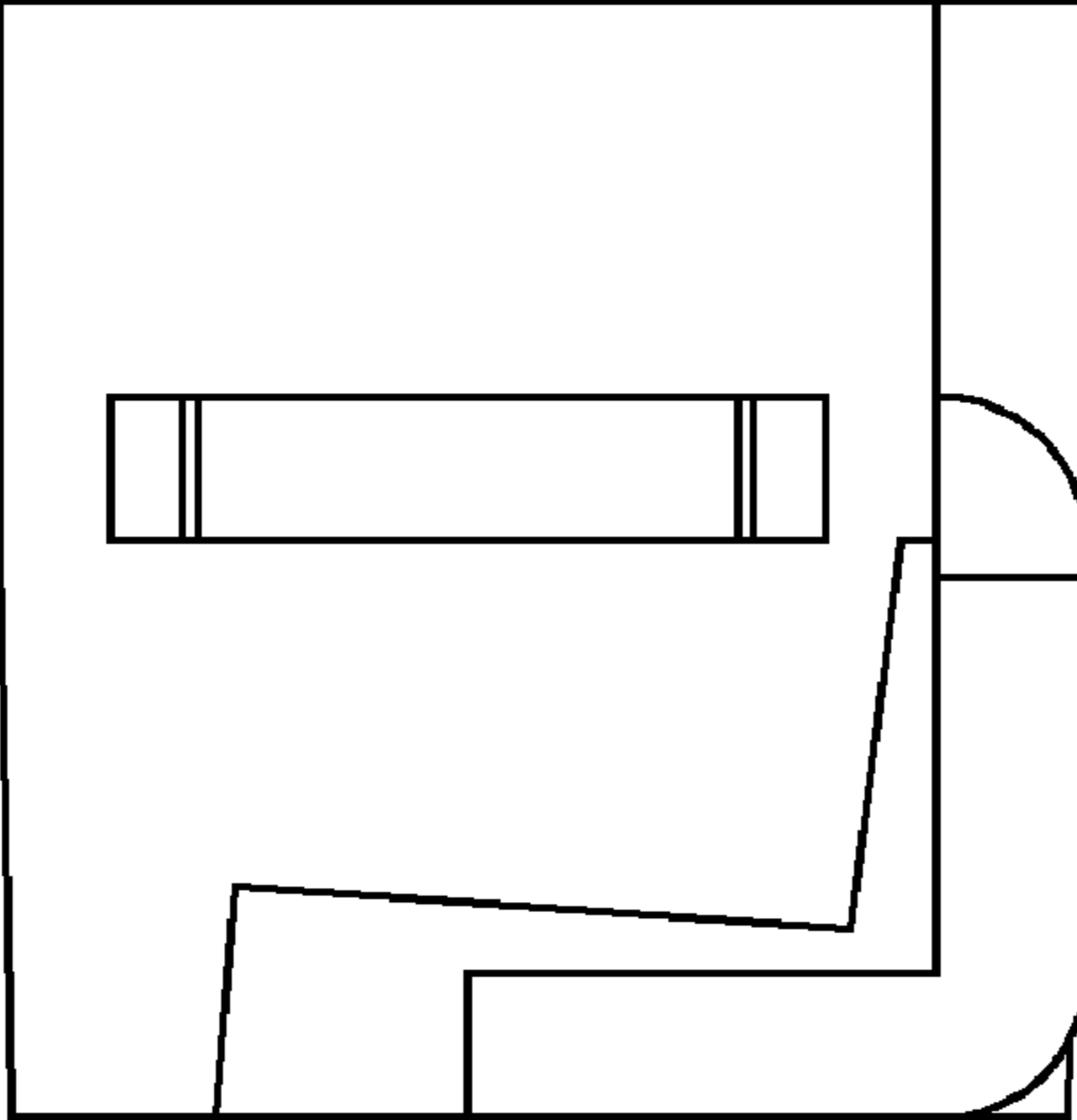


FIG. 4

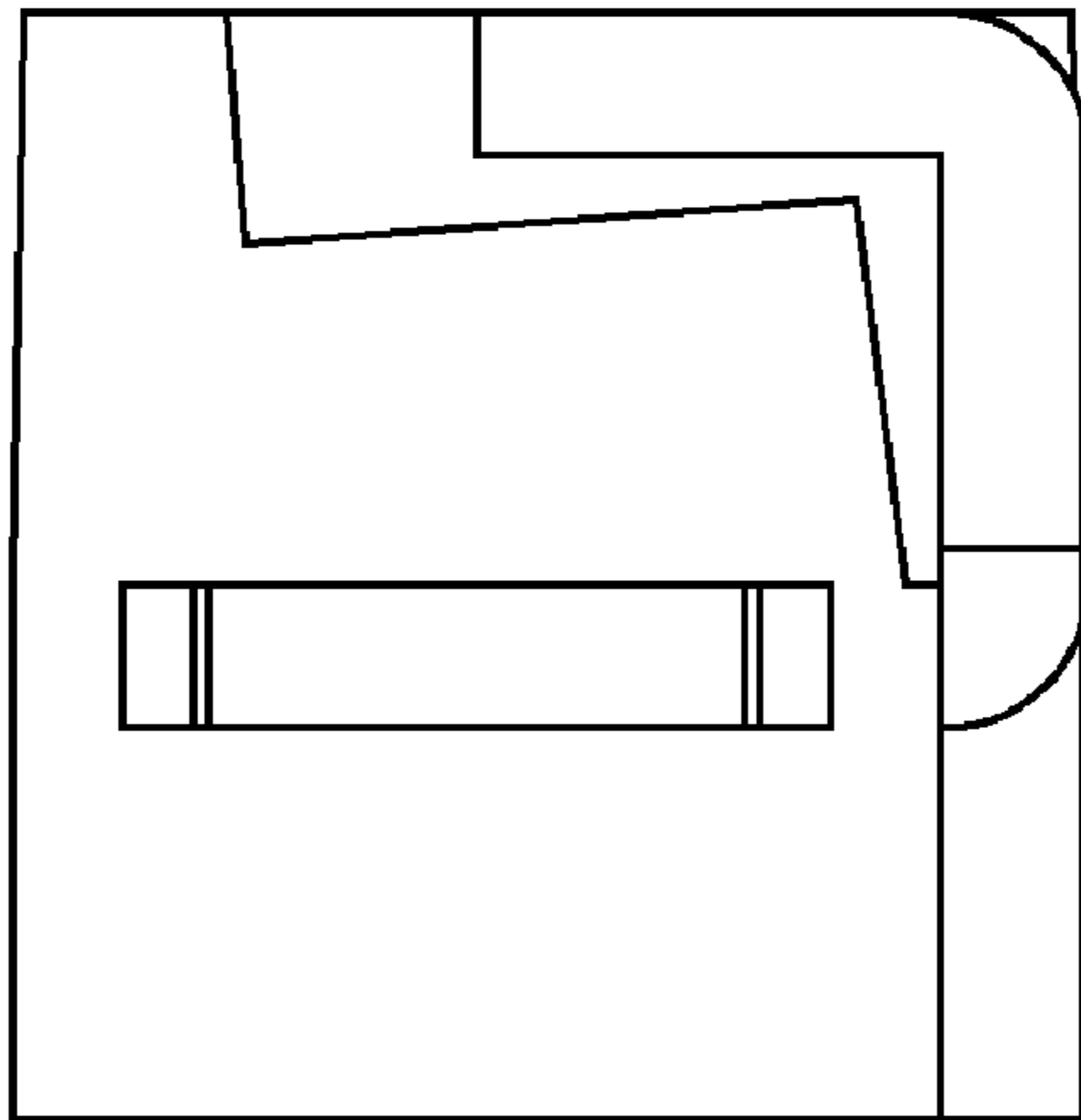


FIG. 5

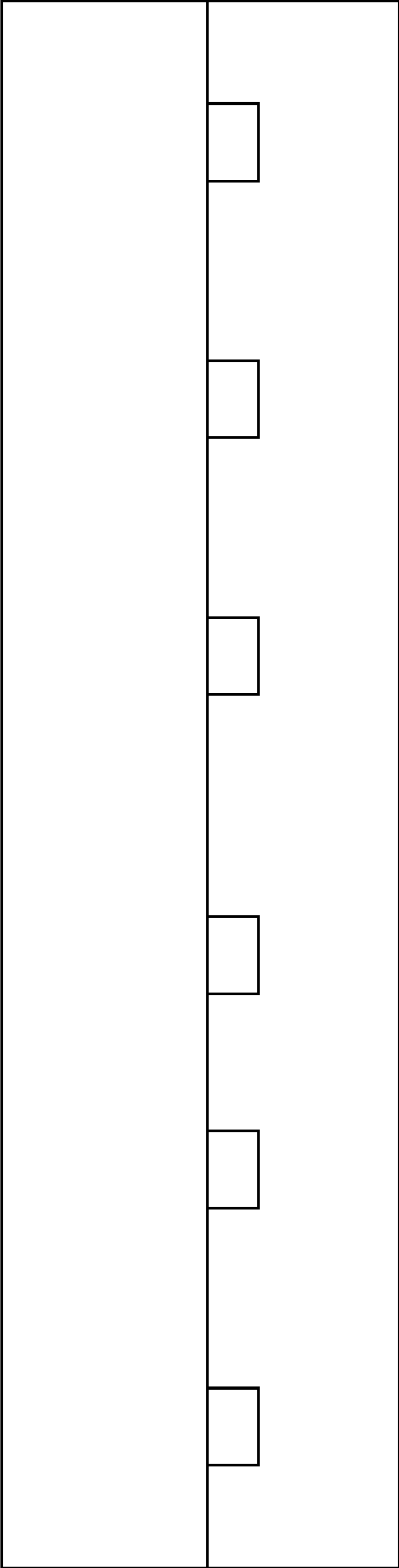


FIG. 6

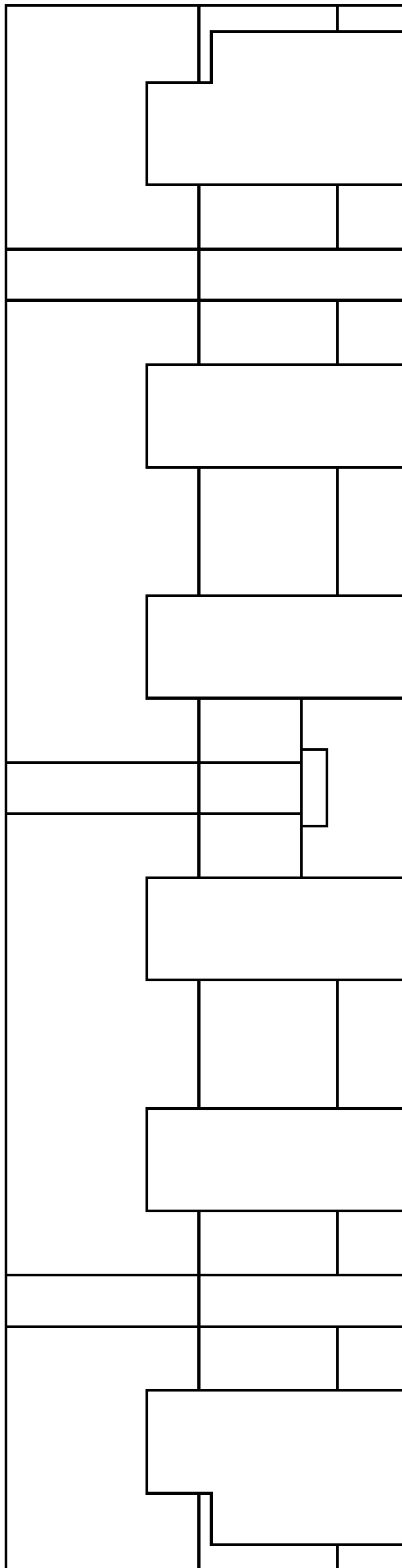


FIG. 7



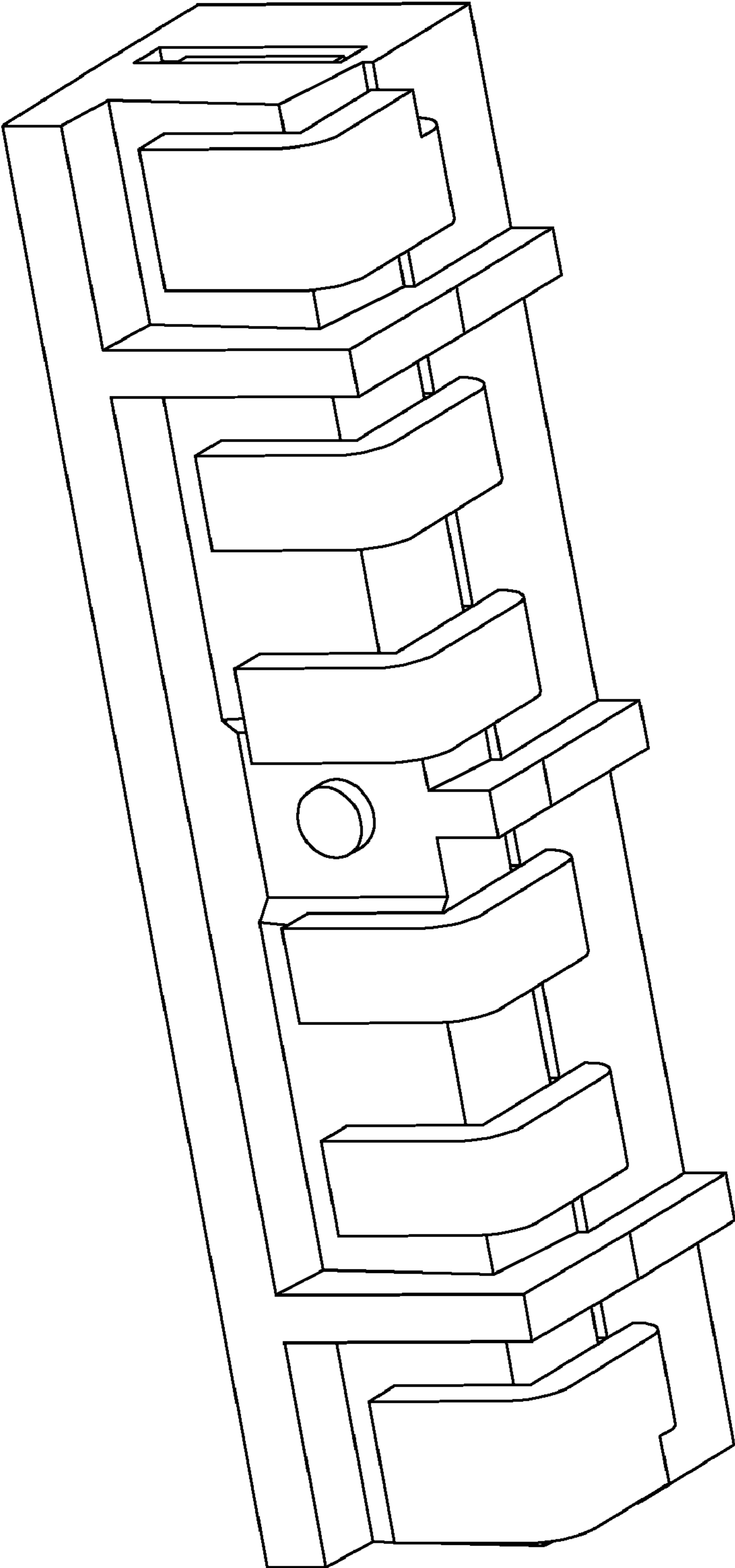


FIG. 8