



US00D572208S

(12) **United States Design Patent**  
**Mayo et al.**

(10) **Patent No.:** **US D572,208 S**  
(45) **Date of Patent:** **\*\* Jul. 1, 2008**

(54) **DUAL DIMMER SWITCH**  
(75) Inventors: **Noel Mayo**, Philadelphia, PA (US); **Joel S. Spira**, Coopersburg, PA (US)  
(73) Assignee: **Lutron Electronics Co., Inc.**, Coopersburg, PA (US)

5,196,782 A 3/1993 D'Aleo et al.  
5,338,910 A 8/1994 Tsai  
D380,451 S 7/1997 Krajci et al.  
5,825,279 A 10/1998 Yagi  
D453,742 S 2/2002 Butler et al.  
6,963,040 B1 11/2005 Urman

**FOREIGN PATENT DOCUMENTS**

(\*\*) Term: **14 Years**  
(21) Appl. No.: **29/284,018**

EM 000249248-0003 1/2005  
EM 000249248-0004 1/2005  
EM 000249248-0005 1/2005

(22) Filed: **Aug. 29, 2007**

*Primary Examiner*—Selina Sikder  
(74) *Attorney, Agent, or Firm*—Mark E. Rose

**Related U.S. Application Data**

(62) Division of application No. 29/261,701, filed on Jun. 19, 2006.

(57) **CLAIM**

We claim the ornamental design for a dual dimmer switch, as shown and described.

(51) **LOC (8) Cl.** ..... **13-03**  
(52) **U.S. Cl.** ..... **D13/170**  
(58) **Field of Classification Search** ..... D13/162, D13/169, 170; 174/66; 200/530, 531, 536, 200/252, 293, 333, 335, 329; 338/128, 176; D8/353; 307/116, 125, 139  
See application file for complete search history.

**DESCRIPTION**

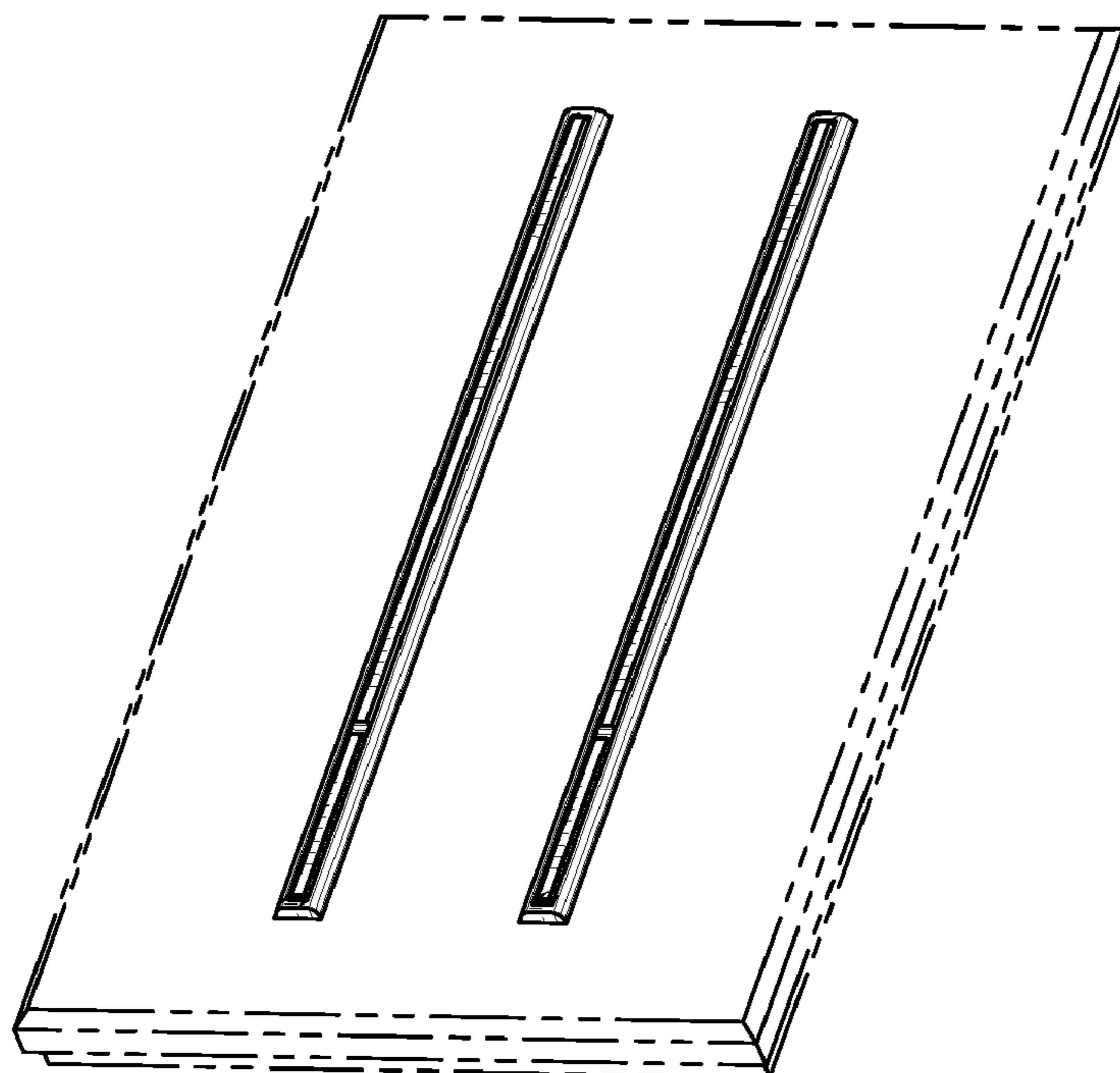
FIG. 1 is a perspective view of a dual dimmer switch according to an embodiment of our new design.  
FIG. 2 is a front view thereof.  
FIG. 3 is a left side view thereof.  
FIG. 4 is a right side view thereof.  
FIG. 5 is a top view thereof; and,  
FIG. 6 is a bottom view thereof.

The rear view forms no part of the design and is omitted. The portions of the drawings appearing in broken line are for environment only and do not form a part of the design.

(56) **References Cited**  
**U.S. PATENT DOCUMENTS**

3,693,129 A 9/1972 Shimizu  
4,196,406 A 4/1980 Salem  
4,246,494 A 1/1981 Foreman et al.  
4,559,515 A 12/1985 Takezawa  
4,947,054 A 8/1990 Flowers et al.  
5,118,910 A 6/1992 Duhon et al.

**1 Claim, 4 Drawing Sheets**



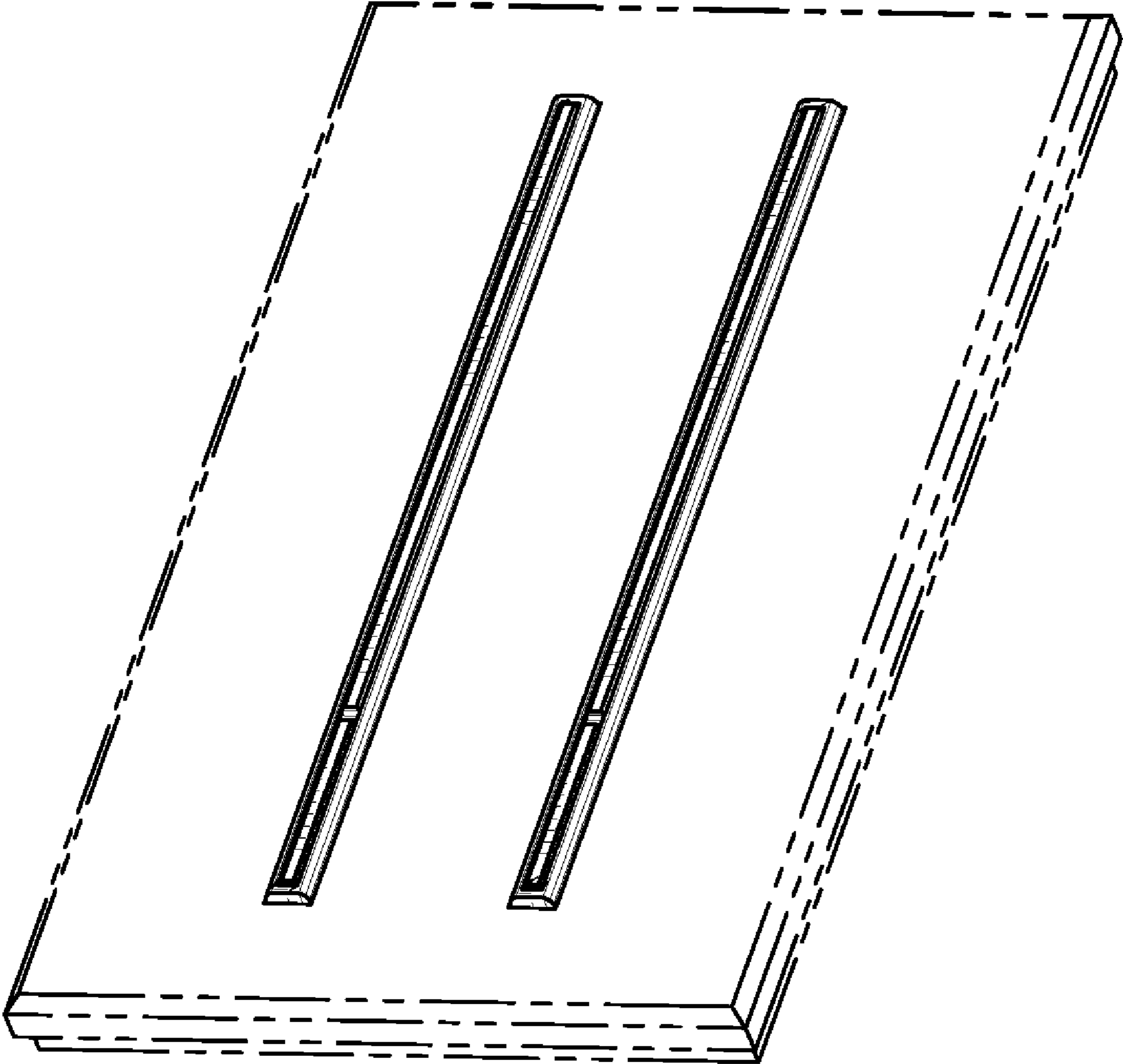


Fig. 1

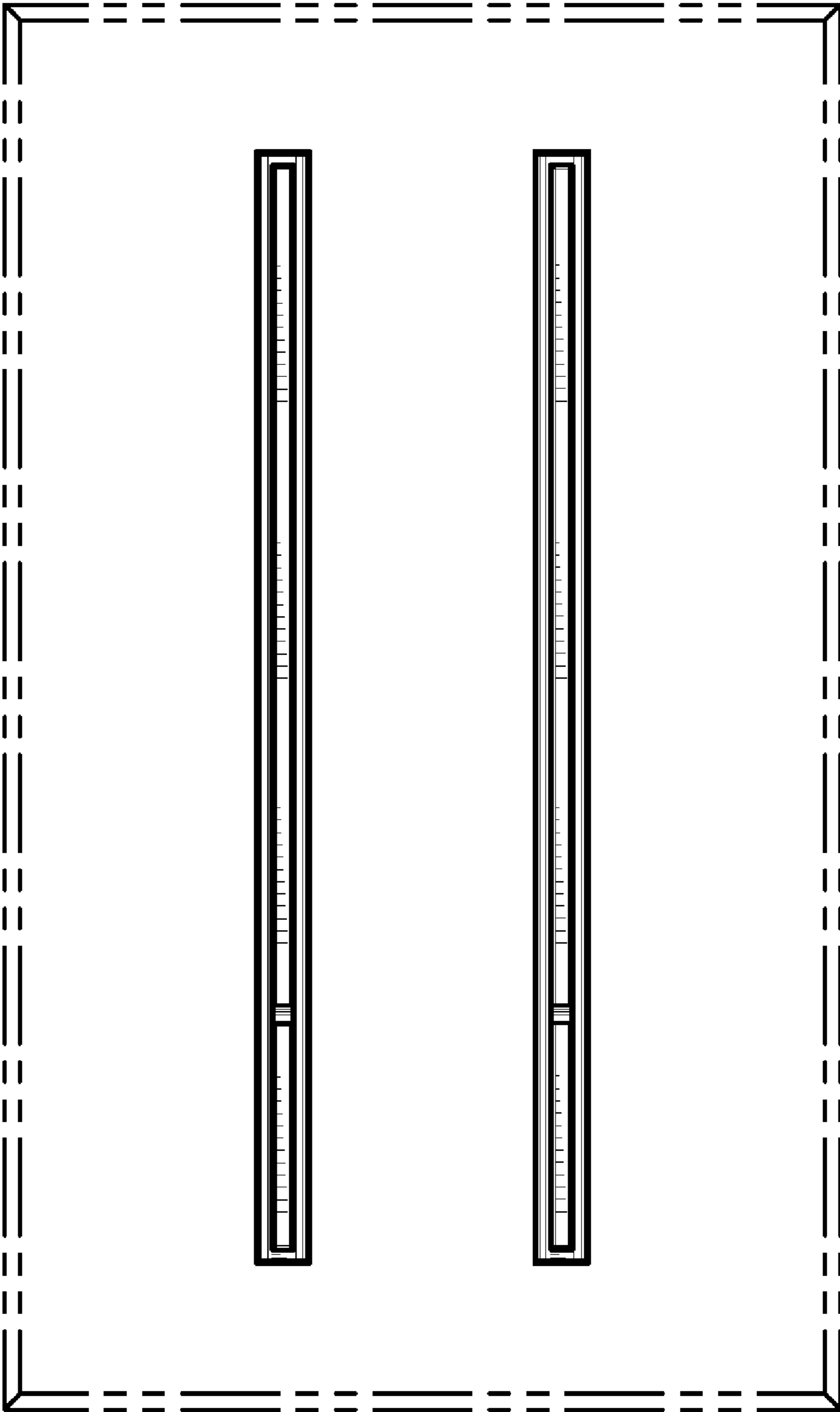


Fig. 2

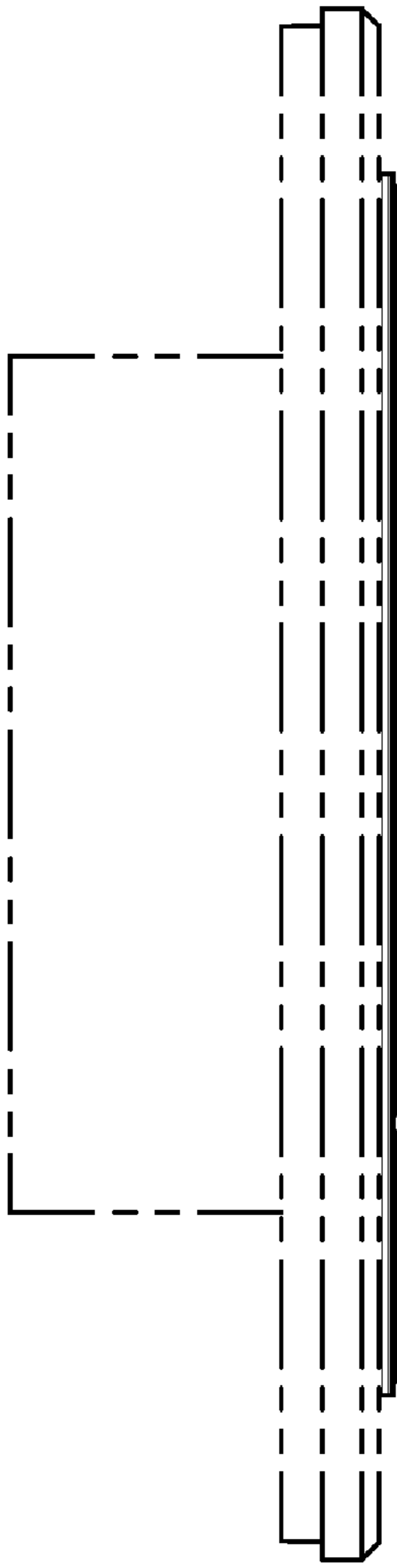


Fig. 3

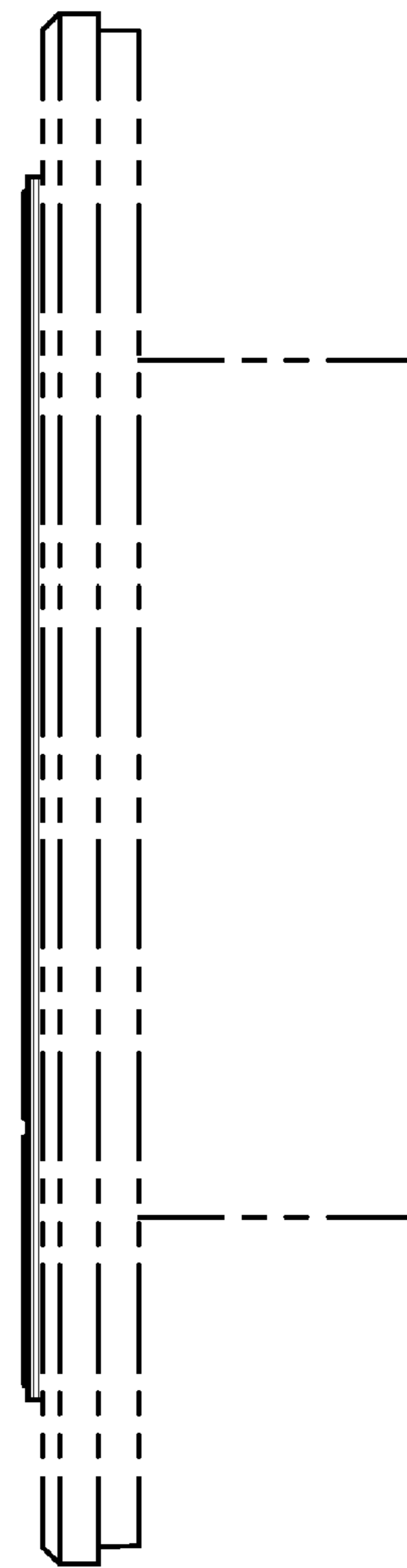


Fig. 4

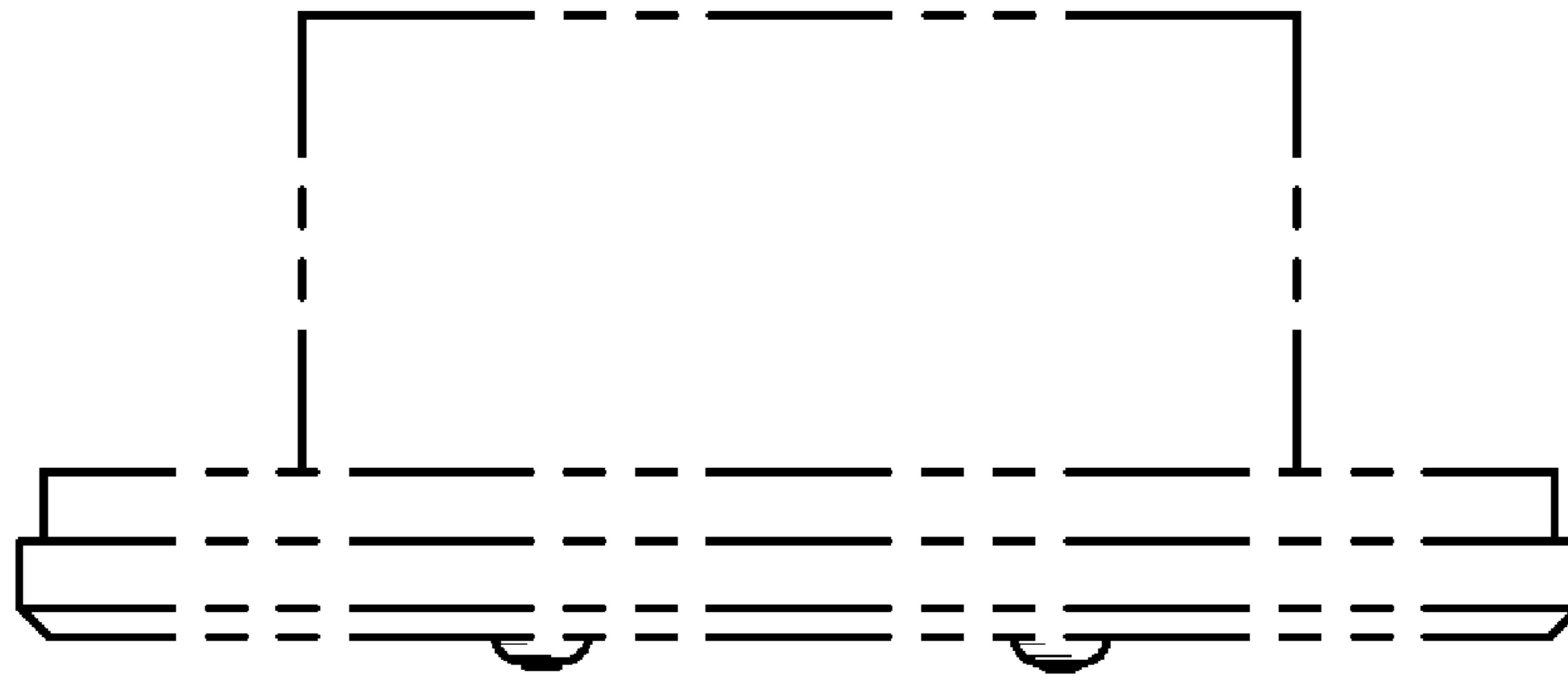


Fig. 5

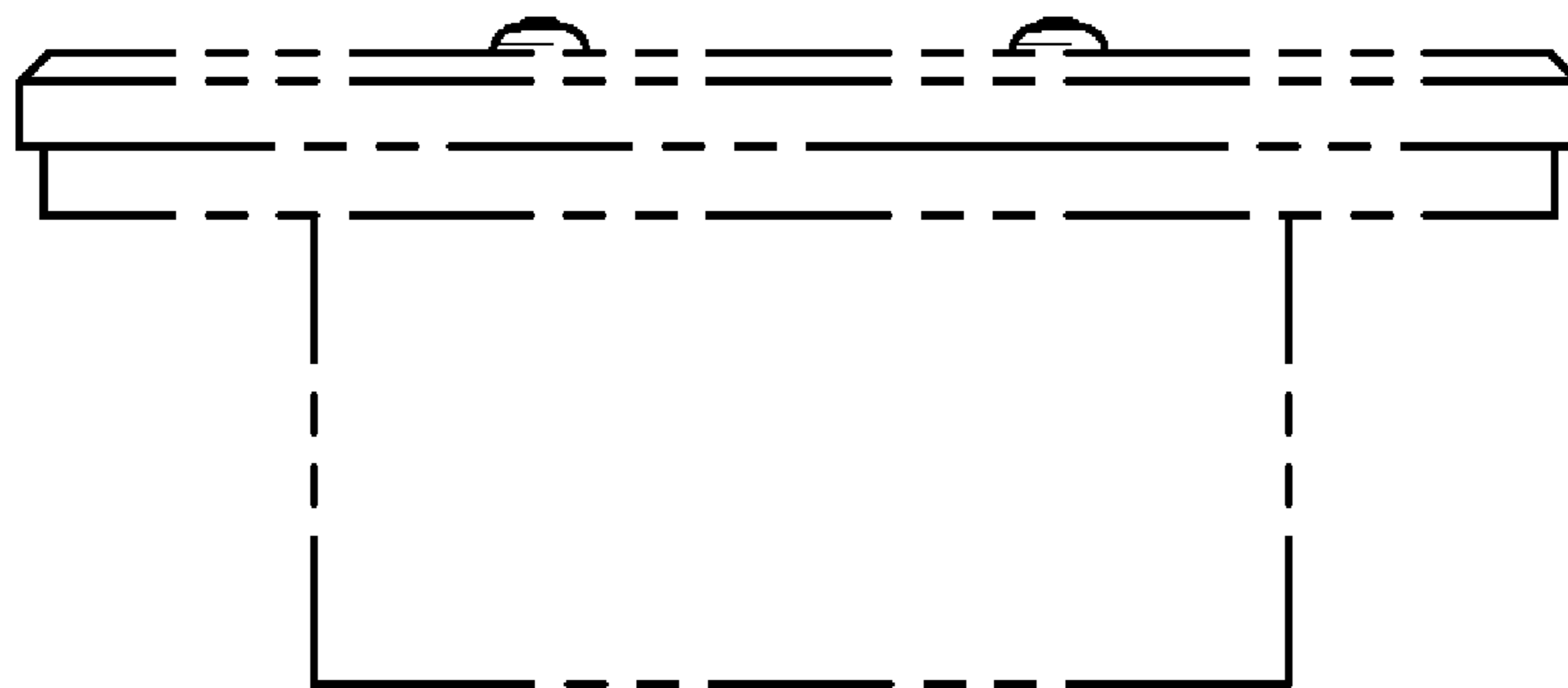


Fig. 6