



US00D572206S

(12) **United States Design Patent**
Ikeda et al.

(10) **Patent No.:** **US D572,206 S**
(45) **Date of Patent:** **** Jul. 1, 2008**

(54) **BUTTON CONFIGURATION PORTION OF AN ELECTRONIC CONTROLLER**

(75) Inventors: **John Ikeda**, Seattle, WA (US); **Carl Ledbetter**, Mercer Island, WA (US); **Adam Kyle Barry**, San Francisco, CA (US); **Christopher Harsacky**, San Francisco, CA (US)

(73) Assignee: **Microsoft Corporation**, Redmond, WA (US)

(**) Term: **14 Years**

(21) Appl. No.: **29/280,357**

(22) Filed: **May 24, 2007**

(51) **LOC (8) Cl.** **13-03**

(52) **U.S. Cl.** **D13/168**

(58) **Field of Classification Search** D13/168;
D10/104, 106; D14/218, 247; 340/825.22,
340/825.24, 825.25, 825.31, 825.36, 825.69,
340/825.72; 341/20, 22, 23, 34, 176; 345/156,
345/158, 169; 348/734; 455/92, 95, 100,
455/128, 151.1–151.4, 352–355; 463/39;
700/17, 19, 20, 65, 83; 701/2

See application file for complete search history.

(56) **References Cited**

U.S. PATENT DOCUMENTS

D326,261 S	5/1992	Ashmun
D346,152 S	4/1994	Zaugg
D350,736 S	9/1994	Takahashi
D352,930 S	11/1994	Tsuji
D366,876 S	2/1996	Labohm
D368,475 S	4/1996	Scott
D375,748 S	11/1996	Hartman

D419,556 S	1/2000	Haney	
D482,006 S *	11/2003	Stekelenburg D13/168
D493,149 S	7/2004	Murtaugh	
D493,150 S	7/2004	Murtaugh	
D502,929 S	3/2005	Copeland	
D506,982 S *	7/2005	Murtaugh et al. D13/168
D512,027 S	11/2005	Sarasjoki	
7,034,655 B2 *	4/2006	Magner et al. 340/5.54
D524,254 S *	7/2006	van Himbeeck D13/168
D524,383 S	7/2006	Yuen	
D529,467 S	10/2006	Rose	
D531,136 S *	10/2006	Schoenert et al. D13/168
D531,586 S *	11/2006	Poulet D13/168
D540,882 S *	4/2007	Crook D21/333

* cited by examiner

Primary Examiner—Selina Sikder

(74) *Attorney, Agent, or Firm*—Banner & Witcoff, Ltd.

(57) **CLAIM**

The ornamental design for an button configuration portion of an electronic controller, as shown and described.

DESCRIPTION

FIG. 1 is a top perspective view of an button configuration portion of an electronic controller showing our new design;

FIG. 2 is a top view thereof;

FIG. 3 is a right side view thereof;

FIG. 4 is a left side view thereof;

FIG. 5 is a front side view thereof; and,

FIG. 6 is a rear view thereof.

The broken line showing of the remainder of the controller is for illustrative purposes and forms no part of the claimed design.

1 Claim, 5 Drawing Sheets

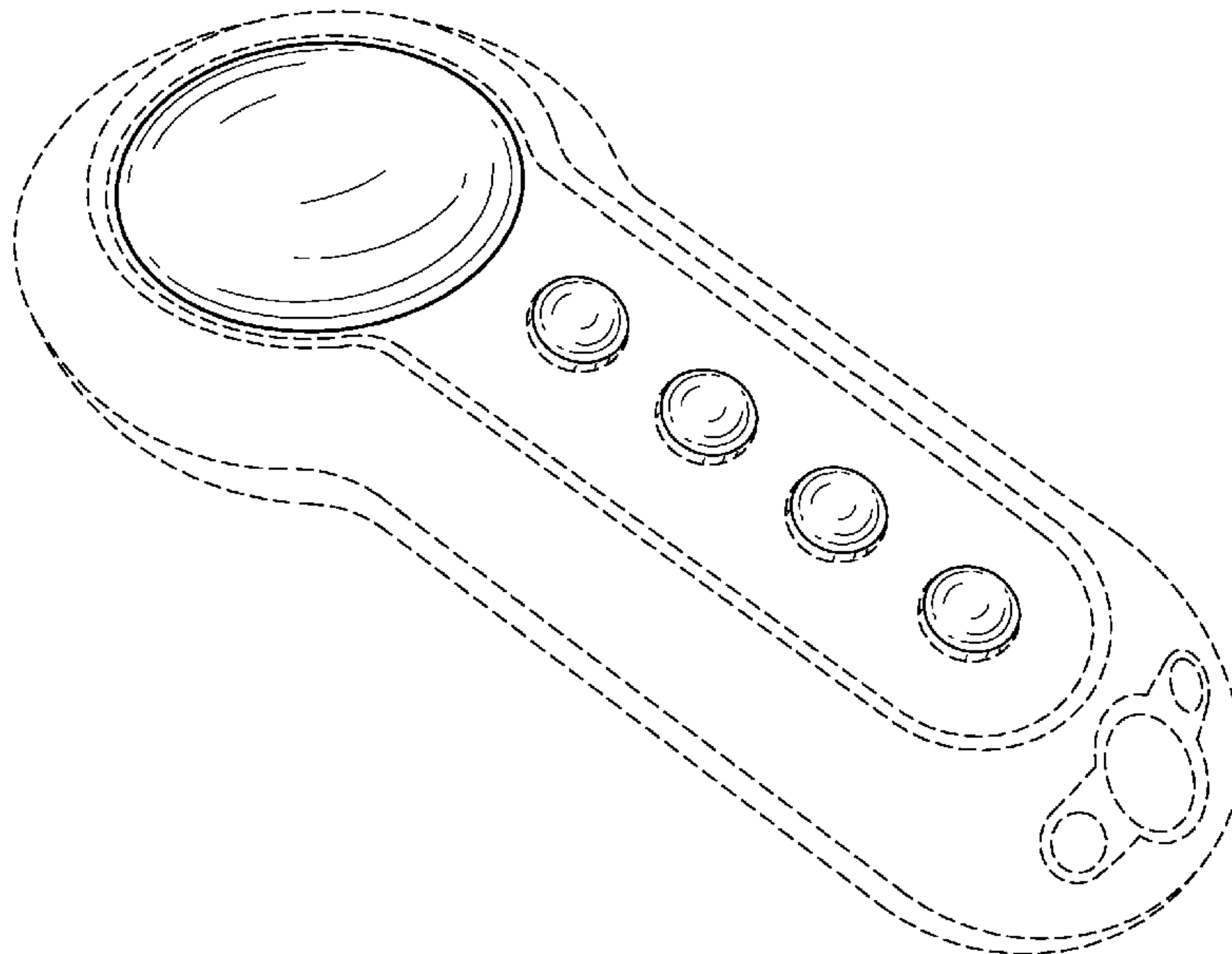


FIG. 1

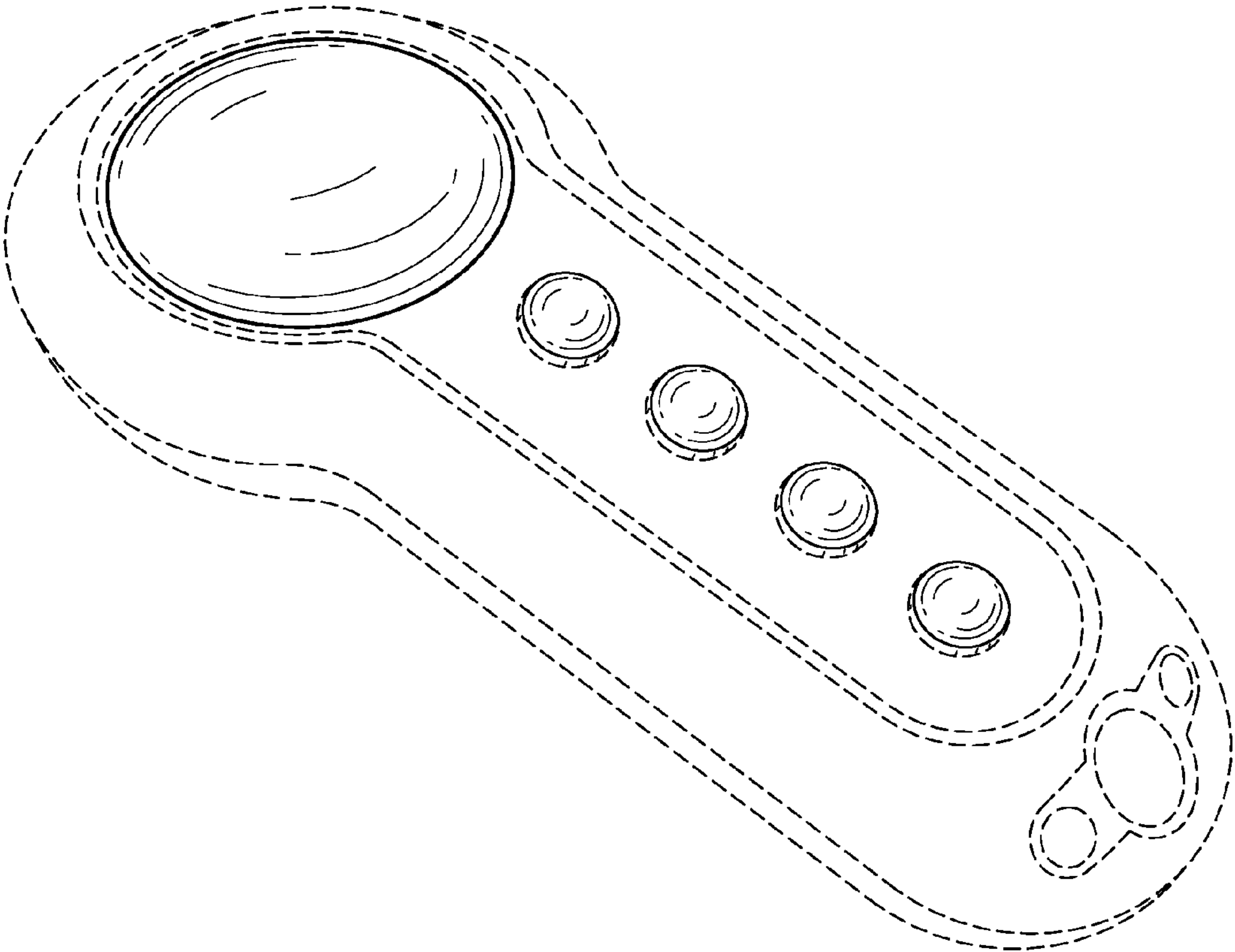


FIG. 2

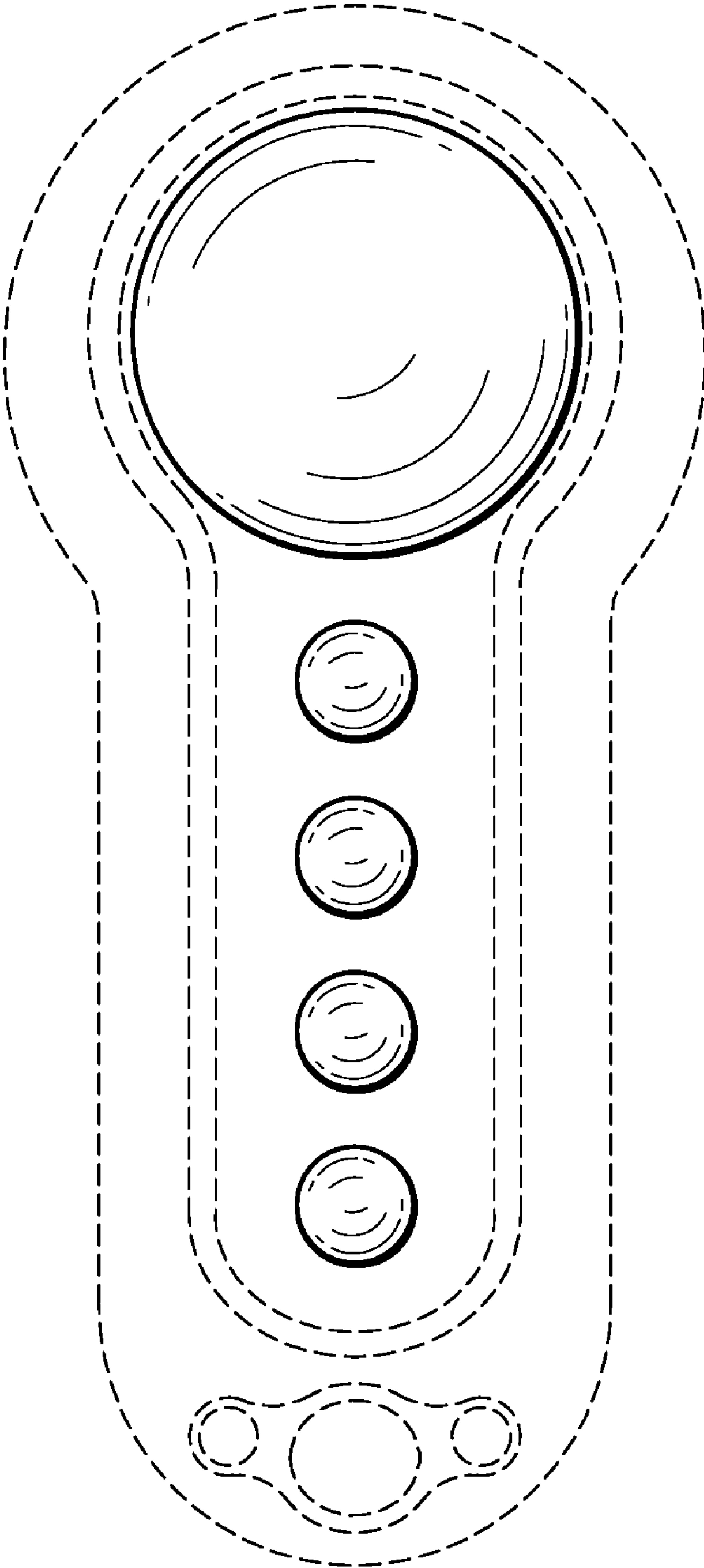


FIG. 3

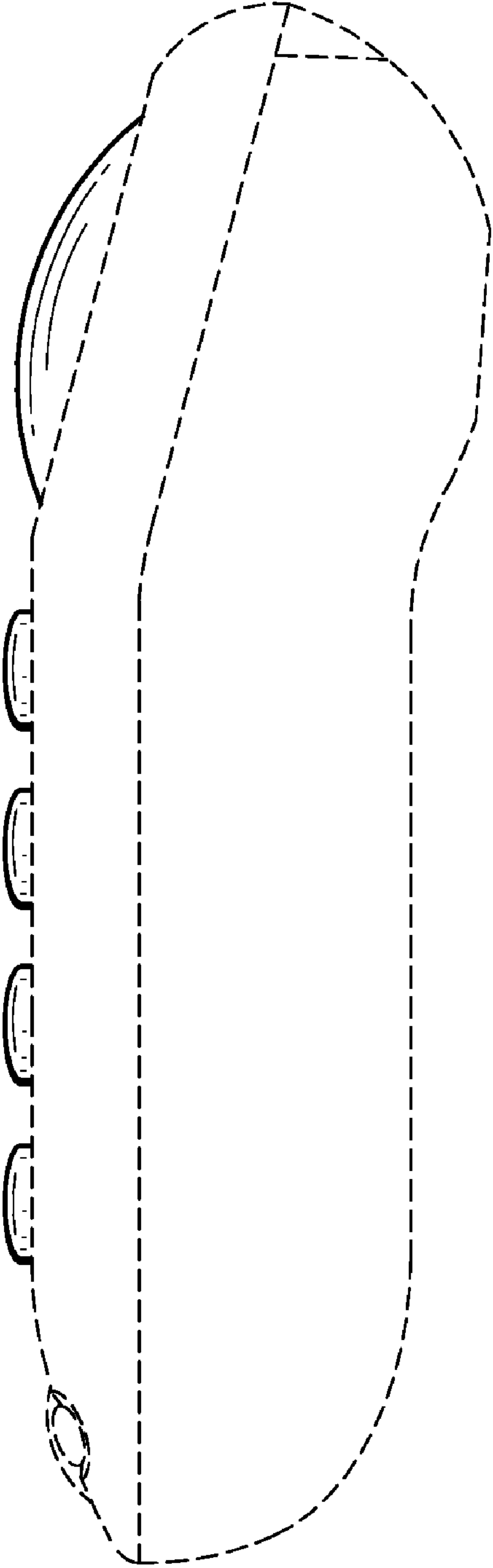


FIG. 4

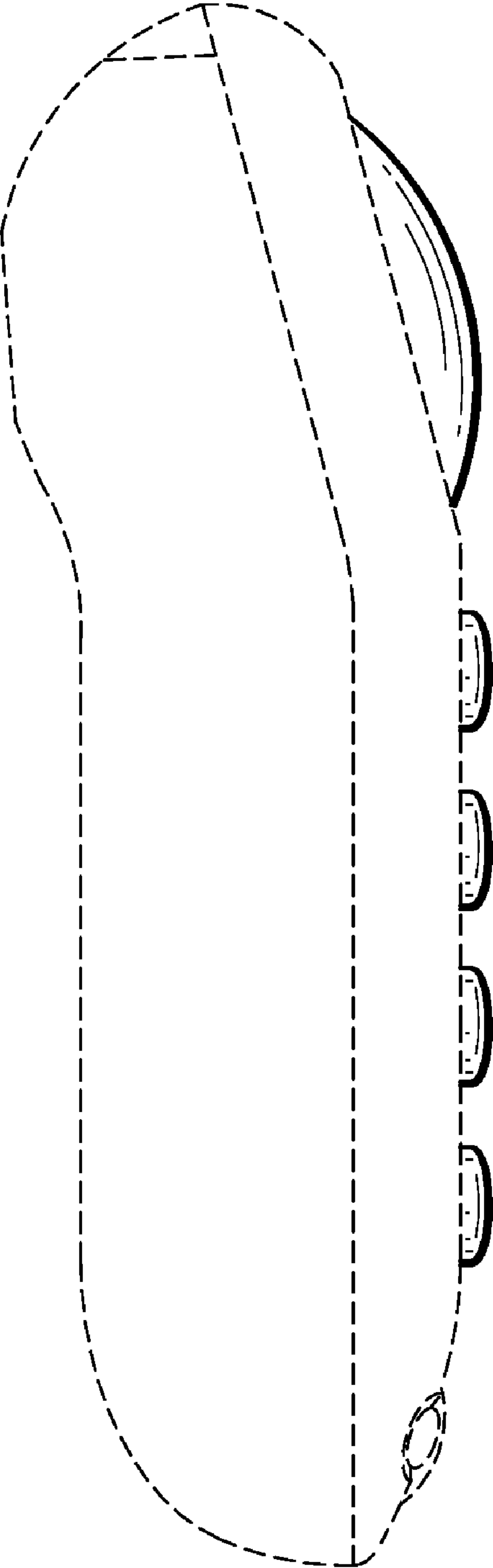


FIG. 5

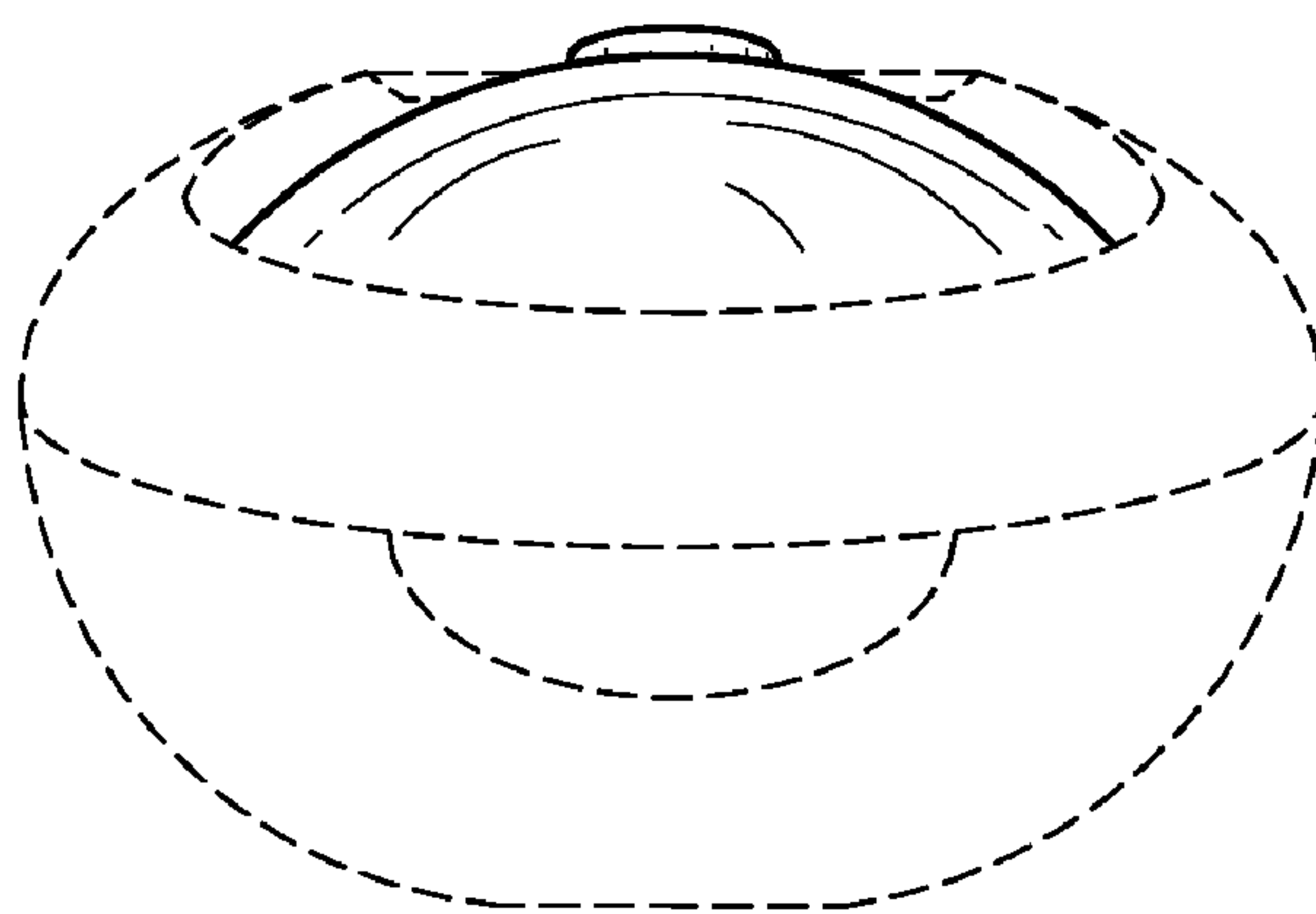


FIG. 6

