



US00D572205S

(12) **United States Design Patent**
Landerholm et al.

(10) **Patent No.:** **US D572,205 S**
(45) **Date of Patent:** **** Jul. 1, 2008**

(54) **HAND CONTROLLER**

7,142,256 B2 * 11/2006 Stoner et al. 348/734
2005/0143681 A1 * 6/2005 Brattesani et al. 601/72

* cited by examiner

(75) Inventors: **John Landerholm**, Aarhus C (DK);
Peter Boldsen Lund, Aarhus C (DK)

Primary Examiner—Selina Sikder
(74) *Attorney, Agent, or Firm*—Dykema Gossett PLLC

(73) Assignee: **Linak A/S**, Nordborg (DK)

(57) **CLAIM**

The ornamental design for a hand controller, as shown and described.

(**) Term: **14 Years**

(21) Appl. No.: **29/259,562**

(22) Filed: **May 11, 2006**

(30) **Foreign Application Priority Data**

Nov. 11, 2005 (DK) DA 2005 00329

(51) **LOC (8) Cl.** **13-03**

(52) **U.S. Cl.** **D13/168**

(58) **Field of Classification Search** D13/168;
D10/104, 106; D14/218, 247; 340/825.22,
340/825.24, 825.25, 825.31, 825.36, 825.69,
340/825.72; 341/20, 22, 23, 34, 176; 345/156,
345/158, 169; 348/734; 455/92, 95, 100,
455/128, 151.1–151.4, 352–355; 463/39;
700/17, 19, 20, 65, 83; 701/2

See application file for complete search history.

(56) **References Cited**

U.S. PATENT DOCUMENTS

D293,669 S * 1/1988 Ogilvie D13/168
D451,891 S * 12/2001 Noonan et al. D13/168
D496,633 S * 9/2004 Krause D13/168
D521,943 S * 5/2006 Betteridge D13/168
D524,254 S * 7/2006 van Himbeek D13/168

DESCRIPTION

FIG. 1 is a front elevational view of a first embodiment of a hand controller according to our design,

FIG. 2 is a rear elevational view thereof,

FIG. 3 is a right side elevational view thereof,

FIG. 4 is a left side elevational view thereof,

FIG. 5 is a top plan view thereof,

FIG. 6 is a bottom plan view thereof,

FIG. 7 is a front perspective view thereof, and

FIG. 8 is a rear perspective view thereof,

FIG. 9 is a front elevational view of a second embodiment of a hand controller according to our design,

FIG. 10 is a rear elevational view thereof,

FIG. 11 is a right side elevational view thereof,

FIG. 12 is a left side elevational view thereof,

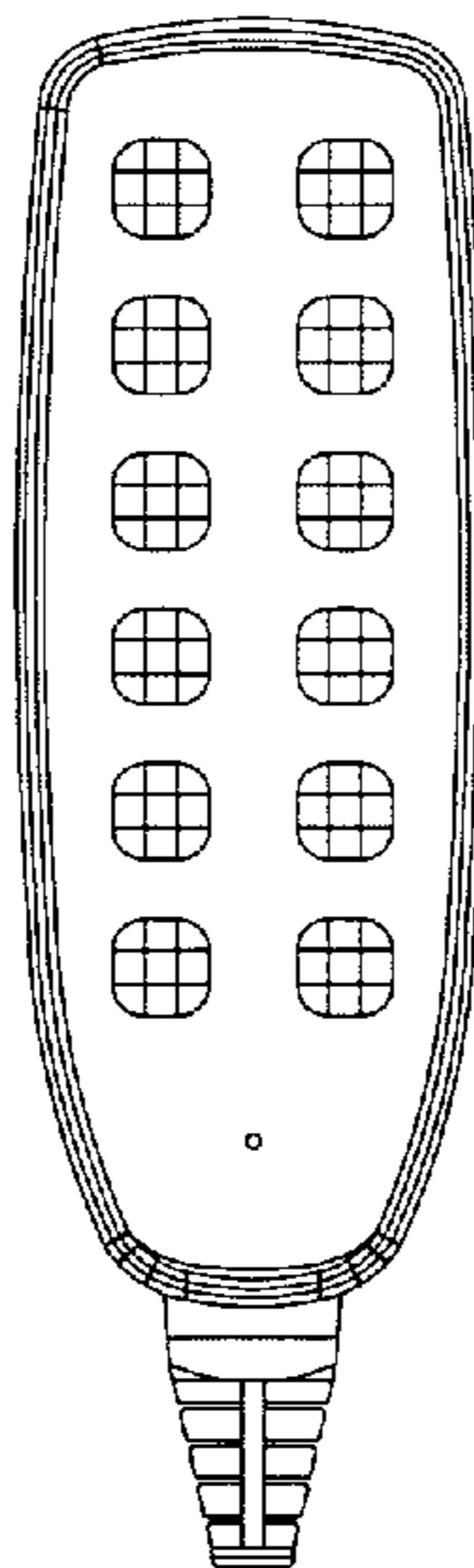
FIG. 13 is a top plan view thereof,

FIG. 14 is a bottom plan view thereof,

FIG. 15 is a front perspective view thereof; and,

FIG. 16 is a rear perspective view thereof.

1 Claim, 2 Drawing Sheets



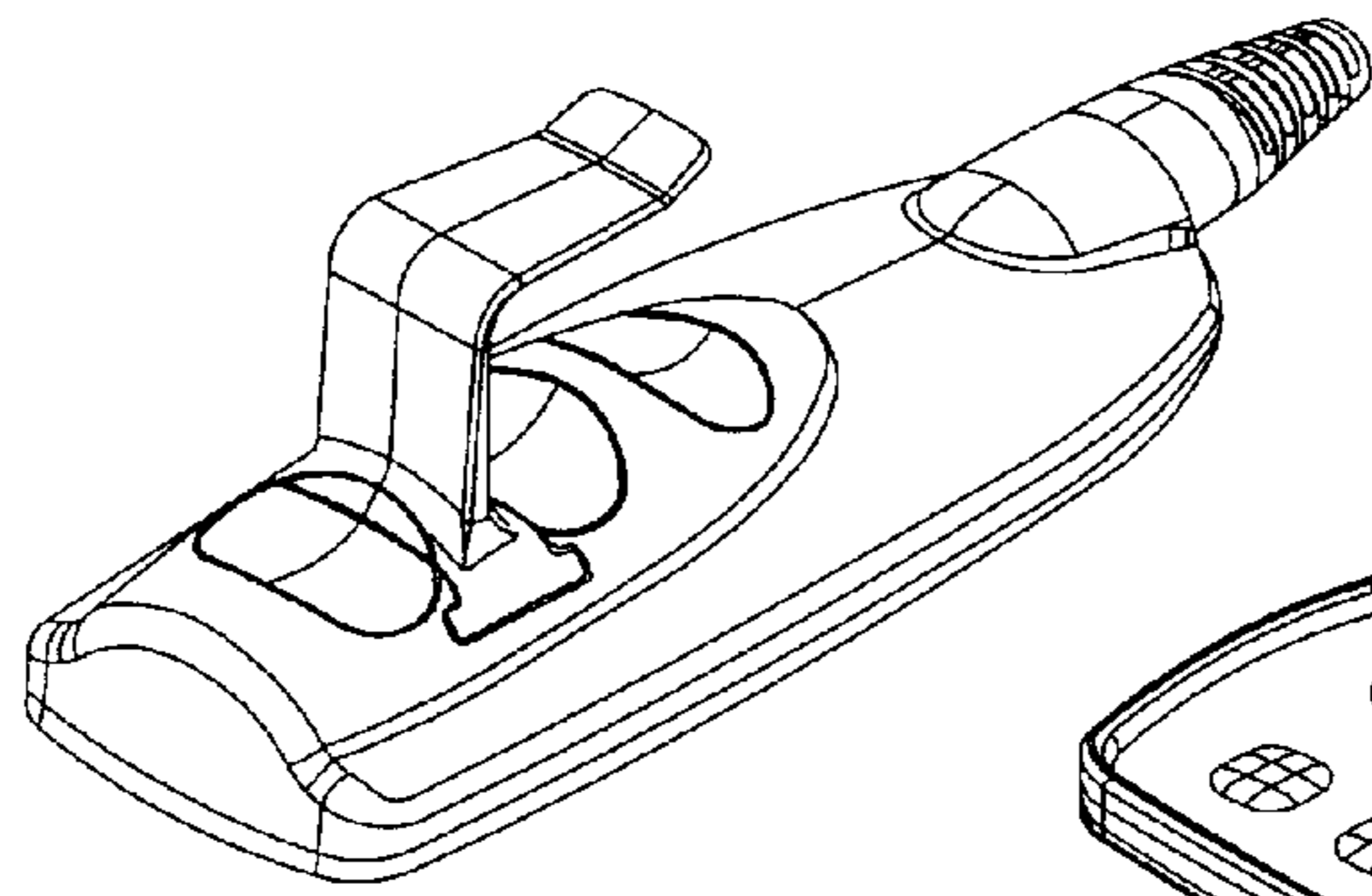


FIG. 8

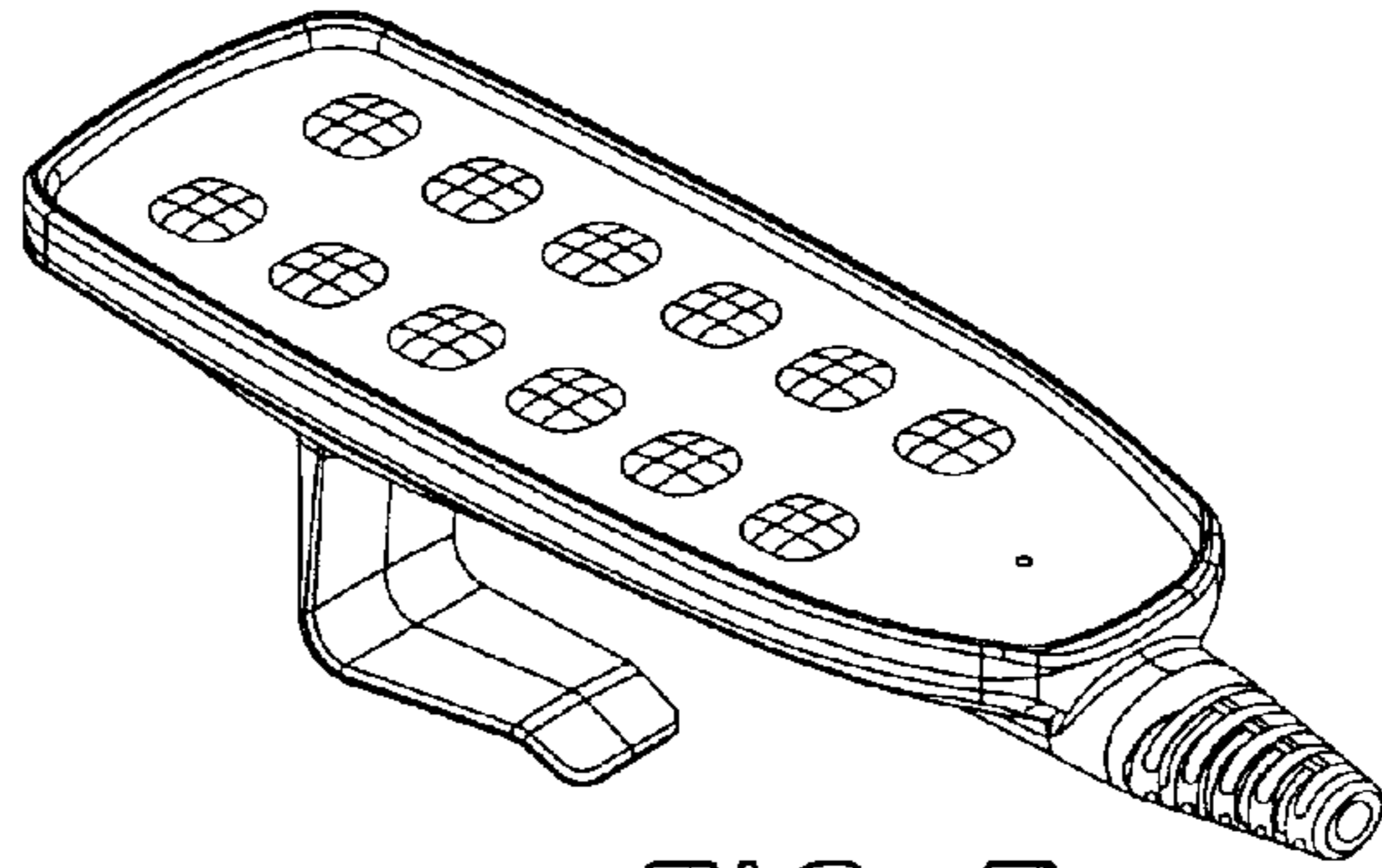


FIG. 7

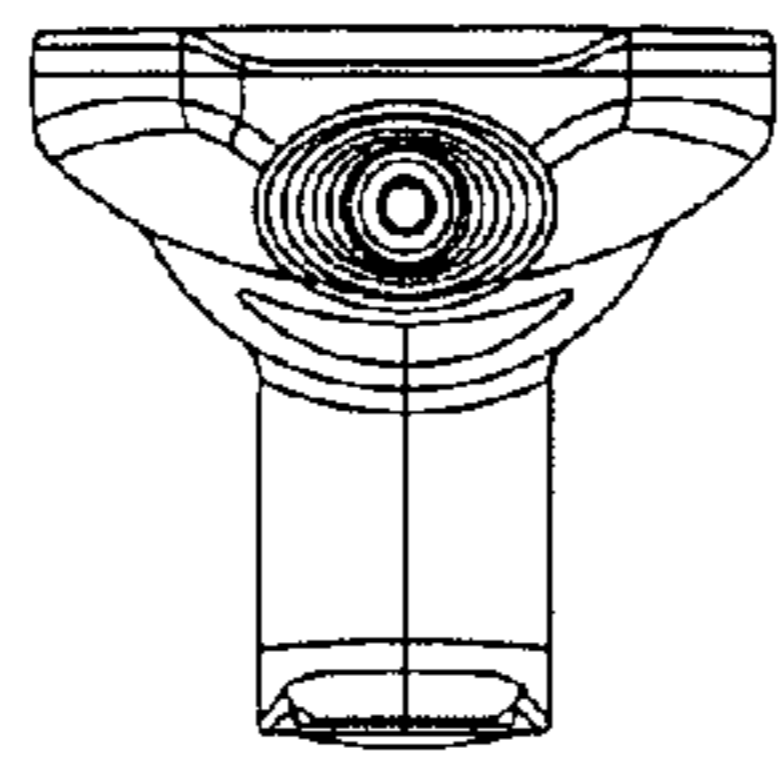


FIG. 6

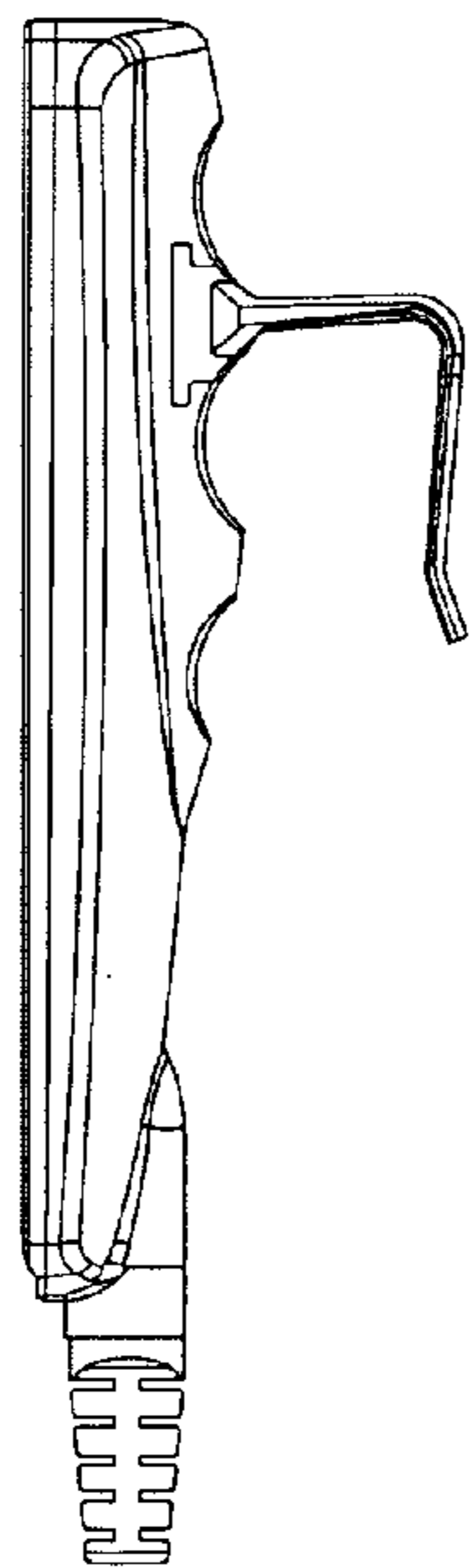


FIG. 4

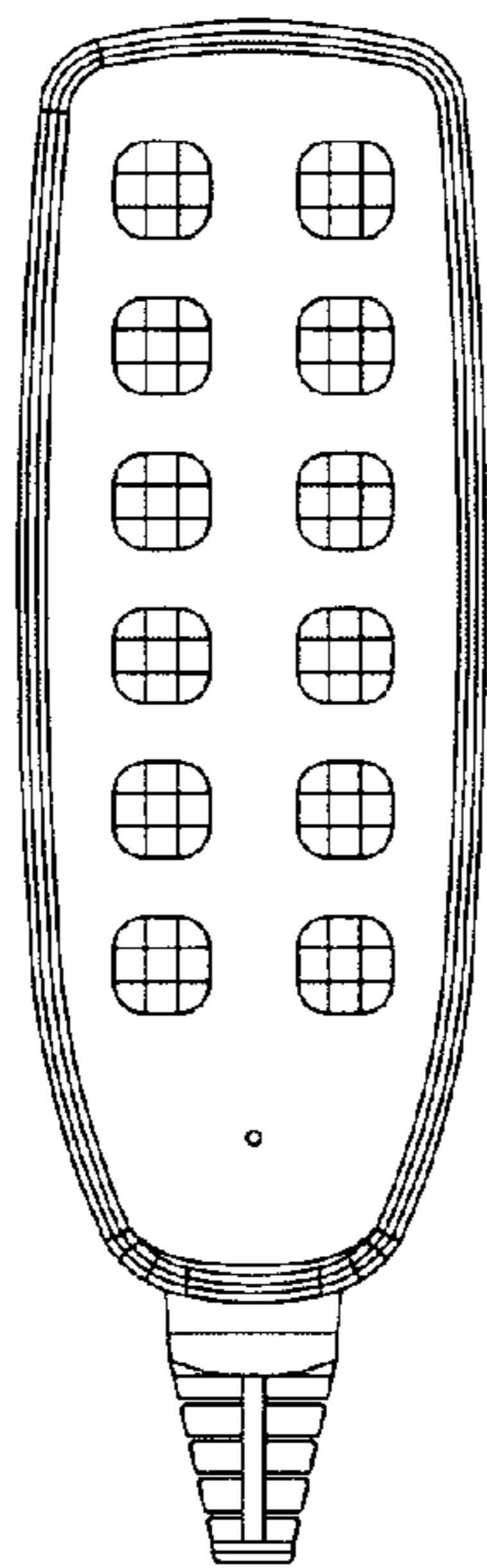


FIG. 1

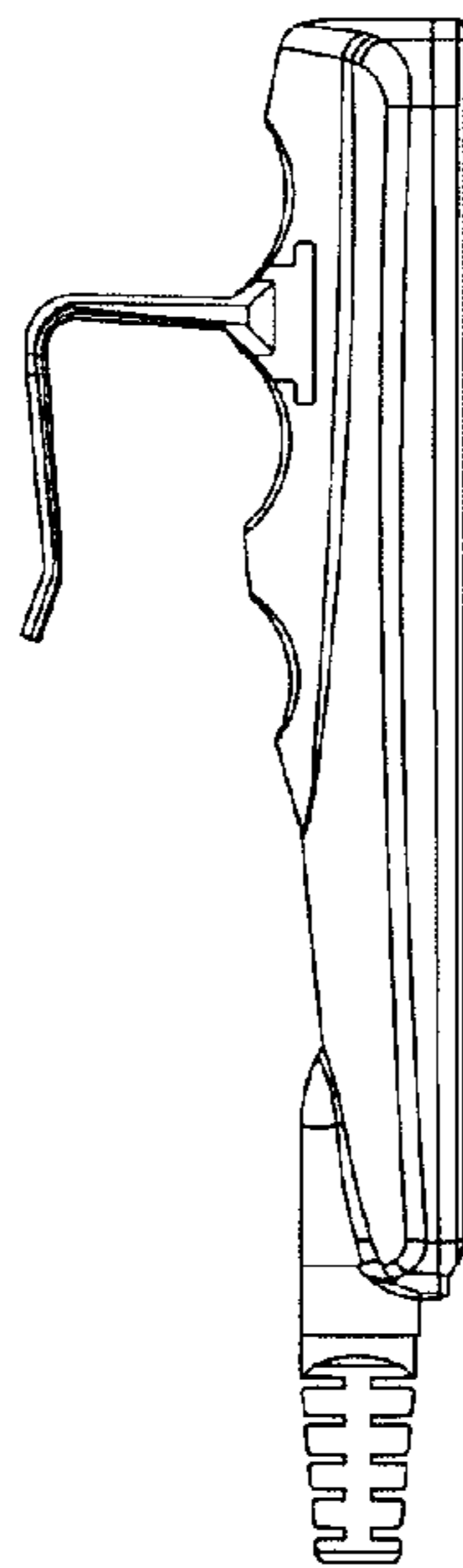


FIG. 3

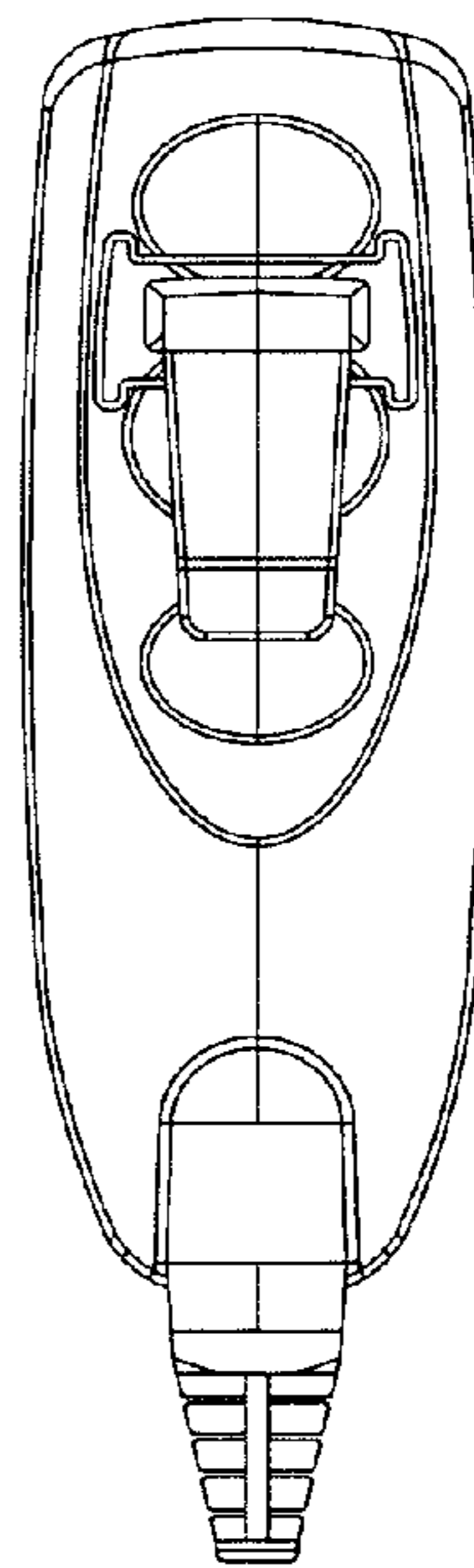


FIG. 2

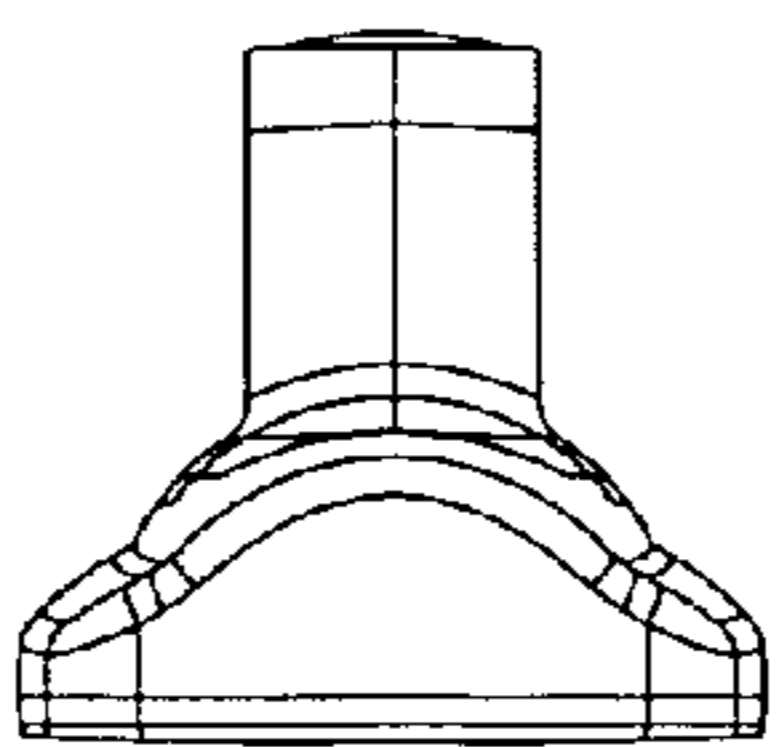


FIG. 5

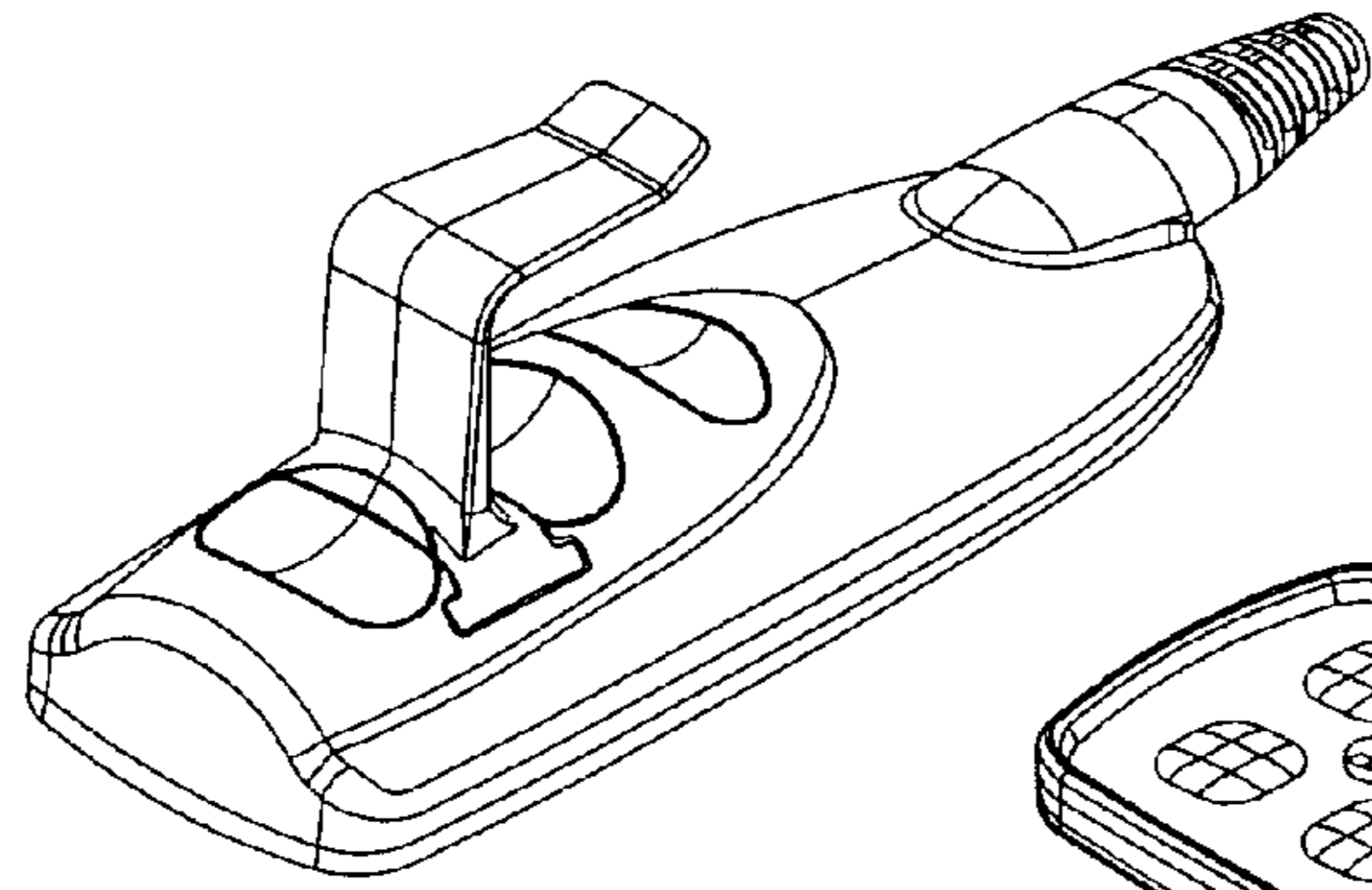


FIG. 16

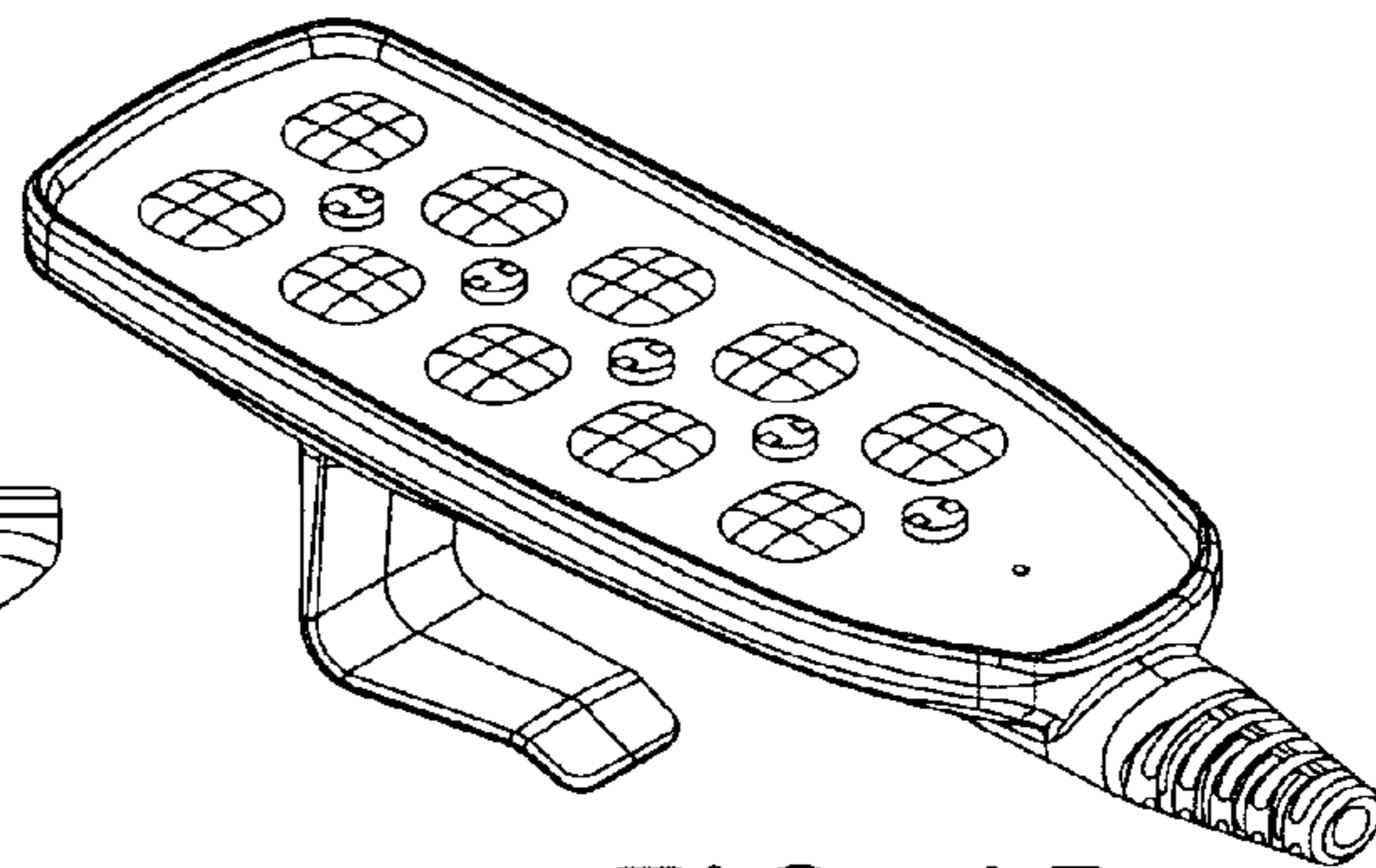


FIG. 15

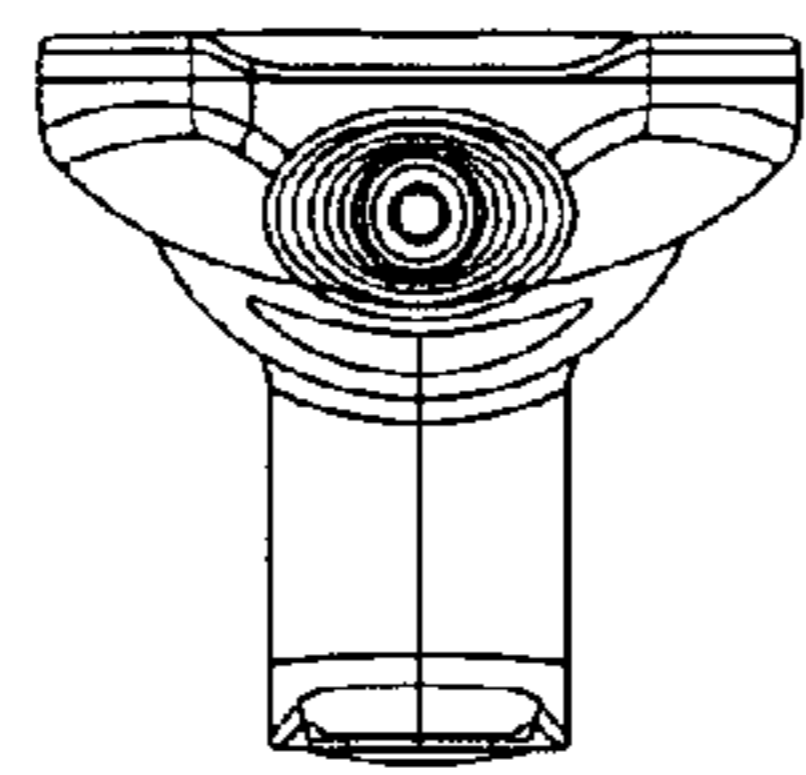


FIG. 14

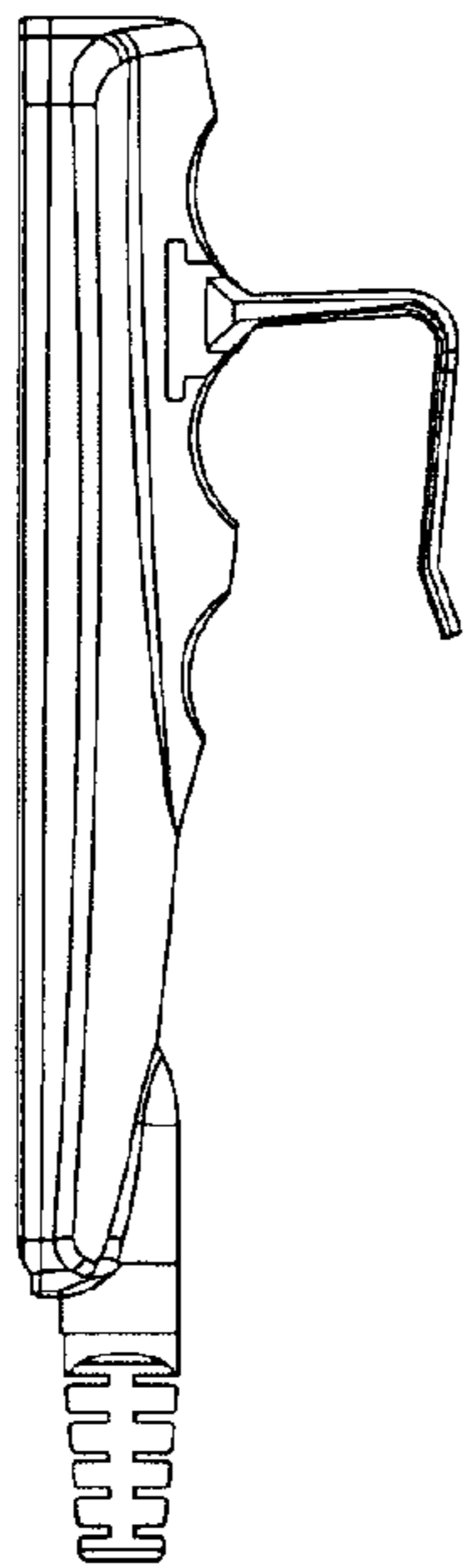


FIG. 12

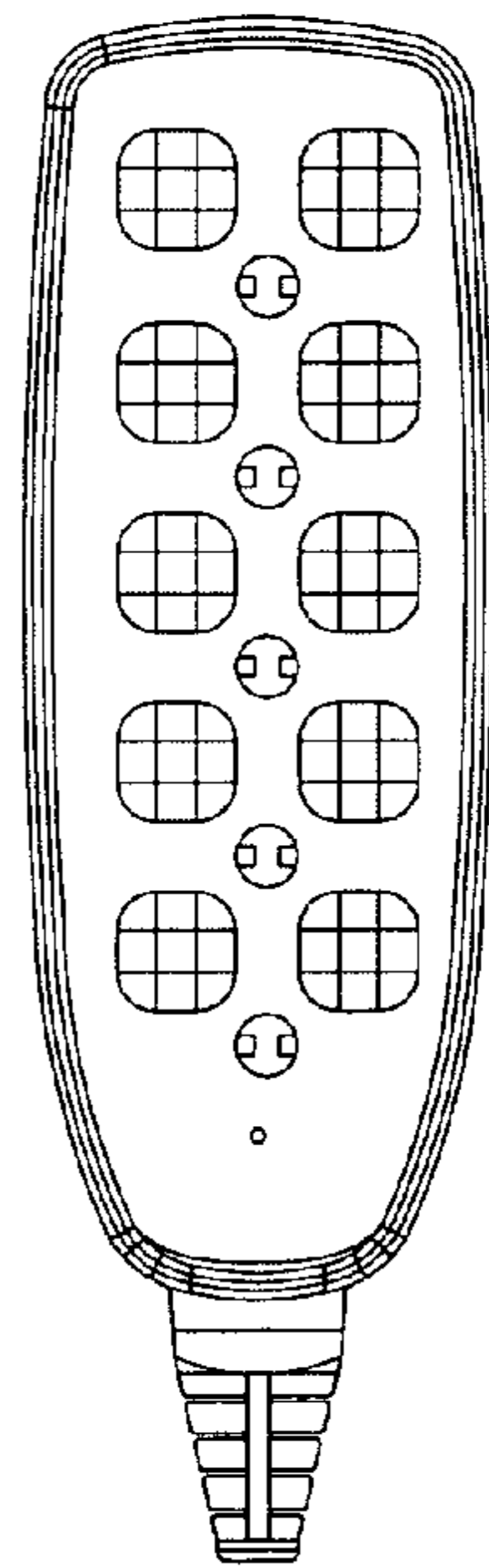


FIG. 9

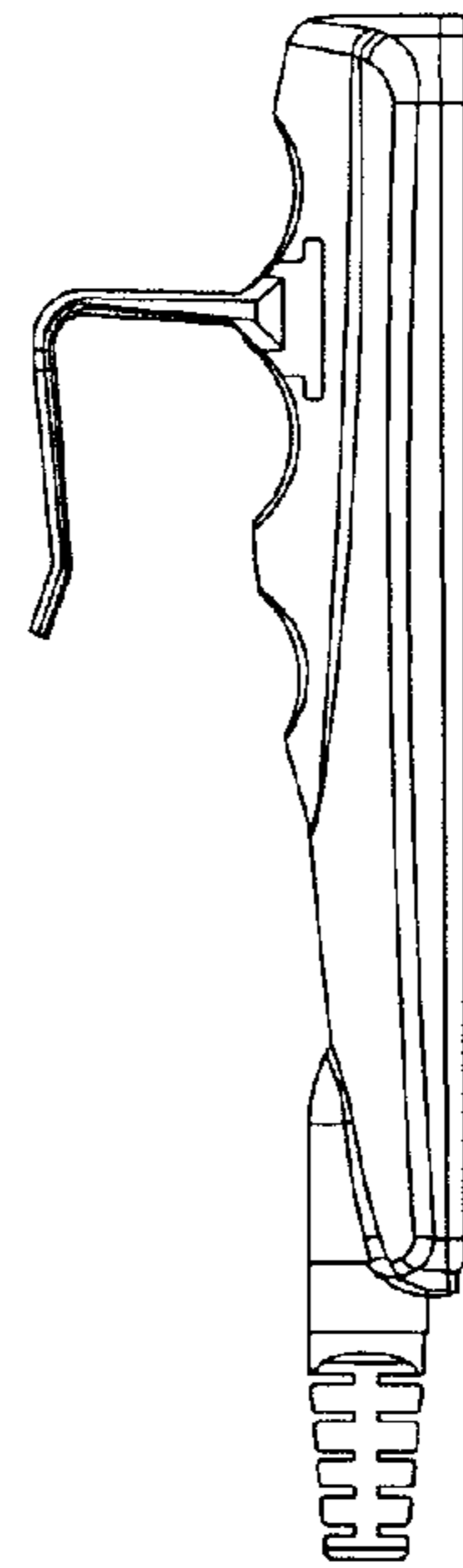


FIG. 11

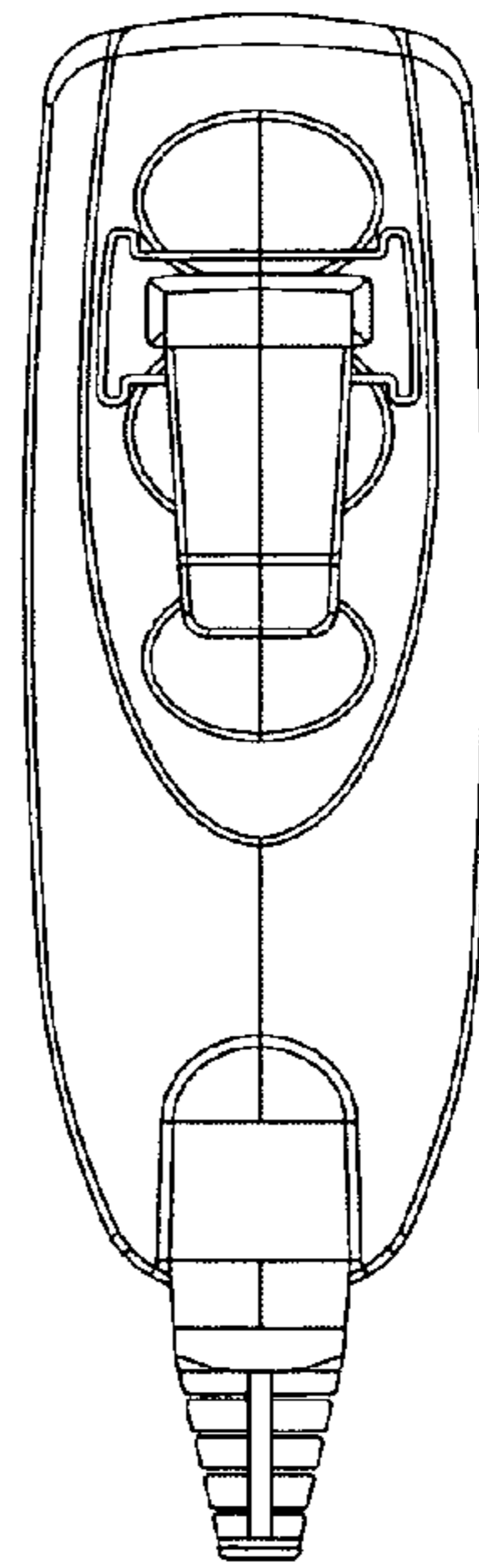


FIG. 10

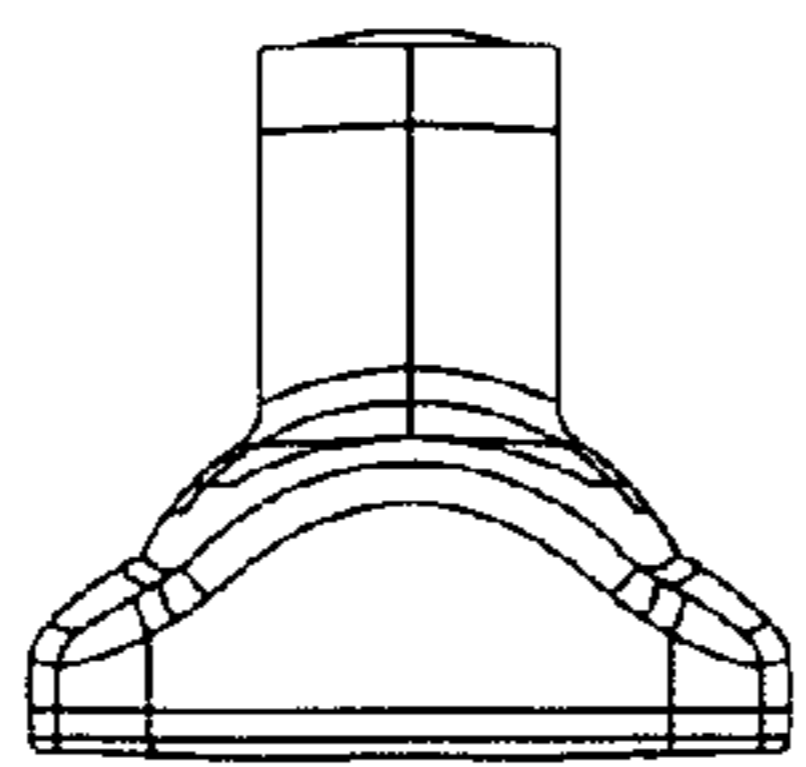


FIG. 13