



US00D572204S

(12) **United States Design Patent**
Tkaczewski et al.

(10) **Patent No.:** **US D572,204 S**
(45) **Date of Patent:** **** Jul. 1, 2008**

(54) **PASSIVE CCTV/GLI HUB**

(75) Inventors: **Zbigniew Antoni Tkaczewski**,
Notre-Dame de l'île Perrot (CA); **Marc Bohbot**,
Cote Saint-Luc (CA); **Daniel Assaraf**,
Cote Saint-Luc (CA); **Jeffrey Herman**,
Montreal (CA)

(73) Assignee: **Muxlab Inc.**, Saint-Laurent, Quebec
(CA)

(**) Term: **14 Years**

(21) Appl. No.: **29/298,759**

(22) Filed: **Dec. 12, 2007**

(51) **LOC (8) Cl.** **13-03**

(52) **U.S. Cl.** **D13/164**

(58) **Field of Classification Search** D13/158,
D13/160, 162, 164, 152, 146, 147, 123; D14/256,
D14/109, 240, 100; 439/535, 696; 174/50,
174/52.1, 53; 361/119, 600, 601, 622, 625,
361/686

See application file for complete search history.

(56) **References Cited**

U.S. PATENT DOCUMENTS

D287,243 S * 12/1986 Tope D13/164
D287,244 S * 12/1986 Tope D13/164
D380,447 S * 7/1997 Chen et al. D13/164

D384,644 S * 10/1997 Chung D13/147
D418,481 S * 1/2000 Lin D13/152
D421,964 S * 3/2000 Nagasawa et al. D13/147
D452,475 S * 12/2001 Reynolds D13/110
D461,453 S * 8/2002 Chen D13/147
D503,384 S * 3/2005 Weatherley D13/147

* cited by examiner

Primary Examiner—Daniel Bui

Assistant Examiner—Thomas J Johannes

(74) *Attorney, Agent, or Firm*—Fasken Martineau DuMoulin;
Alexandre Abecassis

(57) **CLAIM**

The ornamental design for a passive CCTV/GLI hub, as shown and described.

DESCRIPTION

FIG. 1 is a front perspective view of a passive CCTV/GLI hub showing our new design invention;

FIG. 2 is a rear perspective view thereof;

FIG. 3 is a front elevation view thereof;

FIG. 4 is a rear elevation view thereof;

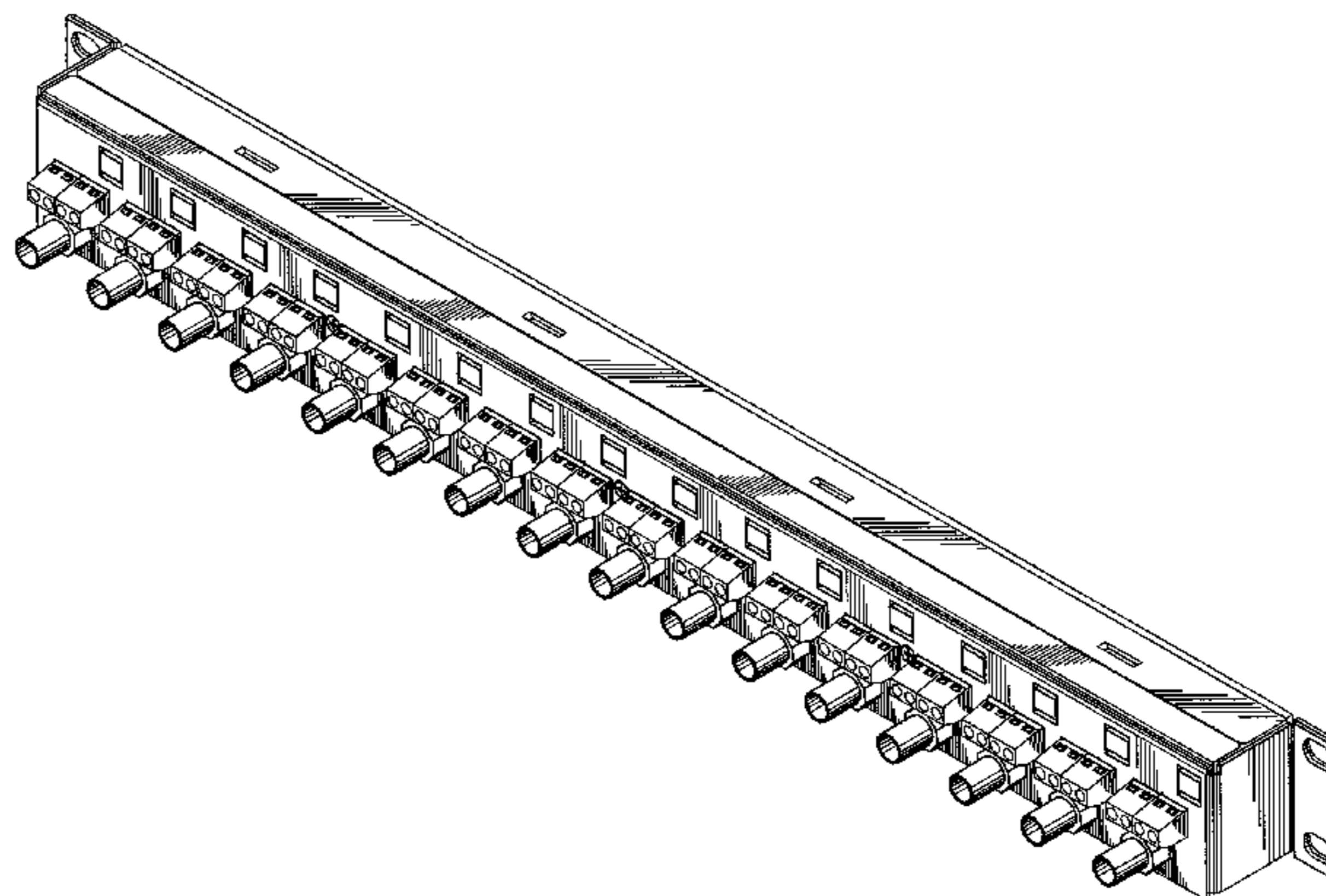
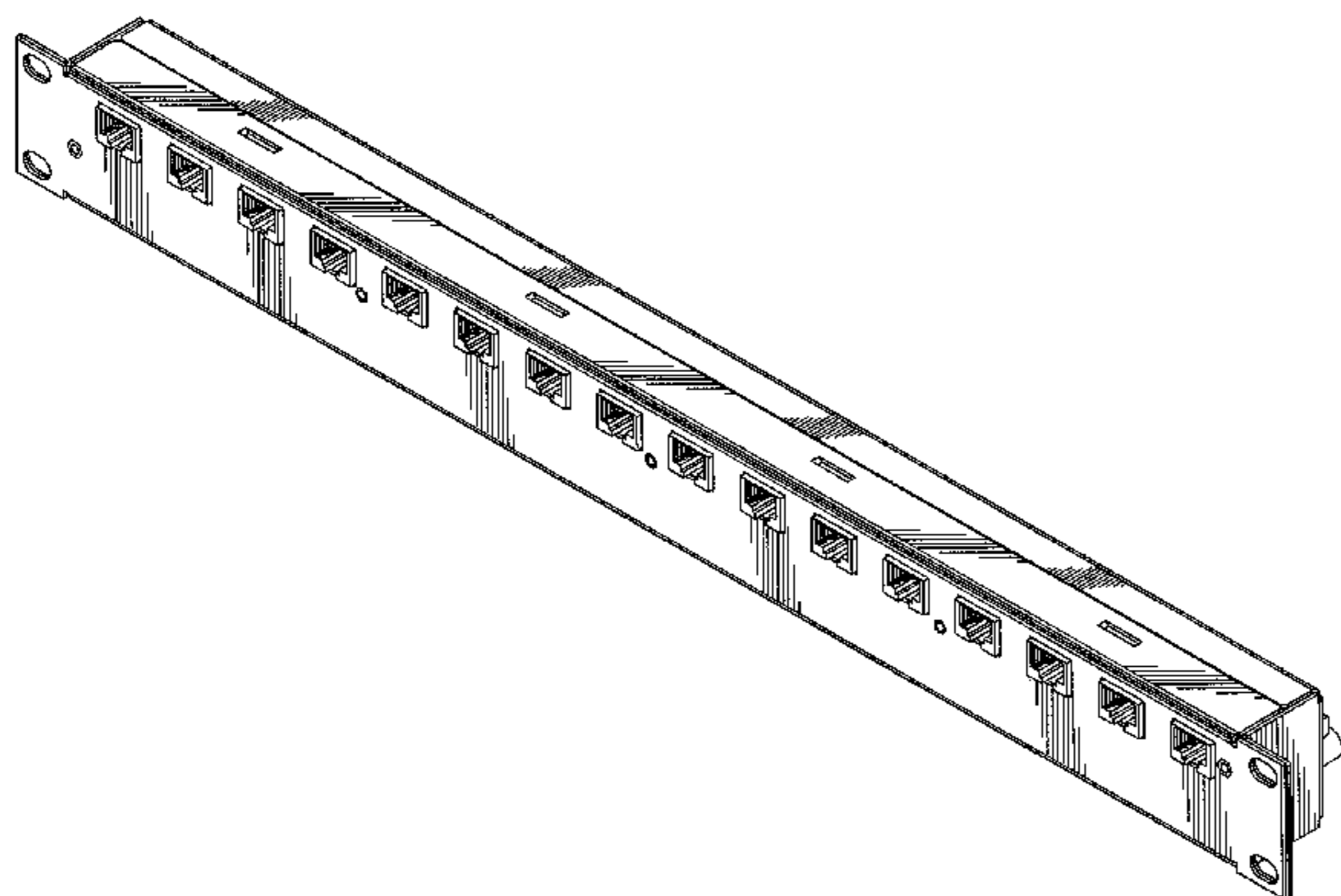
FIG. 5 is a bottom plan view thereof;

FIG. 6 is a top plan view thereof;

FIG. 7 is a right side elevation view thereof; and,

FIG. 8 is a left side elevation view thereof.

1 Claim, 5 Drawing Sheets



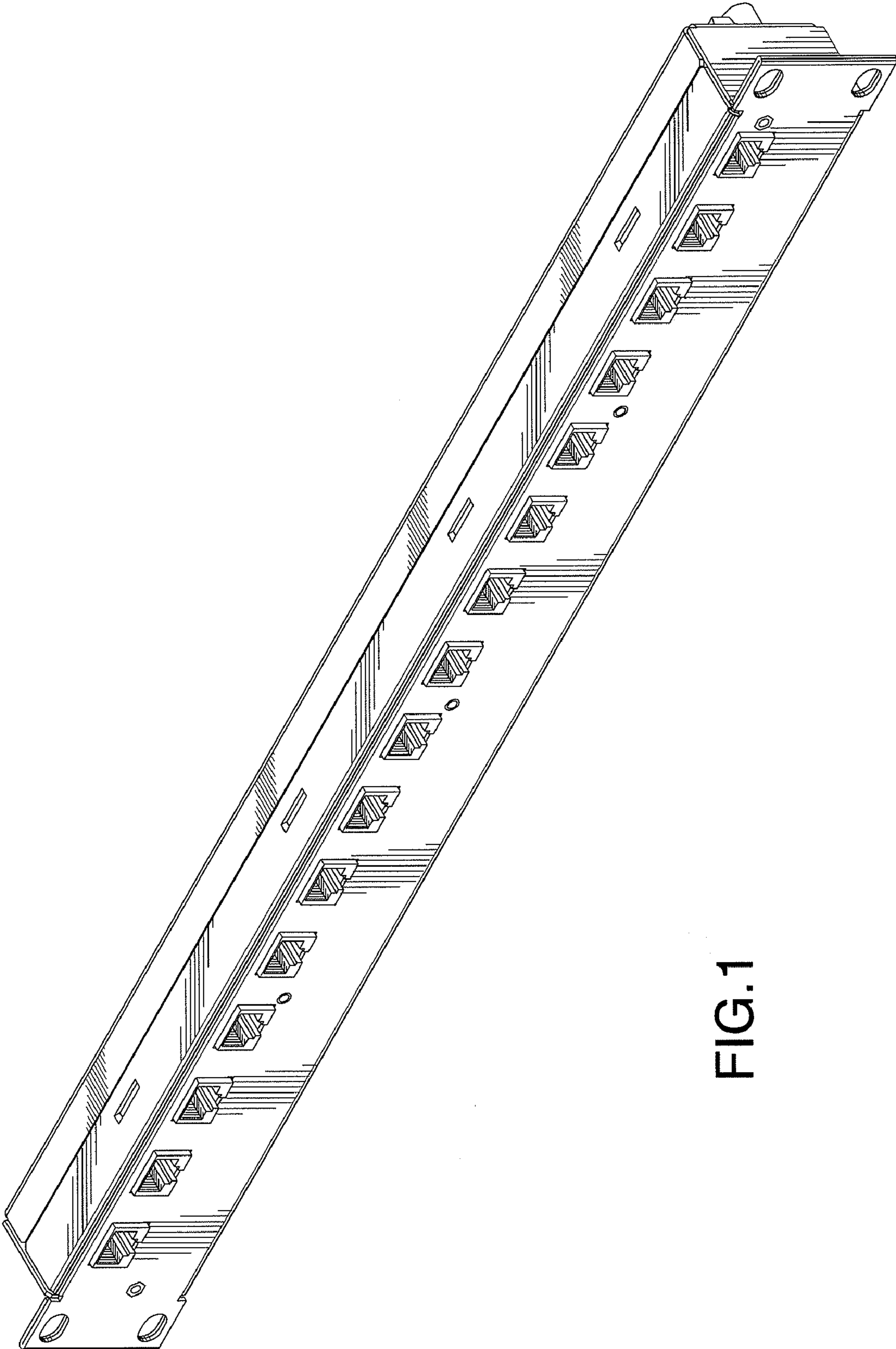


FIG.1

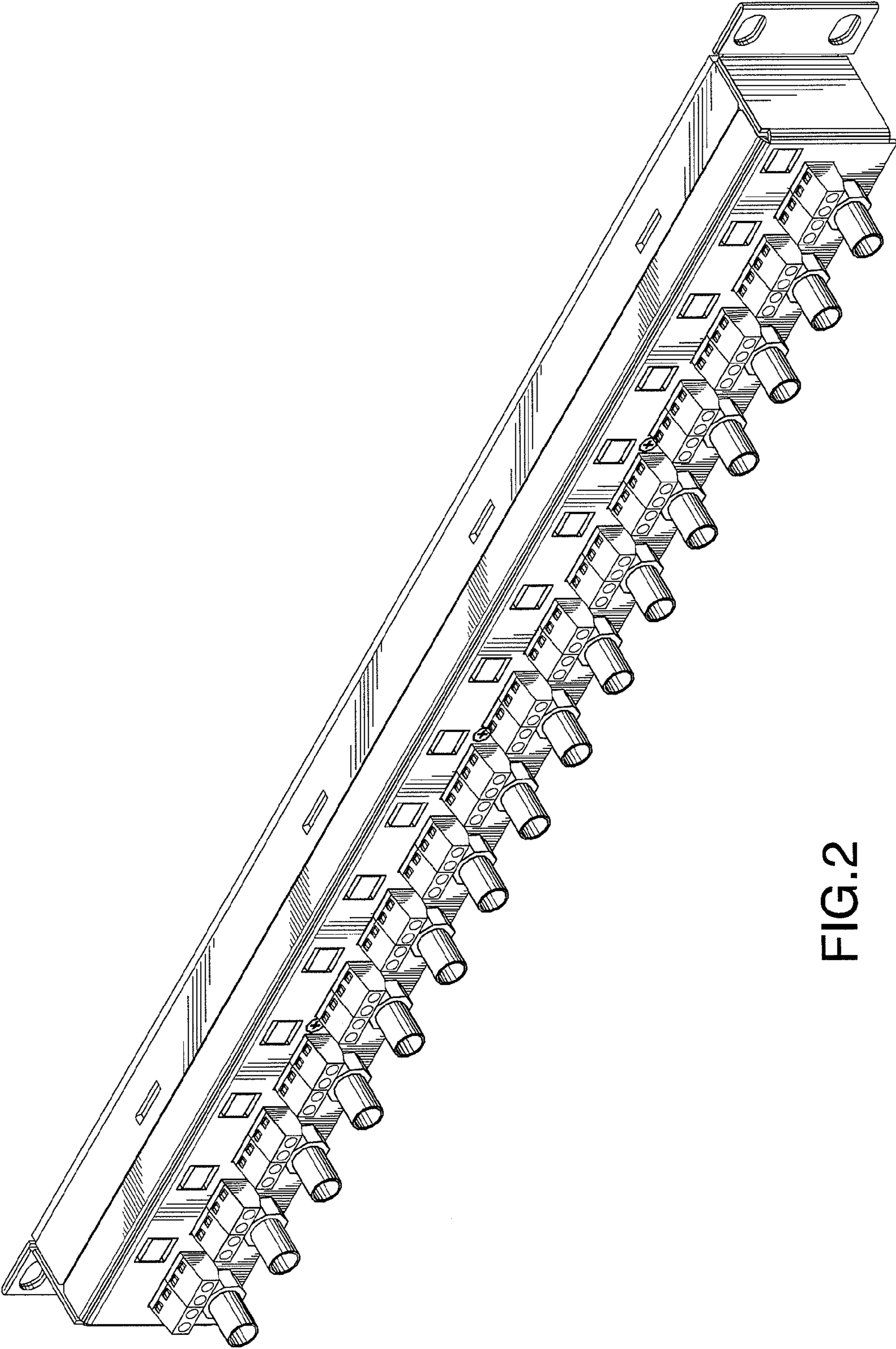


FIG.2

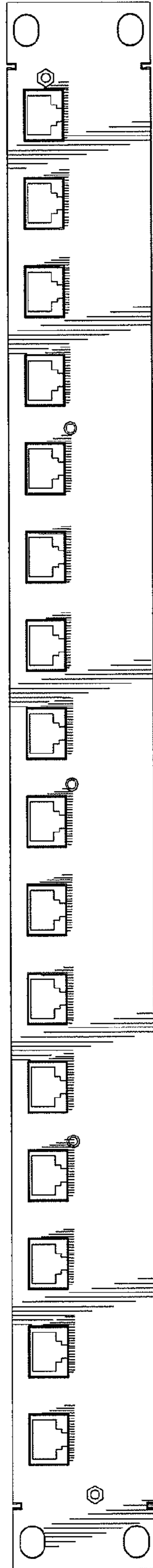


FIG. 3

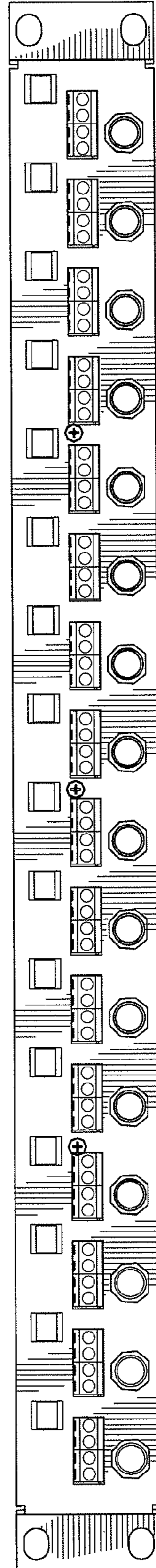


FIG. 4

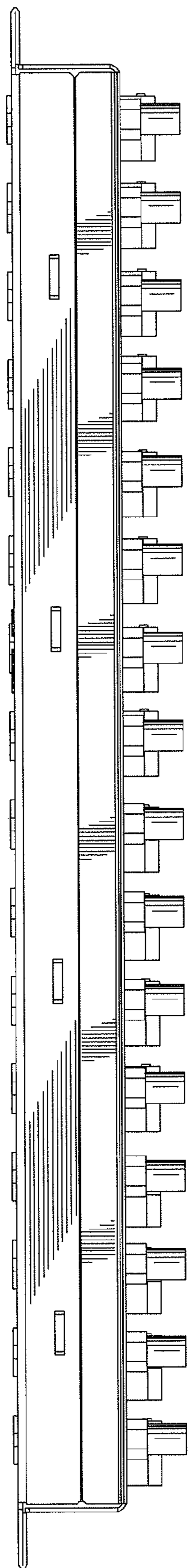


FIG. 5

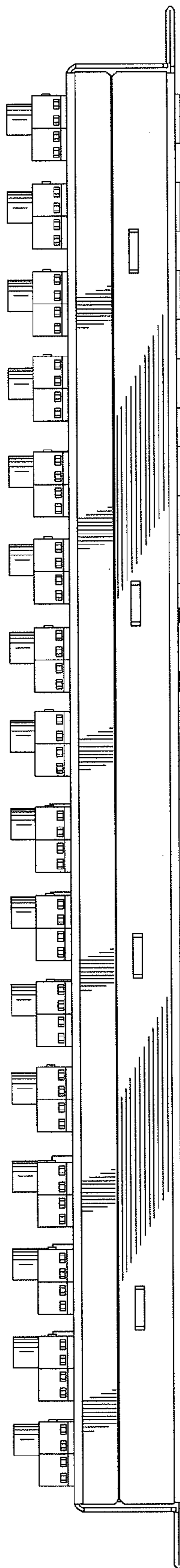


FIG. 6

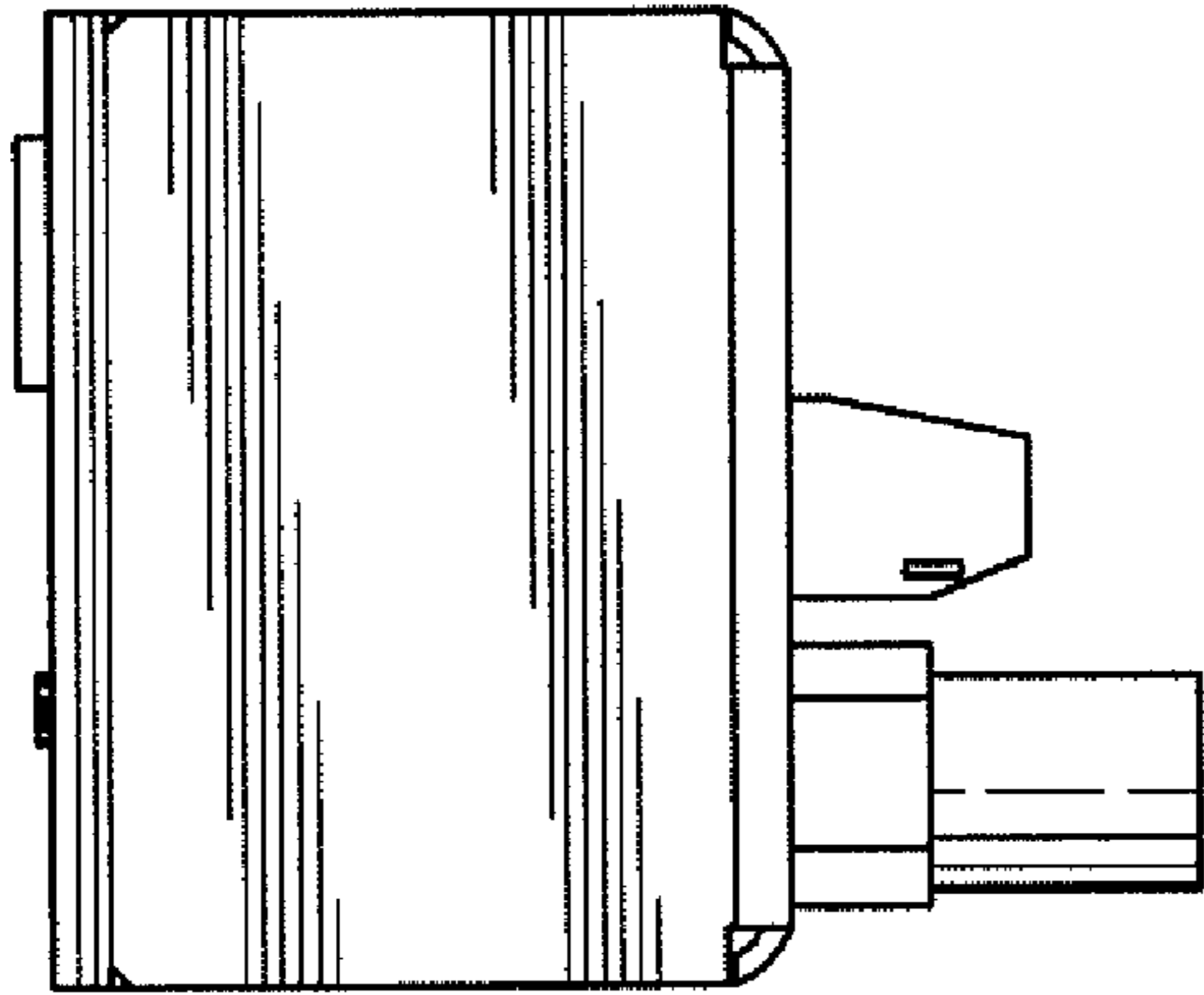


FIG.7

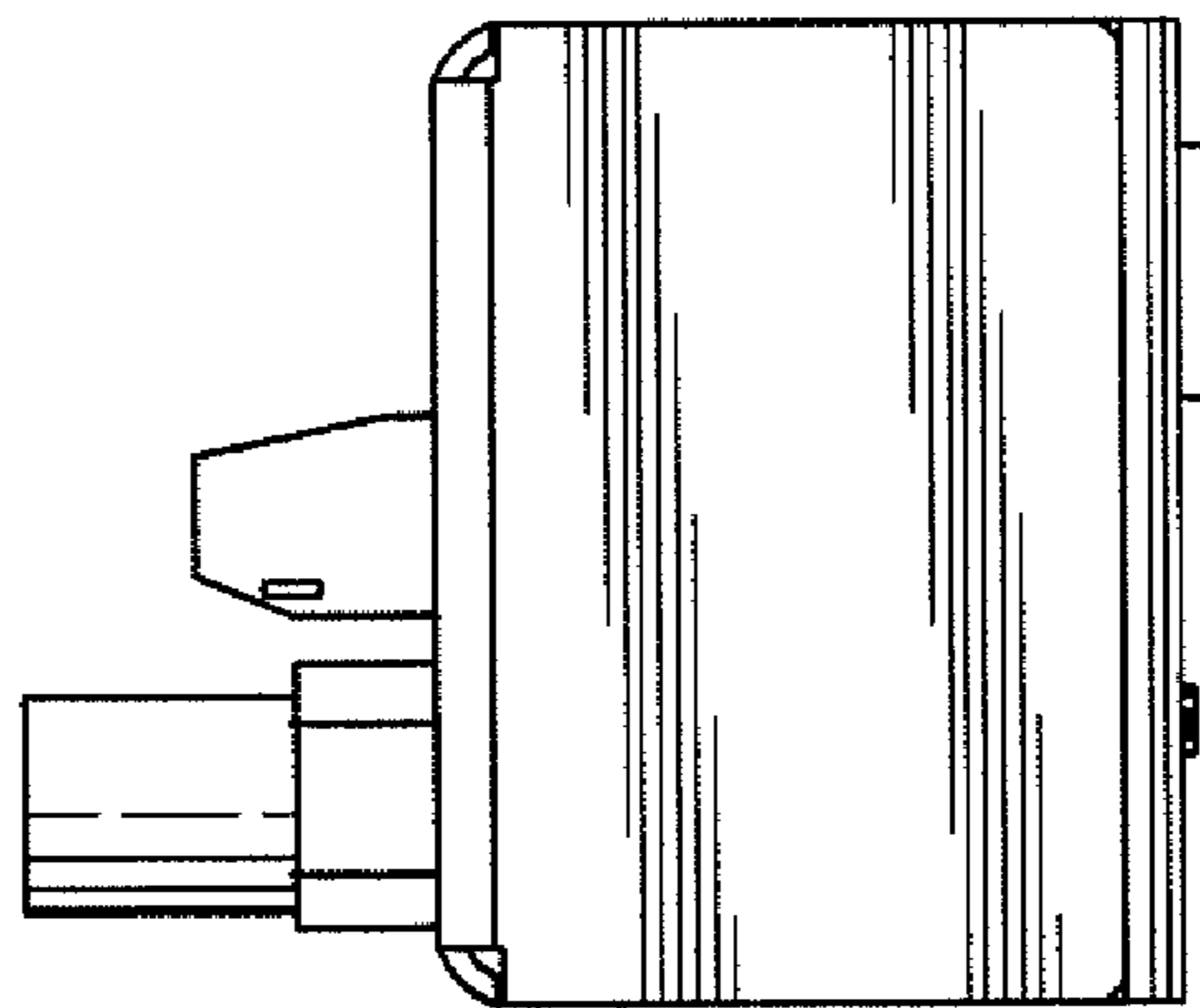


FIG.8