



US00D572197S

(12) **United States Design Patent**  
**Chawgo et al.**

(10) **Patent No.:** **US D572,197 S**  
(45) **Date of Patent:** **\*\* Jul. 1, 2008**

(54) **CLOSED COMPRESSION-TYPE COAXIAL CABLE CONNECTOR**

(75) Inventors: **Shawn Chawgo**, Cicero, NY (US);  
**Noah Montena**, Syracuse, NY (US)

(73) Assignee: **John Mezzalingua Assoc., Inc.**, East  
Syracuse, NY (US)

(\*\*) Term: **14 Years**

(21) Appl. No.: **29/277,038**

(22) Filed: **Feb. 12, 2007**

(51) **LOC (8) Cl.** ..... **13-03**

(52) **U.S. Cl.** ..... **D13/154**; D13/133; D13/151

(58) **Field of Classification Search** ..... D13/133,  
D13/151, 154, 184, 199; 174/75 C; 439/246,  
439/252, 306, 476.1, 578, 580, 583, 584,  
439/585, 805

See application file for complete search history.

(56) **References Cited**

**U.S. PATENT DOCUMENTS**

D233,991 S *	12/1974	Smith et al. ....	D13/151
D436,076 S *	1/2001	Montena .....	D13/133
D437,826 S *	2/2001	Montena .....	D13/133
D440,539 S *	4/2001	Montena .....	D13/133
D440,939 S *	4/2001	Montena .....	D13/133
D475,975 S *	6/2003	Fox .....	D13/151
D475,976 S	6/2003	Montena	

D505,391 S *	5/2005	Rodrigues et al. ....	D13/151
D513,736 S	1/2006	Fox	
D515,037 S	2/2006	Fox	
D518,772 S *	4/2006	Fox .....	D13/133
D519,451 S	4/2006	Fox	
D521,930 S	5/2006	Fox	
D535,259 S *	1/2007	Rodrigues et al. ....	D13/151
D561,691 S *	2/2008	Holliday .....	D13/133
2008/0064259 A1 *	3/2008	Amidon .....	439/578

\* cited by examiner

*Primary Examiner*—Daniel D Bui

(74) *Attorney, Agent, or Firm*—Melissa Bitting

(57) **CLAIM**

The ornamental design for a closed compression-type coaxial cable connector, as shown and described.

**DESCRIPTION**

FIG. 1 is a perspective view of a closed compression-type coaxial cable connector, in a closed position, showing our new design;

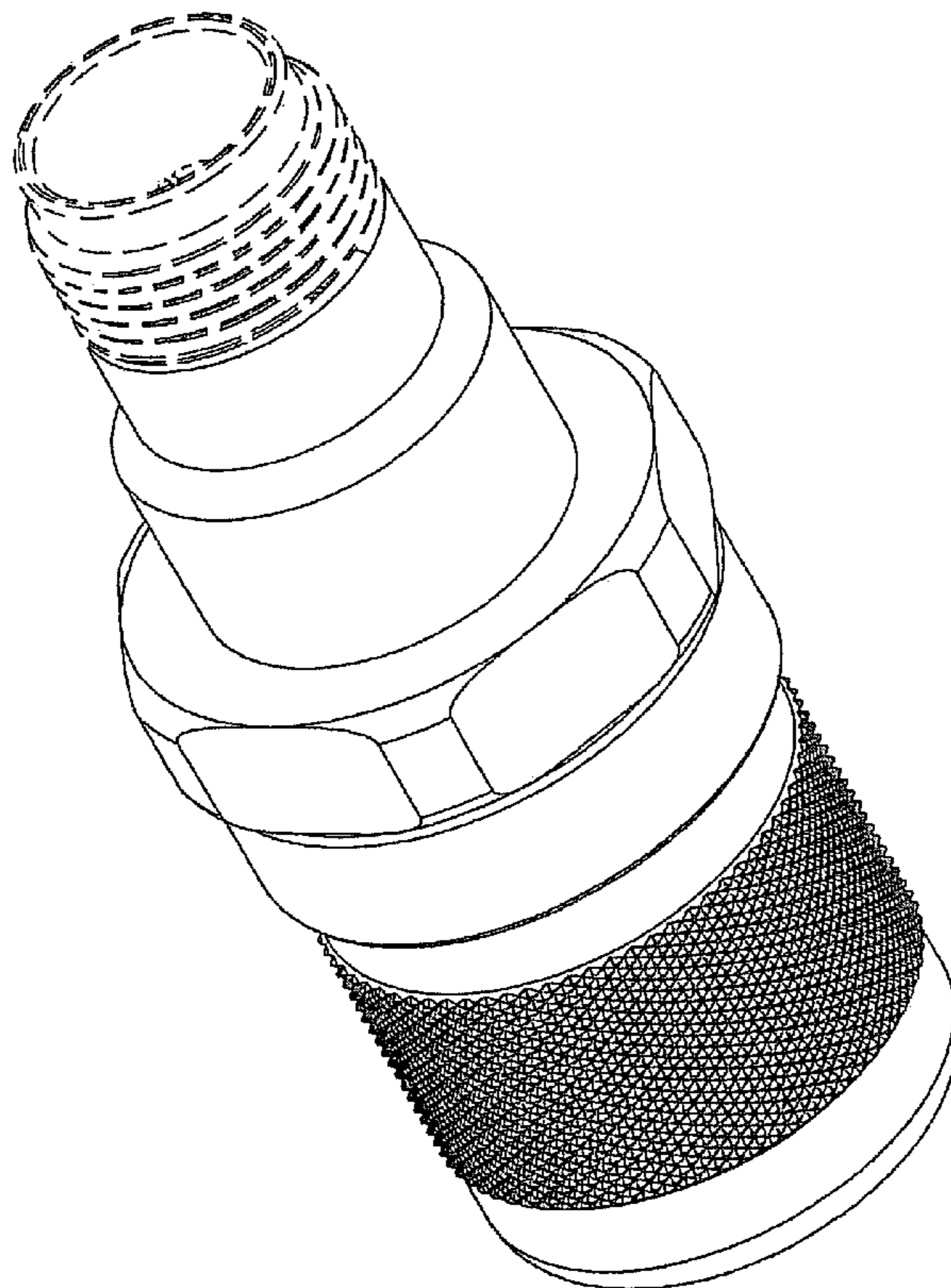
FIG. 2 is a side elevation view thereof, with the opposite side elevation view being a mirror image thereto;

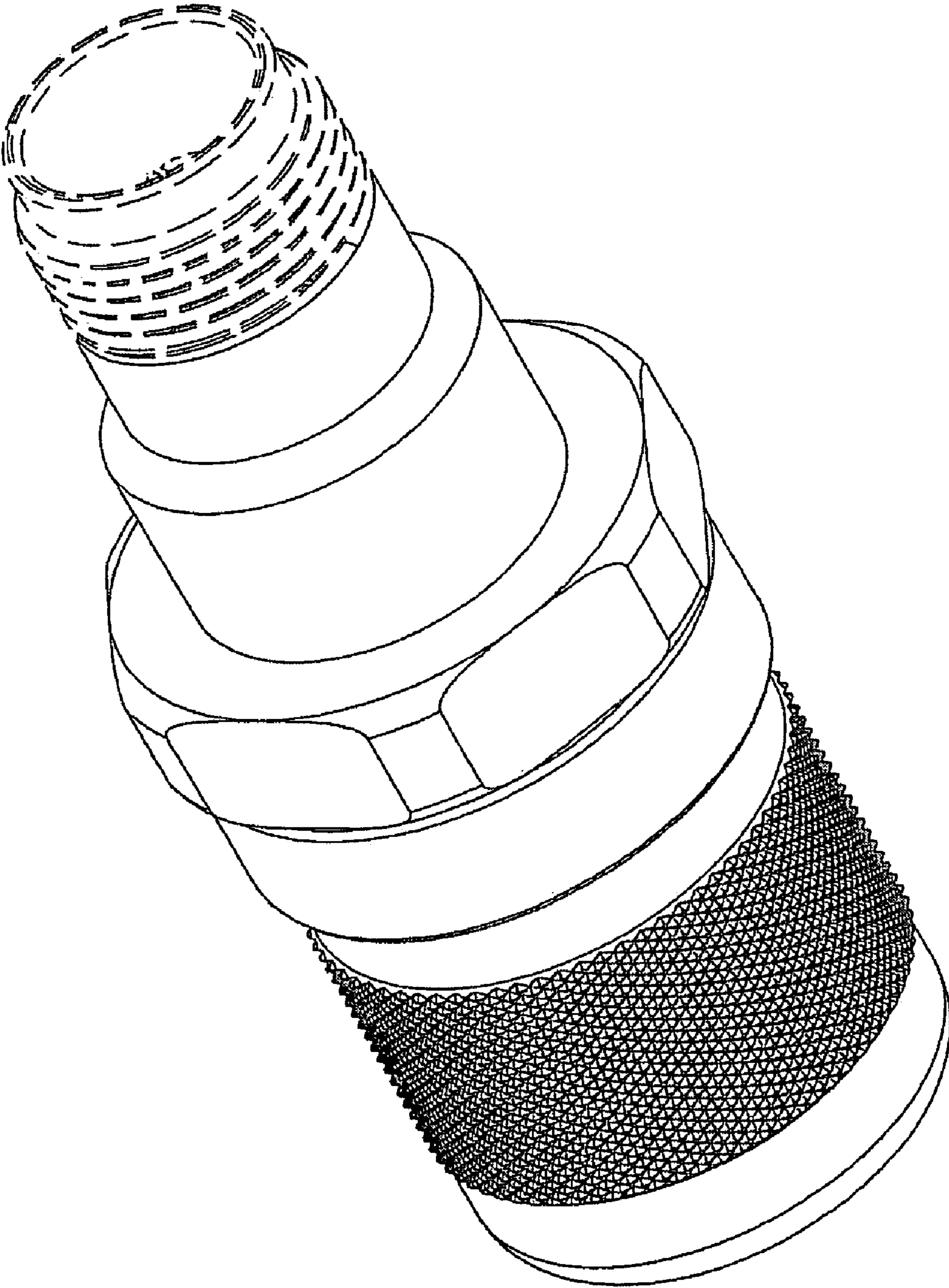
FIG. 3 is a top plan view thereof; and,

FIG. 4 is a bottom plan view thereof.

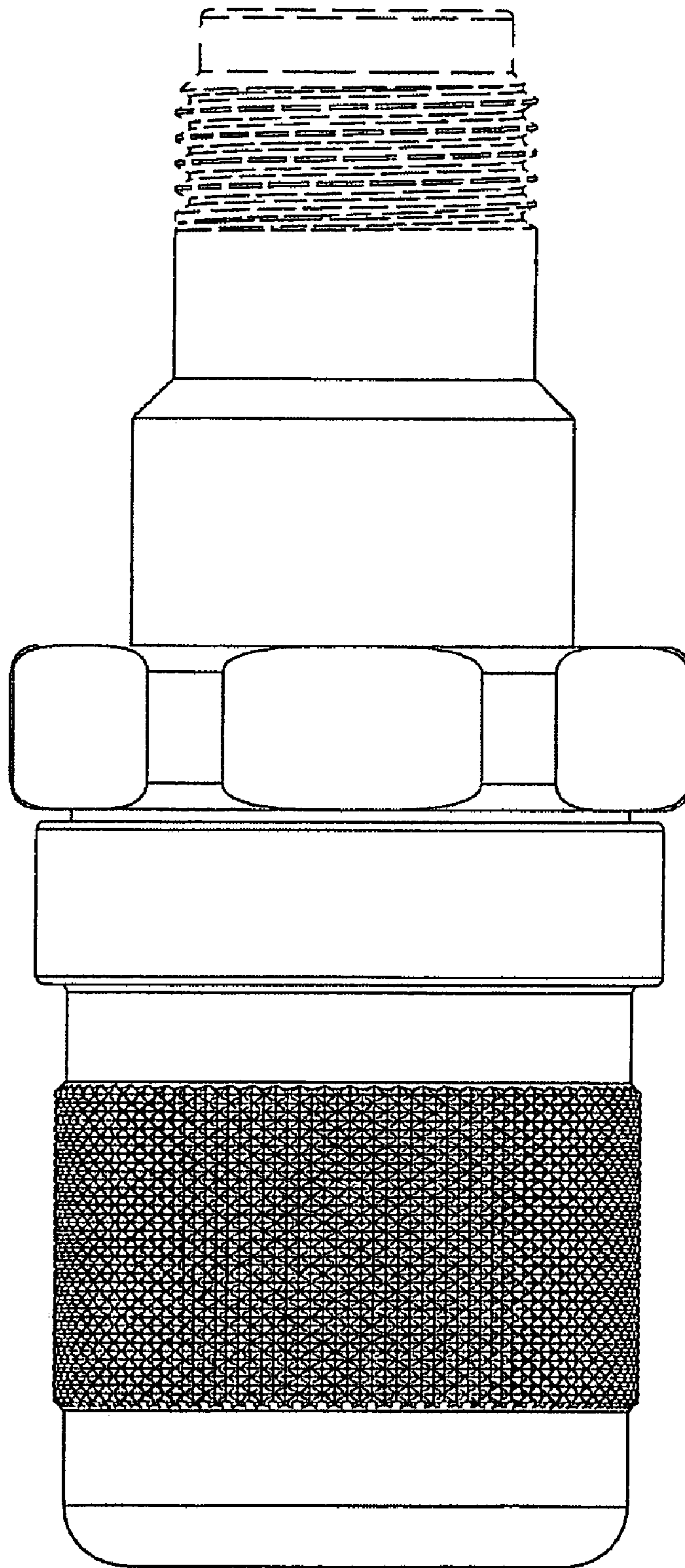
All elements shown with broken lines are not herein claimed by the inventors.

**1 Claim, 4 Drawing Sheets**

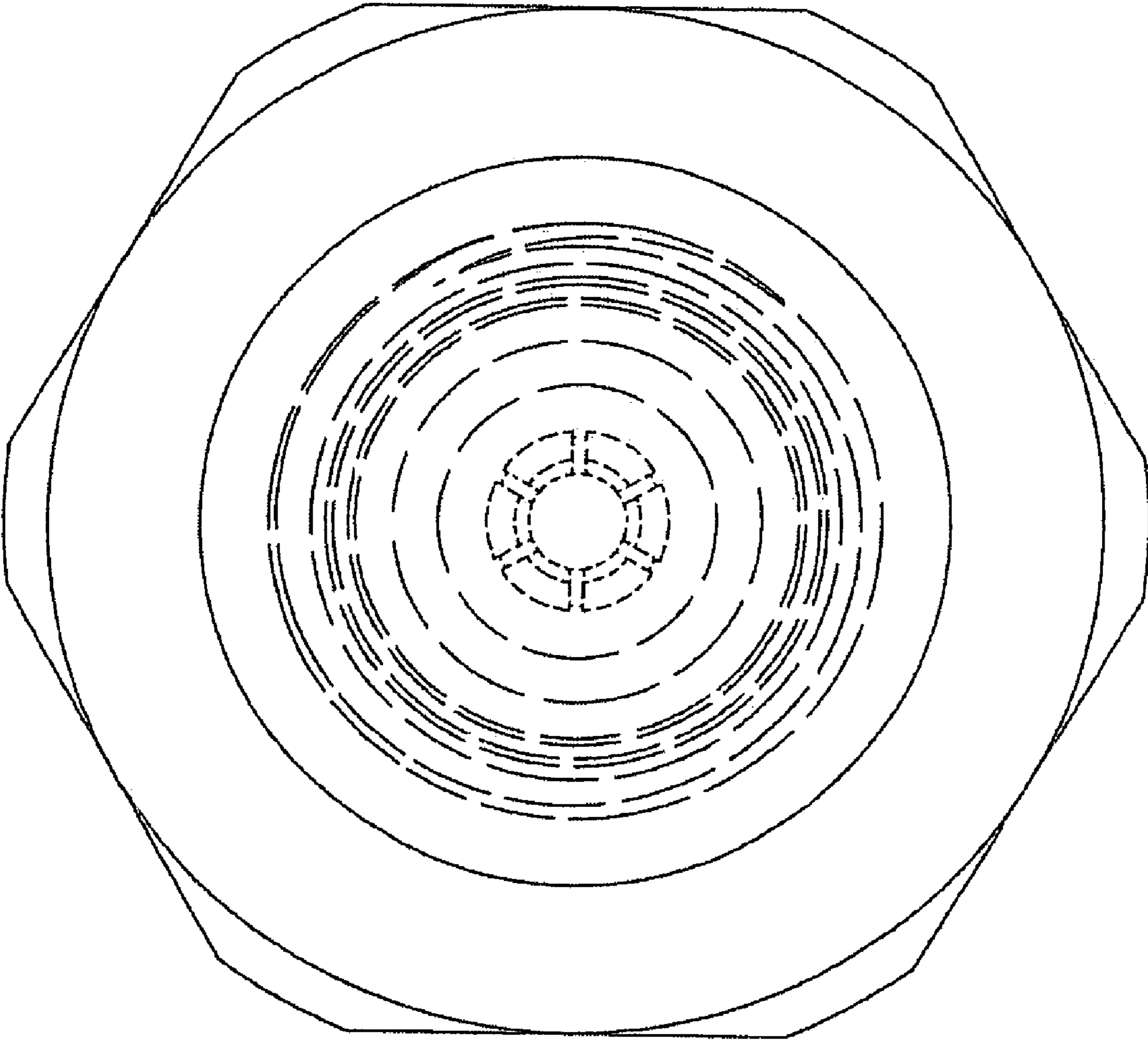




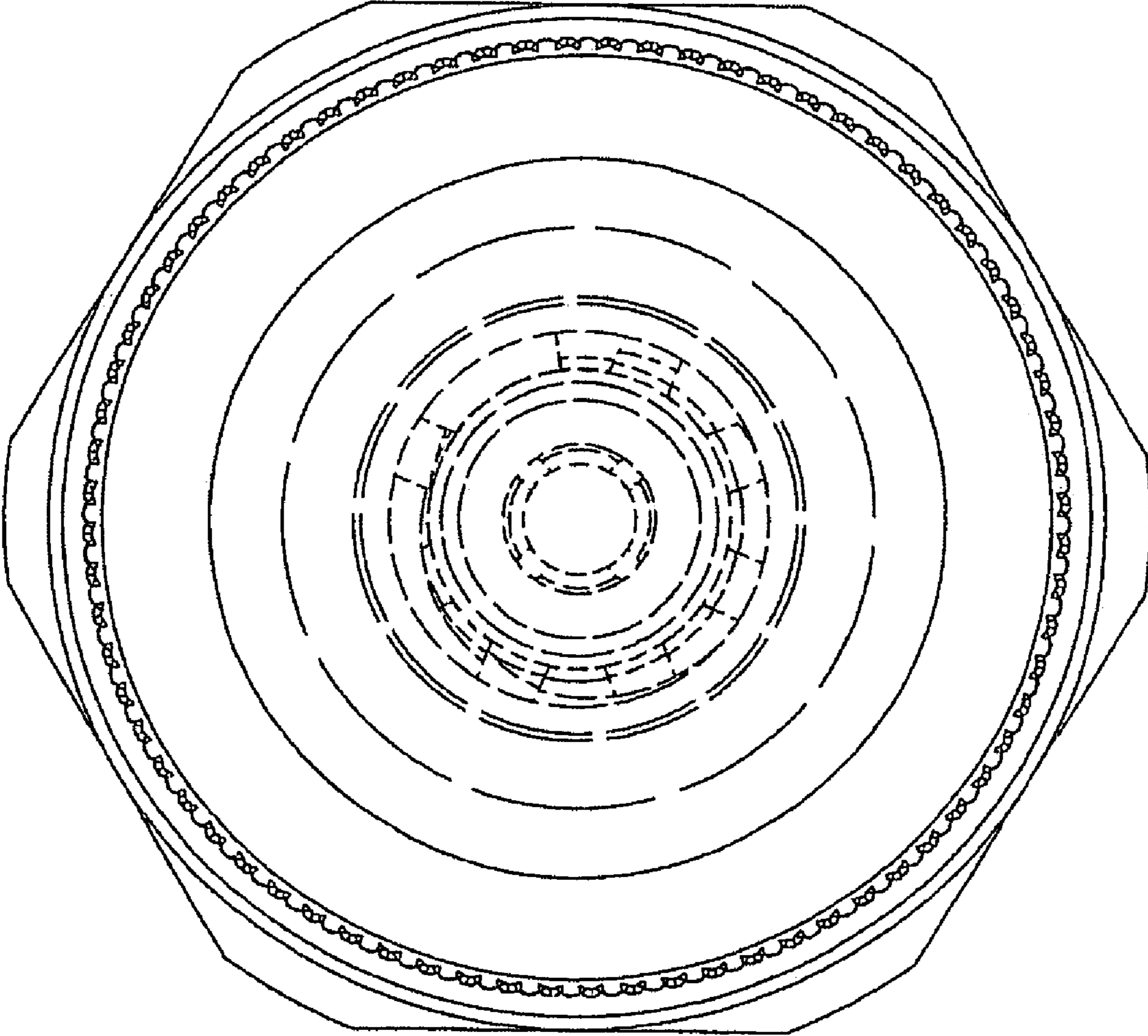
**FIG. 1**



**FIG. 2**



**FIG. 3**



**FIG. 4**