



US00D572195S

(12) **United States Design Patent**  
**Lin et al.**

(10) **Patent No.:** **US D572,195 S**  
(45) **Date of Patent:** **\*\* Jul. 1, 2008**

(54) **CLIPPING COVER**

(75) Inventors: **Kuo Chin Lin**, Tu-Cheng (TW); **Feng Zhu**, Tu-Cheng (TW); **Hua Lian Li**, Tu-Cheng (TW)

(73) Assignee: **Cheng Uei Precision Industry Co., Ltd.**, Taipei Hsien (TW)

(\*\*) Term: **14 Years**

(21) Appl. No.: **29/270,789**

(22) Filed: **Jan. 4, 2007**

(51) **LOC (8) Cl.** ..... **13-03**

(52) **U.S. Cl.** ..... **D13/133; D13/154**

(58) **Field of Classification Search** ..... D13/133,  
D13/137.1, 138.1, 139.1, 146, 147, 154, 184,  
D13/199; 439/43, 95, 92, 93, 172, 252, 247,  
439/248, 271, 272, 353, 357-358, 362, 372,  
439/378, 527, 529, 538, 569, 680, 558, 606-610,  
439/731

See application file for complete search history.

(56) **References Cited**

**U.S. PATENT DOCUMENTS**

D302,422 S \* 7/1989 Justiano et al. .... D13/133  
5,015,802 A \* 5/1991 Chi ..... 174/354  
D318,847 S \* 8/1991 Reed ..... D13/154

D360,871 S \* 8/1995 Wilson ..... D13/133  
D463,377 S \* 9/2002 Canty ..... D13/155  
D467,553 S \* 12/2002 Cheng ..... D13/154  
D475,639 S \* 6/2003 Monette et al. .... D10/56  
D510,724 S \* 10/2005 Li et al. .... D13/147  
D510,725 S \* 10/2005 Lai et al. .... D13/147  
D552,034 S \* 10/2007 Hobson et al. .... D13/133

\* cited by examiner

*Primary Examiner*—Daniel D Bui

*Assistant Examiner*—Thomas J Johannes

(74) *Attorney, Agent, or Firm*—Rosenberg, Klein & Lee

(57) **CLAIM**

The ornamental design for a clipping cover, as shown and described.

**DESCRIPTION**

FIG. 1 is a perspective view of a clipping cover showing our new design;

FIG. 2 is a front elevational view thereof;

FIG. 3 is a rear elevational view thereof;

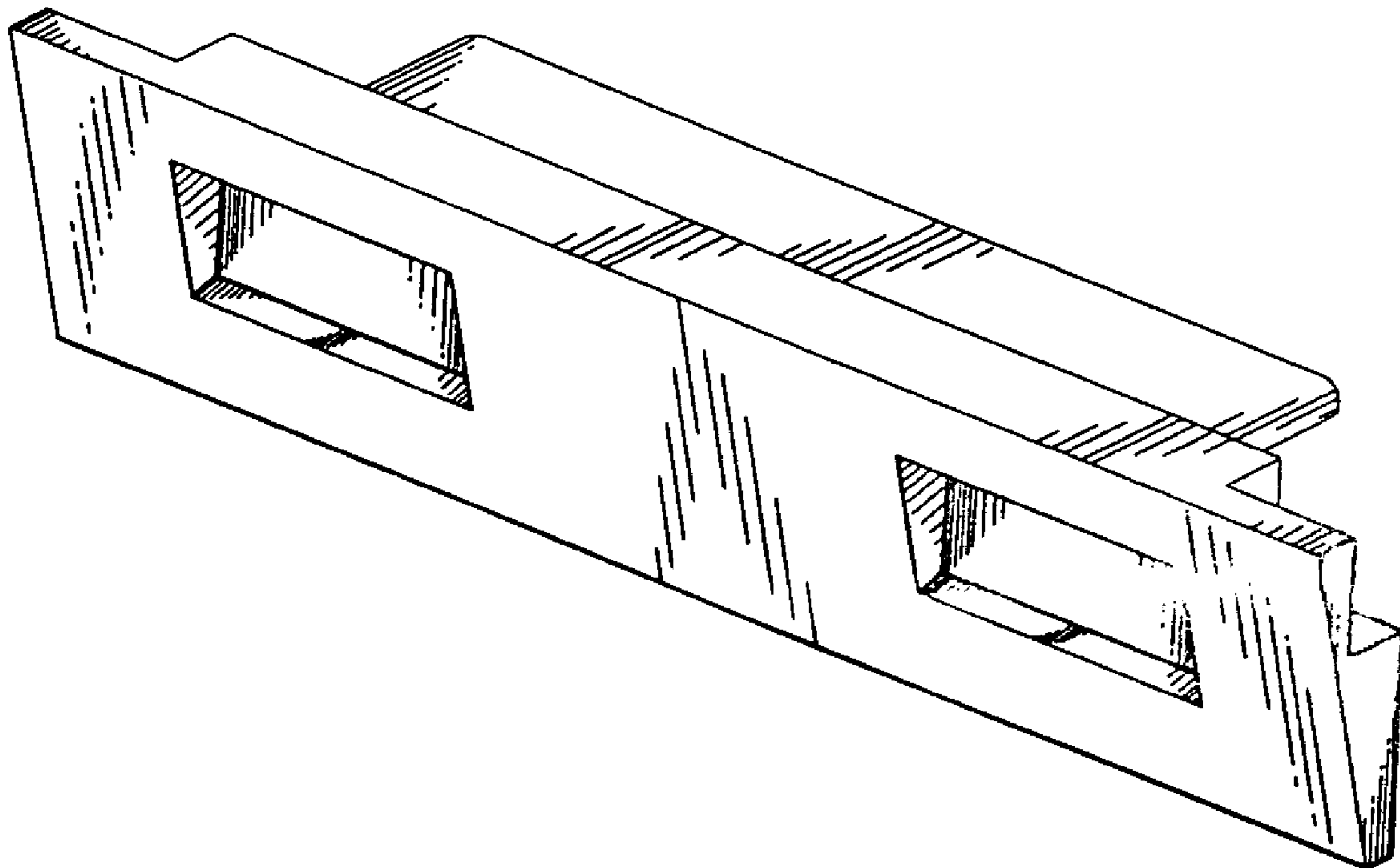
FIG. 4 is a left side elevational view thereof;

FIG. 5 is a right side elevational view thereof;

FIG. 6 is a top plan view thereof; and,

FIG. 7 is a bottom plan view thereof.

**1 Claim, 7 Drawing Sheets**



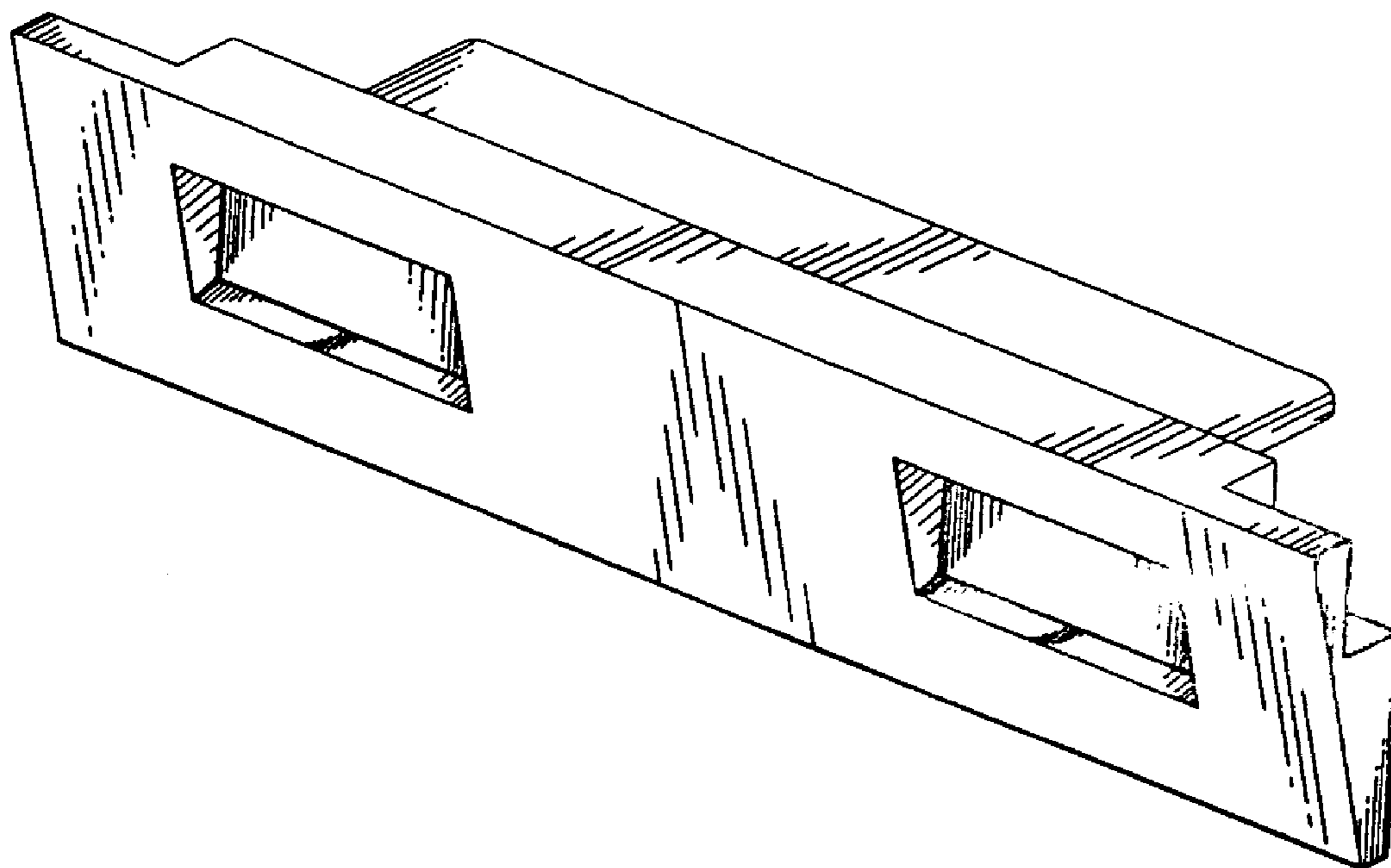


FIG. 1

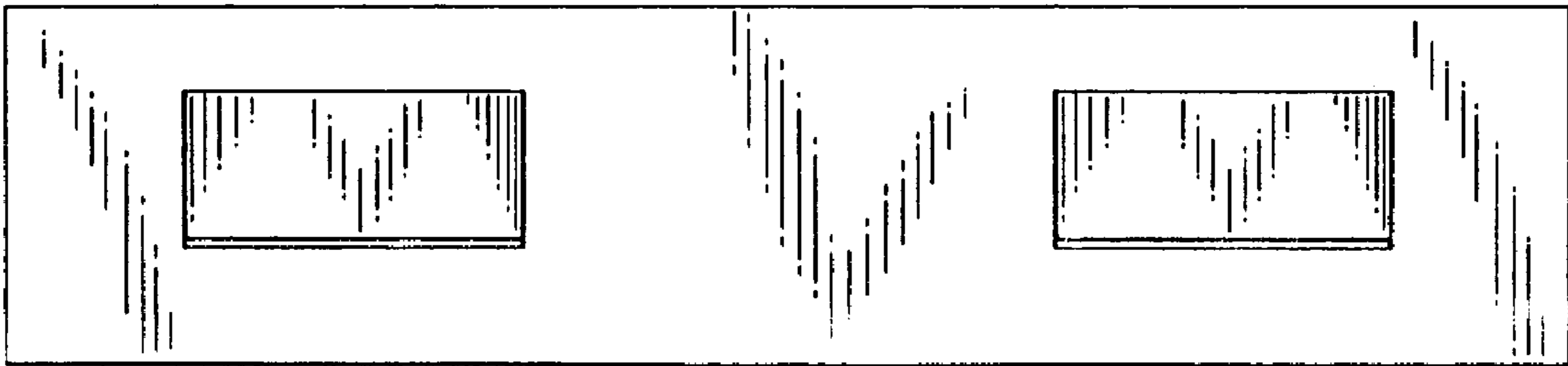


FIG. 2

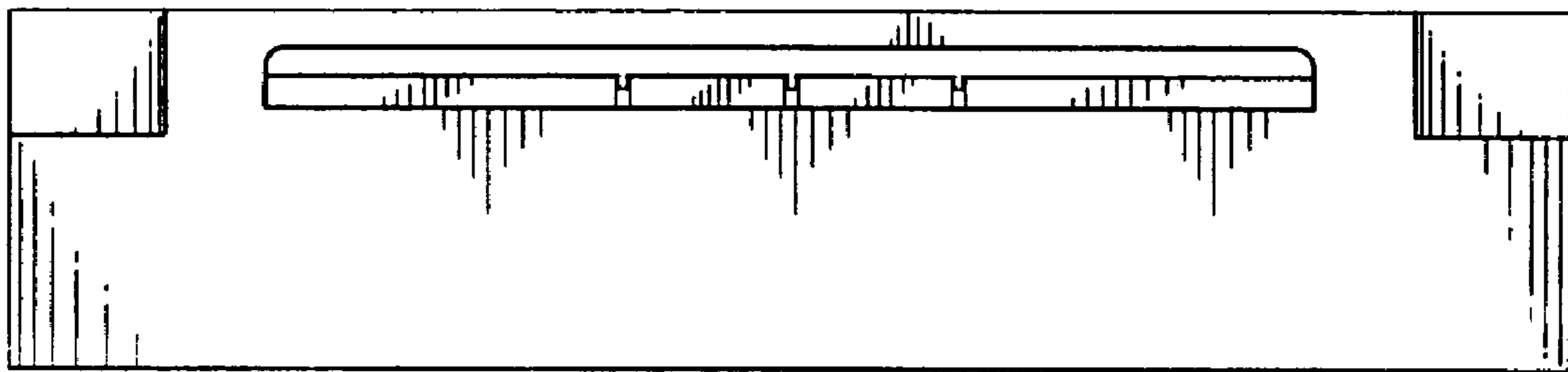


FIG. 3

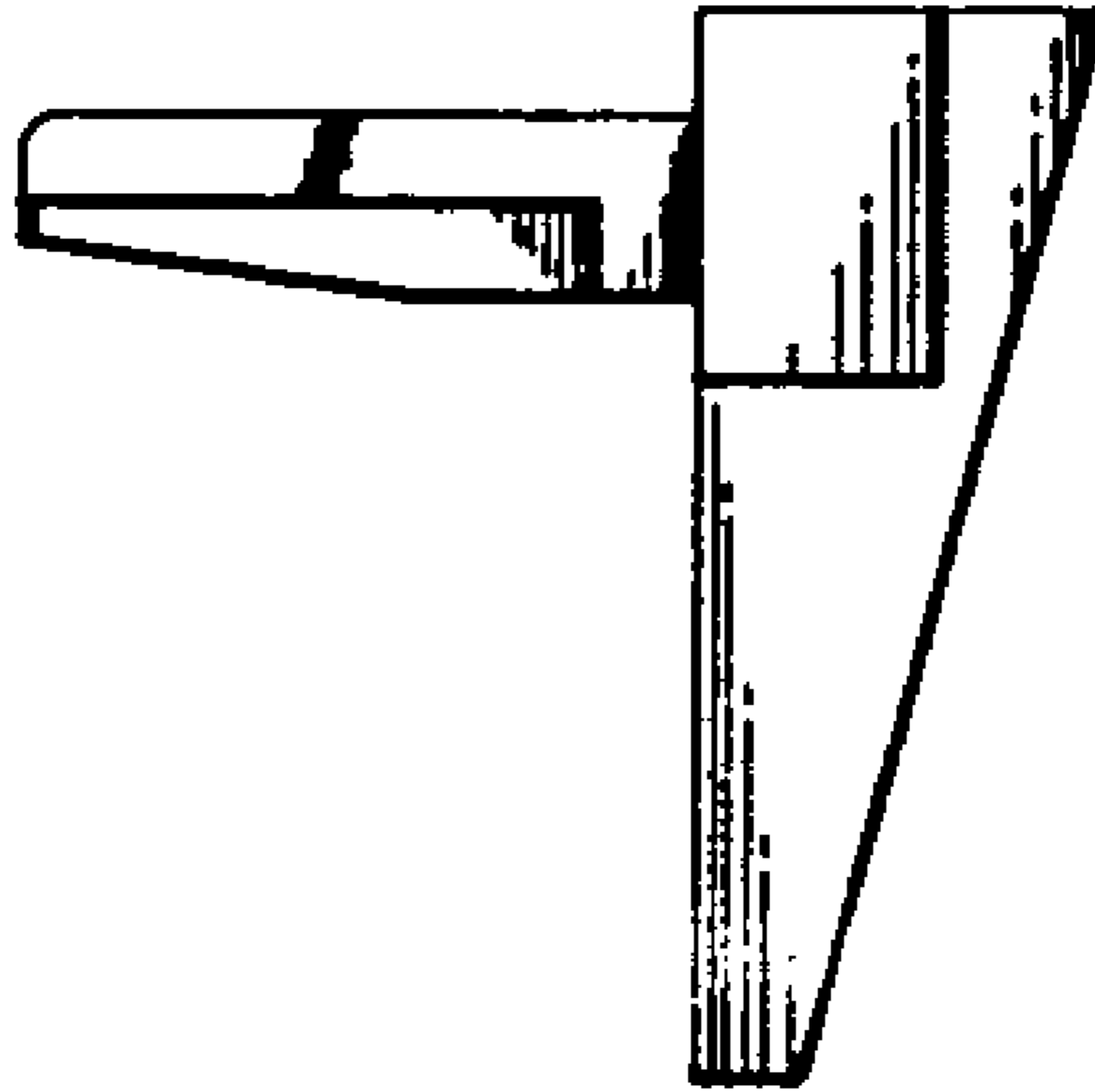


FIG. 4

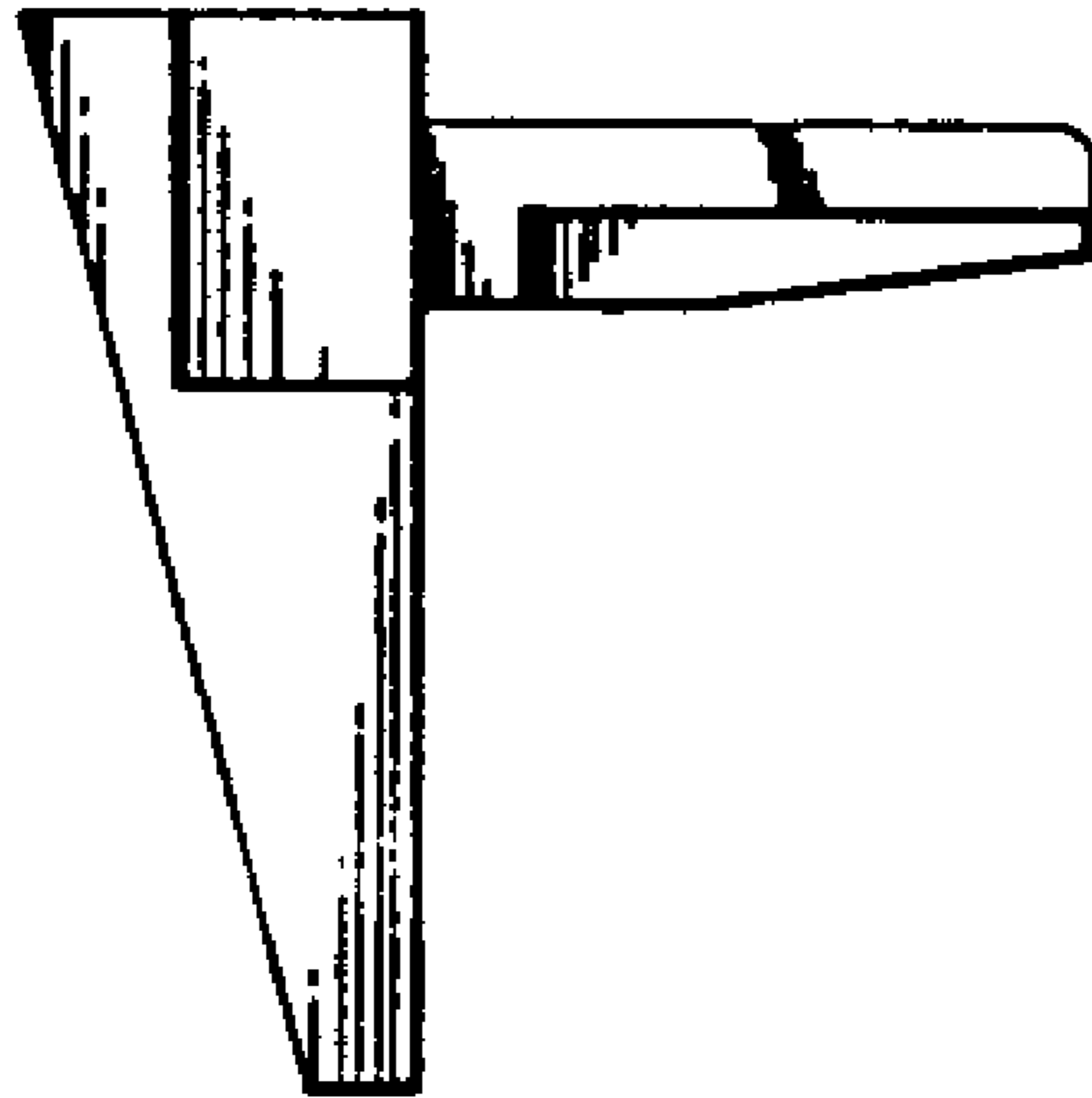


FIG. 5

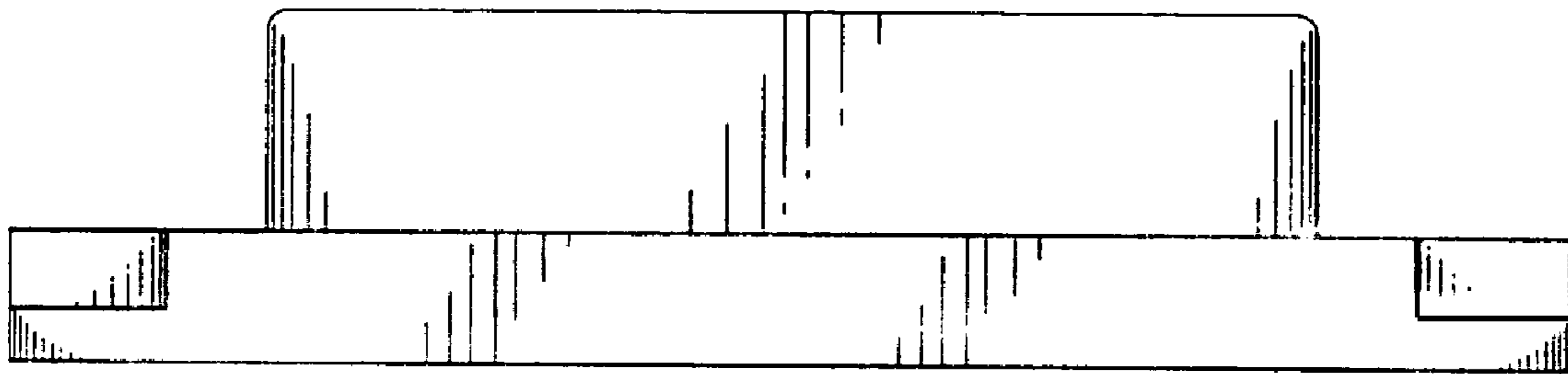


FIG. 6

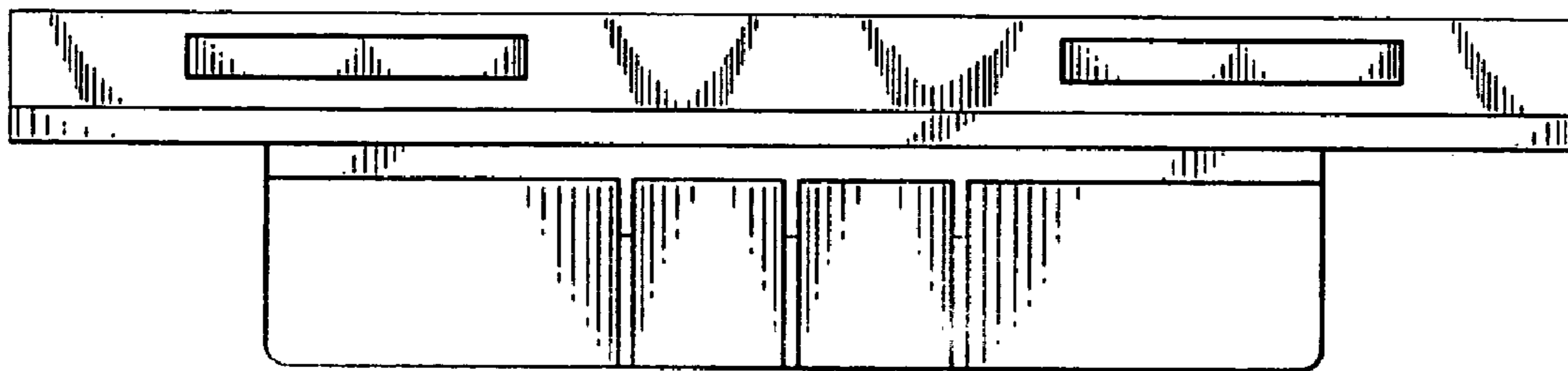


FIG. 7