



US00D572194S

(12) **United States Design Patent**
Lin et al.

(10) **Patent No.:** **US D572,194 S**

(45) **Date of Patent:** **** Jul. 1, 2008**

(54) **CLIPPING COVER**

(75) Inventors: **Kuo Chin Lin**, Tu-Cheng (TW); **Bo Liu**,
Tu-Cheng (TW); **Feng Zhu**, Tu-Cheng
(TW)

(73) Assignee: **Cheng Uei Precision Industry Co.,
Ltd.**, Taipei Hsien (TW)

(**) Term: **14 Years**

(21) Appl. No.: **29/270,205**

(22) Filed: **Dec. 19, 2006**

(51) **LOC (8) Cl.** **13-03**

(52) **U.S. Cl.** **D13/133; D13/154**

(58) **Field of Classification Search** D13/133,
D13/137.1, 138.1, 139.1, 146, 147, 154, 184,
D13/199; 439/43, 95, 92, 93, 172, 252, 247,
439/248, 271, 272, 353, 357-358, 362, 372,
439/378, 527, 529, 538, 569, 680, 558, 606-610,
439/731

See application file for complete search history.

(56) **References Cited**

U.S. PATENT DOCUMENTS

D266,507 S * 10/1982 Cavanagh D14/251
5,015,802 A * 5/1991 Chi 174/354
D318,847 S * 8/1991 Reed D13/154
D400,168 S * 10/1998 Kuczyk et al. D13/110

D449,279 S * 10/2001 Takach et al. D13/152
D463,377 S * 9/2002 Canty D13/155
D475,639 S * 6/2003 Monette et al. D10/56
D485,531 S * 1/2004 Liao et al. D13/119
D510,724 S * 10/2005 Li et al. D13/147
D525,942 S * 8/2006 Cheng et al. D13/147
D552,033 S * 10/2007 Nishio et al. D13/133

* cited by examiner

Primary Examiner—Daniel D Bui

Assistant Examiner—Thomas J Johannes

(74) *Attorney, Agent, or Firm*—Rosenberg, Klein & Lee

(57) **CLAIM**

The ornamental design for a clipping cover, as shown and described.

DESCRIPTION

FIG. 1 is a perspective view of a clipping cover showing our new design;

FIG. 2 is a front elevational view thereof;

FIG. 3 is a rear elevational view thereof;

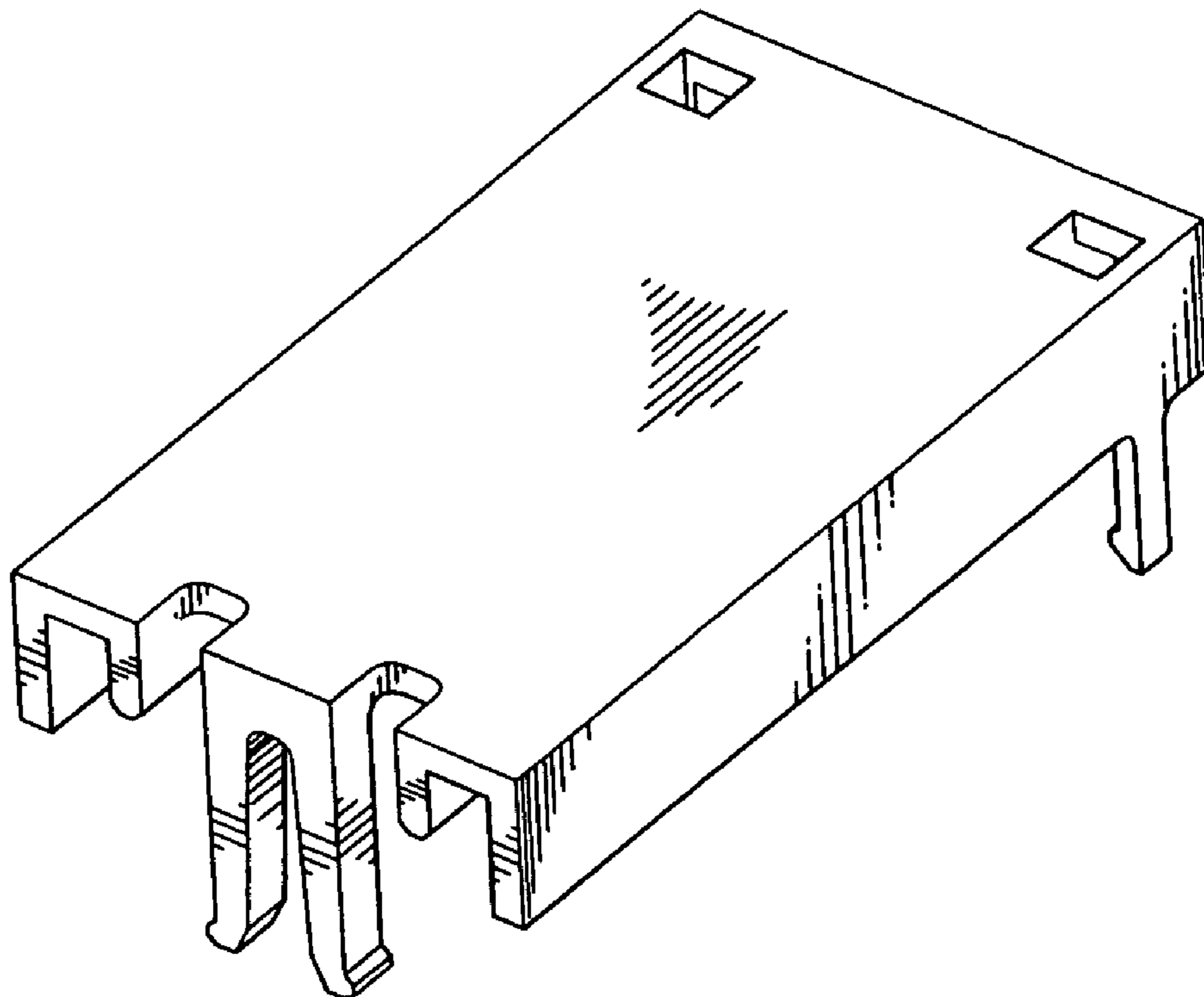
FIG. 4 is a left side elevational view thereof;

FIG. 5 is a right side elevational view thereof;

FIG. 6 is a top plan view thereof; and,

FIG. 7 is a bottom plan view thereof.

1 Claim, 7 Drawing Sheets



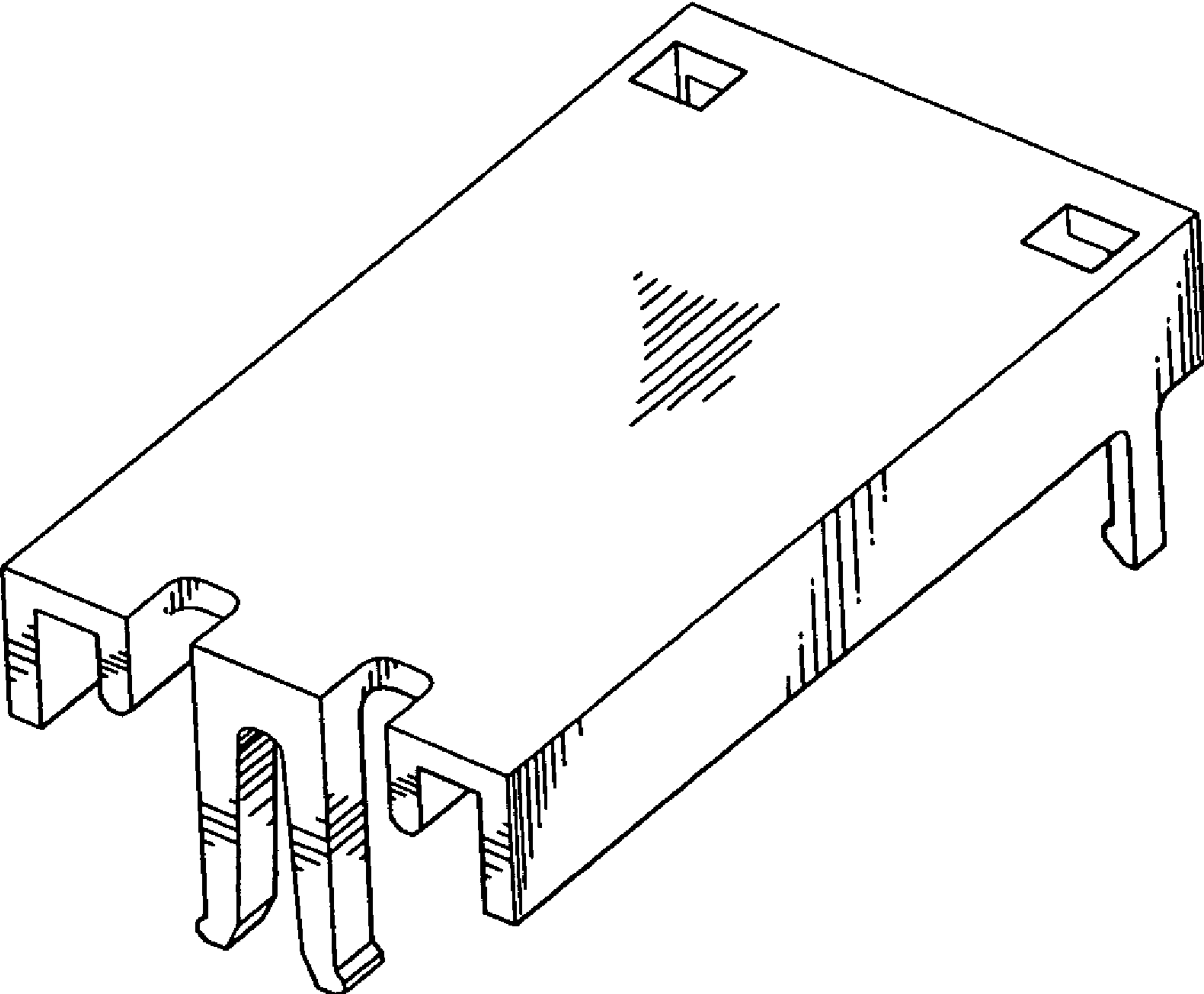


FIG. 1

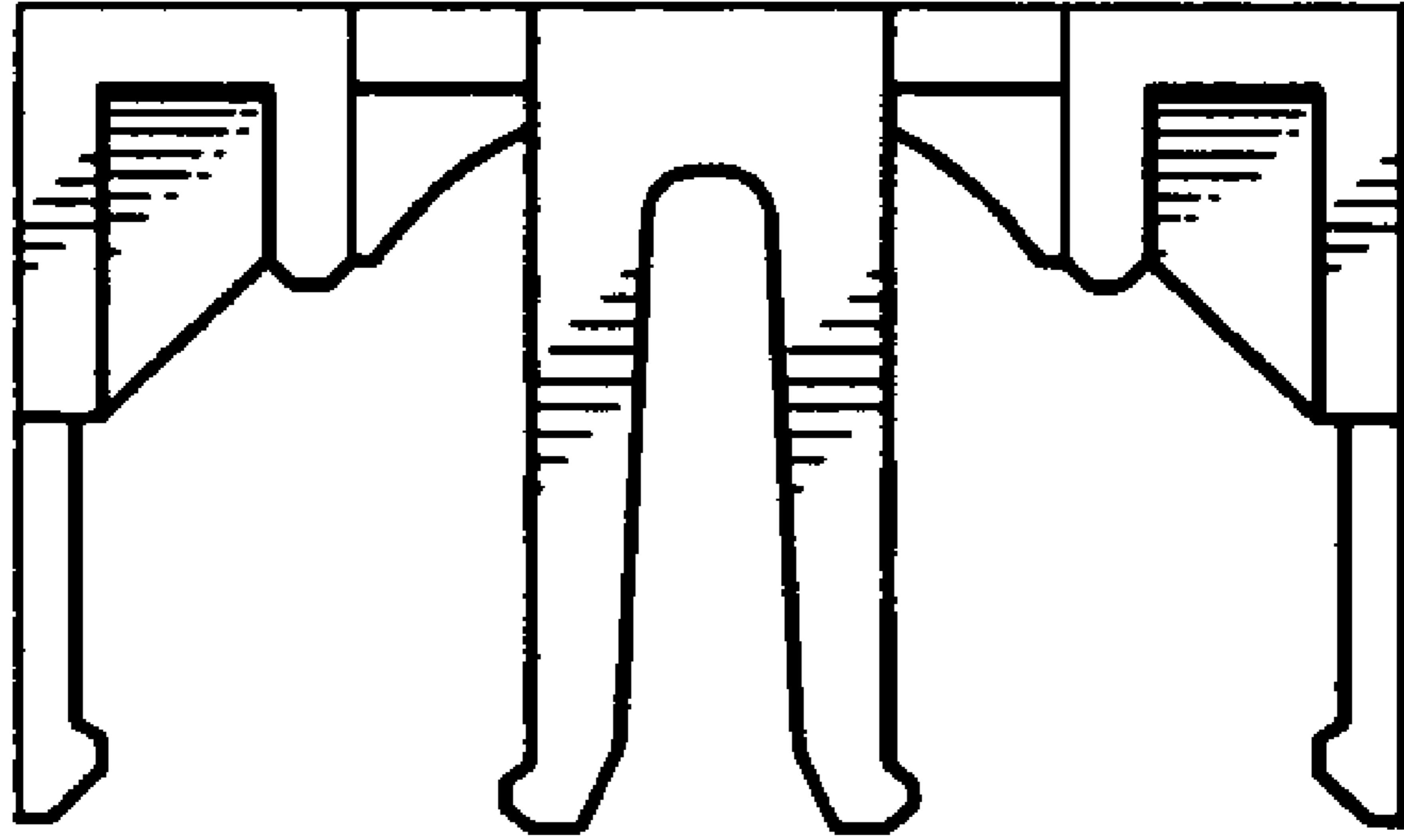


FIG. 2

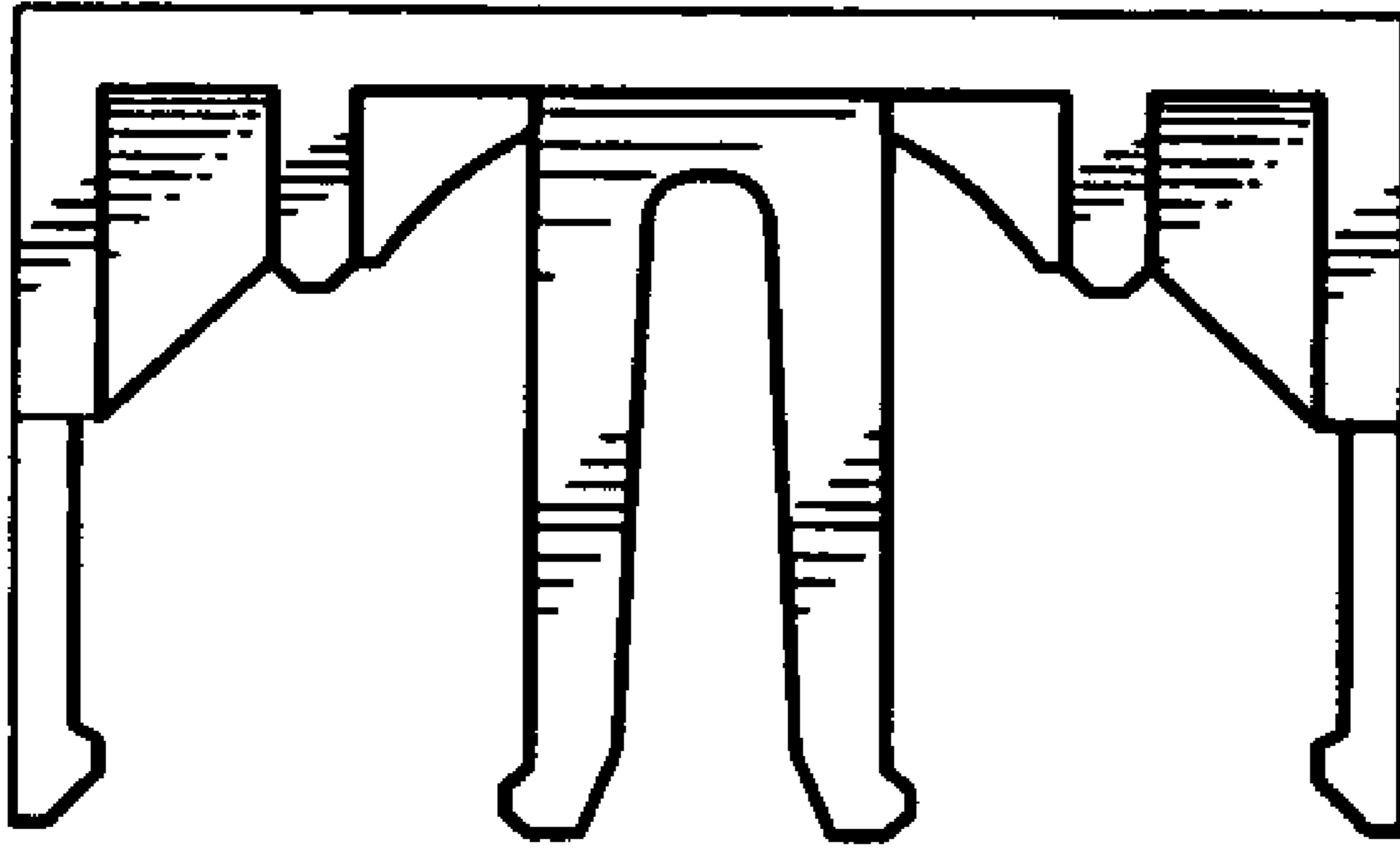


FIG. 3

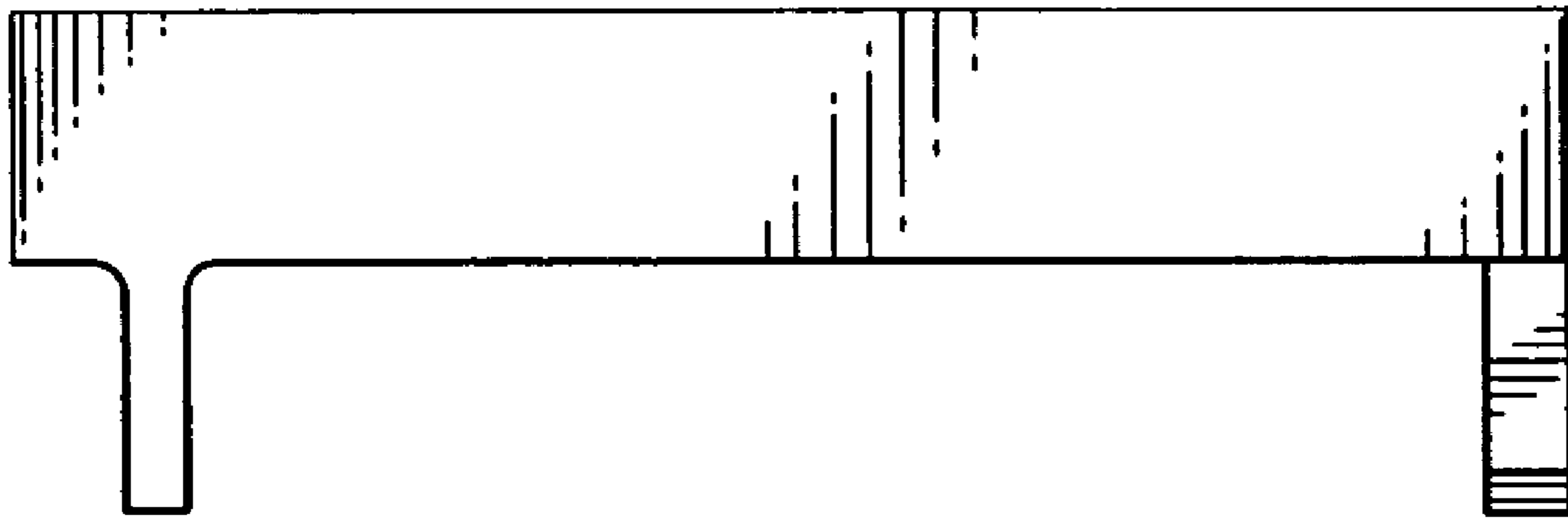


FIG. 4

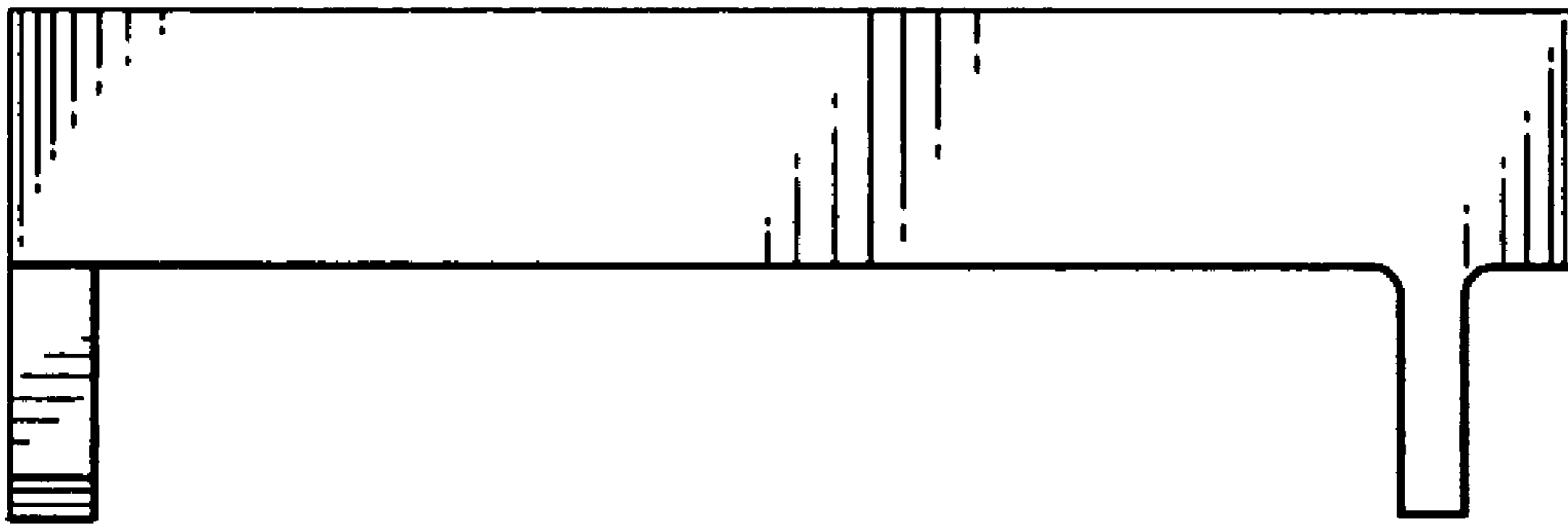


FIG. 5

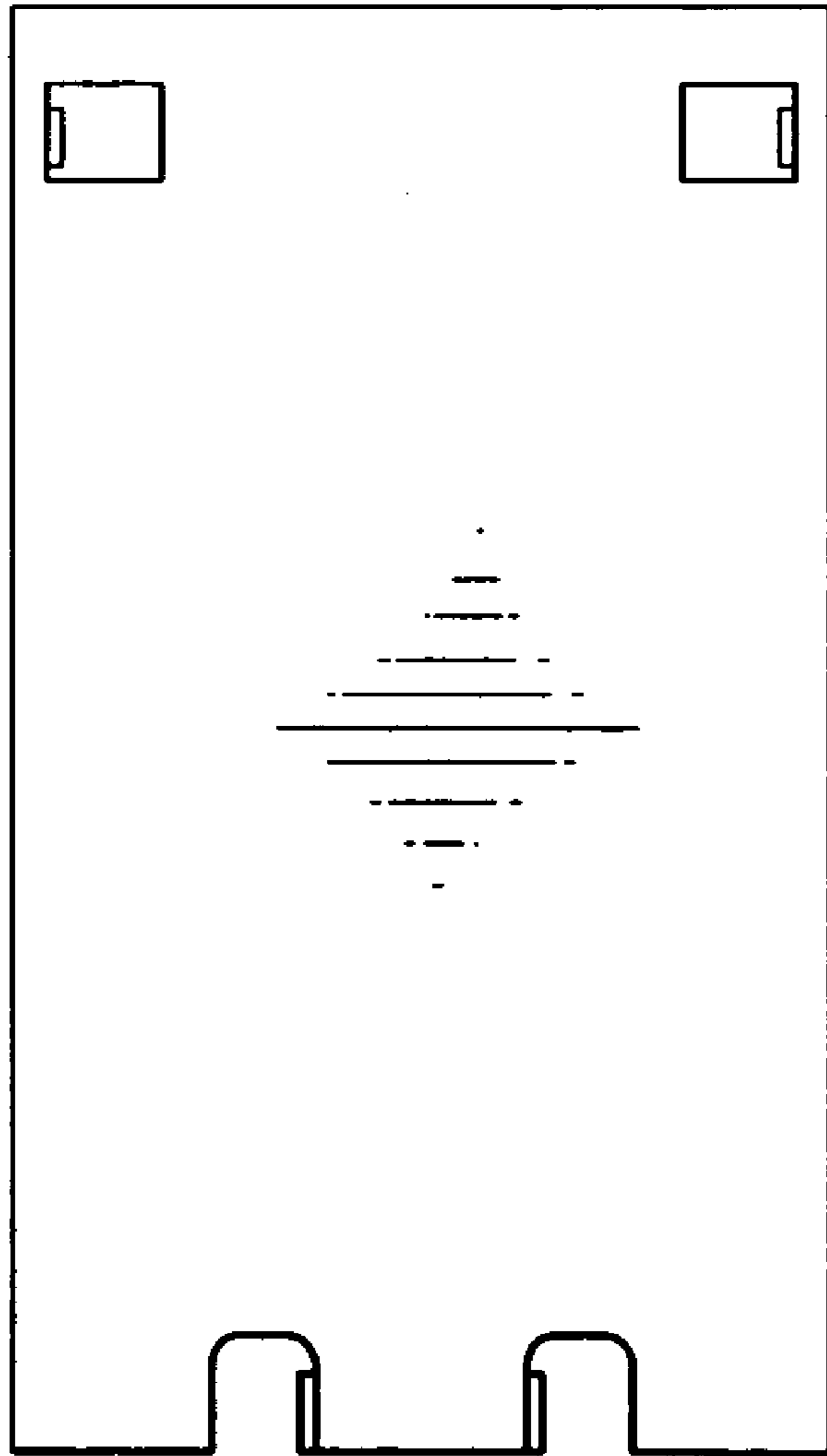


FIG. 6

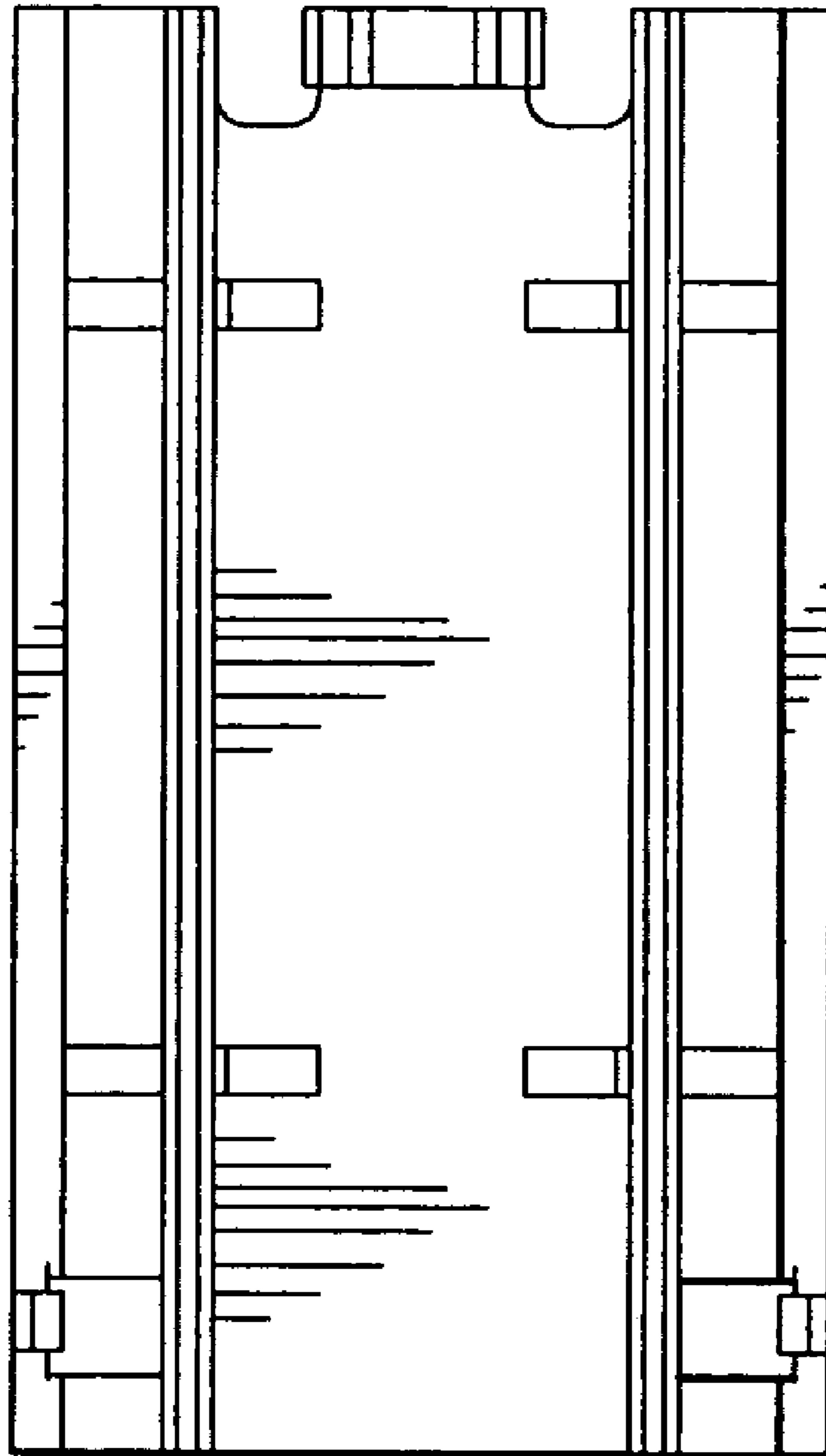


FIG. 7