



US00D572192S

(12) **United States Design Patent**
Zhu

(10) **Patent No.:** **US D572,192 S**
(45) **Date of Patent:** **** Jul. 1, 2008**

(54) **CONTROL PANEL FOR GENERATOR**

D475,967 S * 6/2003 Tsergas D13/122
D491,524 S * 6/2004 Imai D13/122

(75) Inventor: **Zhenghui Zhu**, Zhejiang (CN)

* cited by examiner

(73) Assignee: **Zhejiang New Mainland Machinery Co., Ltd.**, Zhejiang (CN)

Primary Examiner—Prabhakar Deshmukh

Assistant Examiner—Derrick Holland

(**) Term: **14 Years**

(74) *Attorney, Agent, or Firm*—Raymond Y. Chan; David and Raymond Patent Firm

(21) Appl. No.: **29/292,456**

(57) **CLAIM**

(22) Filed: **Oct. 15, 2007**

The ornamental design for a control panel for generator, as shown and described.

(51) **LOC (8) Cl.** **13-01**

(52) **U.S. Cl.** **D13/122**

(58) **Field of Classification Search** D13/122,
D13/101, 110, 114, 118, 123, 137.3, 162,
D13/184; 307/150, 153; 337/187, 189; 340/656;
362/95

See application file for complete search history.

DESCRIPTION

FIG. 1 is a perspective view of control panel for generator showing my new design.

FIG. 2 is a top view thereof.

FIG. 3 is a bottom view thereof.

FIG. 4 is a front end view thereof.

FIG. 5 is a rear end view thereof.

FIG. 6 is a left view thereof; and,

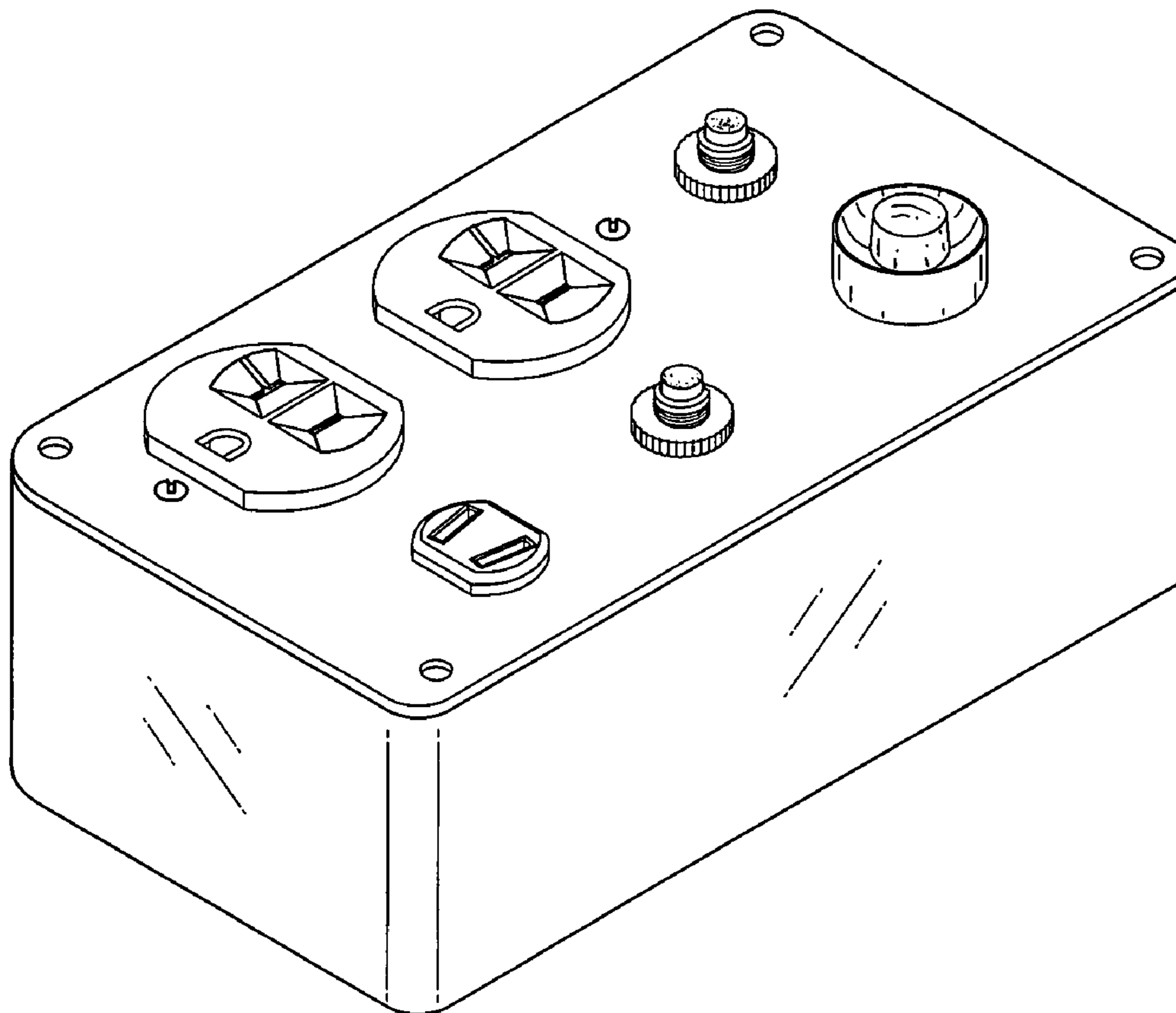
FIG. 7 is a right view thereof.

(56) **References Cited**

U.S. PATENT DOCUMENTS

2,518,812 A * 8/1950 Oswald 340/656
D255,564 S * 6/1980 Brooksby et al. D13/168
D314,743 S * 2/1991 Ishii D13/116
D354,267 S * 1/1995 Severinsky D13/110
D429,688 S * 8/2000 Russo D13/123

1 Claim, 7 Drawing Sheets



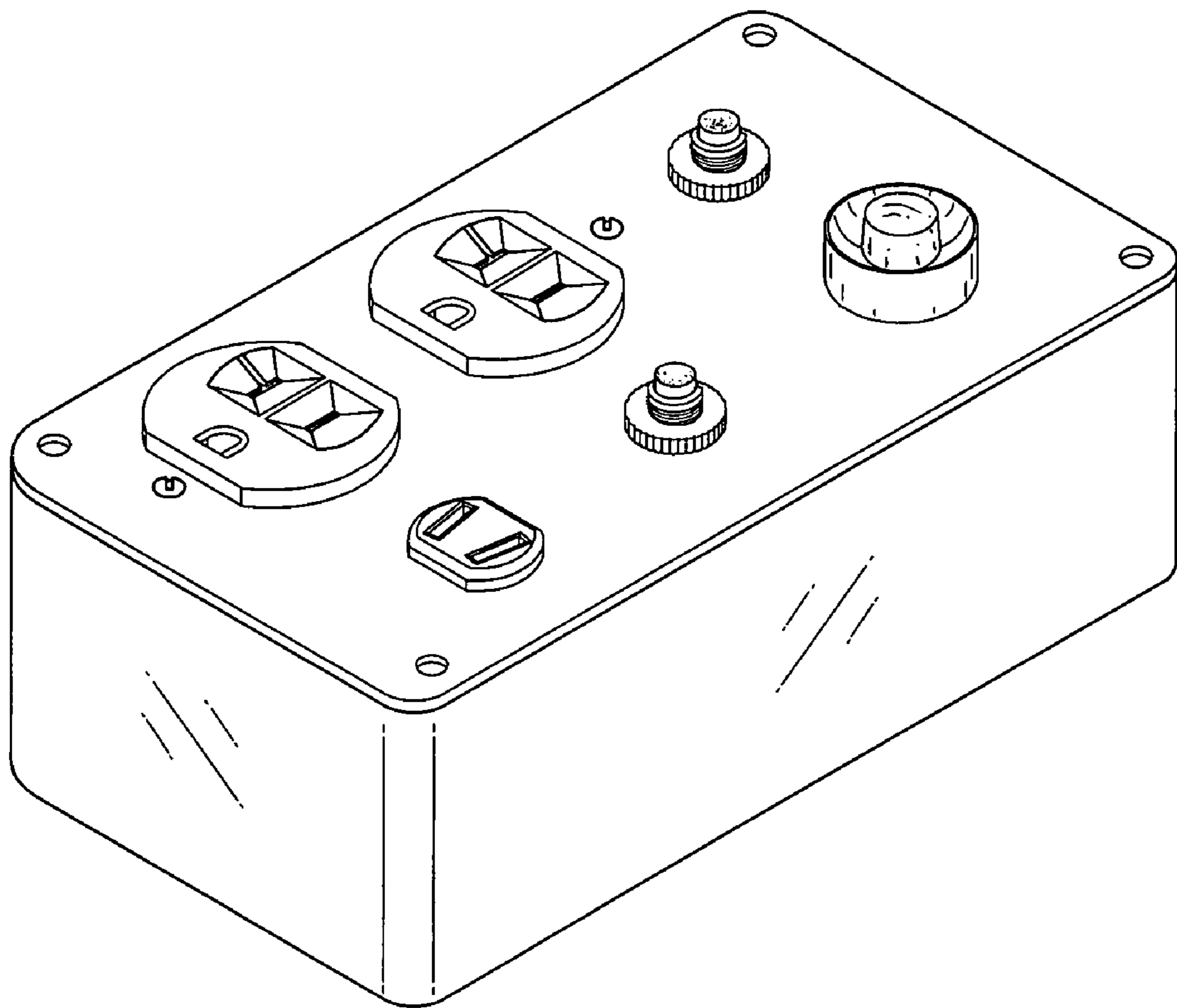


FIG.1

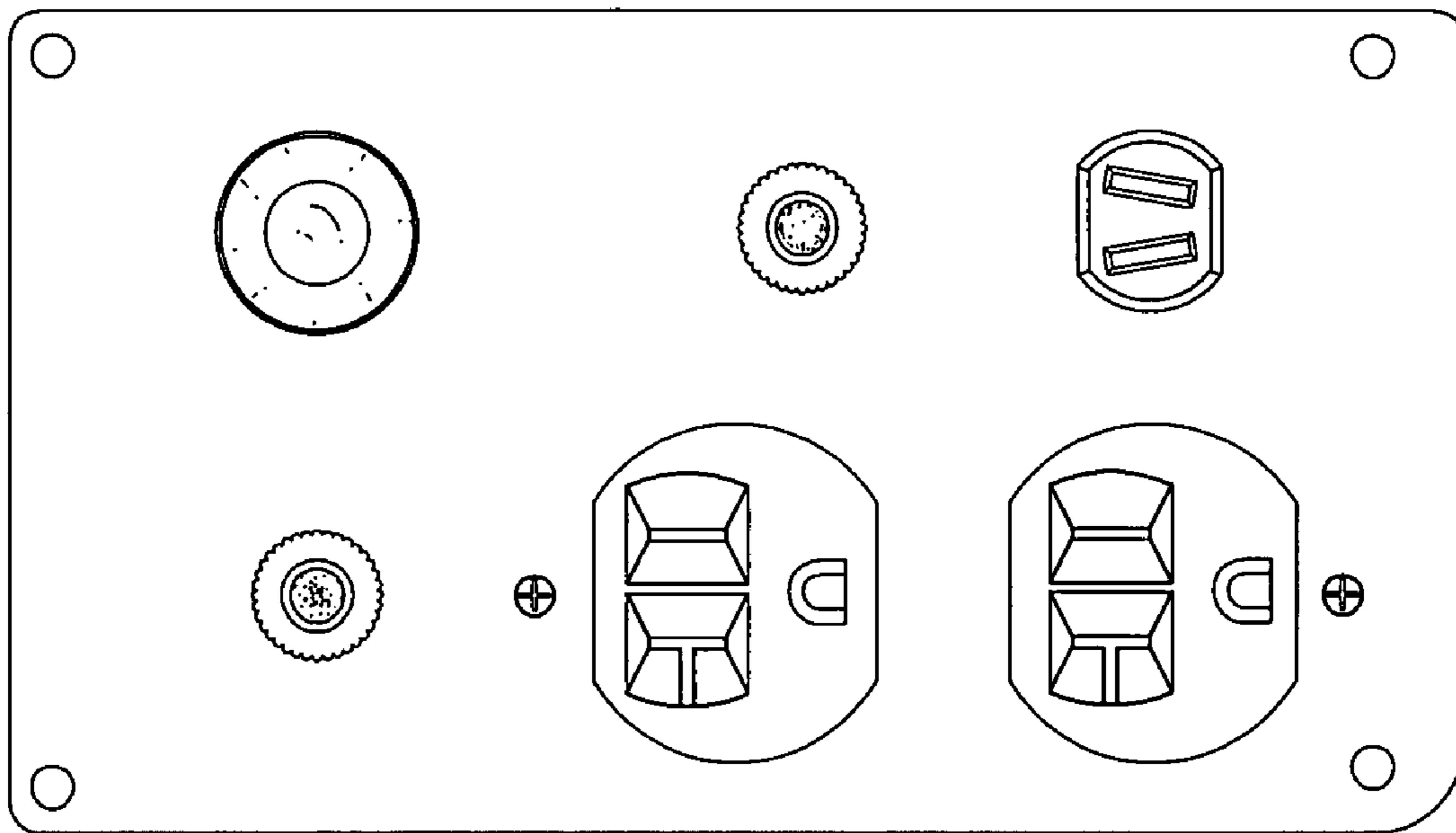


FIG. 2

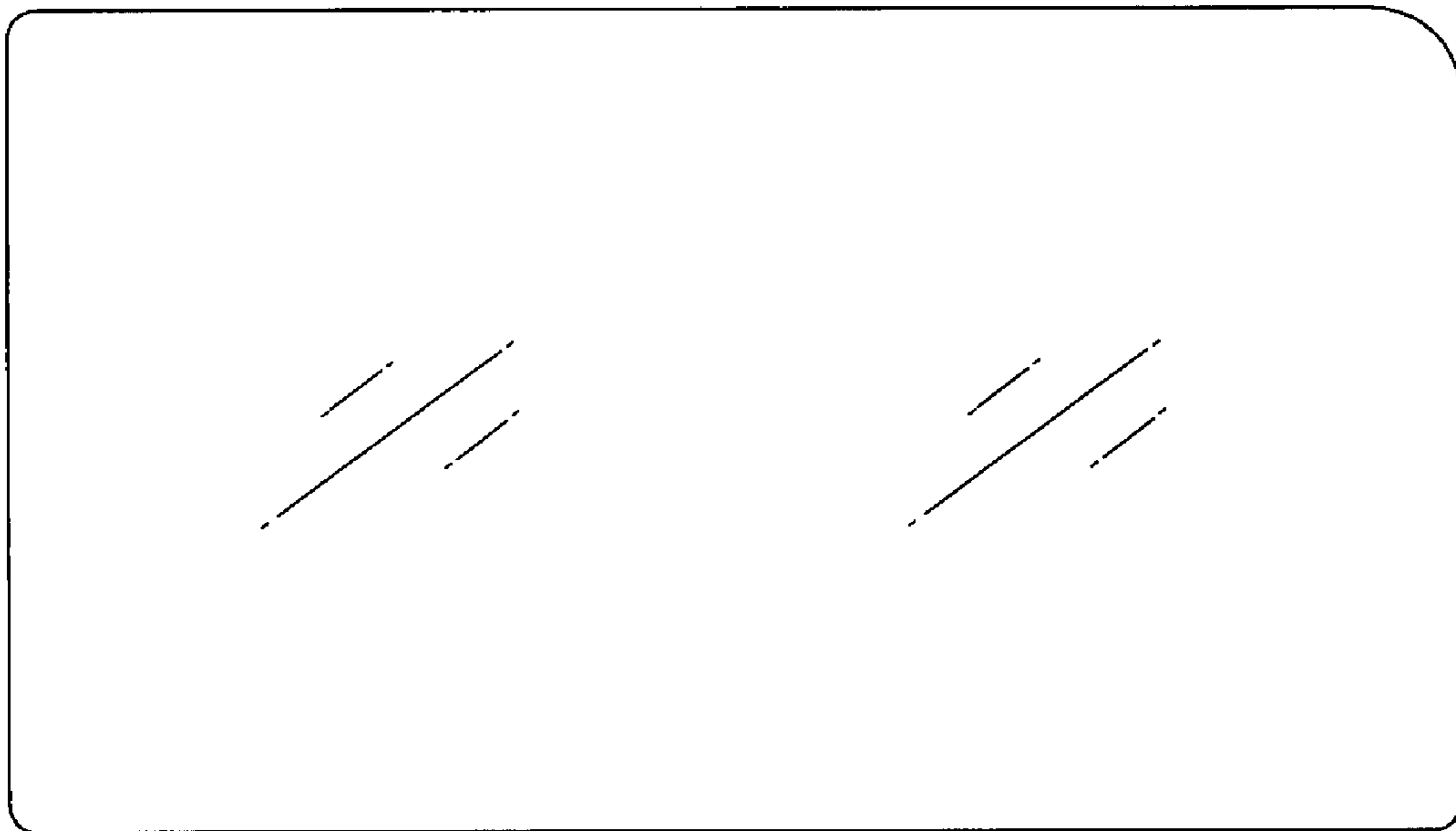


FIG.3

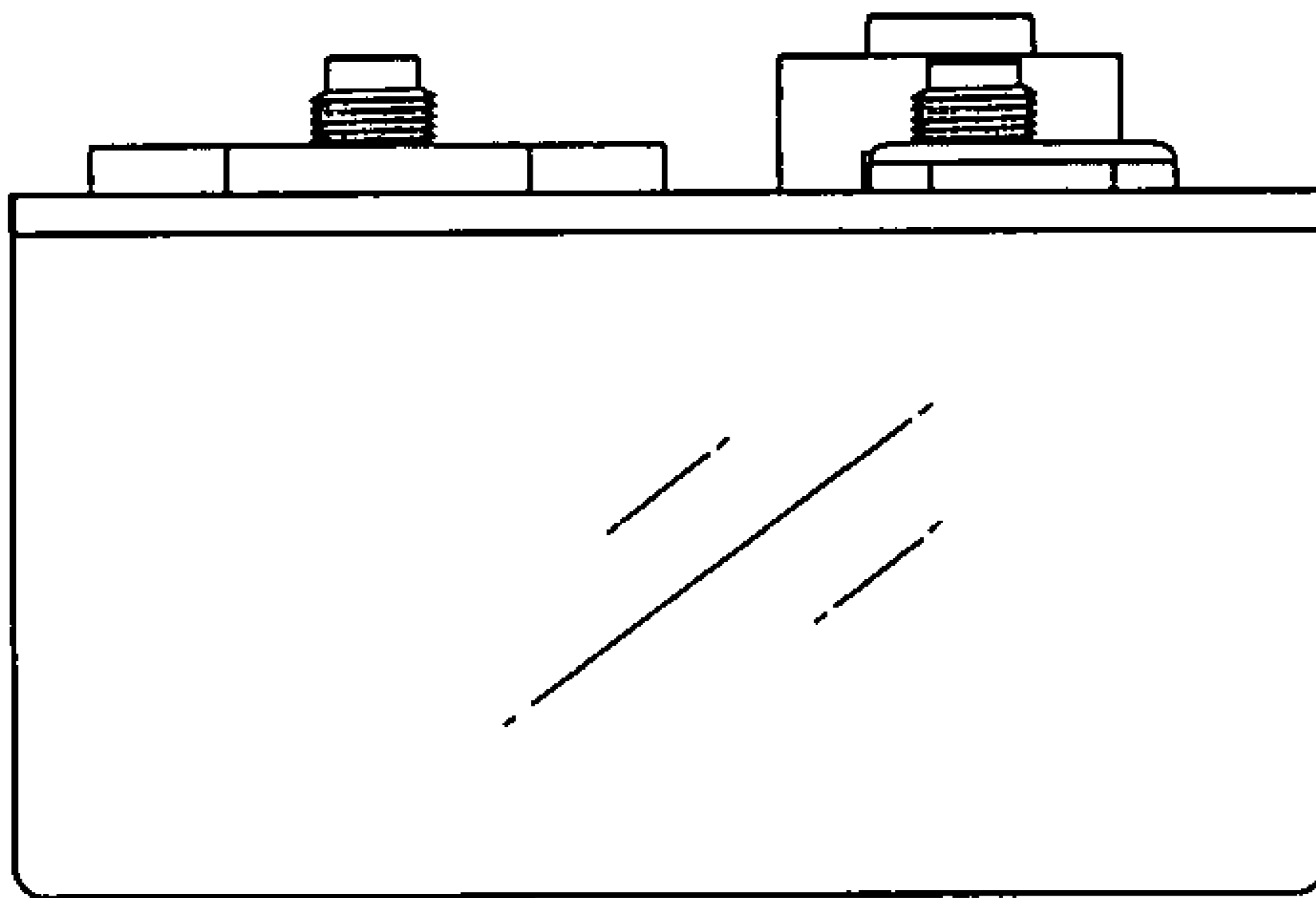


FIG.4

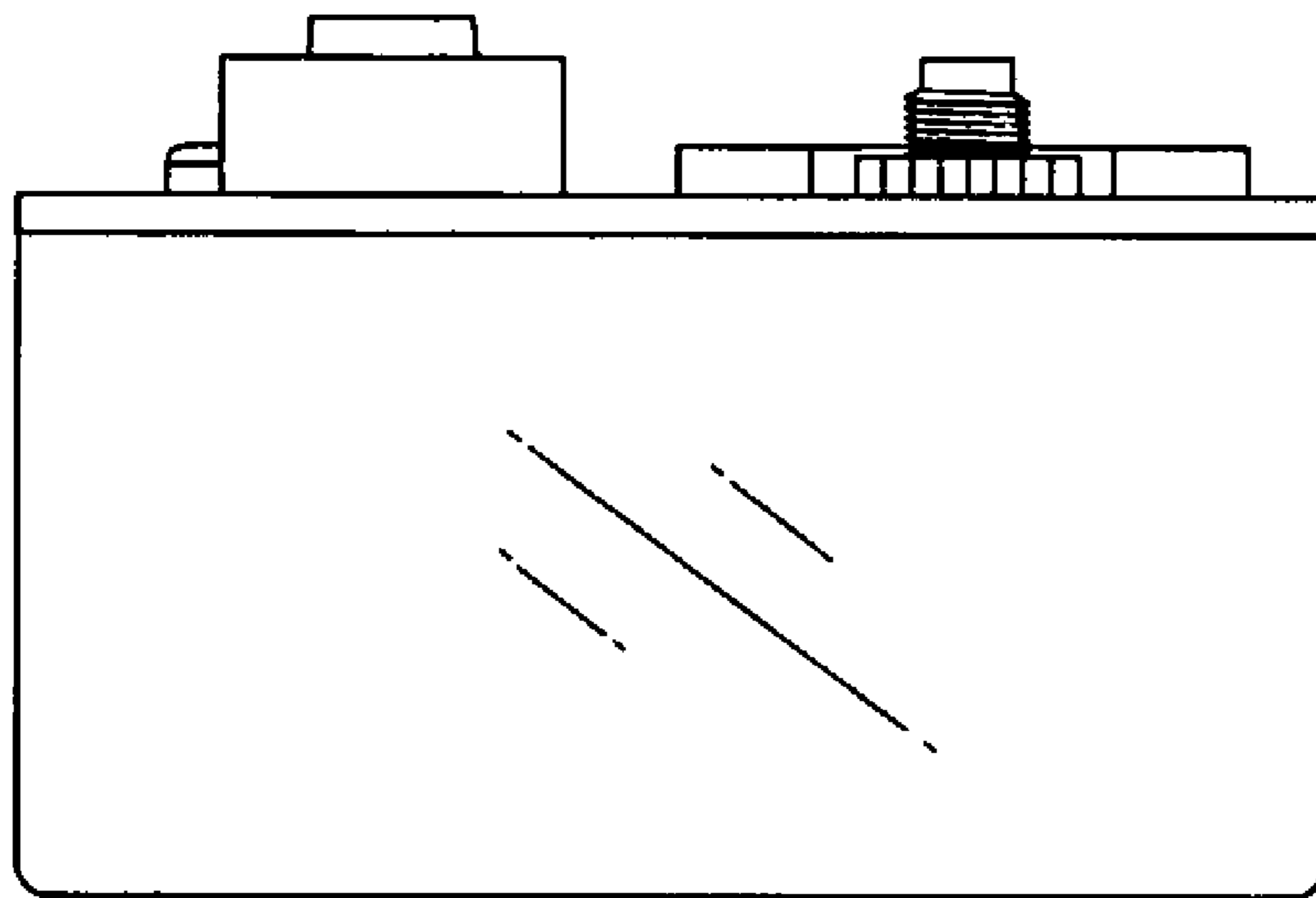


FIG.5

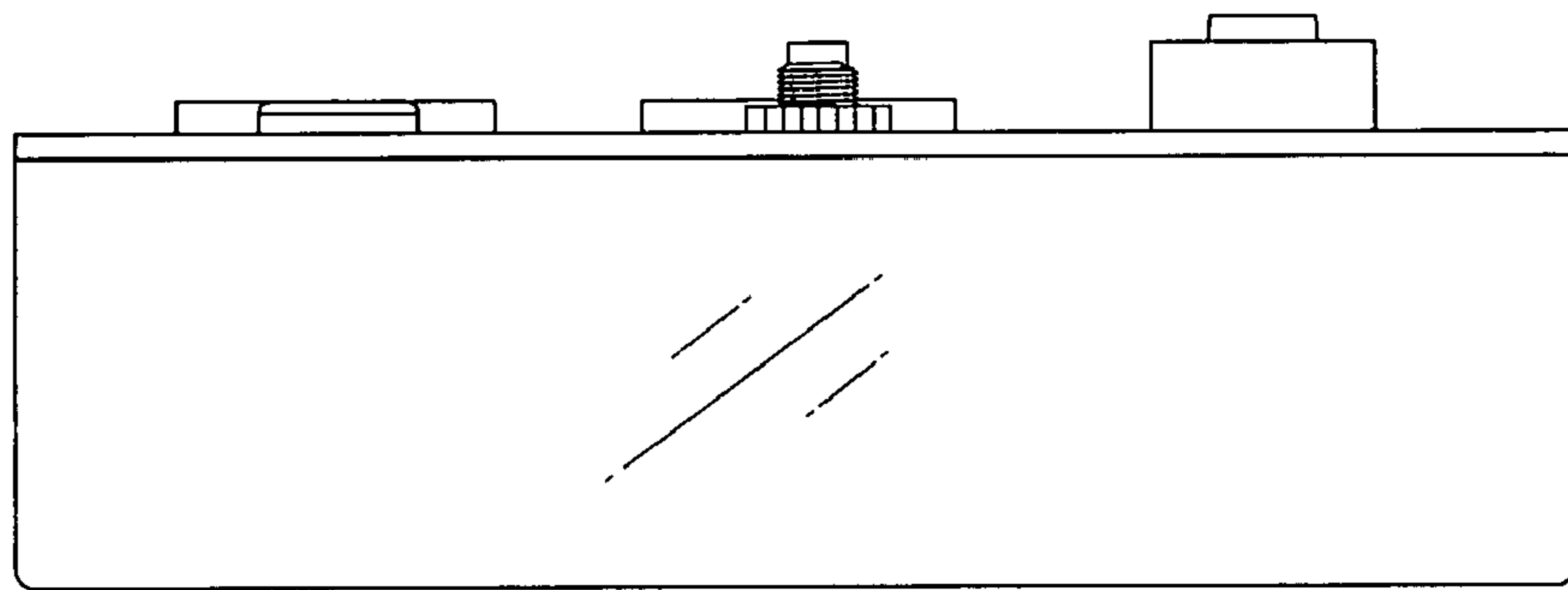


FIG.6

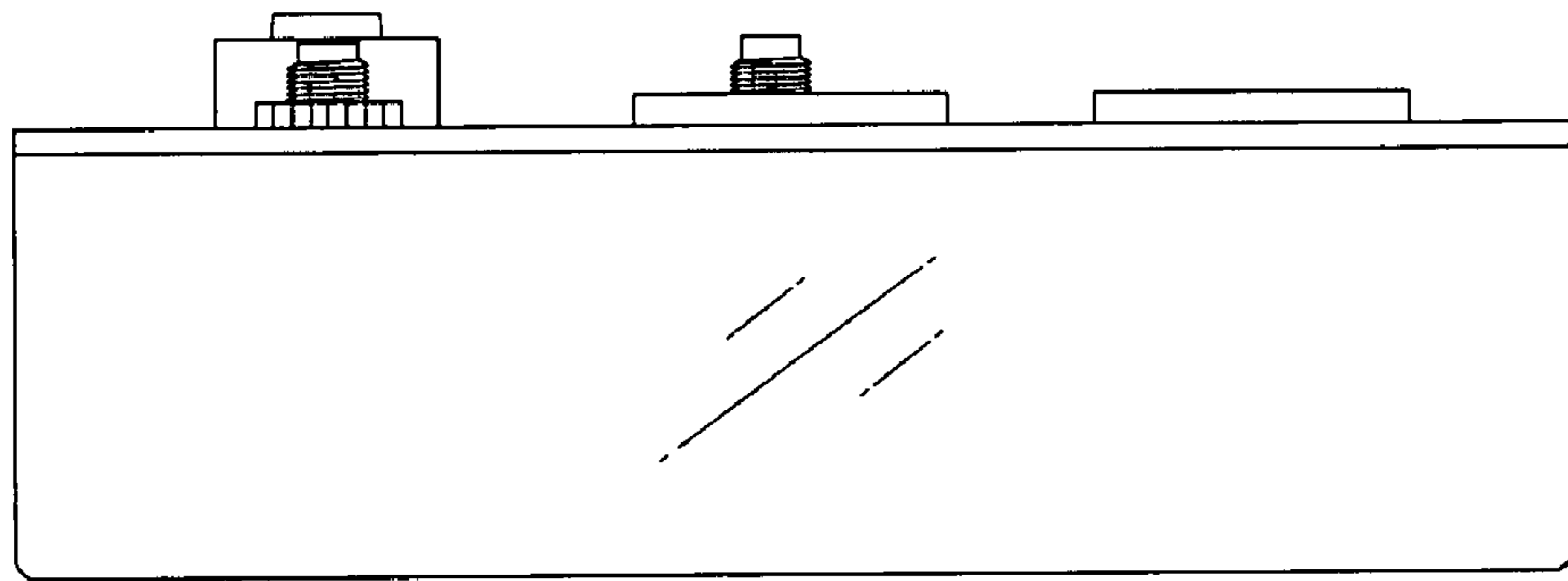


FIG.7