



US00D572191S

(12) **United States Design Patent**
Chen et al.

(10) **Patent No.:** **US D572,191 S**
(45) **Date of Patent:** **** Jul. 1, 2008**

(54) **BATTERY CONNECTOR**

(75) Inventors: **Ming Chiang Chen**, Tu-Cheng (TW);
Ping Chih Chen, Tu-Cheng (TW); **Ze Wei Wang**, Tu-Cheng (TW)

(73) Assignee: **Cheng Uei Precision Industry Co., Ltd.**, Taipei Hsien (TW)

(**) Term: **14 Years**

(21) Appl. No.: **29/287,836**

(22) Filed: **Sep. 25, 2007**

(51) **LOC (8) Cl.** **13-03**

(52) **U.S. Cl.** **D13/120**

(58) **Field of Classification Search** D13/118-121,
D13/133, 146-147, 184, 199; 439/83, 108,
439/166, 500, 577, 630, 660, 680, 700, 773.1,
439/862

See application file for complete search history.

(56) **References Cited**

U.S. PATENT DOCUMENTS

4,869,672 A * 9/1989 Andrews, Jr. 439/60
D359,025 S * 6/1995 Daio et al. D13/133
D409,143 S * 5/1999 Yoshiura D13/133
D419,133 S * 1/2000 Yoshida et al. D13/120
6,805,595 B2 * 10/2004 Kukita et al. 439/862

D503,926 S * 4/2005 Marrs D13/133
D522,454 S * 6/2006 Suzuki et al. D13/121
D555,092 S * 11/2007 Li et al. D13/133
D555,095 S * 11/2007 Ho D13/133
D556,691 S * 12/2007 Shiu D13/148
2004/0121654 A1 * 6/2004 Chao et al. 439/660
2006/0105640 A1 * 5/2006 Vance 439/862

* cited by examiner

Primary Examiner—Cathron Brooks

Assistant Examiner—Rosemary K Tarcza

(74) *Attorney, Agent, or Firm*—Rosenberg, Klein & Lee

(57) **CLAIM**

The ornamental design for a battery connector, as shown and described.

DESCRIPTION

FIG. 1 is a perspective view of a battery connector showing our new design;

FIG. 2 is a front elevational view thereof;

FIG. 3 is a rear elevational view thereof;

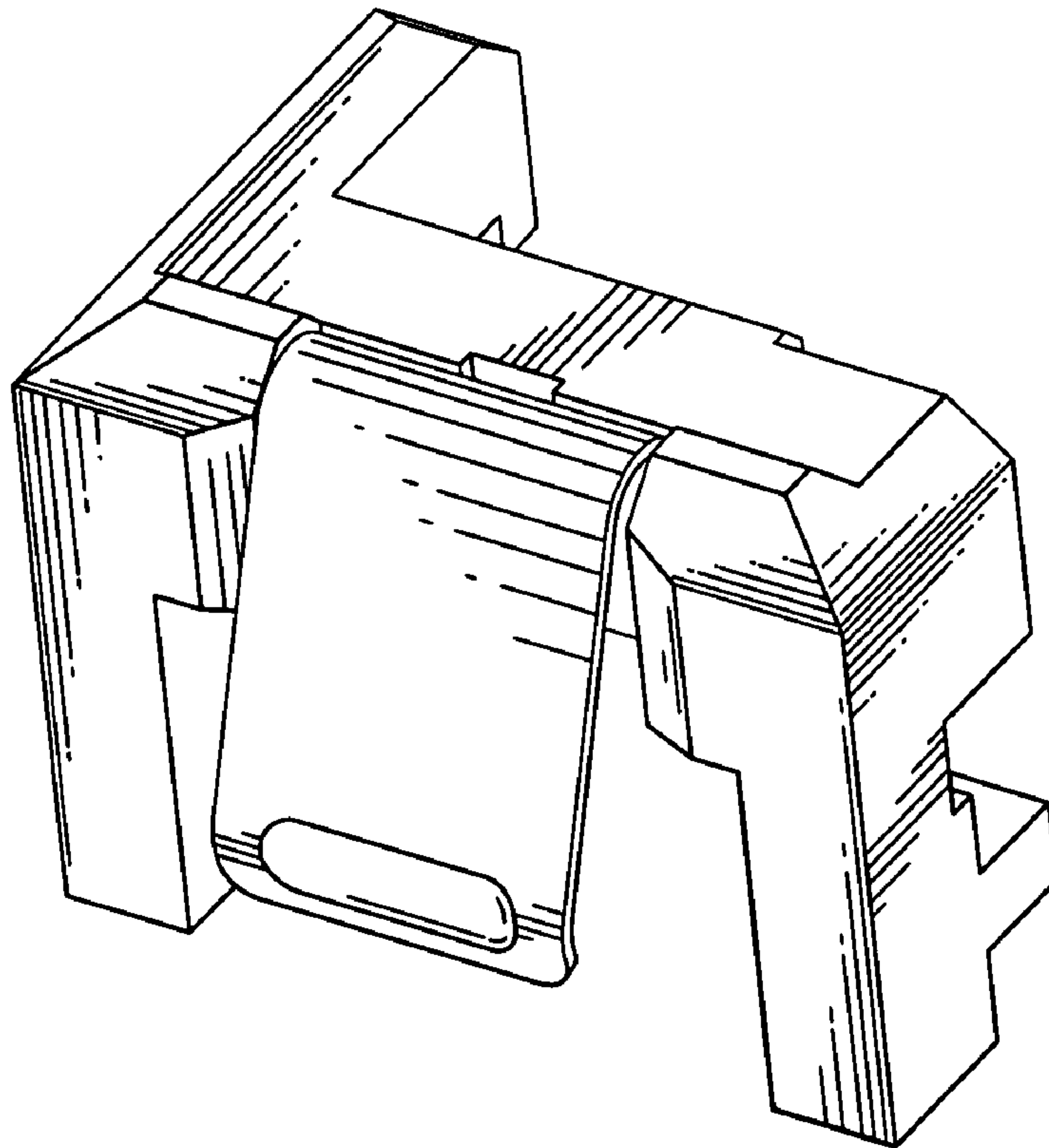
FIG. 4 is a left side elevational view thereof;

FIG. 5 is a right side elevational view thereof;

FIG. 6 is a top plan view thereof; and,

FIG. 7 is a bottom plan view thereof.

1 Claim, 7 Drawing Sheets



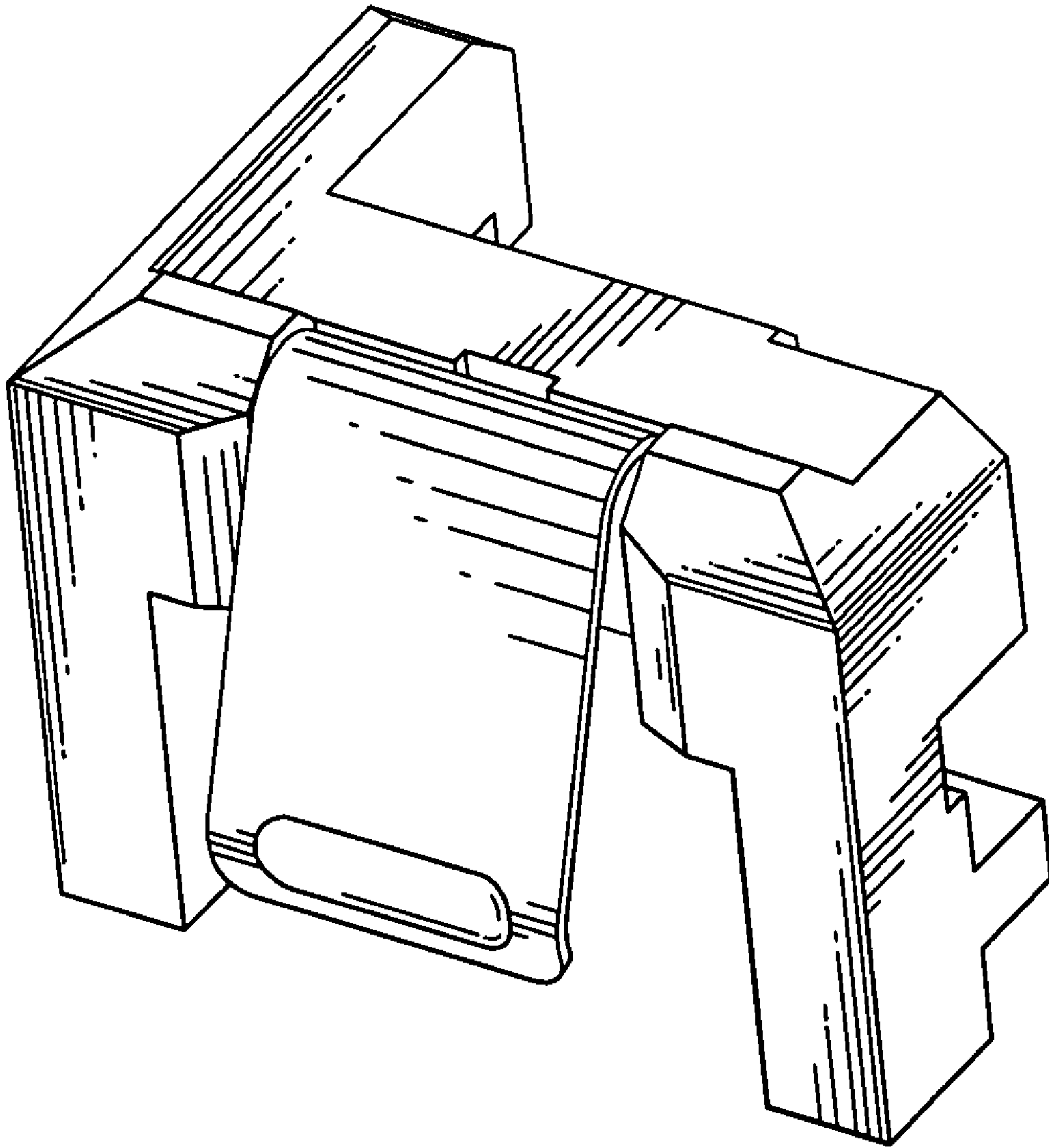


FIG. 1

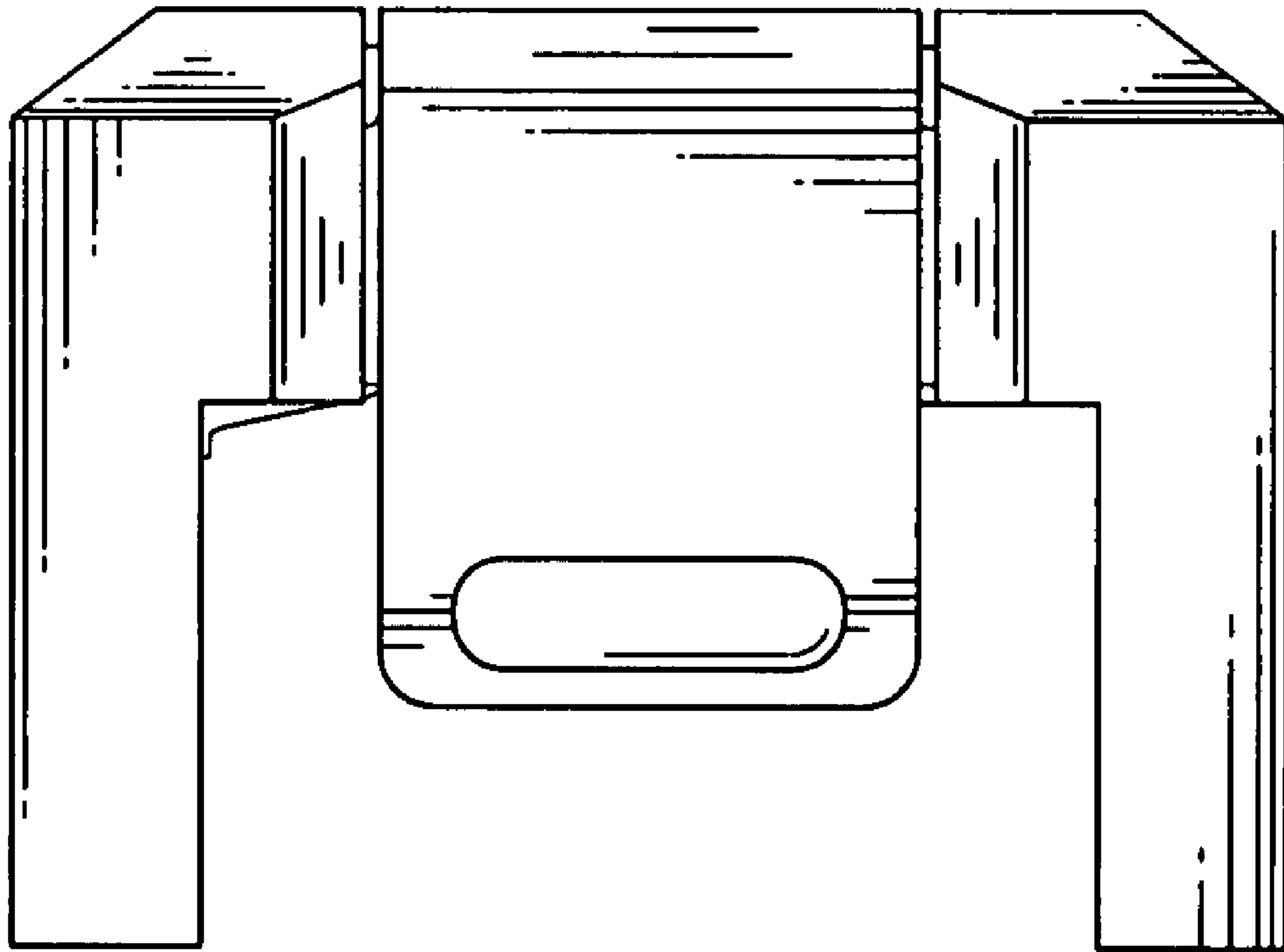


FIG. 2

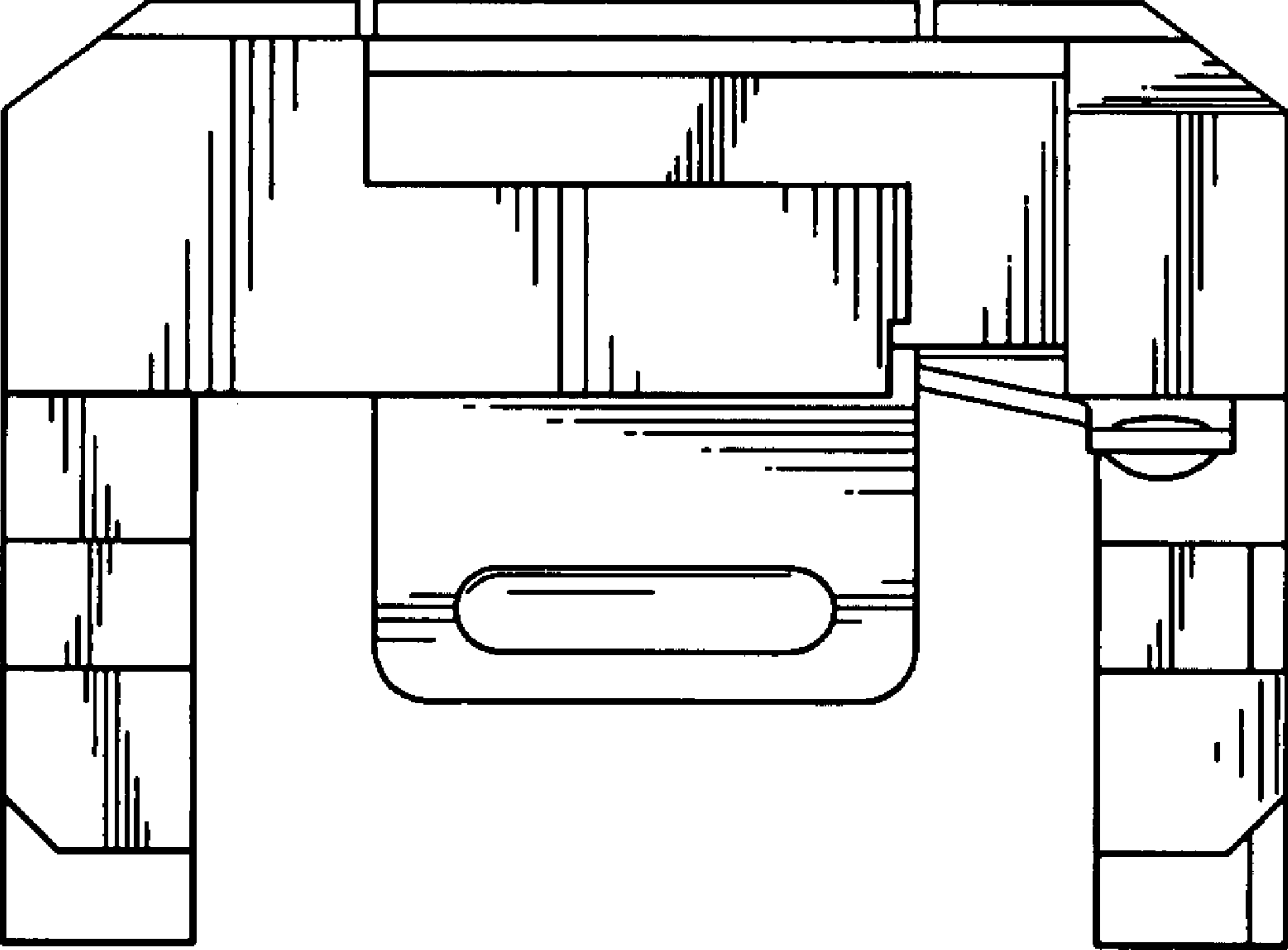


FIG. 3

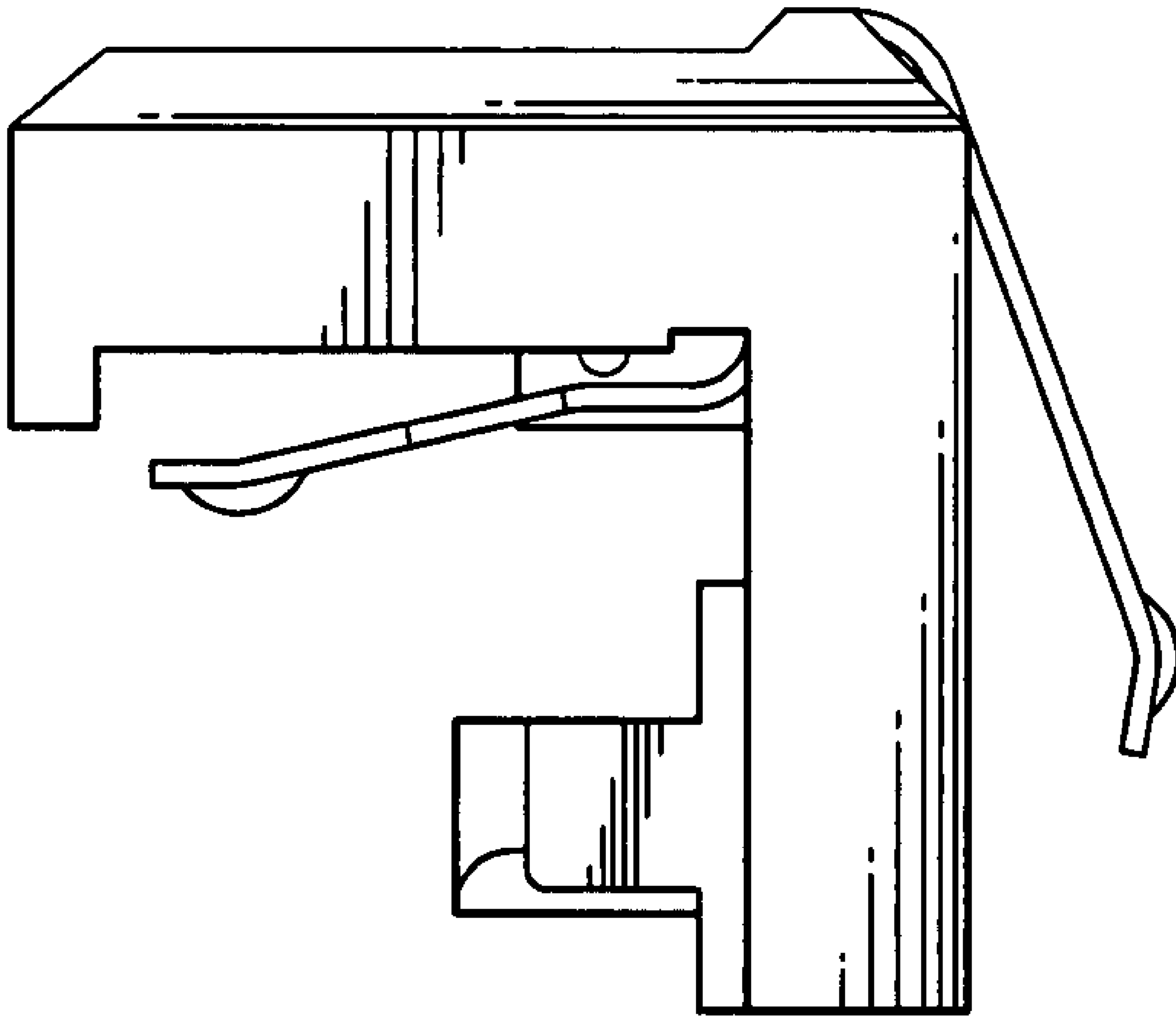


FIG. 4

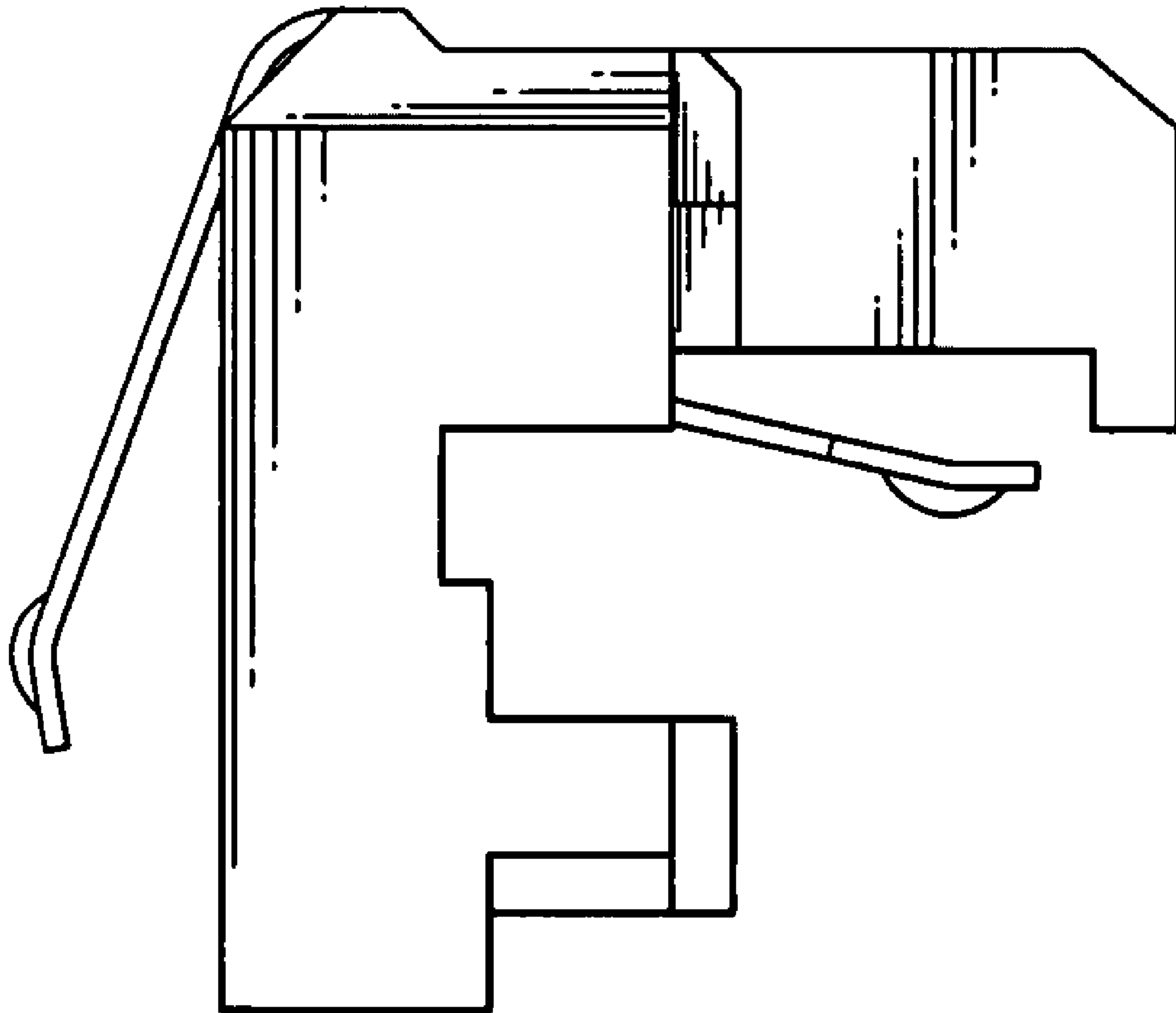


FIG. 5

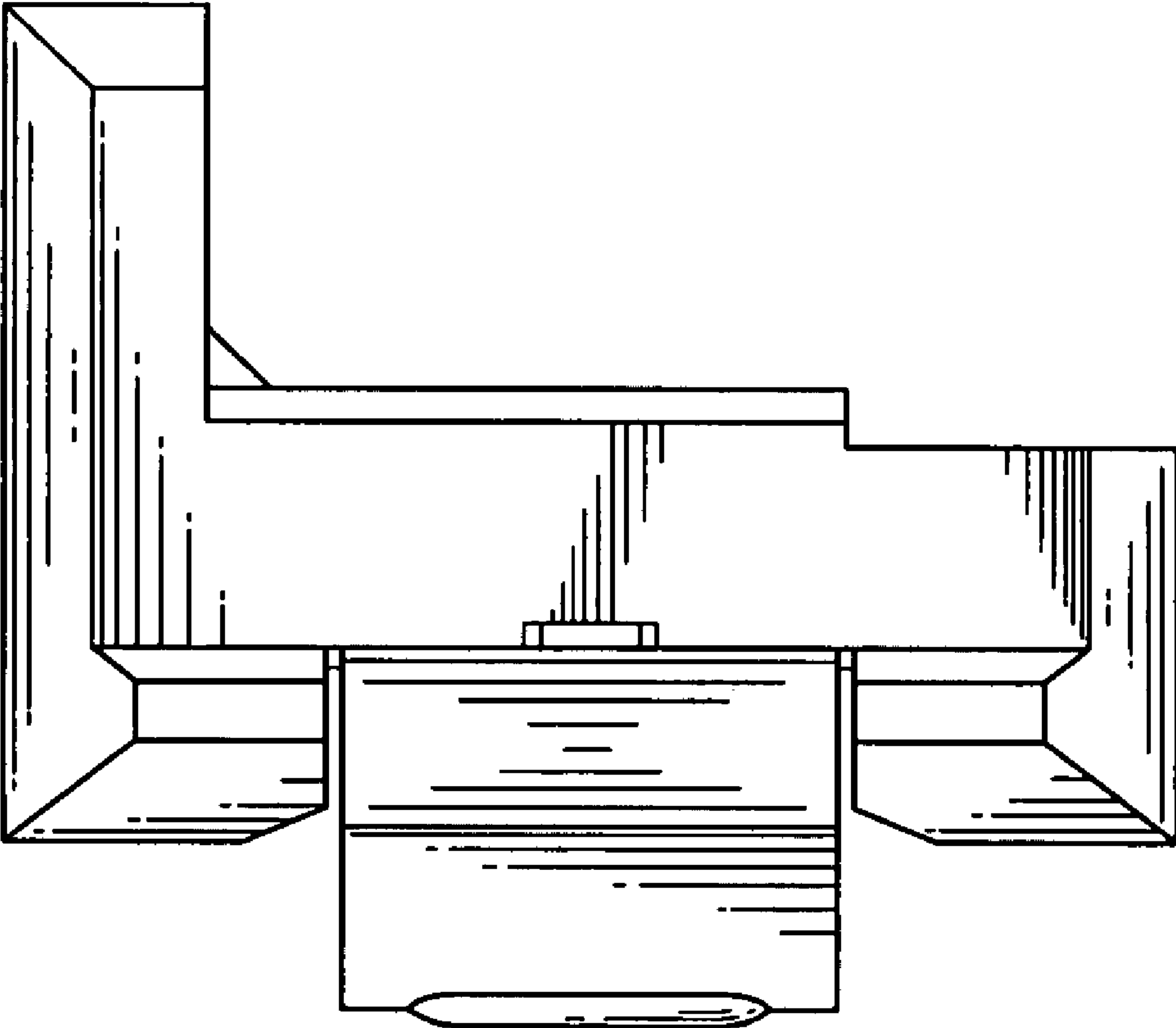


FIG. 6

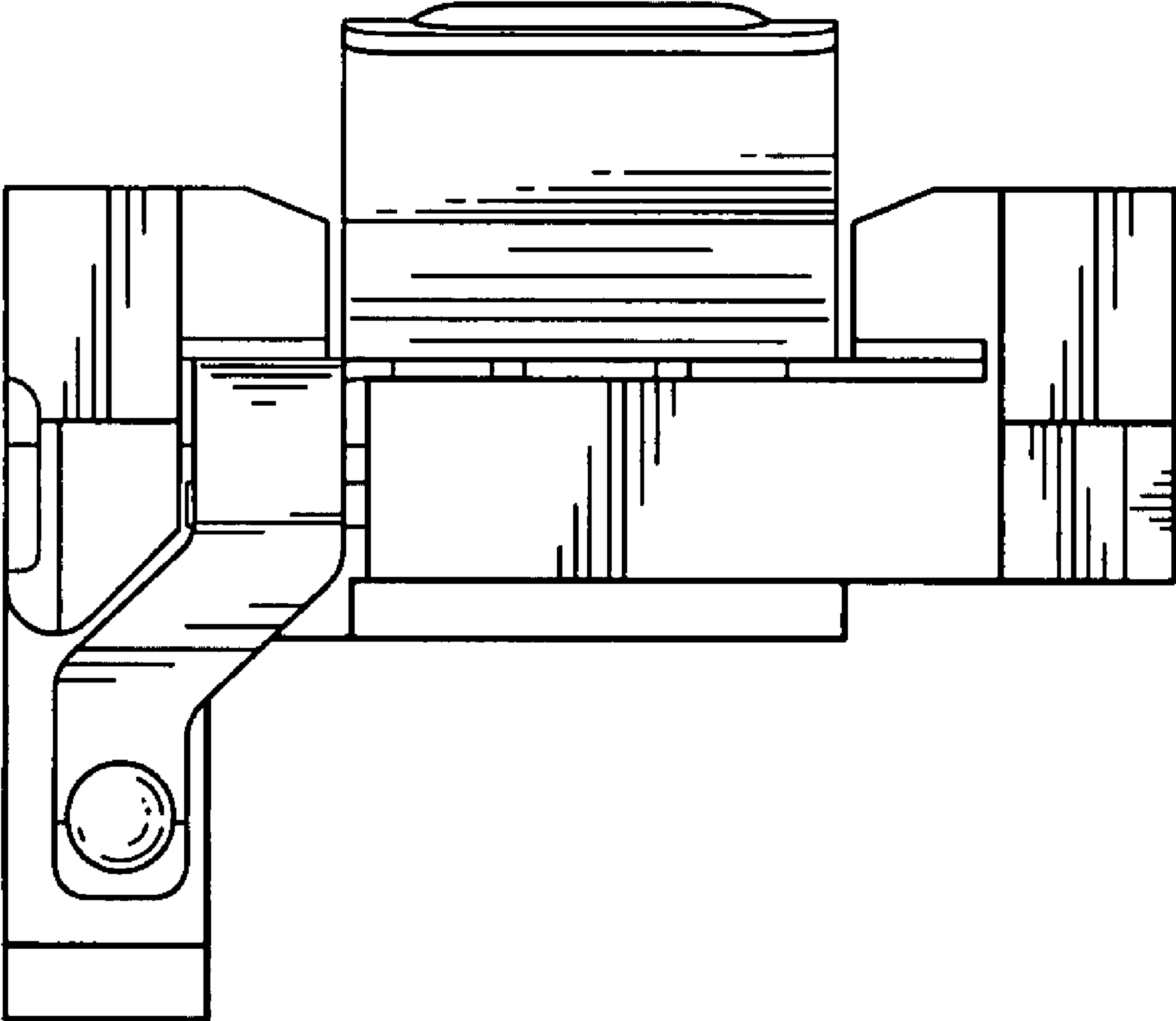


FIG. 7