



US00D572190S

(12) **United States Design Patent**
Chen et al.

(10) **Patent No.:** **US D572,190 S**
(45) **Date of Patent:** **** Jul. 1, 2008**

(54) **BATTERY CONNECTOR**

(75) Inventors: **Ming Chiang Chen**, Tu-Cheng (TW);
Ping Chih Chen, Tu-Cheng (TW); **Ze Wei Wang**, Tu-Cheng (TW)

(73) Assignee: **Cheng Uei Precision Industry Co., Ltd.**, Taipei Hsien (TW)

(**) Term: **14 Years**

(21) Appl. No.: **29/287,835**

(22) Filed: **Sep. 25, 2007**

(51) **LOC (8) Cl.** **13-03**

(52) **U.S. Cl.** **D13/120**

(58) **Field of Classification Search** D13/118-121,
D13/133, 146-147, 184, 199; 439/83, 108,
439/166, 500, 577, 630, 660, 680, 700, 773.1,
439/862

See application file for complete search history.

(56) **References Cited**

U.S. PATENT DOCUMENTS

D316,701 S * 5/1991 Hill D13/120
D344,492 S * 2/1994 Nakamura D13/147

D523,400 S * 6/2006 Shang-Yen et al. D13/147
D523,816 S * 6/2006 Su D13/147
2007/0293081 A1 * 12/2007 Heerlein et al. 439/500

* cited by examiner

Primary Examiner—Cathron Brooks

Assistant Examiner—Rosemary K Tarcza

(74) *Attorney, Agent, or Firm*—Rosenberg, Klein & Lee

(57) **CLAIM**

The ornamental design for a battery connector, as shown and described.

DESCRIPTION

FIG. 1 is a perspective view of a battery connector showing our new design;

FIG. 2 is a front elevational view thereof;

FIG. 3 is a rear elevational view thereof;

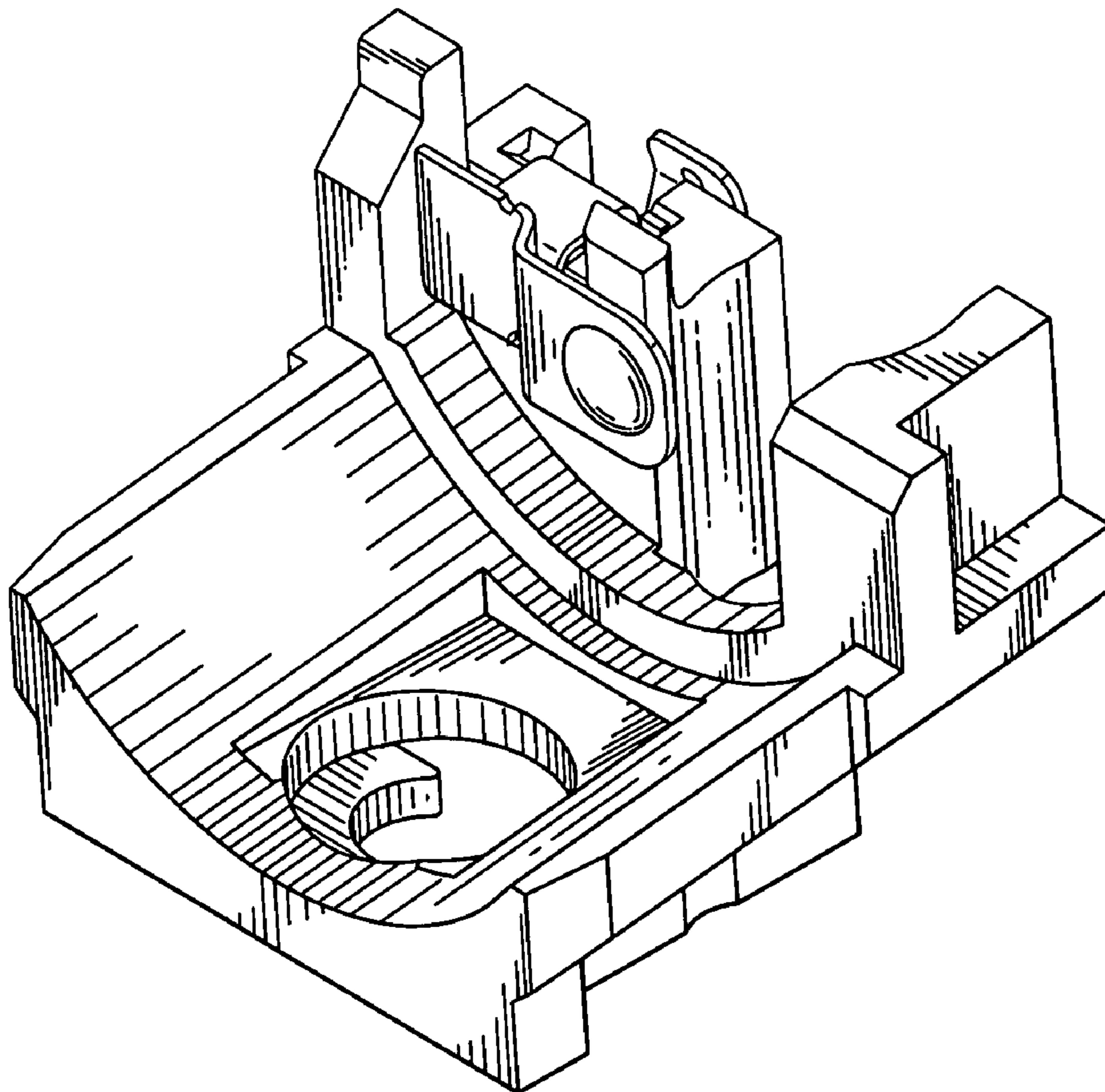
FIG. 4 is a left side elevational view thereof;

FIG. 5 is a right side elevational view thereof;

FIG. 6 is a top plan view thereof; and,

FIG. 7 is a bottom plan view thereof.

1 Claim, 7 Drawing Sheets



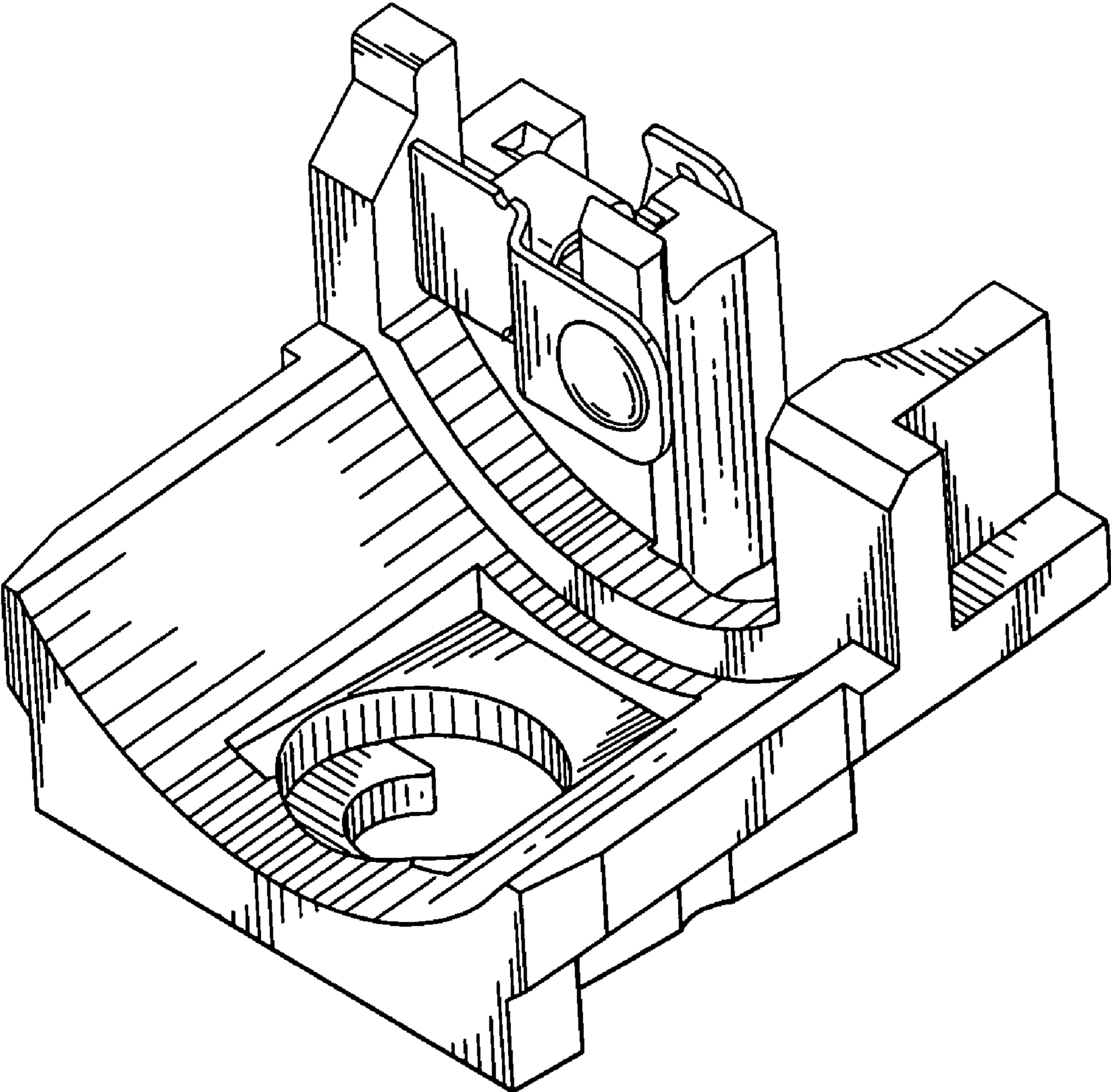


FIG. 1

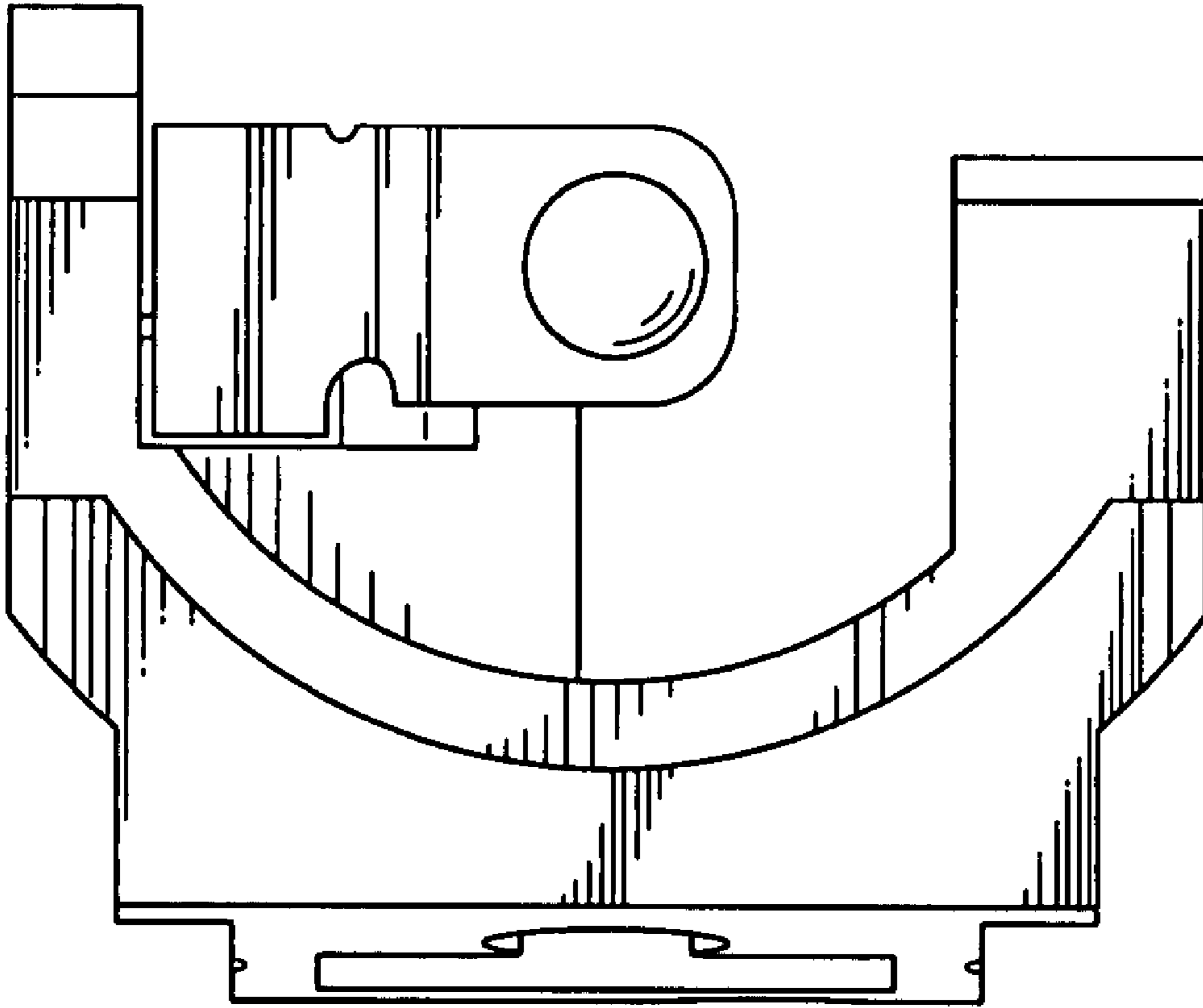


FIG. 2

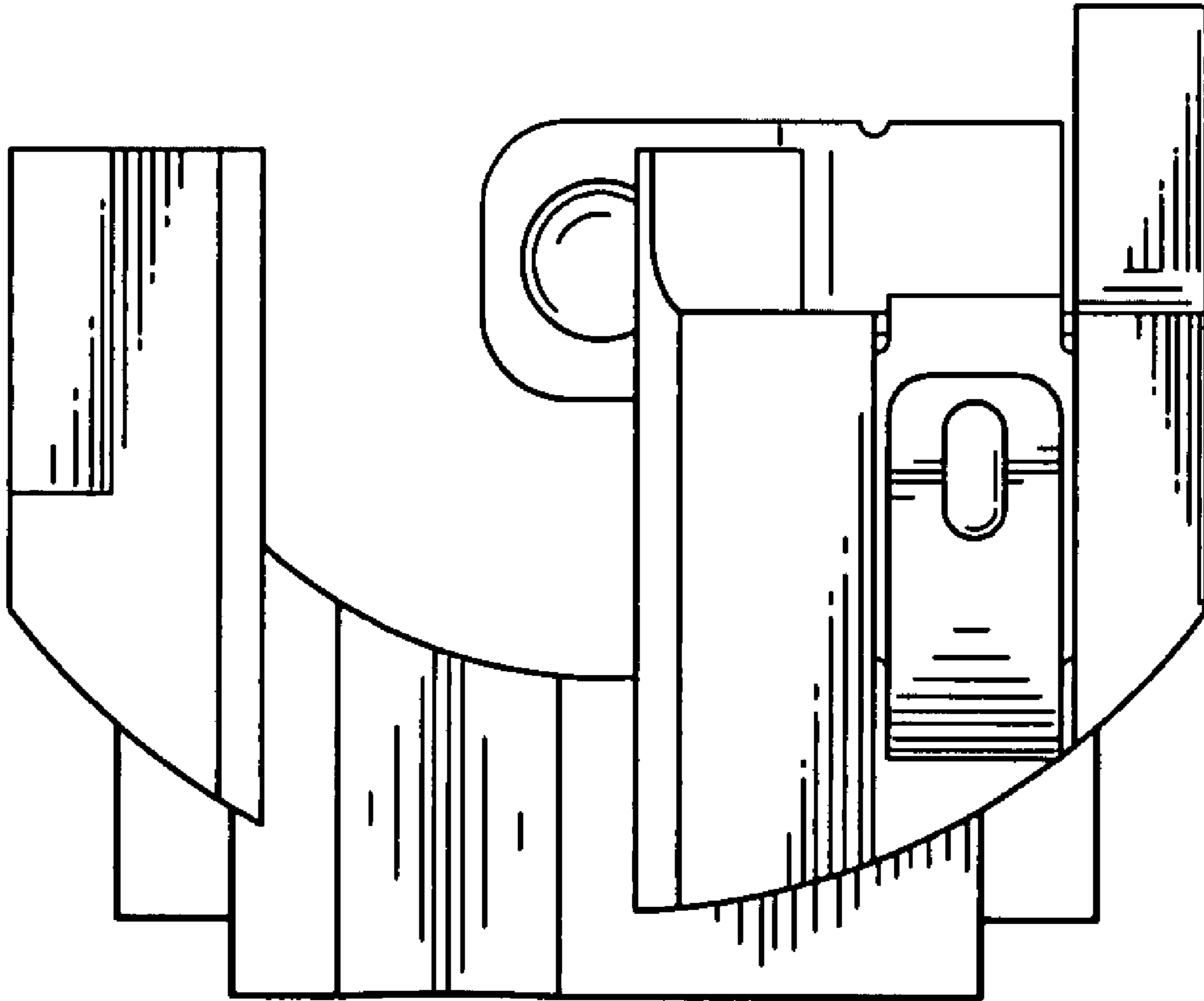


FIG. 3

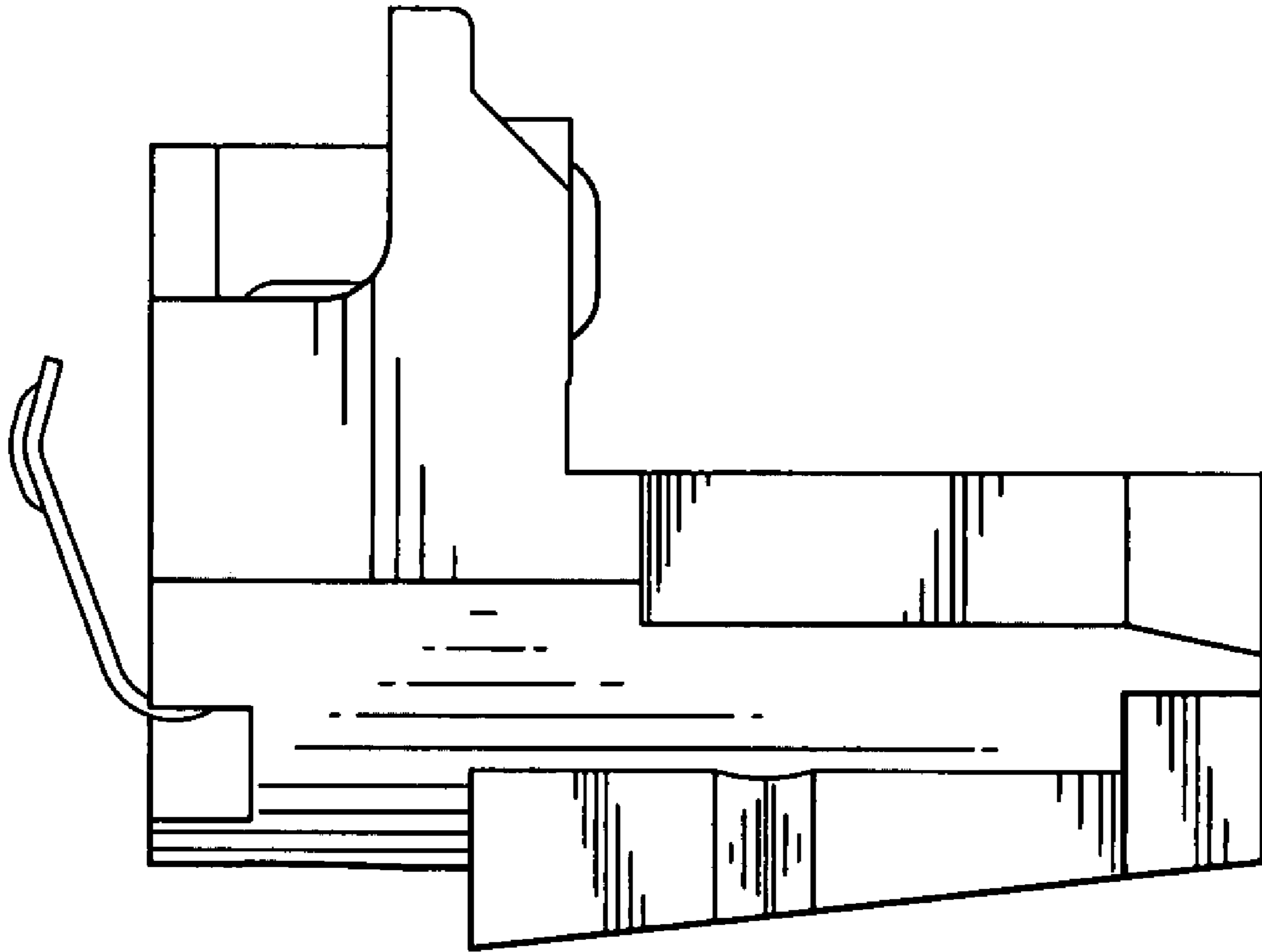


FIG. 4

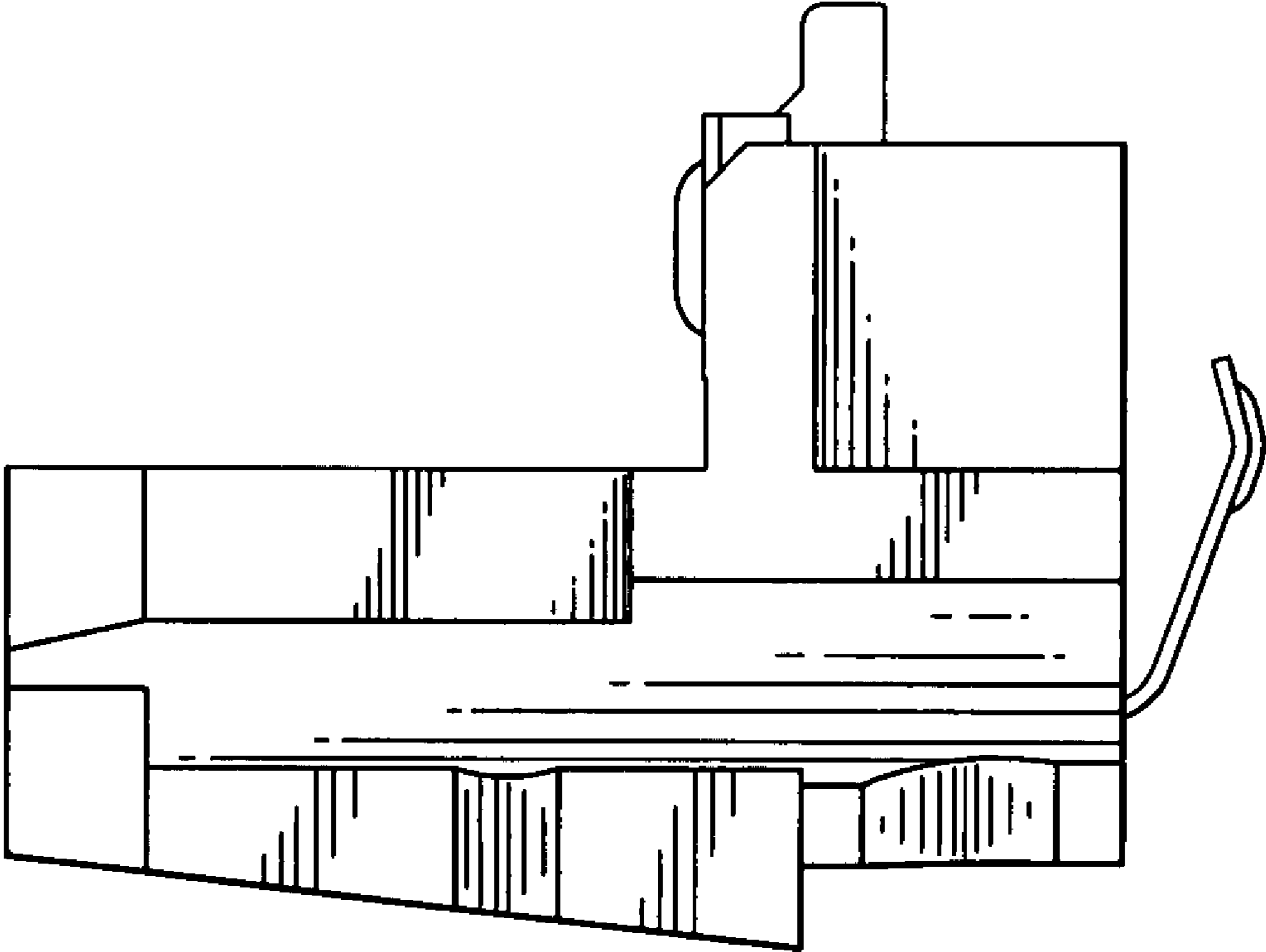


FIG. 5

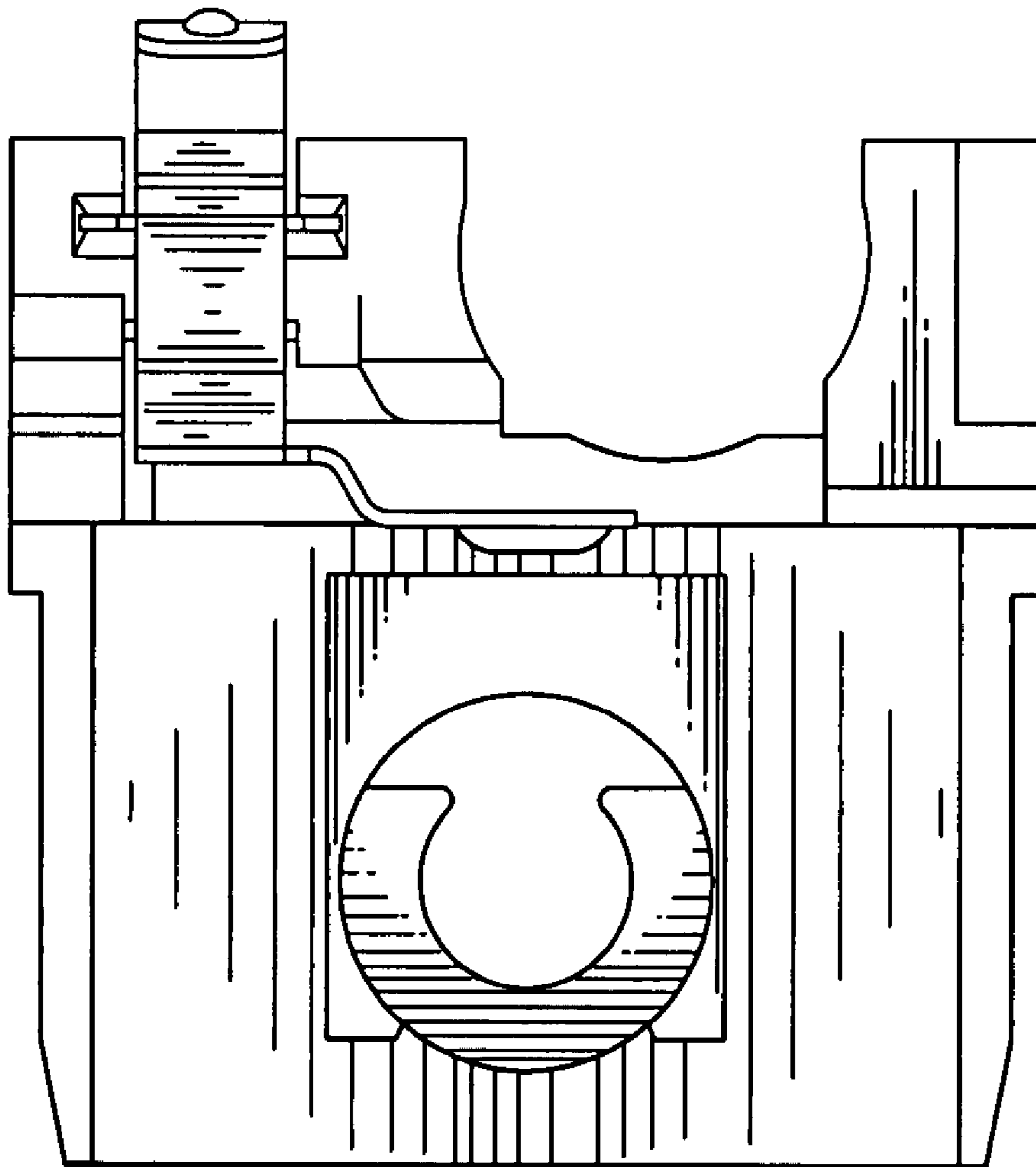


FIG. 6

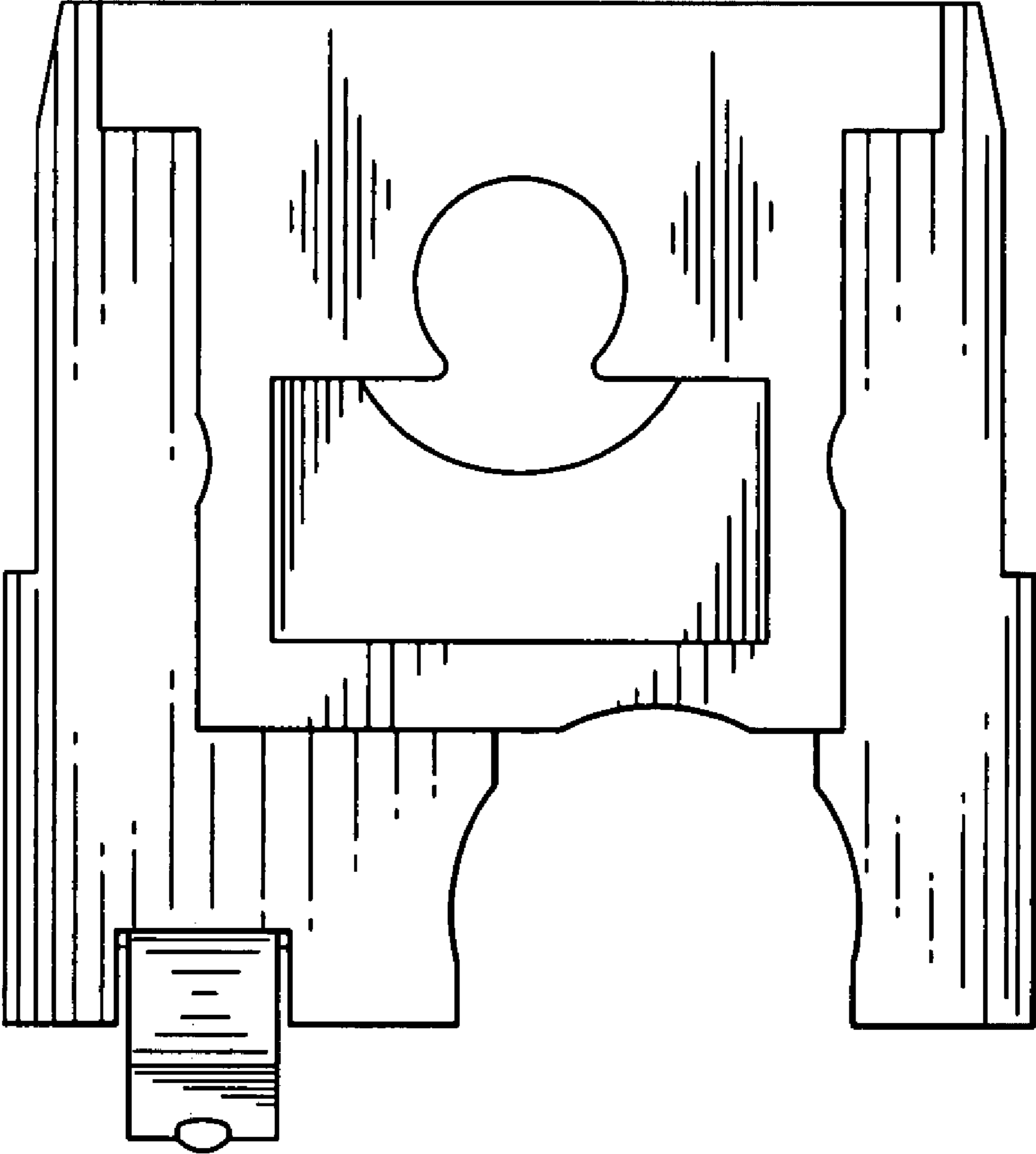


FIG. 7