



US00D572189S

(12) **United States Design Patent**  
**Sarnowsky et al.**

(10) **Patent No.:** **US D572,189 S**  
(45) **Date of Patent:** **\*\* Jul. 1, 2008**

(54) **WIRELESS CHARGING DEVICE**

(75) Inventors: **Melvin J. Sarnowsky**, Livonia, MI (US); **Robert B. Bucciarelli**, Plymouth, MI (US); **Royce D. Channey**, Ann Arbor, MI (US)

(73) Assignee: **Visteon Global Technologies, Inc.**, Van Buren Township, MI (US)

(\*\*) Term: **14 Years**

(21) Appl. No.: **29/295,422**

(22) Filed: **Sep. 28, 2007**

(51) **LOC (8) Cl.** ..... **13-02**

(52) **U.S. Cl.** ..... **D13/108**

(58) **Field of Classification Search** ..... D13/107-110,  
D13/118-119, 184; D14/251, 253, 432,  
D14/434; 320/107-115

See application file for complete search history.

(56) **References Cited**

**U.S. PATENT DOCUMENTS**

D360,723 S *	7/1995	Kasai et al. ....	D32/73
D363,917 S *	11/1995	Kanou et al. ....	D13/108
D421,443 S *	3/2000	Nagele et al. ....	D14/253
D455,397 S *	4/2002	Weiner et al. ....	D13/108
D456,351 S *	4/2002	Yoneda ..... ..	D13/108
D510,208 S *	10/2005	Klimas ..... ..	D6/466
D516,023 S *	2/2006	Quinn ..... ..	D13/108
D525,193 S *	7/2006	Vu ..... ..	D13/108
D530,274 S *	10/2006	Rabie et al. ....	D13/108
D551,617 S *	9/2007	Houghton ..... ..	D13/108

D553,106 S *	10/2007	Griffin ..... ..	D14/434
2005/0007067 A1	1/2005	Baarman et al.	
2006/0087282 A1	4/2006	Baarman et al.	
2007/0046254 A1 *	3/2007	Chen et al. ....	320/107

**OTHER PUBLICATIONS**

Paradiso, Joseph A., Systems for Human-Powered Mobile Computing, Responsive Environments Group—MIT Media Laboratory E15-327, Jul. 24-28, 2006, pp. 645-650.

\* cited by examiner

*Primary Examiner*—Cathron Brooks

*Assistant Examiner*—Rosemary K Tarcza

(74) *Attorney, Agent, or Firm*—Dickinson Wright PLLC

(57) **CLAIM**

The ornamental design for the wireless charging device, as shown and described.

**DESCRIPTION**

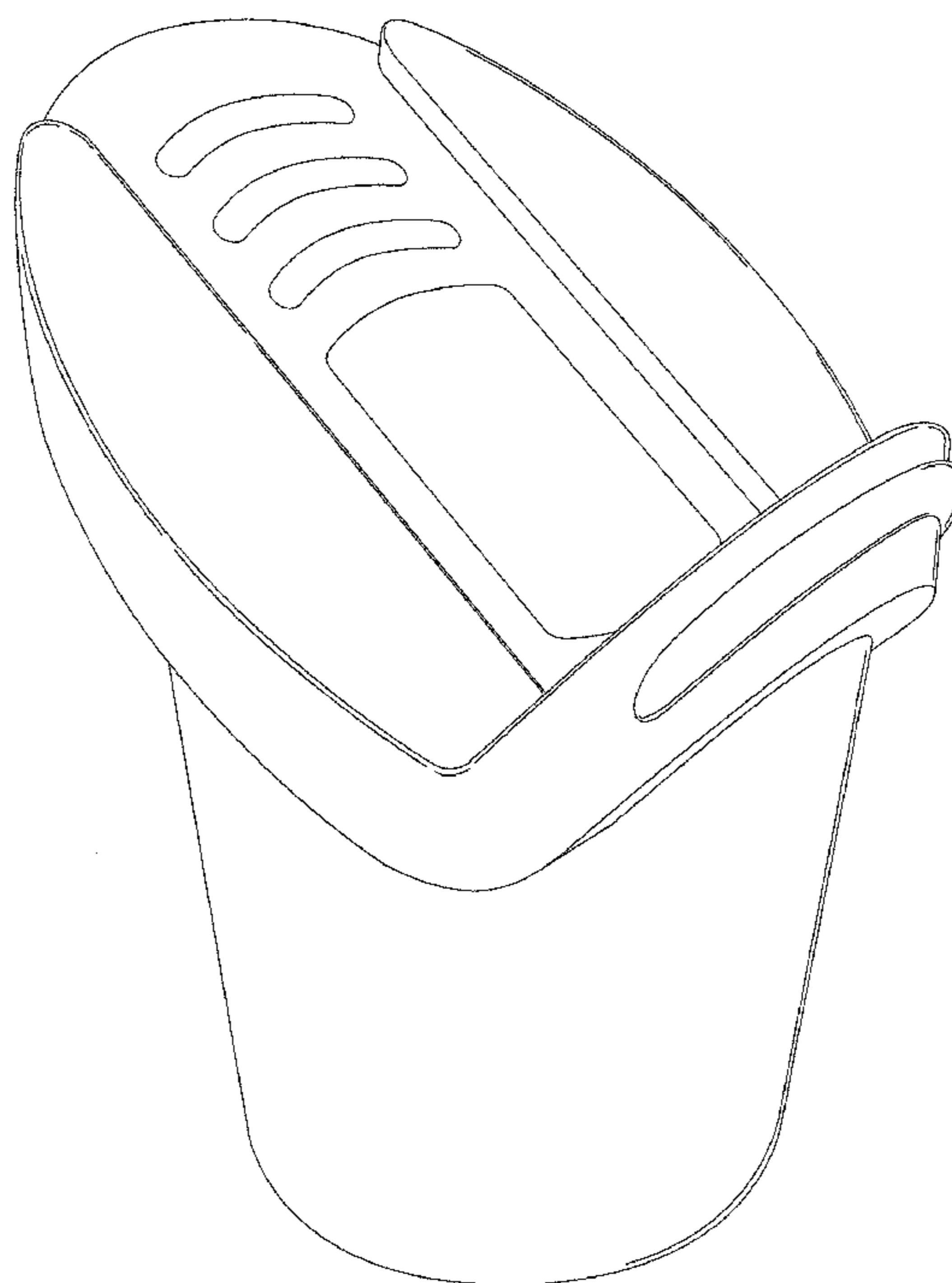
FIG. 1 is a perspective view of the wireless charging device; FIG. 2 is a left elevational view of the wireless charging device, the right elevational view being a mirror image thereof;

FIG. 3 is a front elevational view of the wireless charging device;

FIG. 4 is a rear elevational view of the wireless charging device;

FIG. 5 is a top plan view of the wireless charging device; and, FIG. 6 is a bottom plan view of the wireless charging device.

**1 Claim, 4 Drawing Sheets**



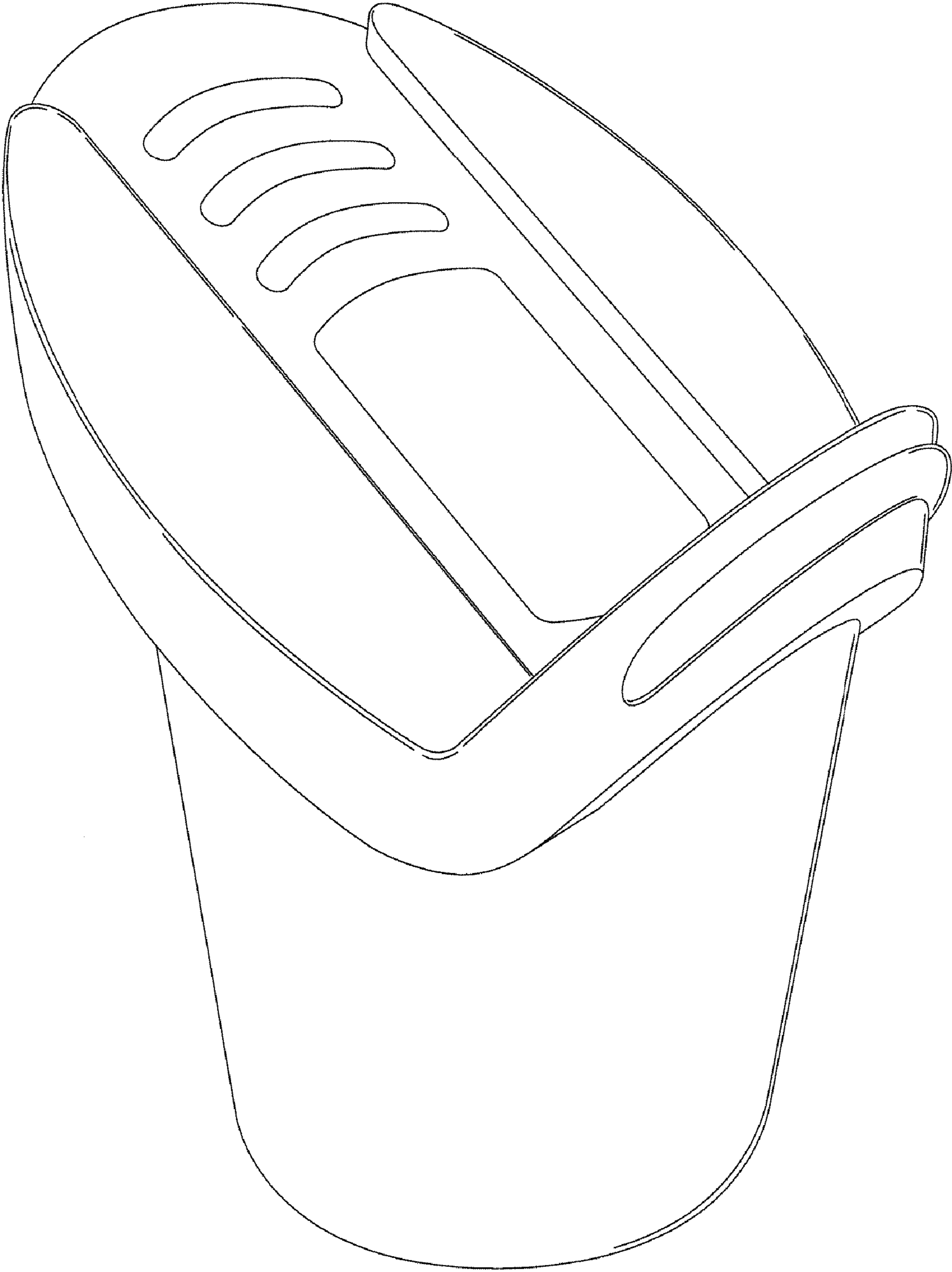


Fig. 1

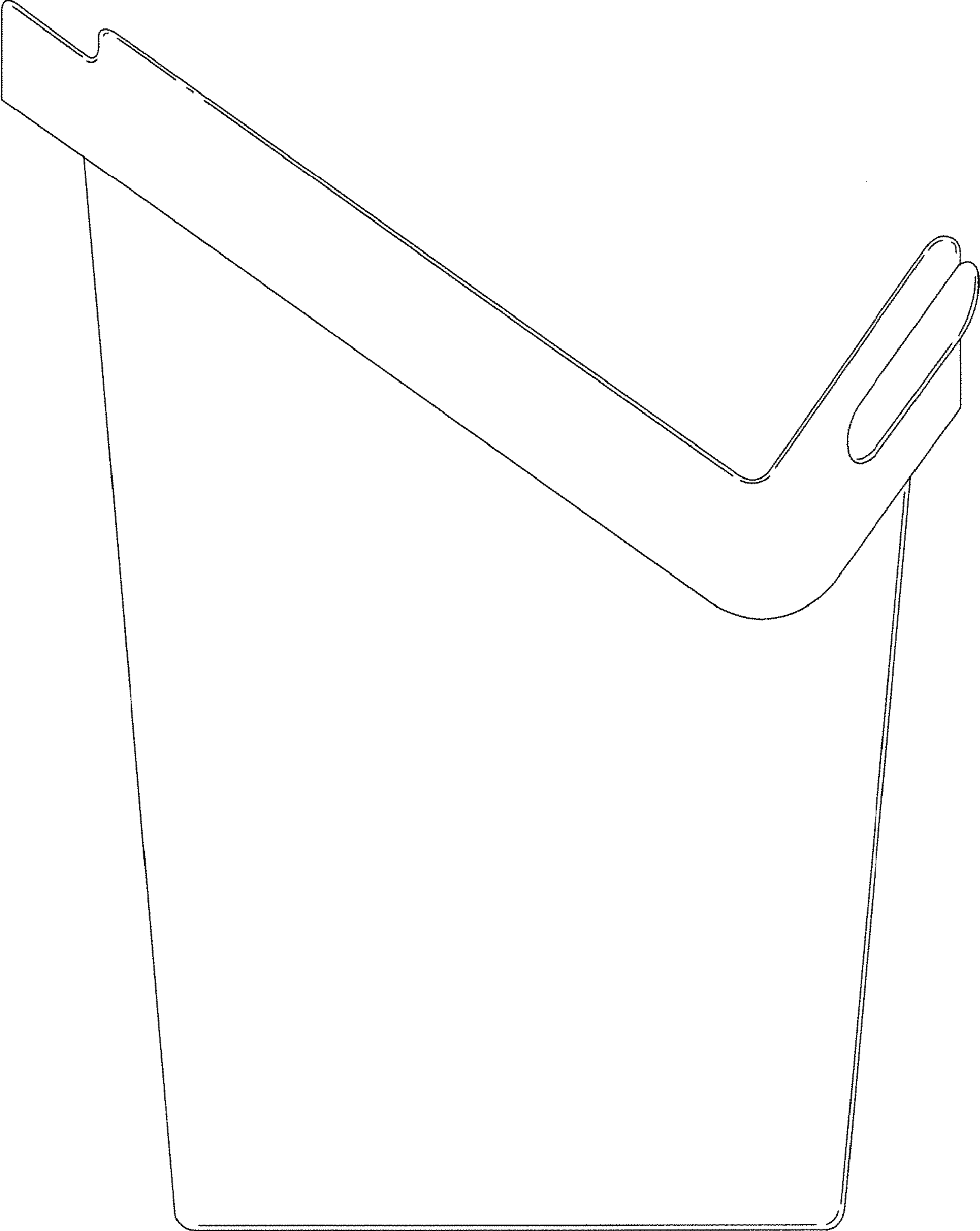


Fig. 2

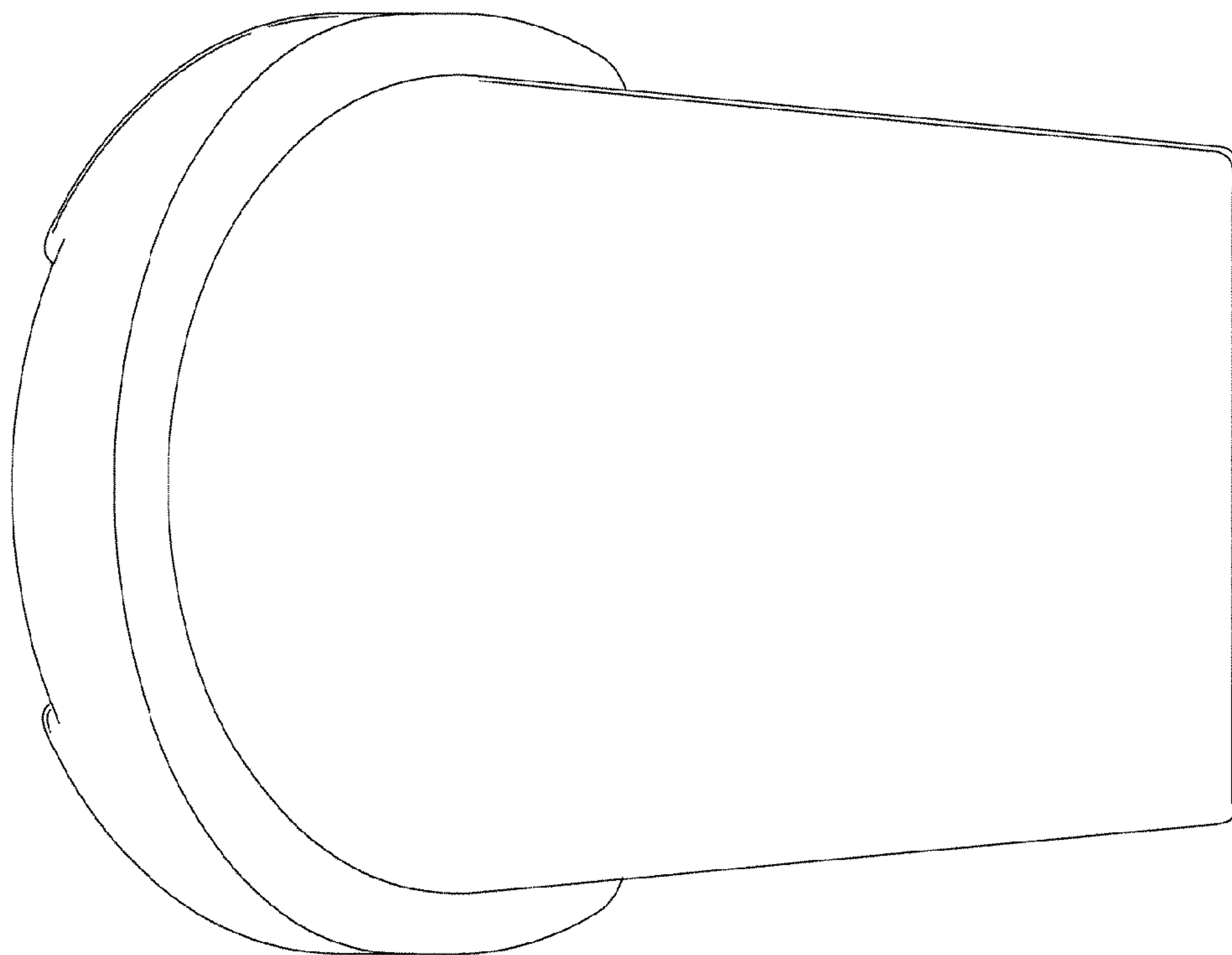


Fig. 4

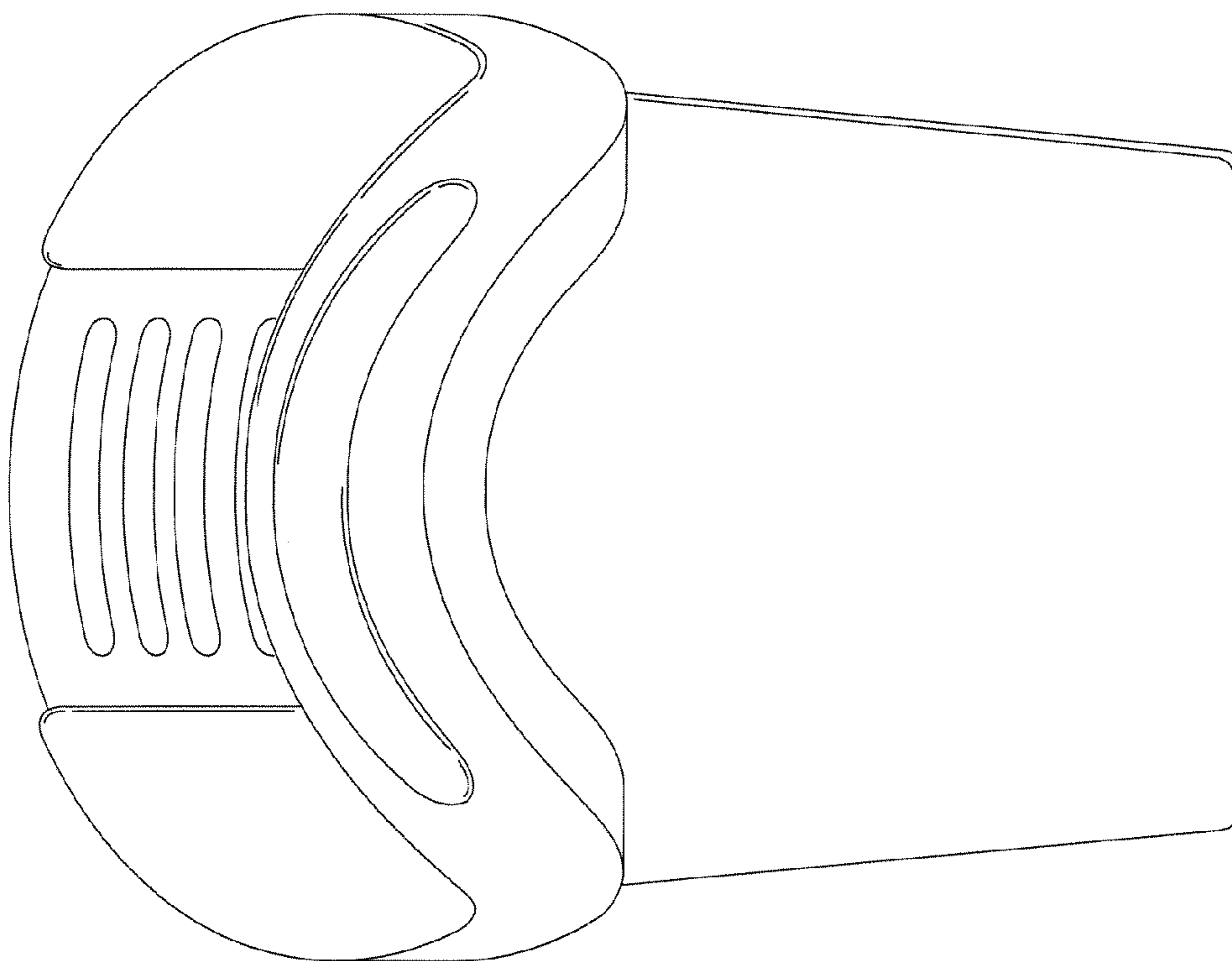


Fig. 3

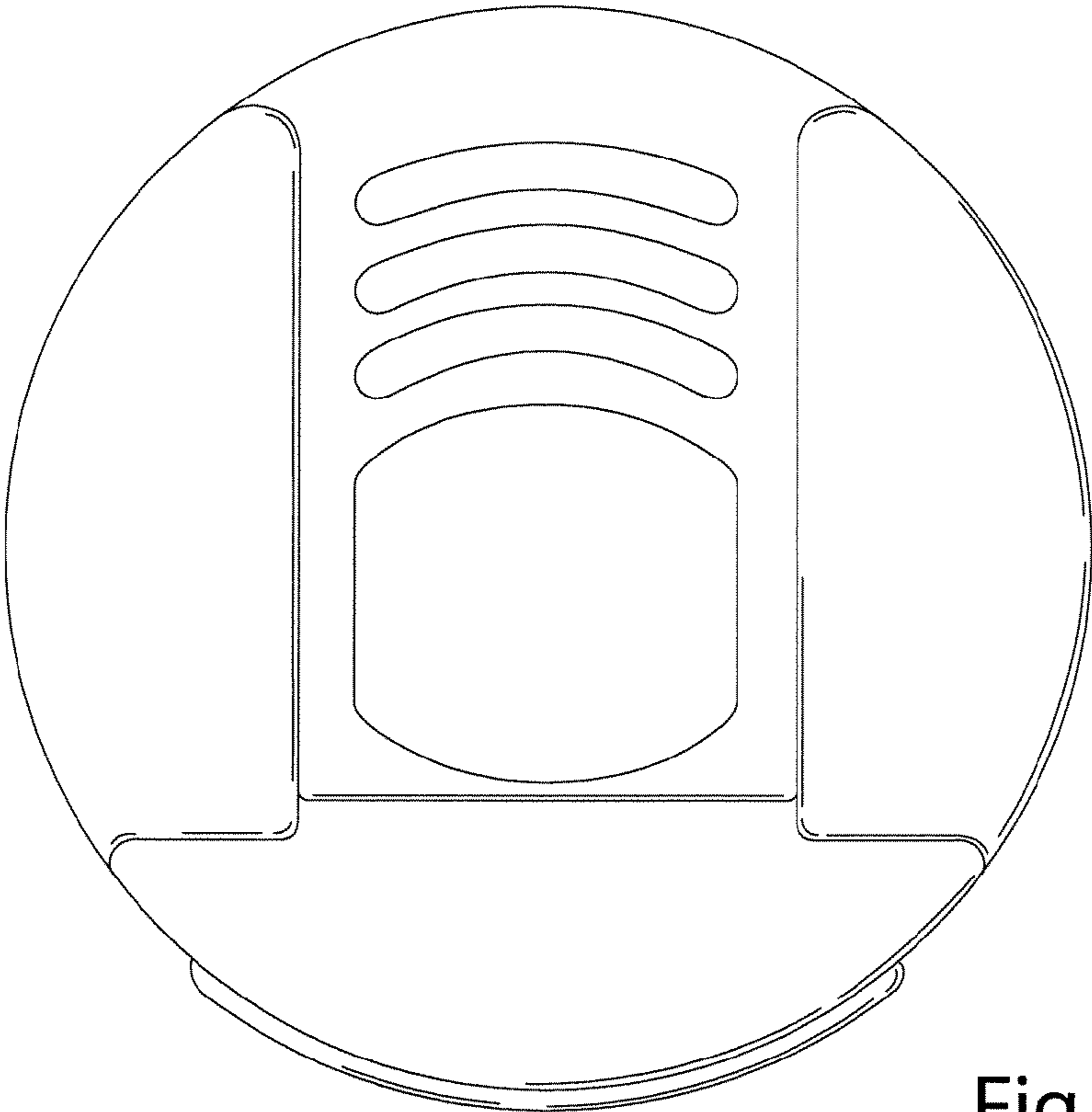


Fig. 5

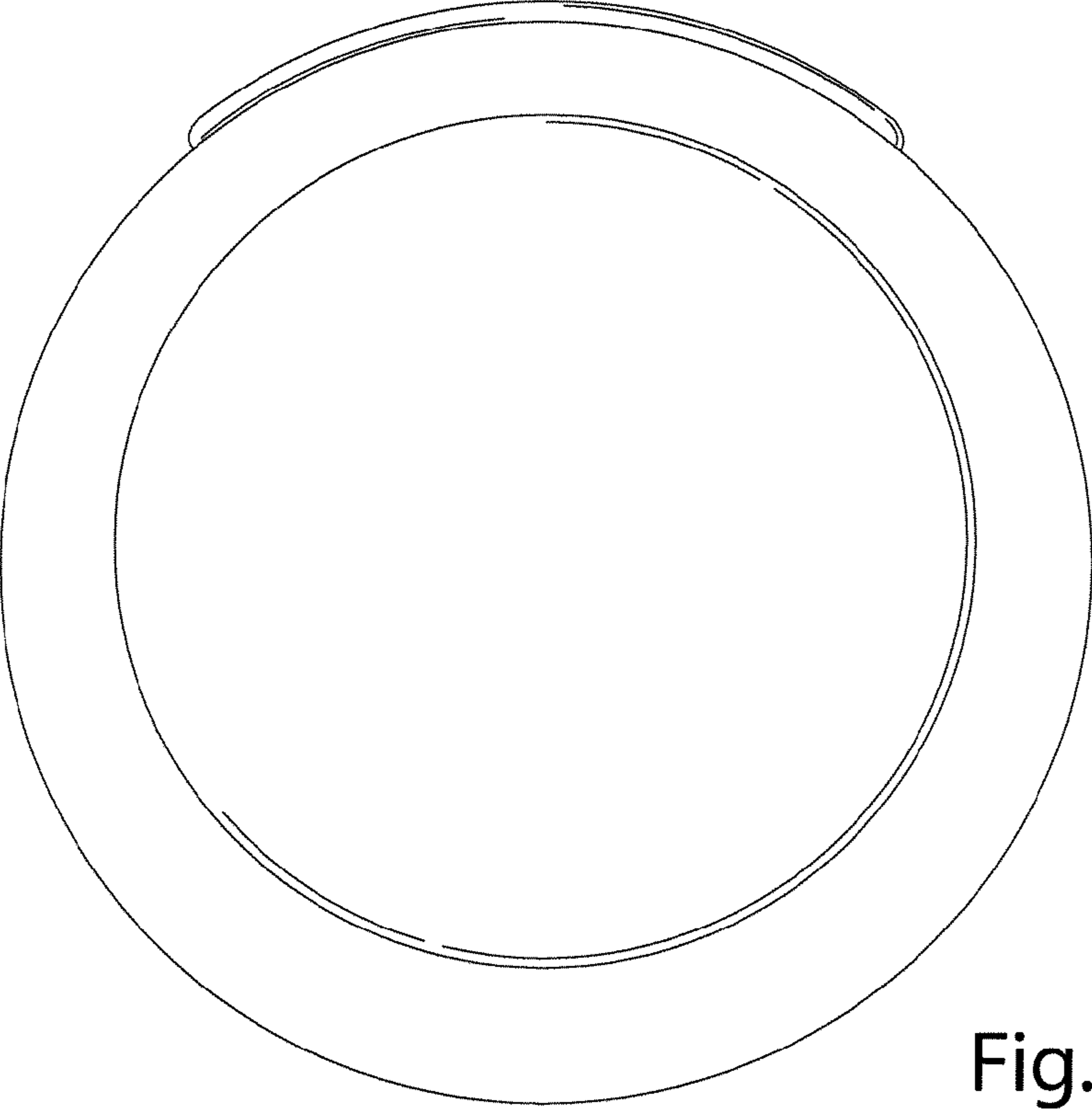


Fig. 6