



US00D572188S

(12) **United States Design Patent**
Prat-Pfister

(10) **Patent No.:** **US D572,188 S**
(45) **Date of Patent:** **** Jul. 1, 2008**

(54) **STAND FOR SHAVER**

(75) Inventor: **Gael Prat-Pfister**, Amersfoort (NL)

(73) Assignee: **Koninklijke Philips Electronics N. V.**,
Eindhoven (NL)

(**) Term: **14 Years**

(21) Appl. No.: **29/284,890**

(22) Filed: **Sep. 18, 2007**

(30) **Foreign Application Priority Data**

Mar. 22, 2007 (EM) 000693197

(51) **LOC (8) Cl.** **13-02**

(52) **U.S. Cl.** **D13/108**

(58) **Field of Classification Search** D13/107-108;
D6/526; 320/107-115; 206/208, 210; 211/13.1;
248/309.1

See application file for complete search history.

(56) **References Cited**

U.S. PATENT DOCUMENTS

D423,845 S * 5/2000 Coffin et al. D6/526

D554,116 S * 10/2007 Liu et al. D13/108

D559,485 S * 1/2008 Fjellman D13/108

D563,868 S * 3/2008 Christopher et al. D13/108

* cited by examiner

Primary Examiner—Brian N Vinson

(57) **CLAIM**

The ornamental design for a stand for shaver, as shown.

DESCRIPTION

FIG. 1 is a perspective view showing my design;

FIG. 2 is a front elevational view thereof;

FIG. 3 is a rear elevational view thereof;

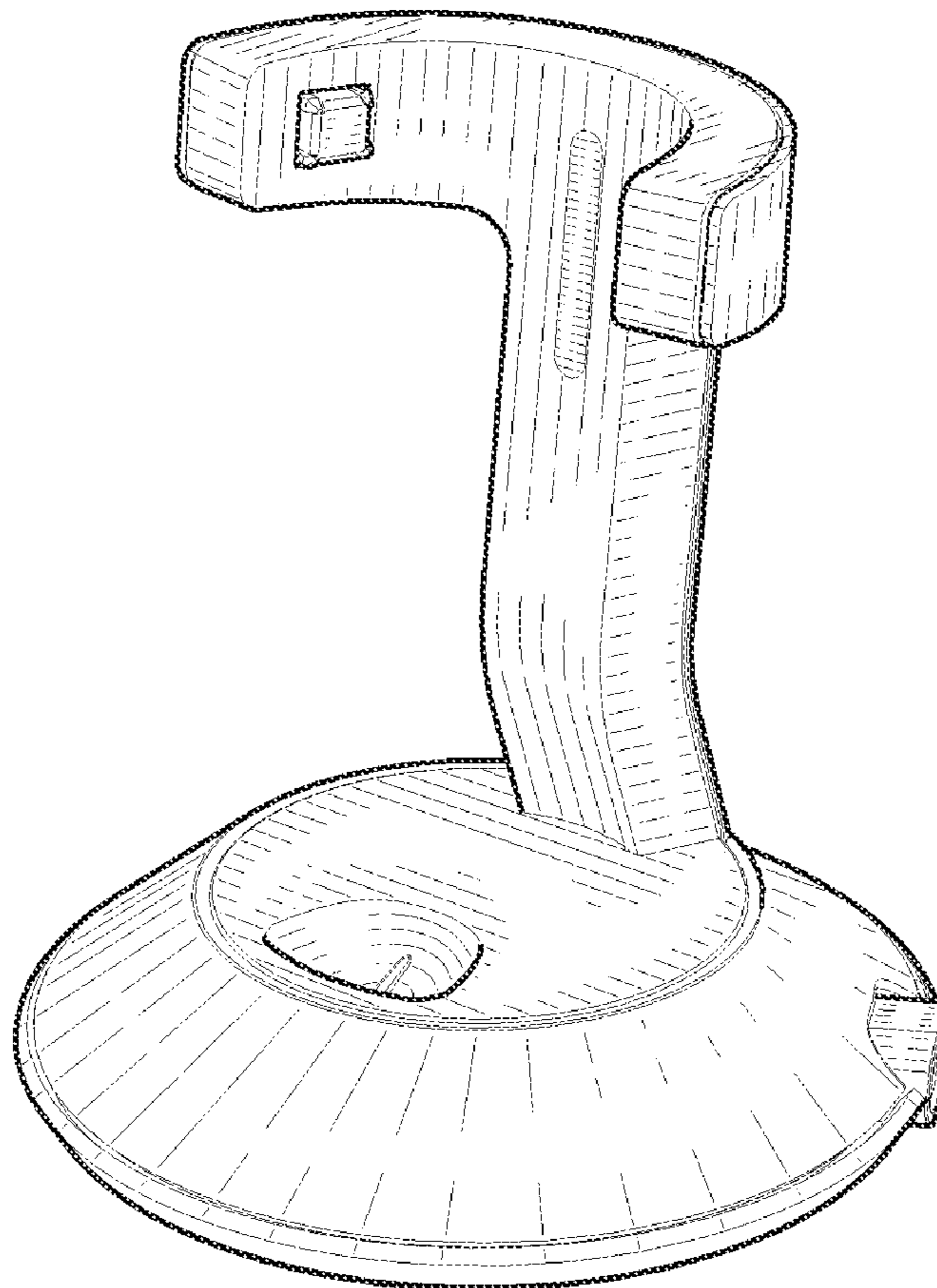
FIG. 4 is a right side elevational view thereof;

FIG. 5 is a left side elevational view thereof;

FIG. 6 is a top plan view thereof; and,

FIG. 7 is a bottom plan view thereof.

1 Claim, 4 Drawing Sheets



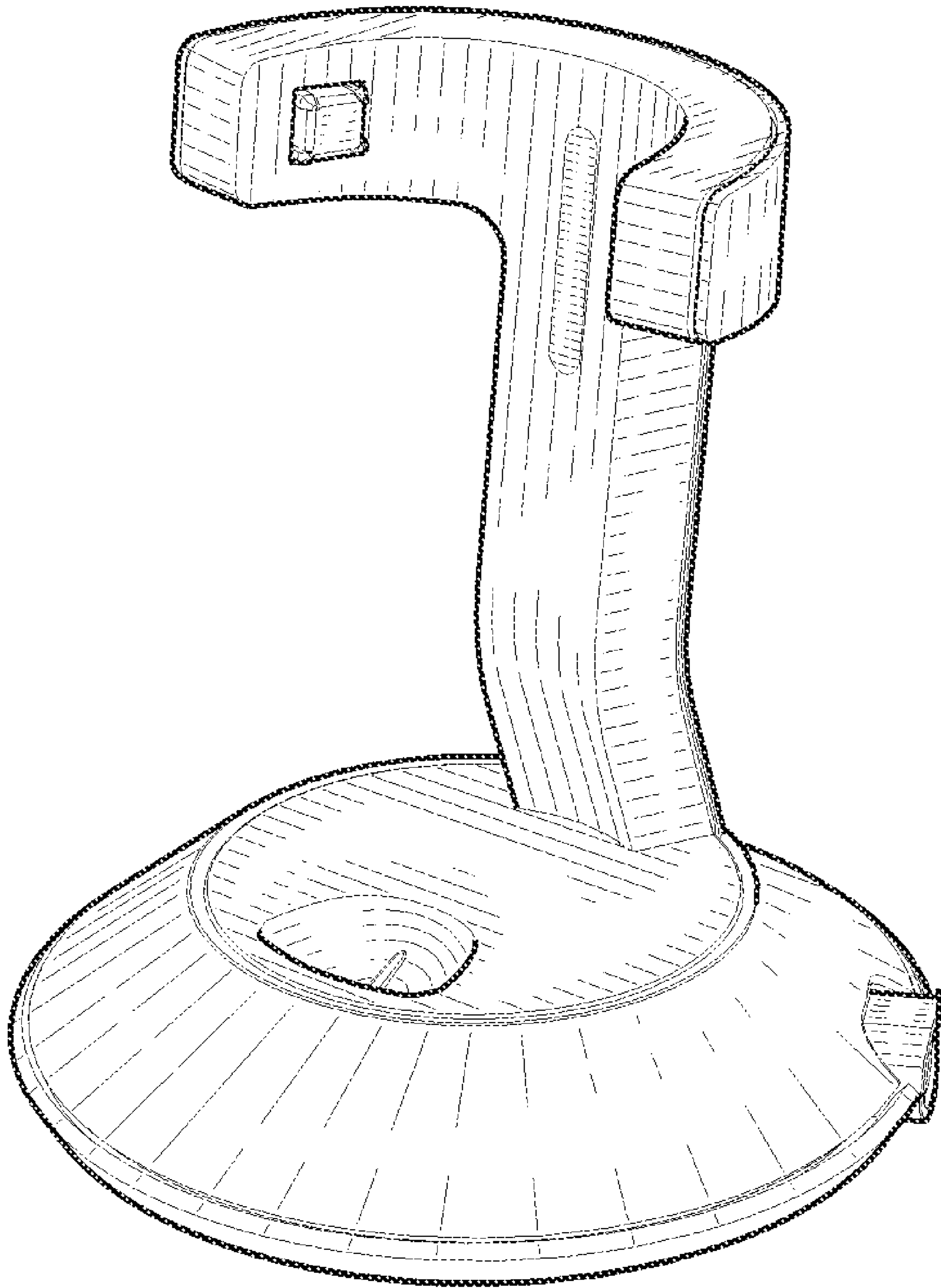


FIG. 1

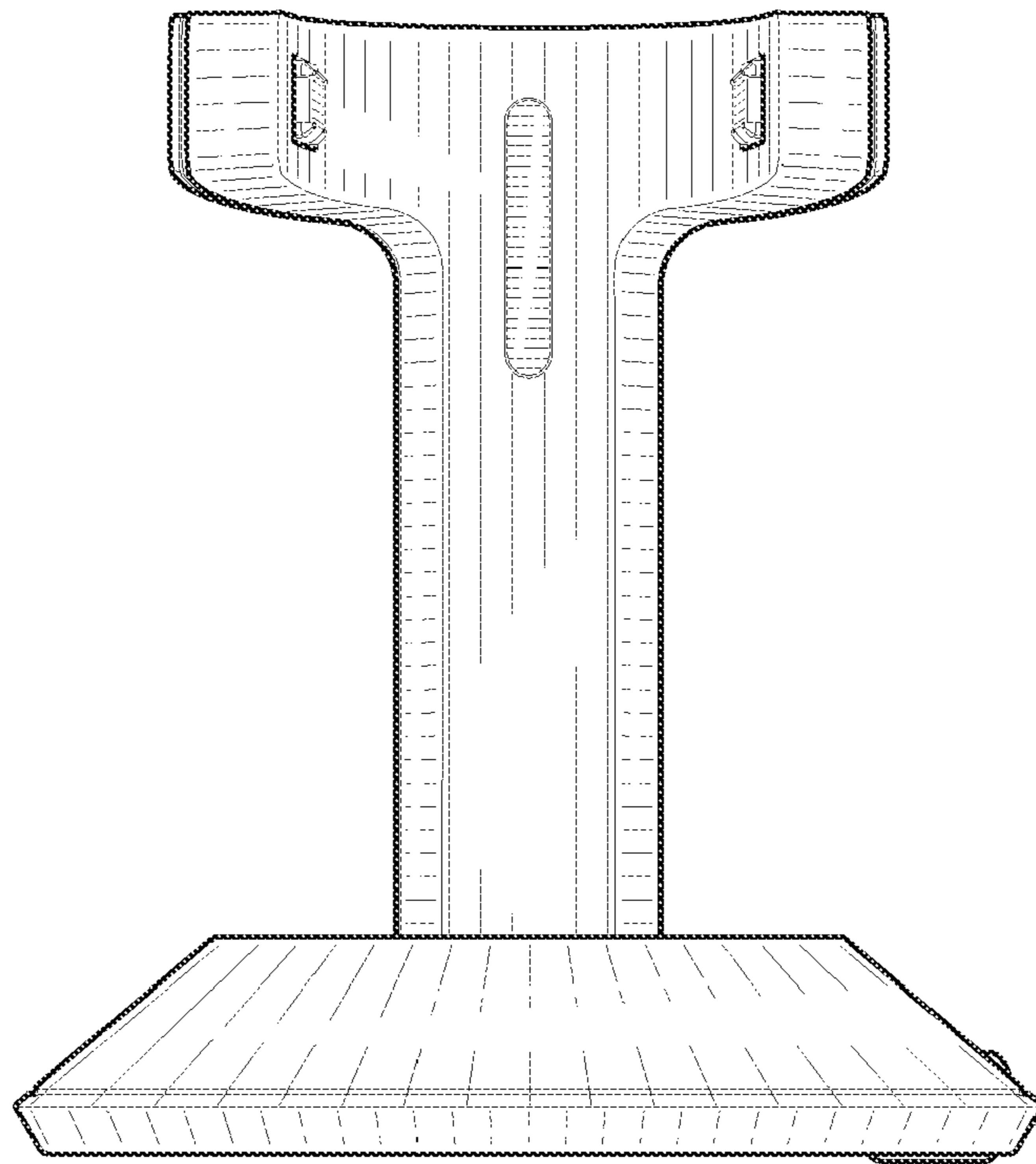


FIG. 2

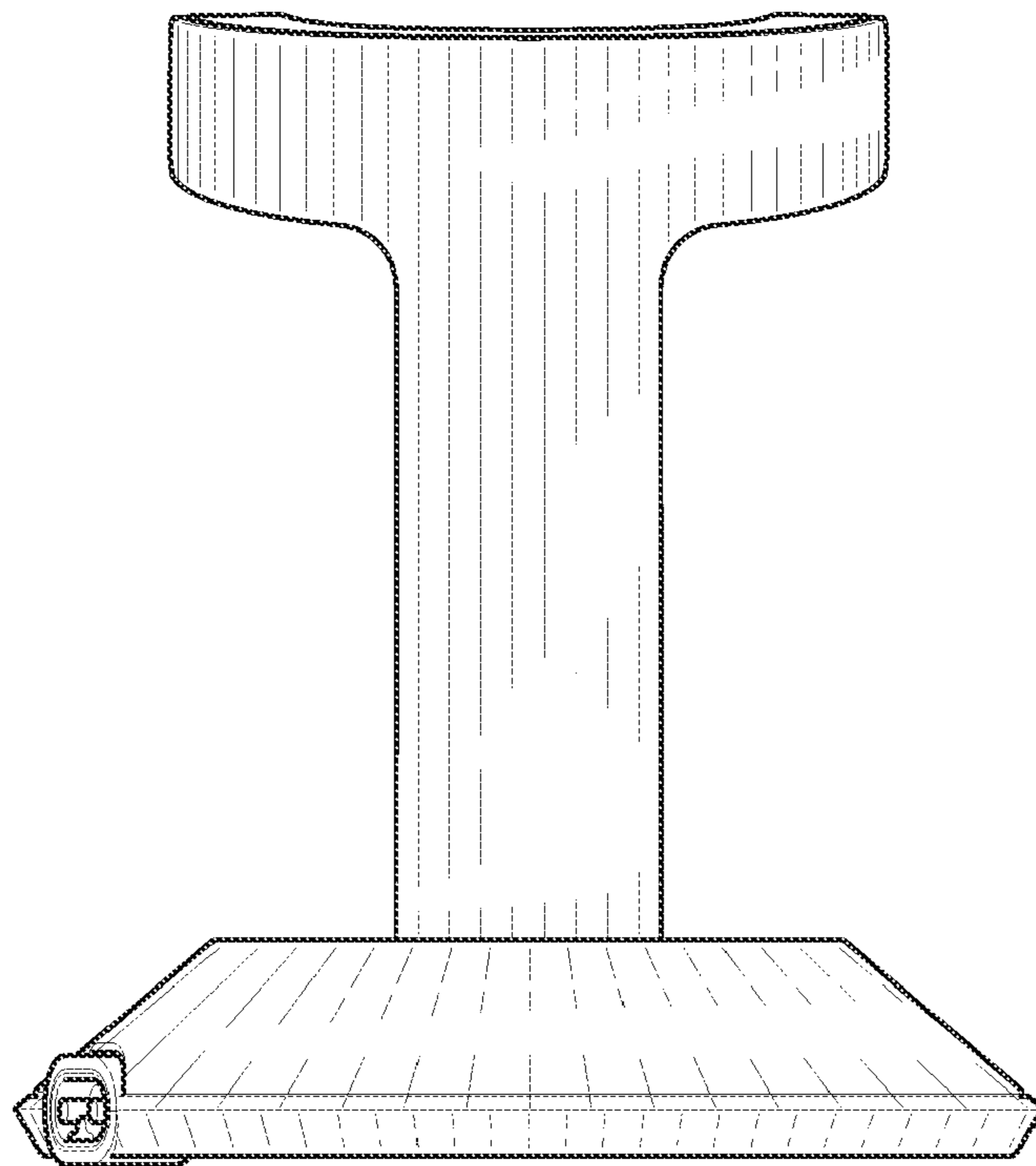


FIG. 3

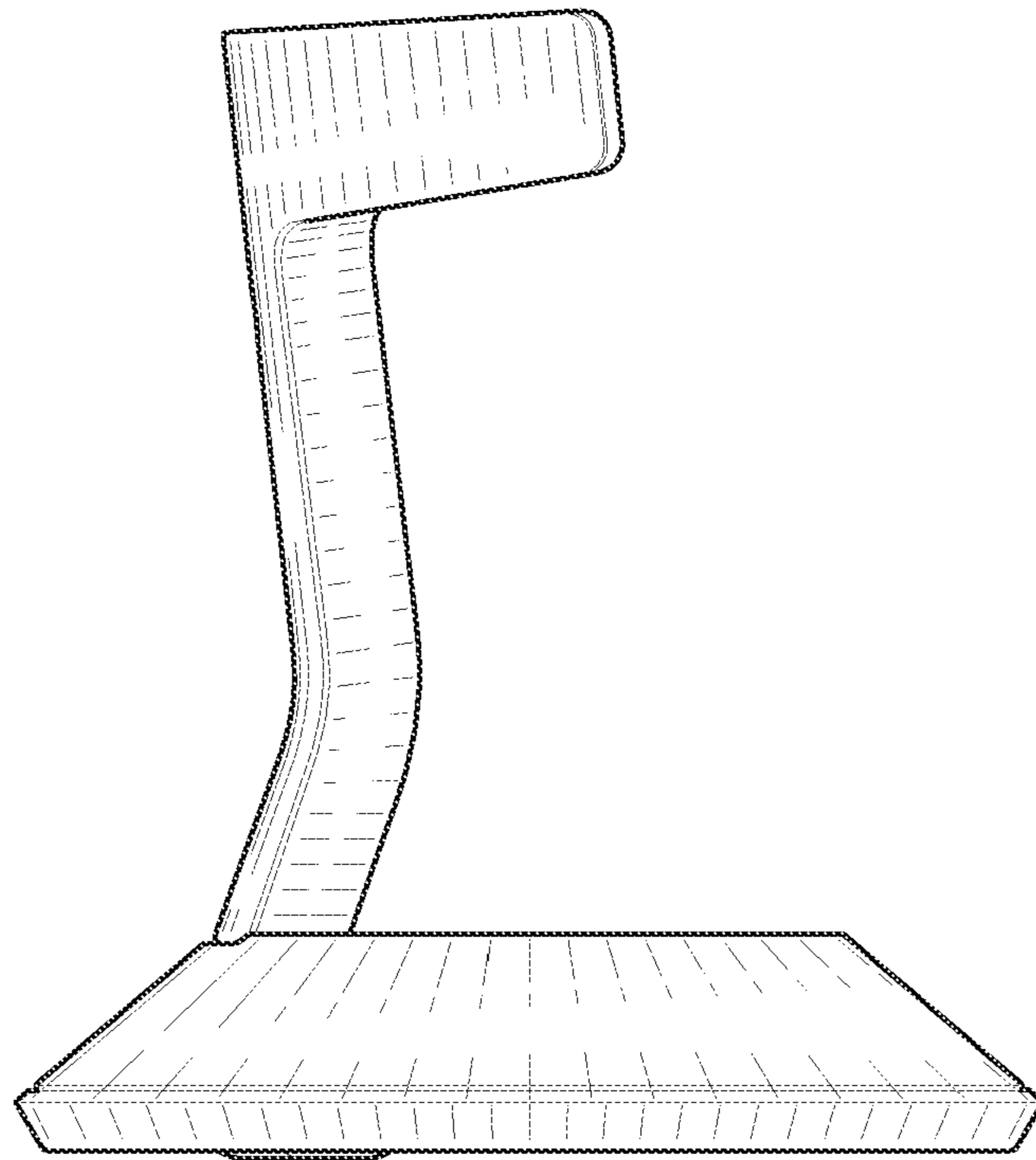


FIG. 4

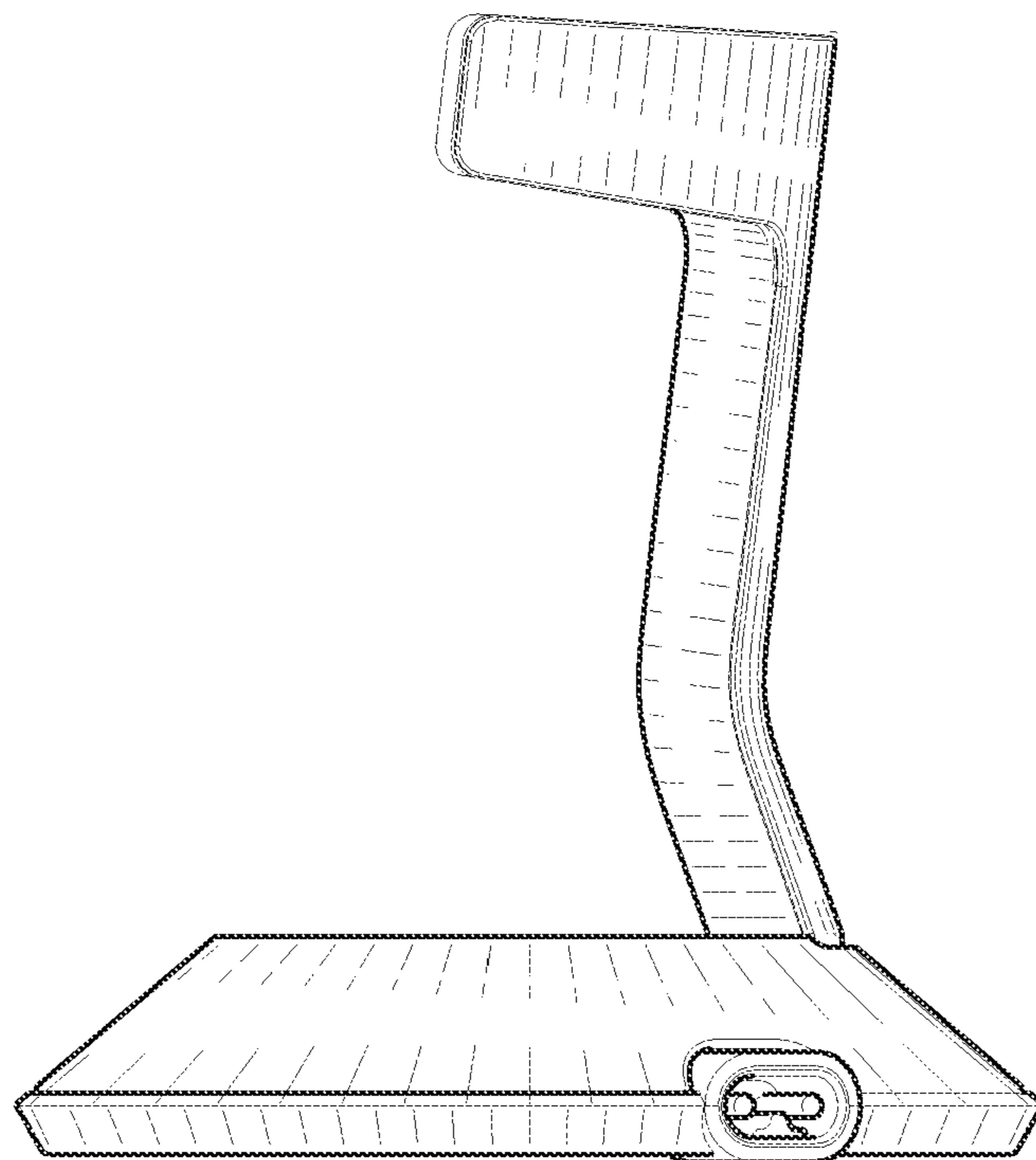


FIG. 5

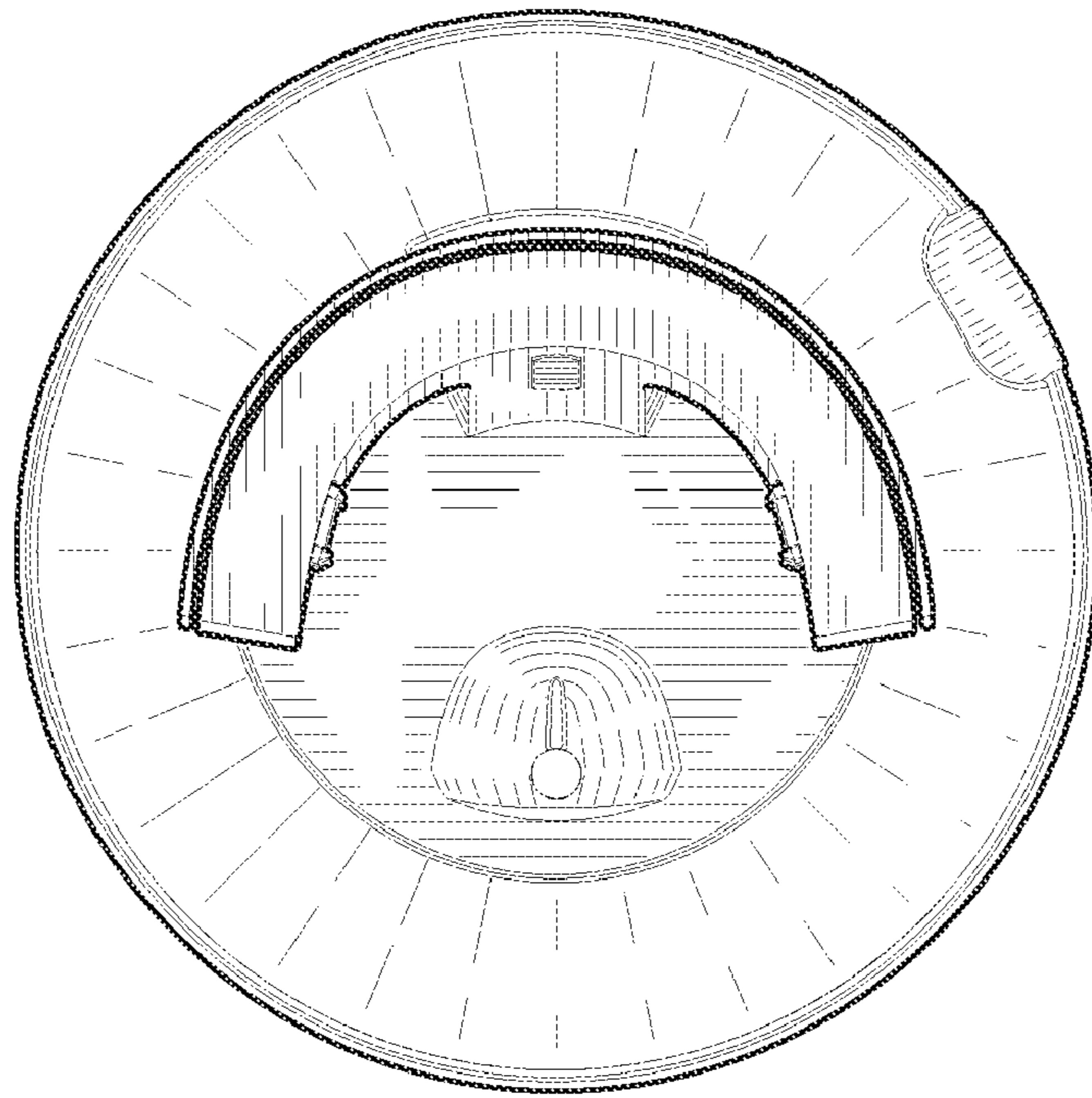


FIG. 6

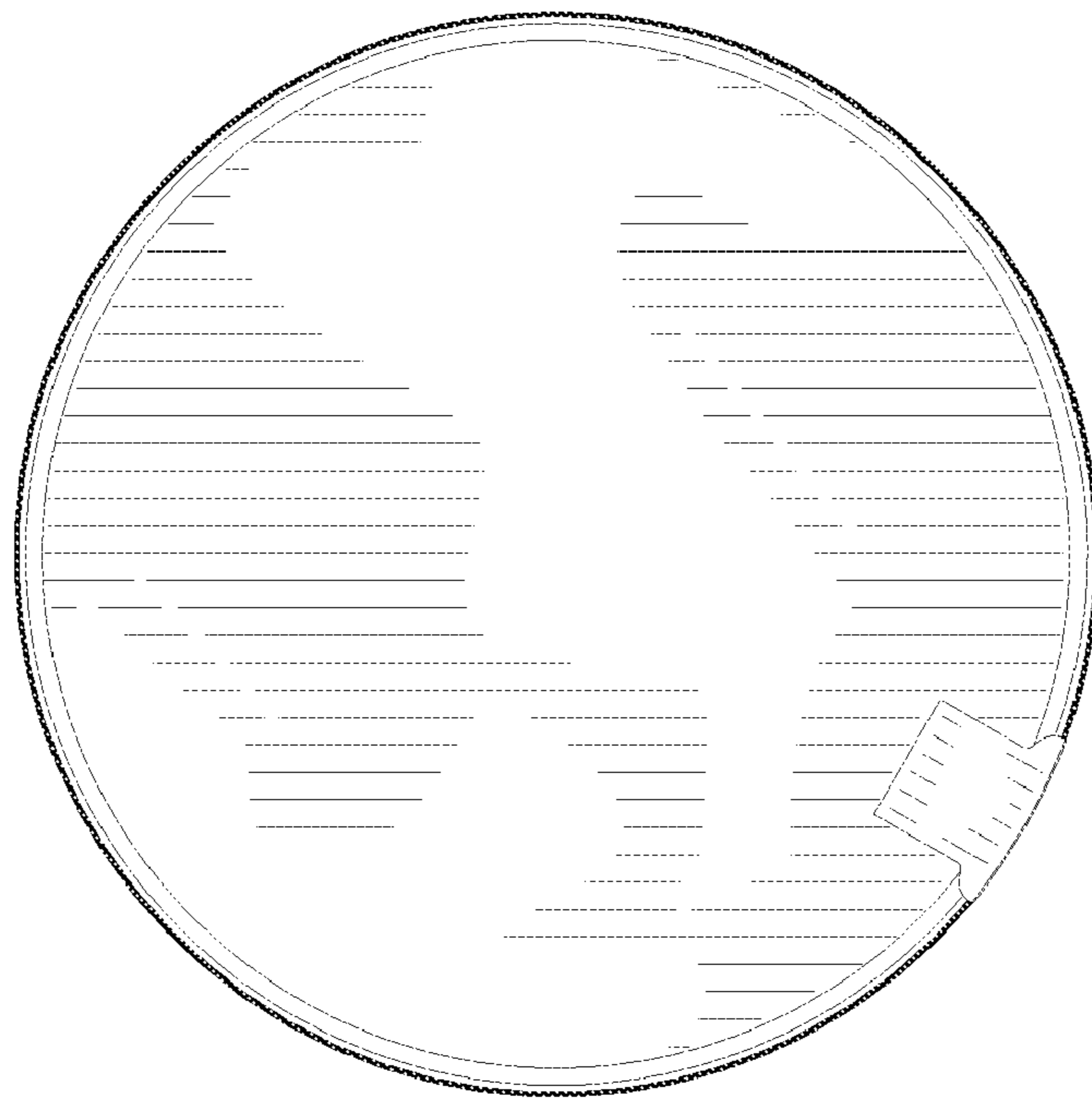


FIG. 7