



US00D572186S

(12) **United States Design Patent**
Viandante

(10) **Patent No.:** **US D572,186 S**
(45) **Date of Patent:** **** Jul. 1, 2008**

(54) **FRONT FACE OF AN AUTOMOBILE WHEEL**

(75) Inventor: **Michele Viandante**, Aachen (DE)

(73) Assignee: **Kohl Automobile GmbH**, Aachen (DE)

(**) Term: **14 Years**

(21) Appl. No.: **29/293,465**

(22) Filed: **Nov. 27, 2007**

(30) **Foreign Application Priority Data**

Aug. 14, 2007 (EM) 000773718

(51) **LOC (8) Cl.** **12-16**

(52) **U.S. Cl.** **D12/211**

(58) **Field of Classification Search** D12/204-213;
301/37.101, 64.101, 65, 64.201

See application file for complete search history.

(56) **References Cited**

U.S. PATENT DOCUMENTS

D500,005 S * 12/2004 van Hooydonk D12/211

D515,003 S * 2/2006 Echazabal D12/211

D516,991 S * 3/2006 Guevara D12/211

D526,948 S * 8/2006 Truebsbach D12/211

D531,949 S * 11/2006 Arora D12/209

D533,827 S * 12/2006 Aydin D12/211

D535,603 S * 1/2007 Guevara D12/209

D546,748 S * 7/2007 Young D12/211

D553,070 S * 10/2007 Tirado D12/211

* cited by examiner

Primary Examiner—Stacia Cadmus

(74) *Attorney, Agent, or Firm*—Cohen Pontani Lieberman & Pavane LLP

(57) **CLAIM**

The ornamental design for a front face of an automotive wheel, as shown and described.

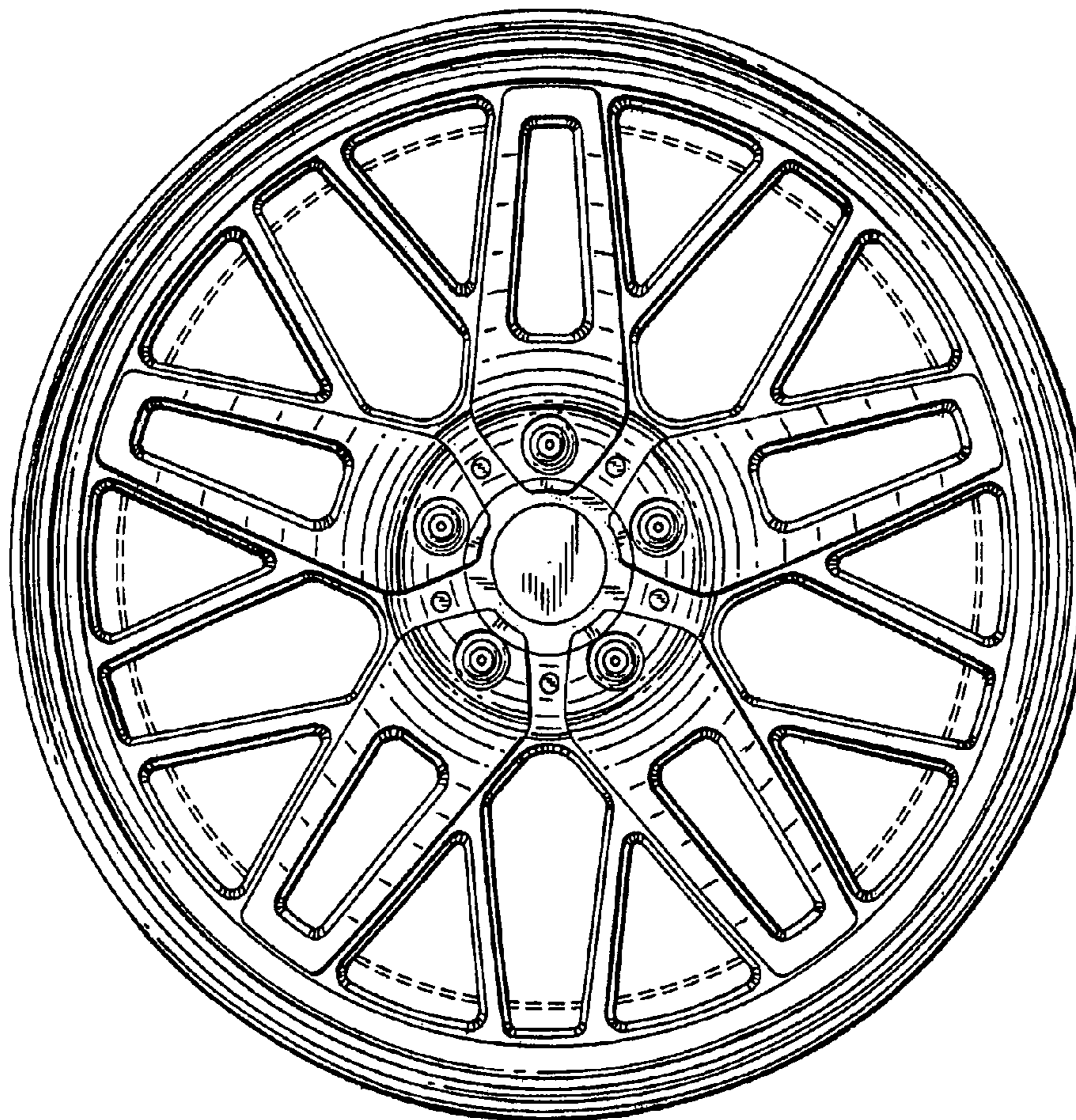
DESCRIPTION

FIG. 1 is perspective view of a front face of an automotive wheel showing my new design; and,

FIG. 2 is a front elevation view thereof.

The wheel portion shown in broken lines is for illustrative purposes only and forms no part of the claimed design.

1 Claim, 2 Drawing Sheets



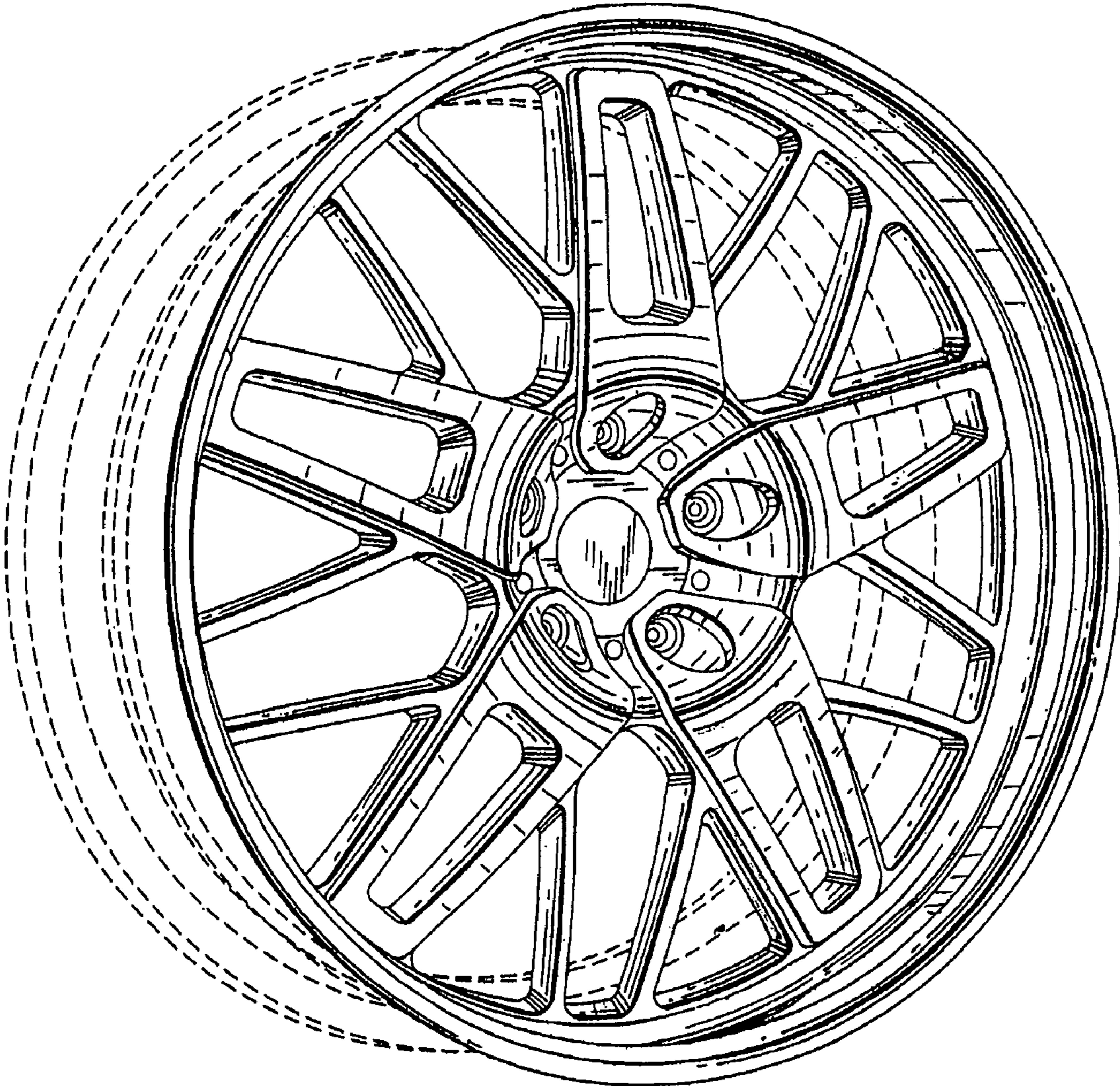


FIG. 1

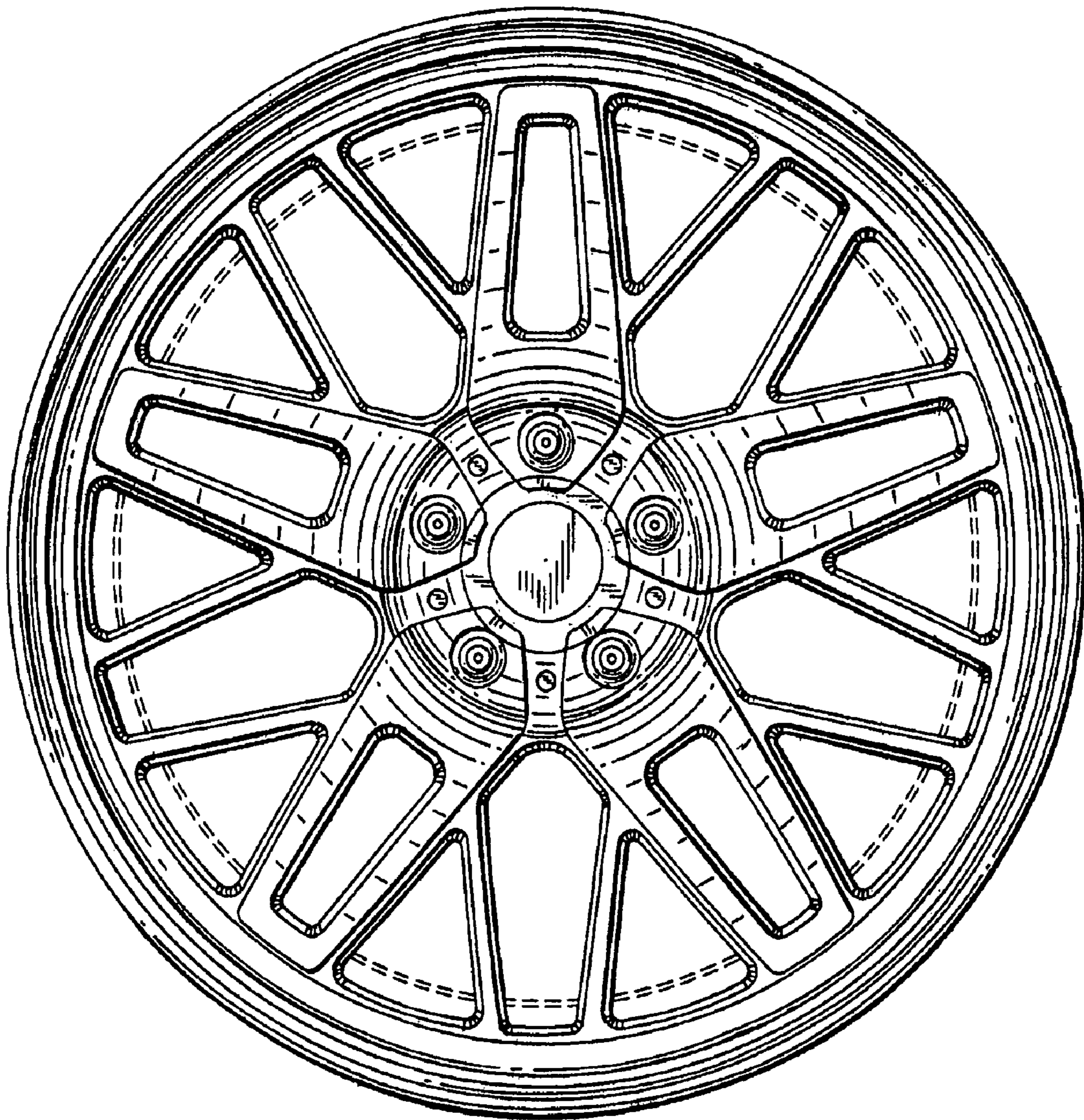


FIG. 2