



US00D572185S

(12) **United States Design Patent**
Pollmann

(10) **Patent No.:** **US D572,185 S**
(45) **Date of Patent:** **** Jul. 1, 2008**

(54) **FRONT FACE OF A VEHICLE WHEEL**

(75) Inventor: **Gert Pollmann**, Boehmfeld (DE)

(73) Assignee: **DaimlerChrysler AG**, Stuttgart (DE)

(**) Term: **14 Years**

(21) Appl. No.: **29/290,687**

(22) Filed: **Jan. 3, 2008**

(30) **Foreign Application Priority Data**

Jul. 4, 2007 (EM) 000751763-0001

(51) **LOC (8) Cl.** **12-16**

(52) **U.S. Cl.** **D12/211**

(58) **Field of Classification Search** D12/204-213;
301/37.101, 64.101, 65, 64.201

See application file for complete search history.

(56) **References Cited**

U.S. PATENT DOCUMENTS

D402,952 S *	12/1998	Sycha	D12/211
D480,676 S *	10/2003	Bhambra	D12/211
D502,135 S *	2/2005	Weld	D12/211
D521,437 S *	5/2006	Long	D12/209
D530,259 S *	10/2006	Sands	D12/211

D535,934 S *	1/2007	Scheu	D12/211
D540,732 S *	4/2007	Metros et al.	D12/211
D541,204 S *	4/2007	Huet	D12/211
D542,726 S *	5/2007	Hieke	D12/209
D553,067 S *	10/2007	Muzzarelli	D12/211
D553,068 S *	10/2007	Celik	D12/211

* cited by examiner

Primary Examiner—Stacia Cadmus

(74) *Attorney, Agent, or Firm*—Crowell & Moring LLP

(57) **CLAIM**

The ornamental design for a front face of a vehicle wheel, as shown and described.

DESCRIPTION

FIG. 1 is a front view of a first embodiment of a front face of a vehicle wheel according to my novel design; and

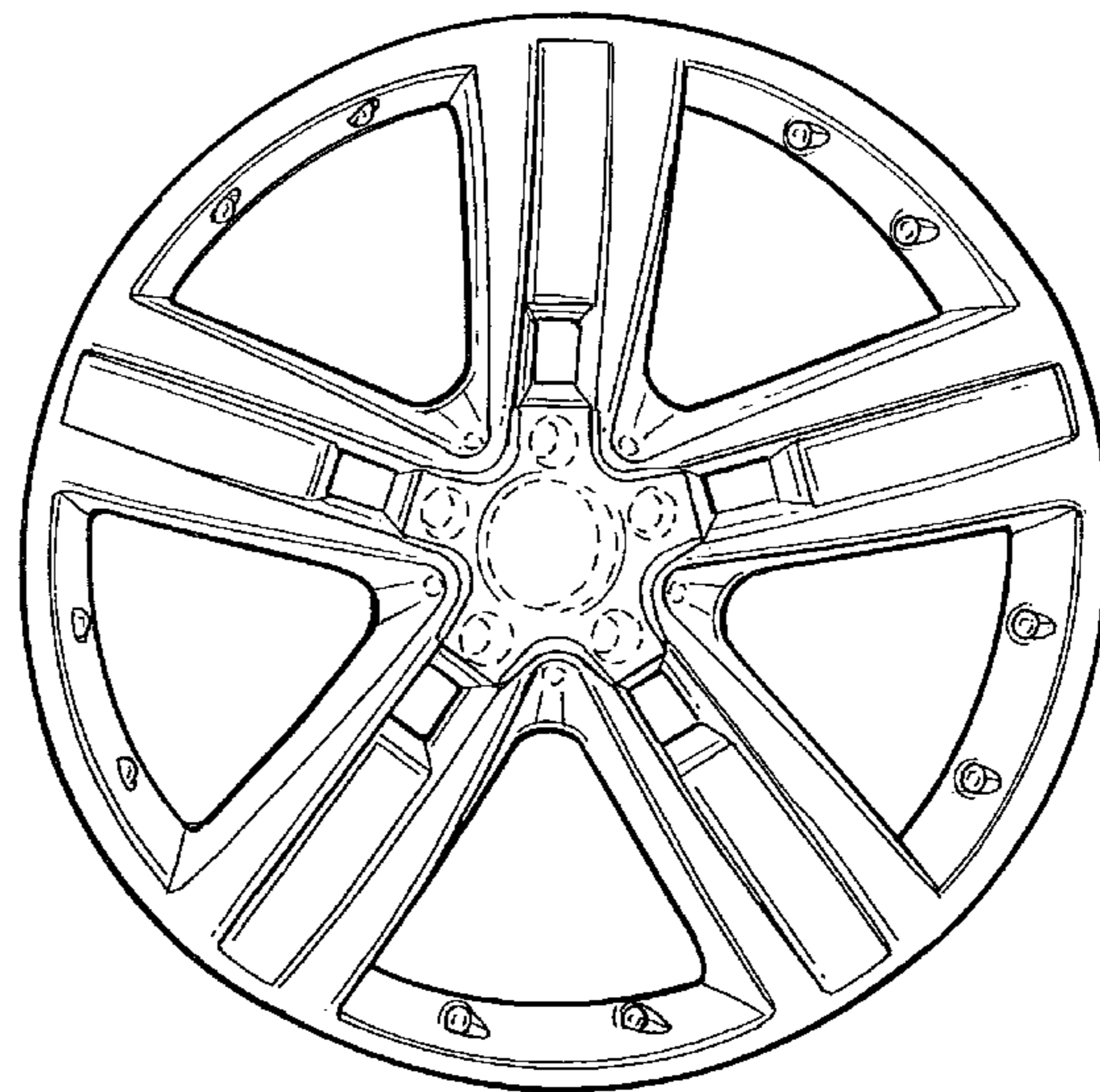
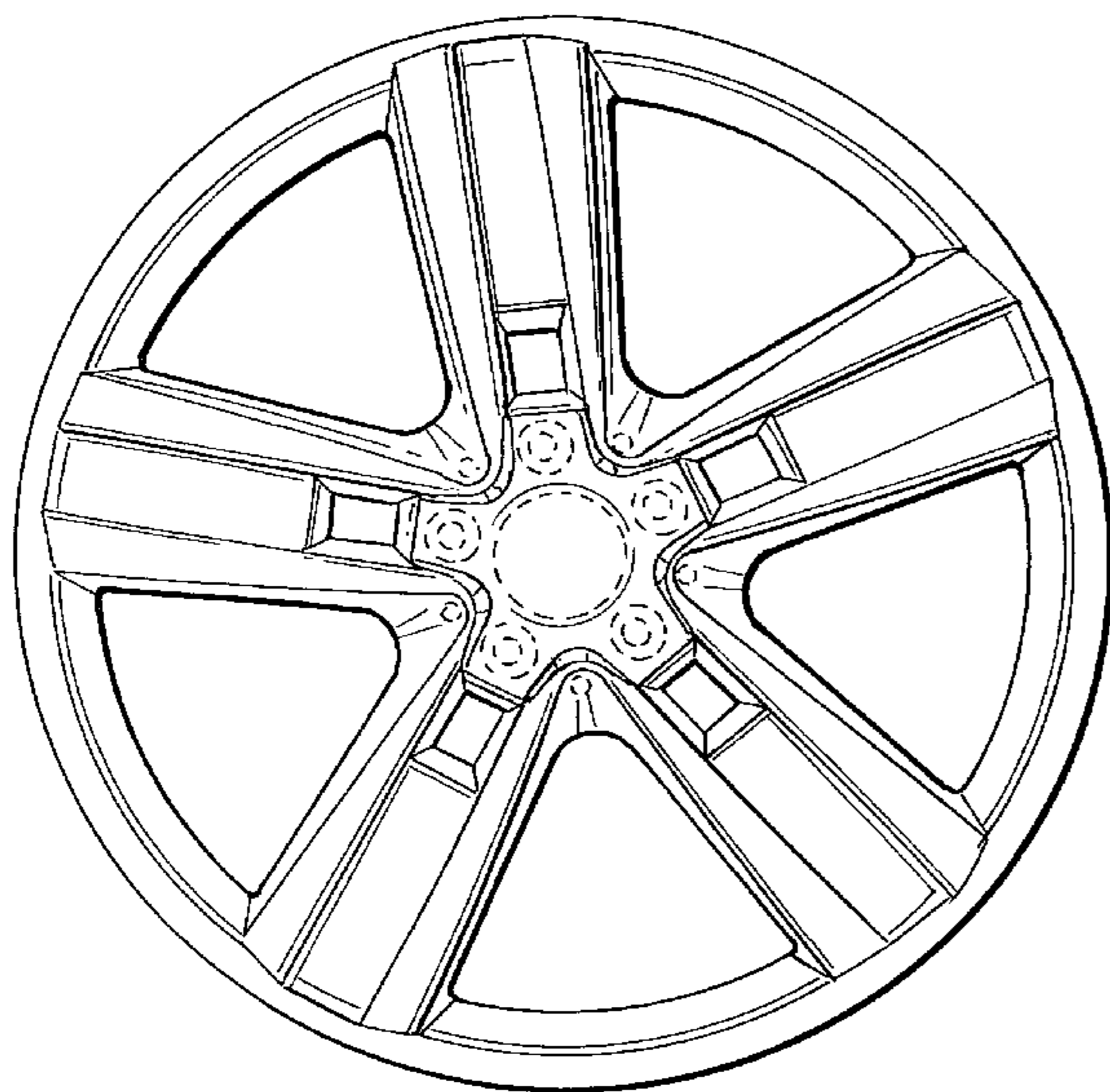
FIG. 2 is a perspective view thereof.

FIG. 3 is a front view of a second embodiment of the front face of a vehicle wheel according to my novel design; and,

FIG. 4 is a perspective view thereof.

The broken lines are for illustrative purposes only and form no part of the claimed design.

1 Claim, 2 Drawing Sheets



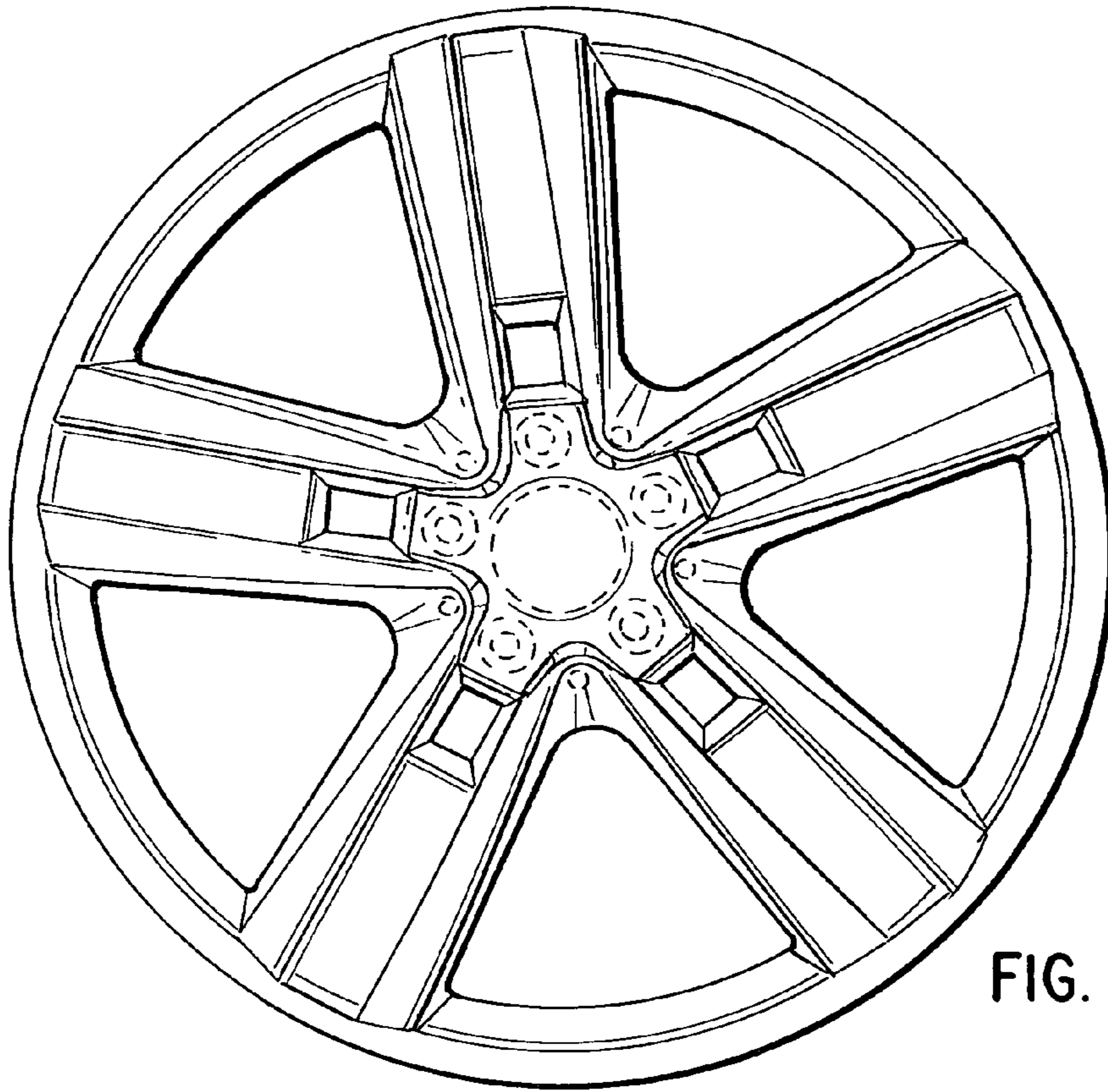


FIG. 1

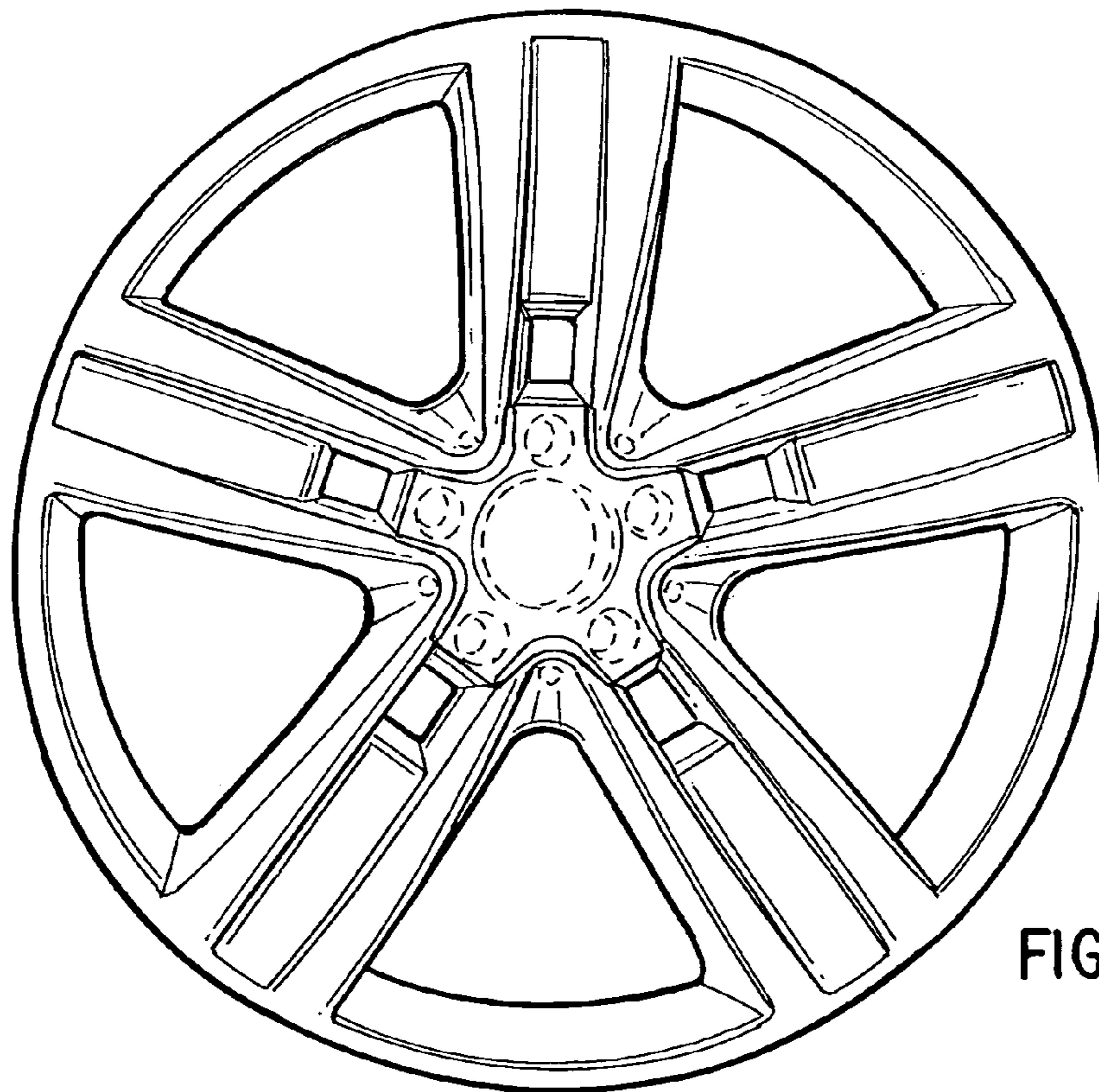


FIG. 2

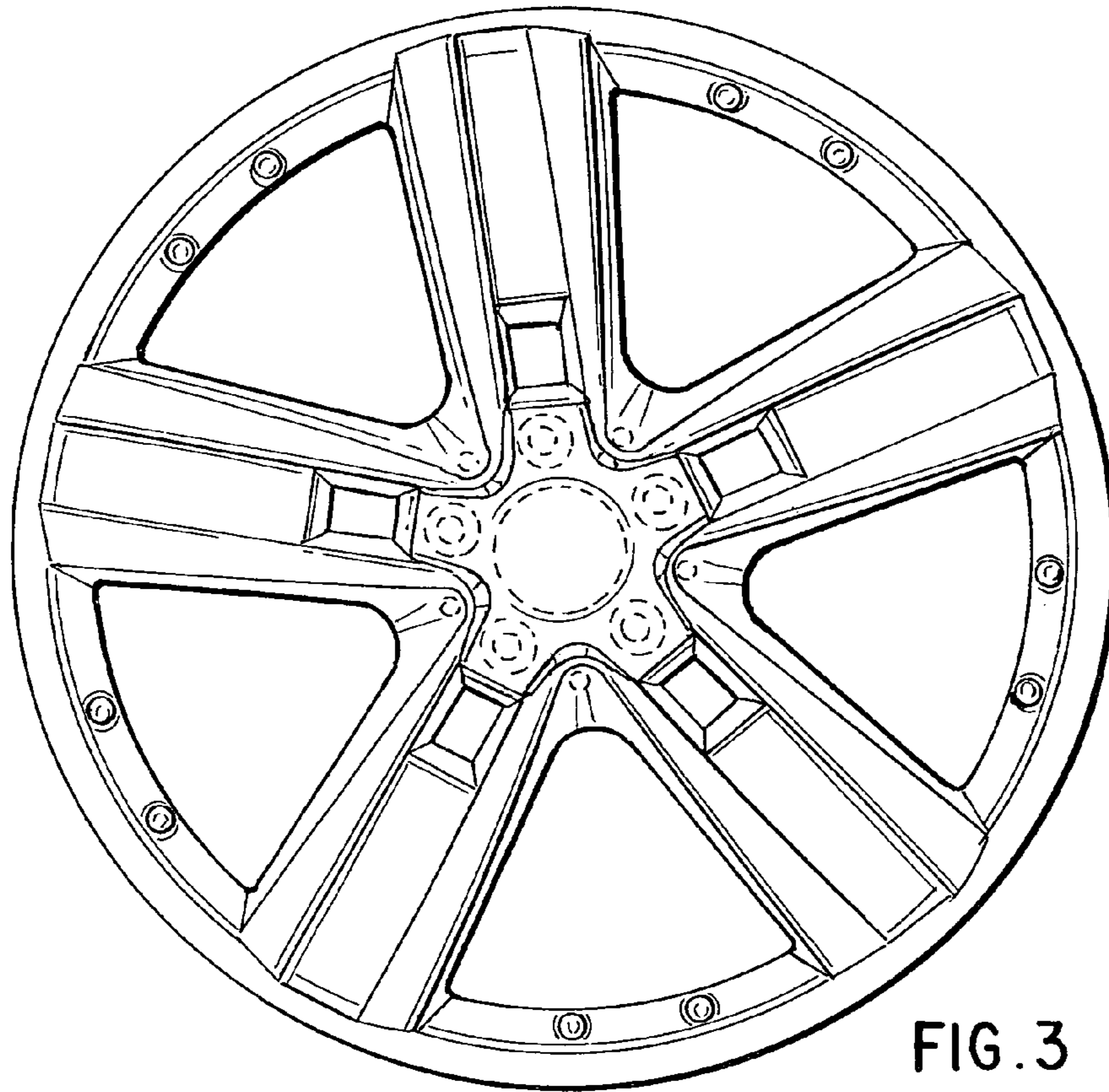


FIG. 3

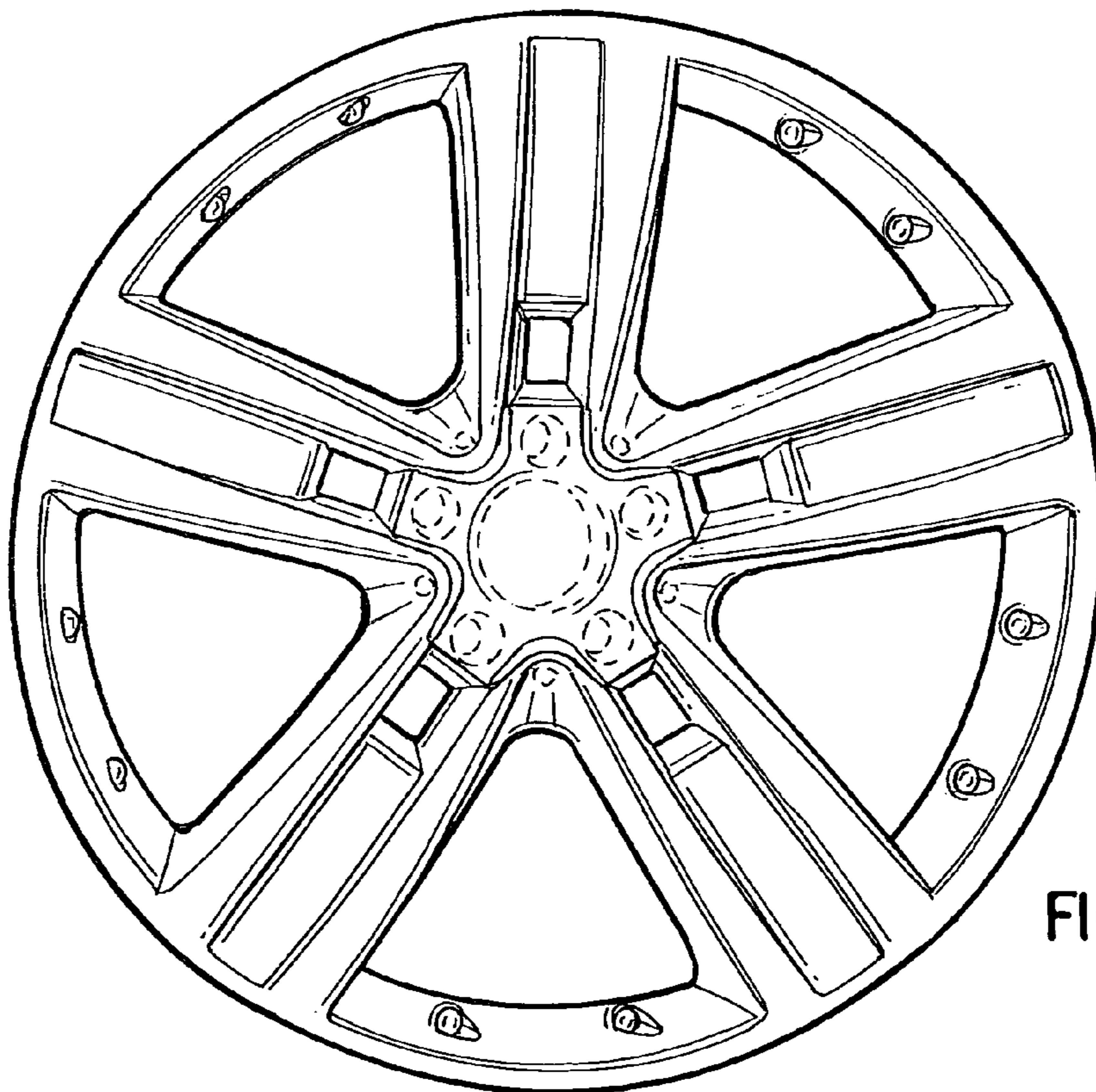


FIG. 4