



US00D572179S

(12) **United States Design Patent**  
**Zimmermann et al.**

(10) **Patent No.:** **US D572,179 S**  
(45) **Date of Patent:** **\*\* Jul. 1, 2008**

(54) **VEHICLE GRILLE**

(75) Inventors: **Dan M. Zimmermann**, Bloomfield Township, MI (US); **Mark T. Allen**, Oxford, MI (US); **Dennis Myles**, West Bloomfield, MI (US)

(73) Assignee: **Chrysler LLC**, Auburn Hills, MI (US)

(\*\*) Term: **14 Years**

(21) Appl. No.: **29/284,916**

(22) Filed: **Sep. 18, 2007**

**Related U.S. Application Data**

(63) Continuation-in-part of application No. 29/248,591, filed on Aug. 23, 2006, now Pat. No. Des. 551,124.

(51) **LOC (8) Cl.** ..... **12-16**

(52) **U.S. Cl.** ..... **D12/163**

(58) **Field of Classification Search** ..... D12/163,  
D12/171, 196, 216, 90-92, 86; 180/68.1,  
180/68.6; 296/193.11

See application file for complete search history.

(56) **References Cited**

**U.S. PATENT DOCUMENTS**

D424,992 S \* 5/2000 Faurote ..... D12/163  
D506,955 S \* 7/2005 Allen et al. .... D12/163  
D519,066 S \* 4/2006 Ney et al. .... D12/163

D521,424 S \* 5/2006 Sackley ..... D12/163  
D528,471 S \* 9/2006 Renkert et al. .... D12/91  
D534,097 S \* 12/2006 Renkert et al. .... D12/91  
D542,192 S \* 5/2007 Renkert et al. .... D12/163  
D565,467 S \* 4/2008 Aneiros et al. .... D12/91

\* cited by examiner

*Primary Examiner*—Melody N Brown

(74) *Attorney, Agent, or Firm*—Ralph E. Smith

(57) **CLAIM**

The ornamental design for a vehicle grille, as shown and described.

**DESCRIPTION**

FIG. 1 is a front perspective view of a vehicle grille showing our new design;

FIG. 2 is a rear perspective view thereof;

FIG. 3 is a front view thereof;

FIG. 4 is a rear view thereof;

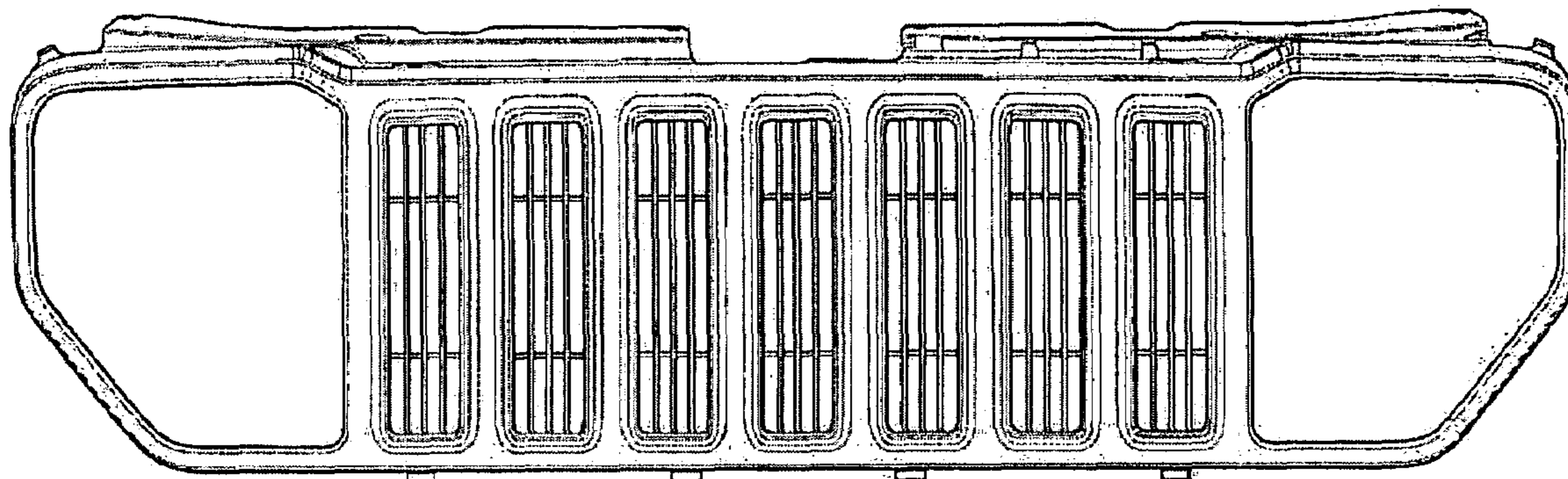
FIG. 5 is a top plan view thereof;

FIG. 6 is a bottom plan view thereof; and,

FIG. 7 is a right side view; the opposite side being a mirror image thereof.

It will be understood that the broken lines presented in the drawings are for illustration only, and do not form a part of the claimed design.

**1 Claim, 7 Drawing Sheets**



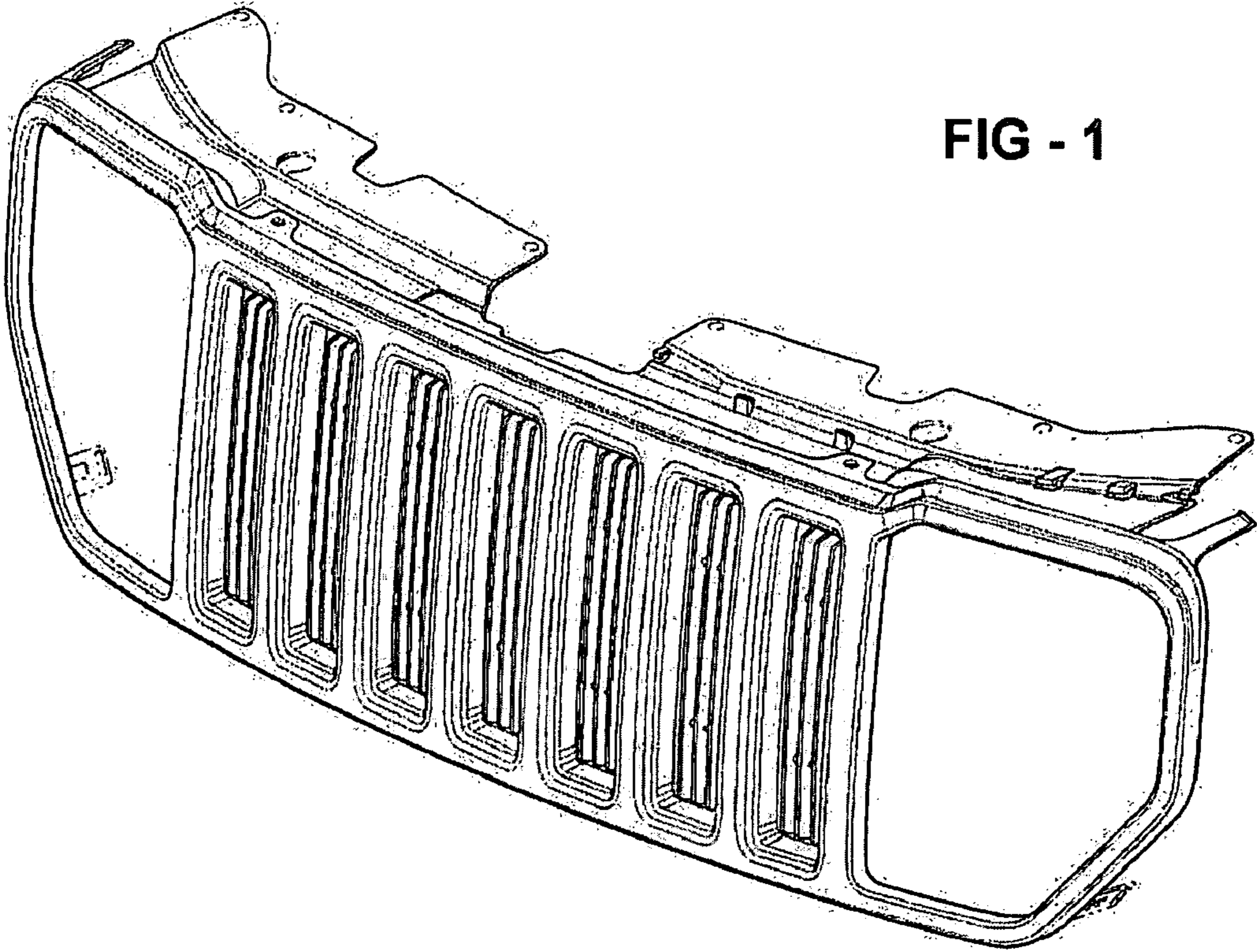


FIG - 1

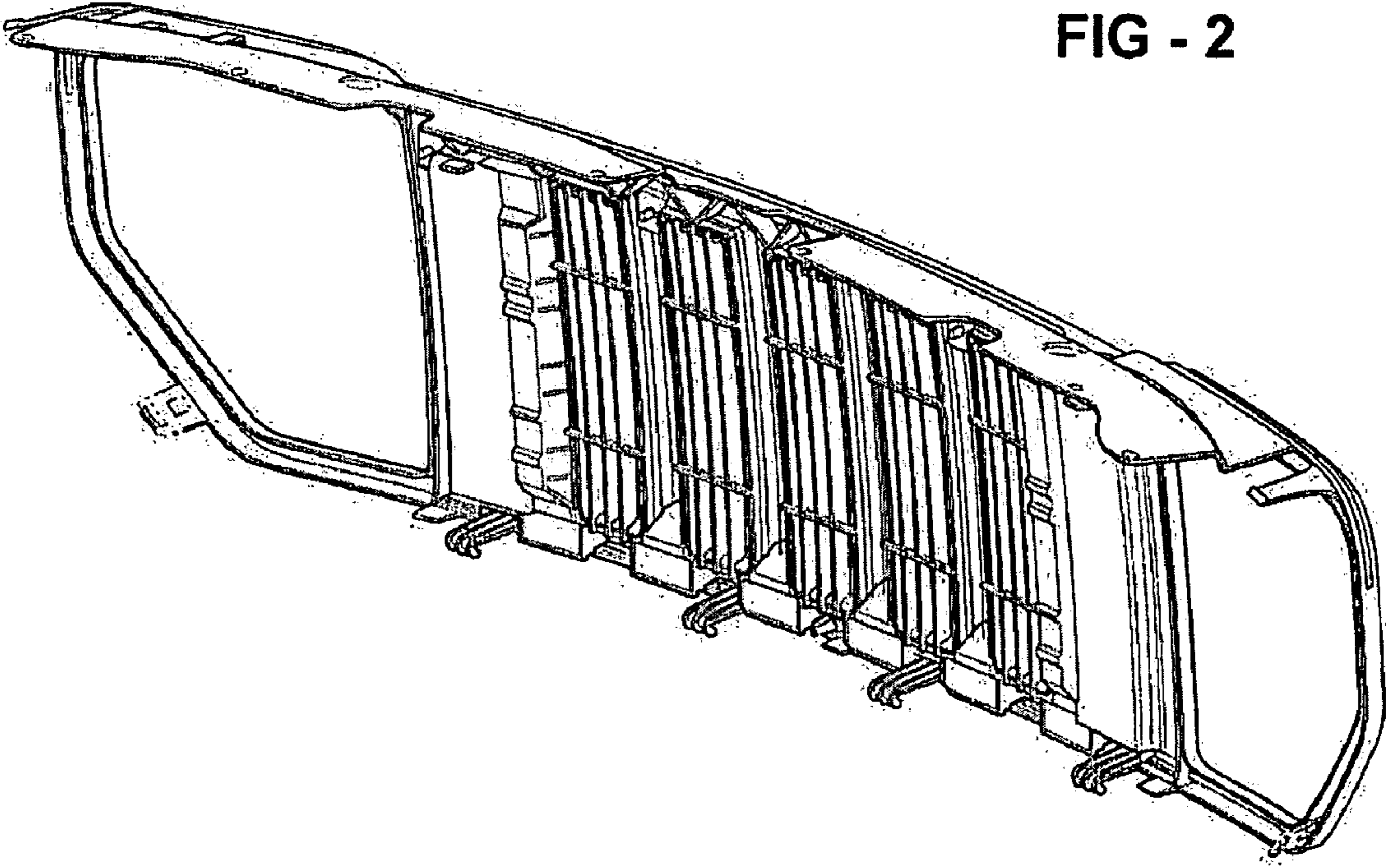


FIG - 2



FIG - 3

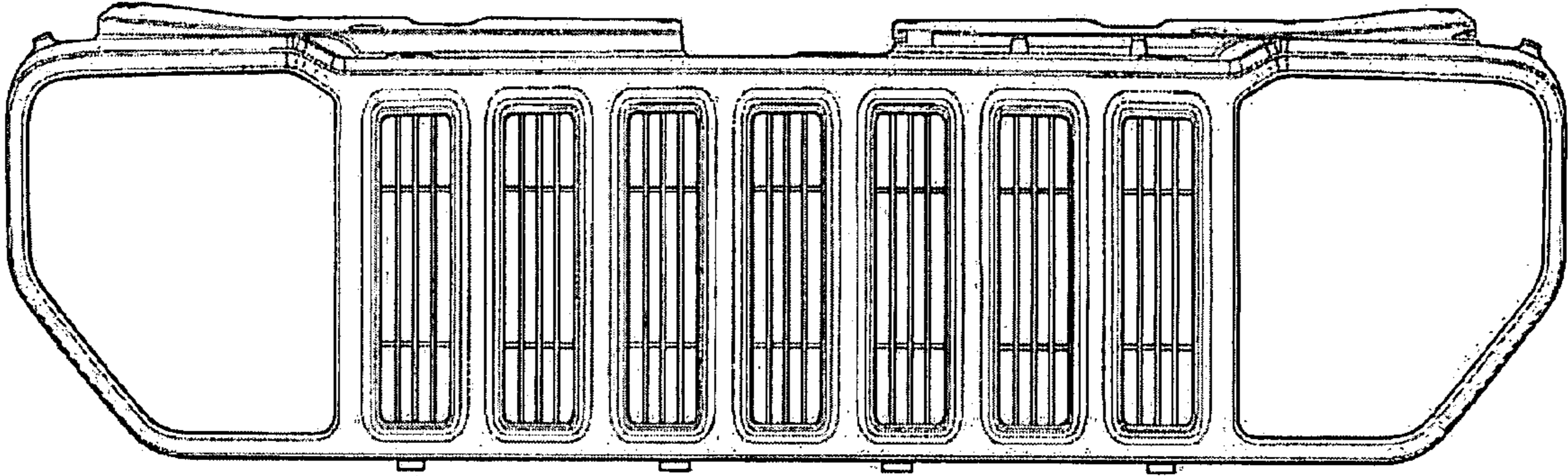


FIG - 4

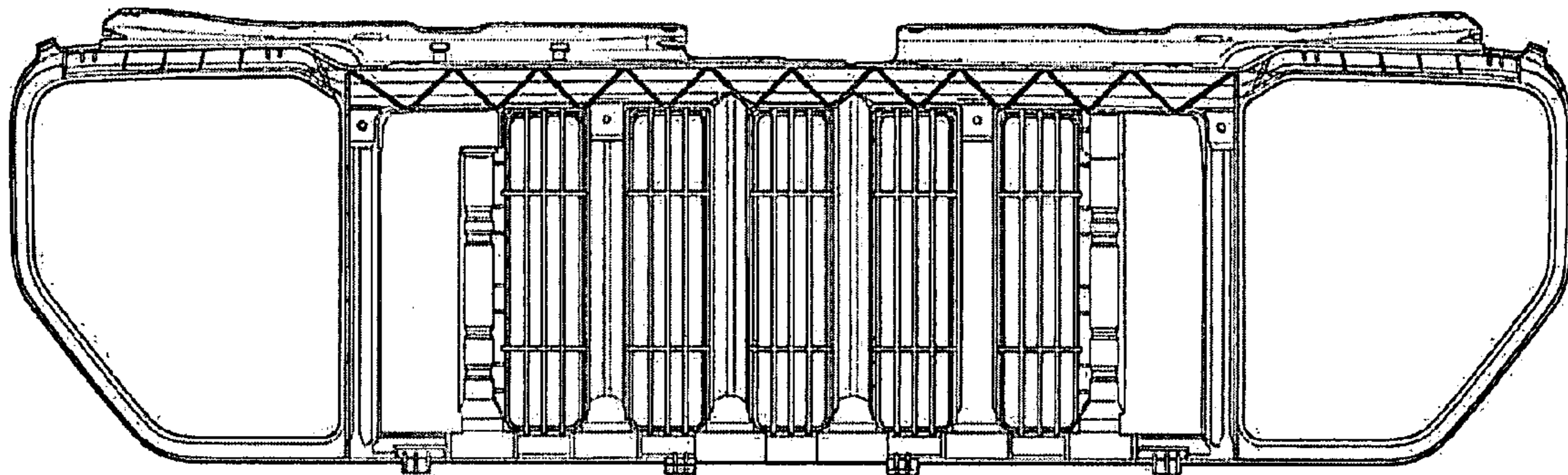


FIG - 5

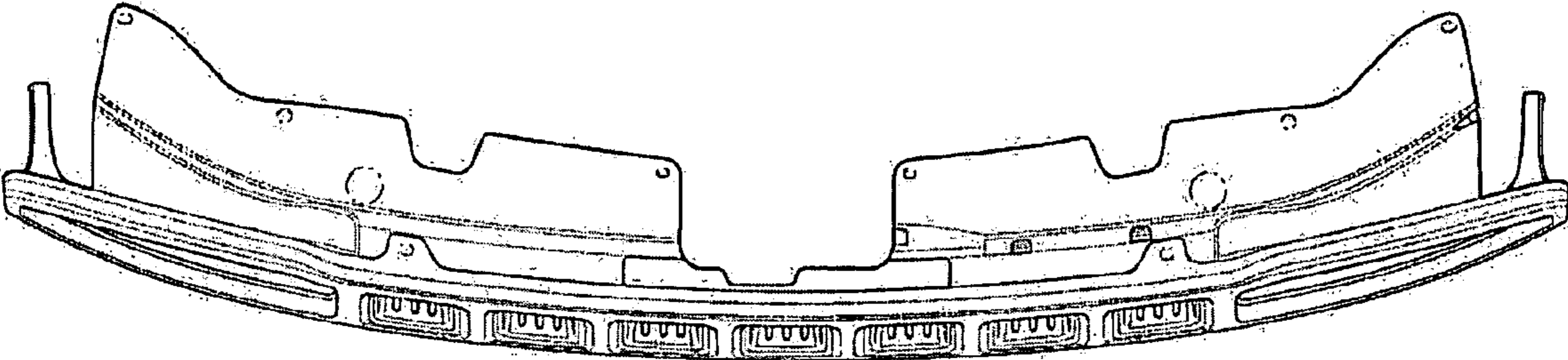


FIG - 6

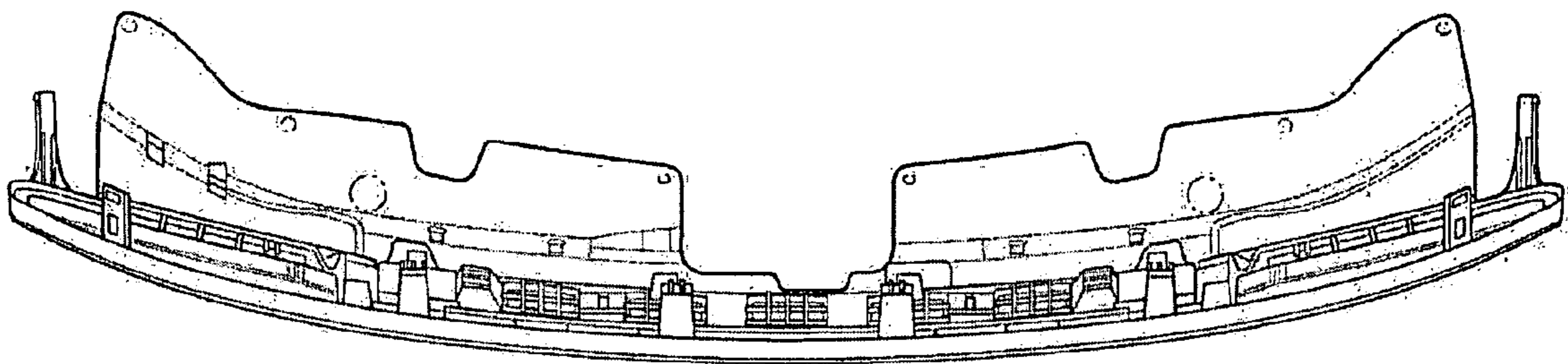


FIG - 7

