



US00D572178S

(12) **United States Design Patent**
Zheng

(10) **Patent No.:** **US D572,178 S**

(45) **Date of Patent:** **** Jul. 1, 2008**

(54) **FRONT GRILLE FOR AUTOMOBILE**

D562,193 S * 2/2008 Platto et al. D12/163
D562,196 S * 2/2008 Saito D12/163

(75) Inventor: **Chunhong Zheng**, Baoding (CN)

* cited by examiner

(73) Assignee: **Great Wall Motor Company, Limited**,
Baoding (CN)

Primary Examiner—Melody N Brown

(74) *Attorney, Agent, or Firm*—Courtney Staniford &
Gregory LLP

(**) Term: **14 Years**

(21) Appl. No.: **29/283,045**

(57) **CLAIM**

(22) Filed: **Aug. 4, 2007**

The ornamental design for a front grille of an automobile, as
shown and described.

(30) **Foreign Application Priority Data**

Feb. 7, 2007 (CN) 2007 3 0003403

DESCRIPTION

(51) **LOC (8) Cl.** **12-16**

FIG. 1 is a perspective view of the front grille for automobile
of the design;

(52) **U.S. Cl.** **D12/163**

FIG. 2 is a front view thereof;

(58) **Field of Classification Search** D12/163,
D12/171, 196, 216, 90-92, 86; 180/68.1,
180/68.6; 296/193.11

FIG. 3 is a rear view thereof;

FIG. 4 is a right side view thereof;

See application file for complete search history.

FIG. 5 is a top view thereof; and,

FIG. 6 is a bottom view thereof.

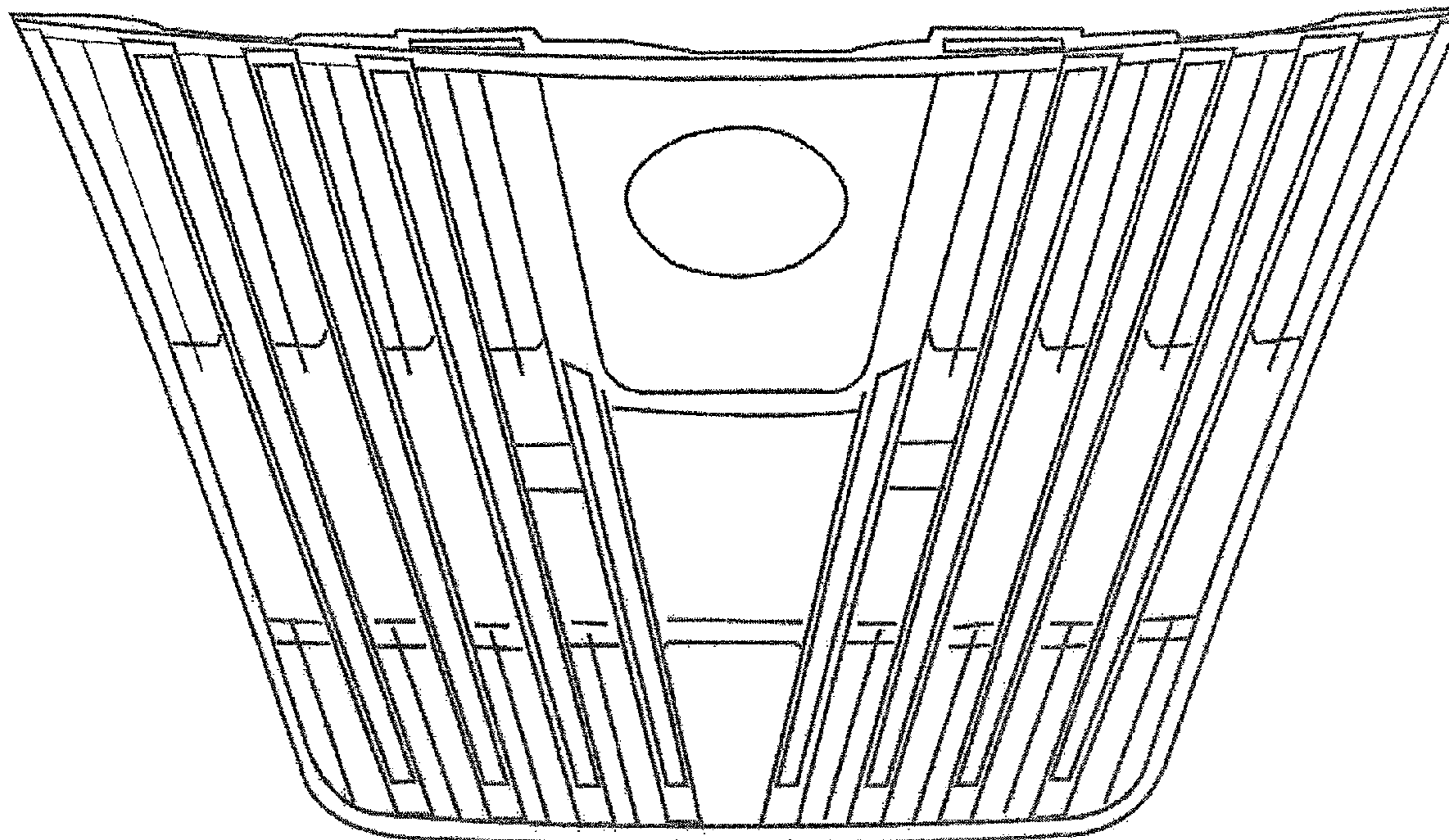
(56) **References Cited**

The left side view is omitted, since it is symmetrical with the
right side view.

U.S. PATENT DOCUMENTS

D506,167 S * 6/2005 Wu D12/163

1 Claim, 4 Drawing Sheets



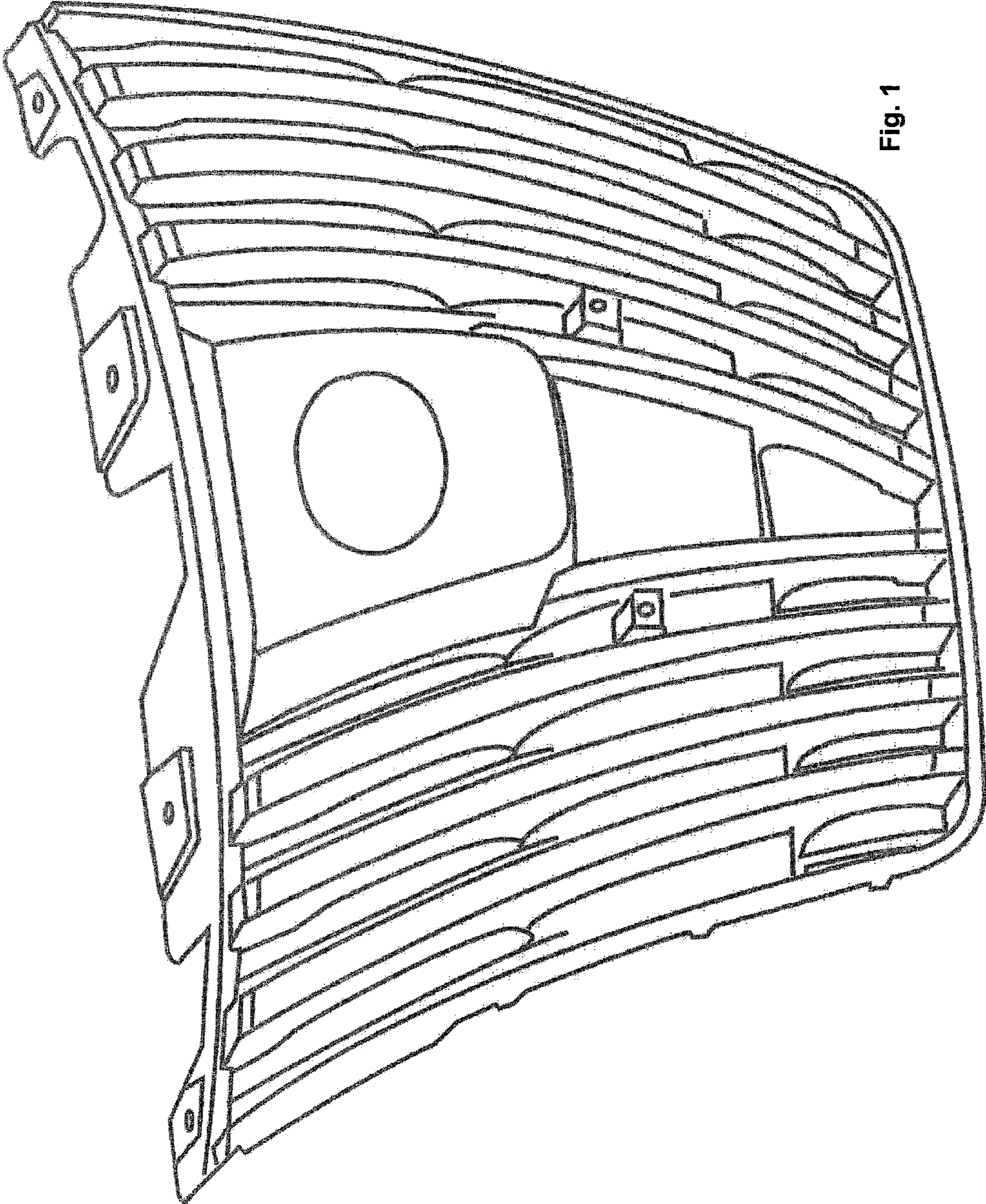


Fig. 1

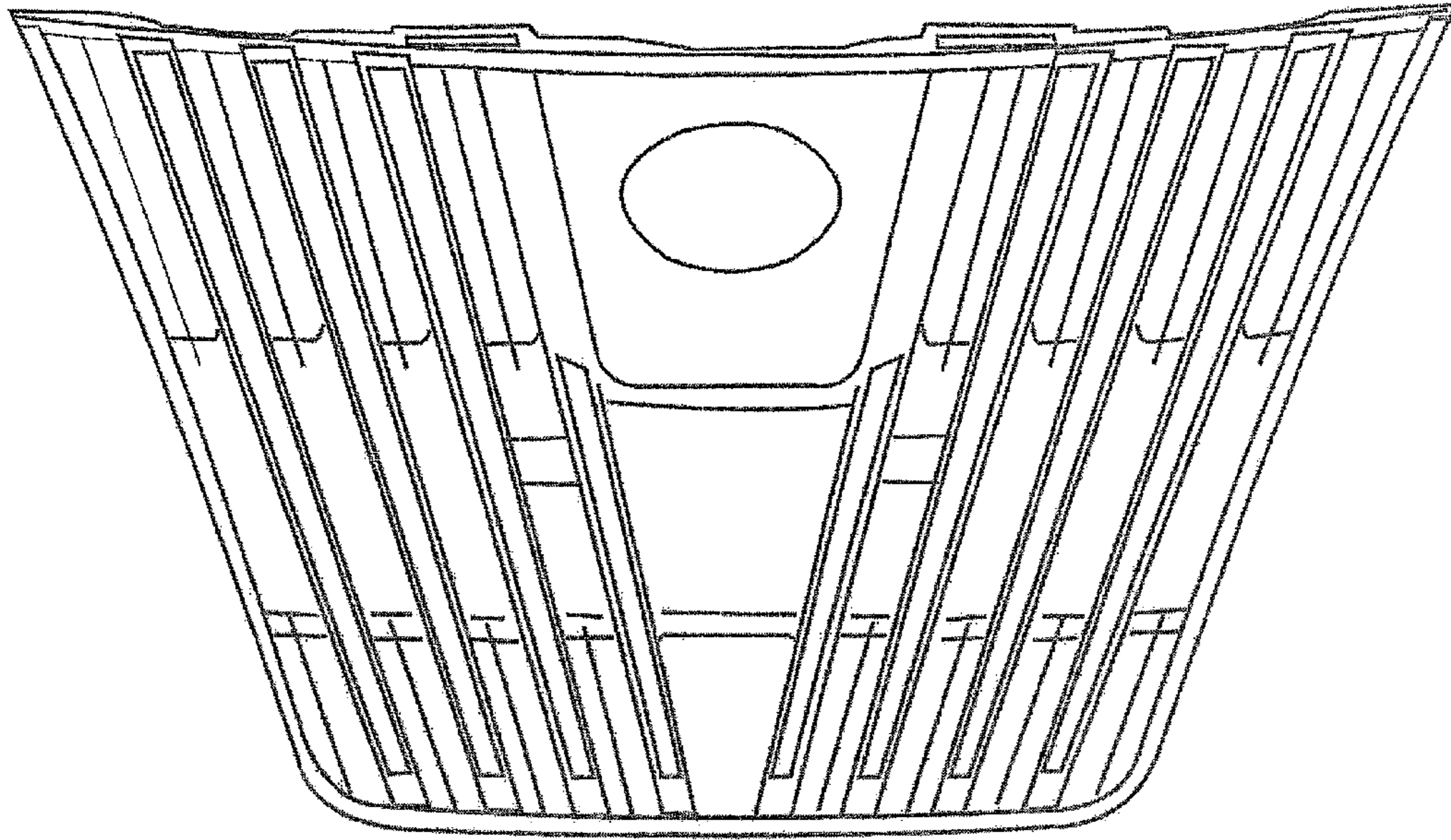


Fig. 2

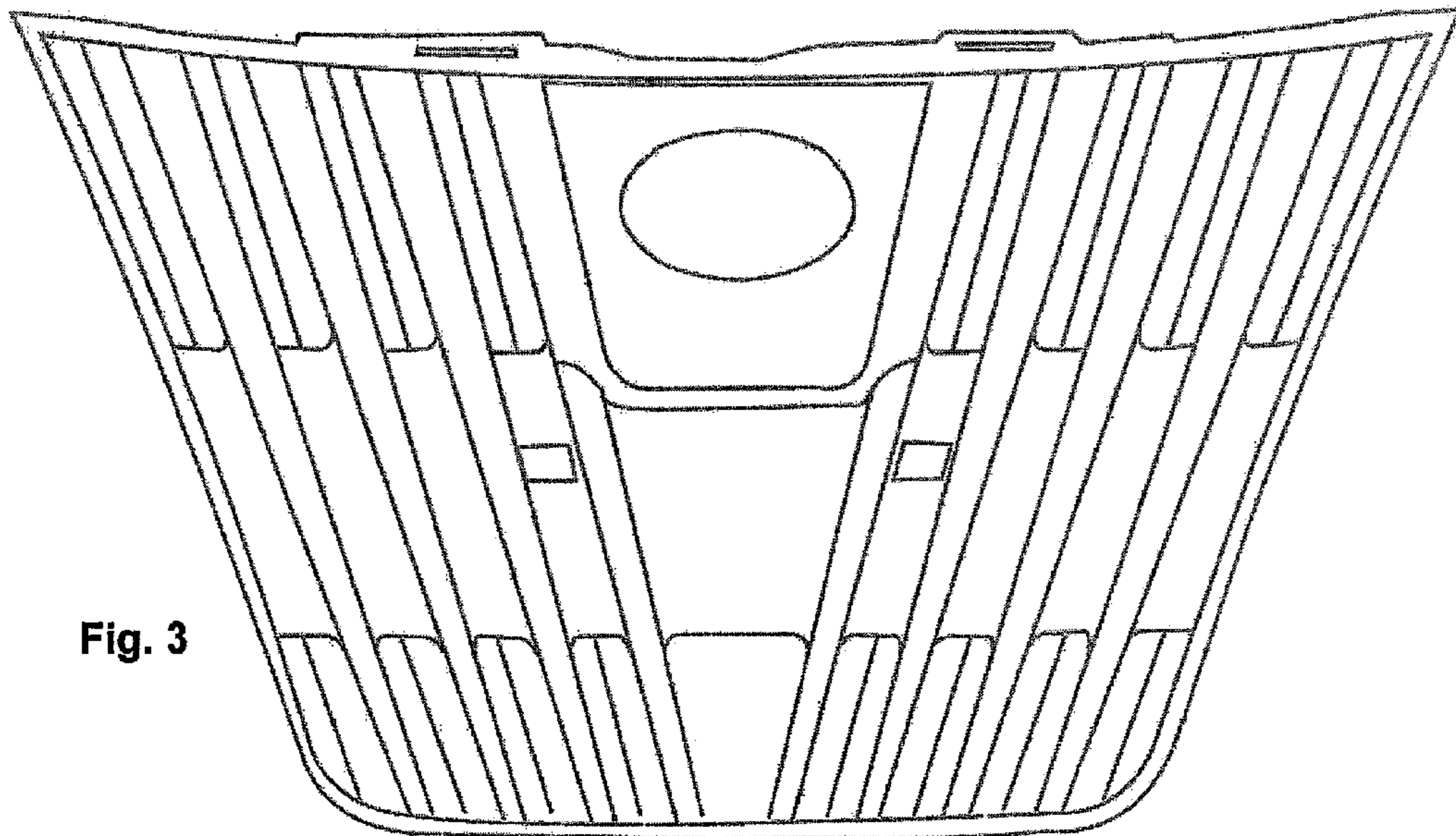


Fig. 3

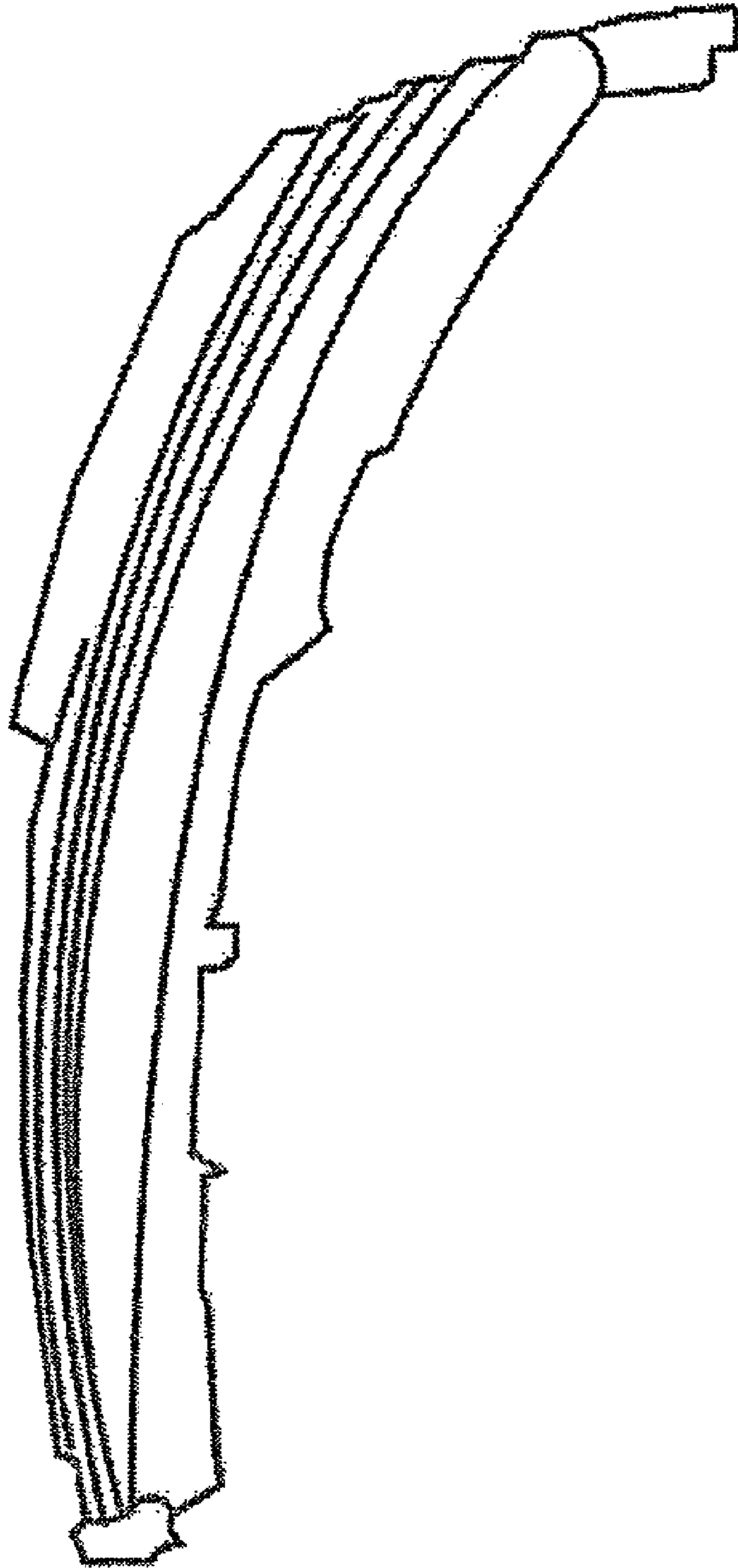


Fig. 4

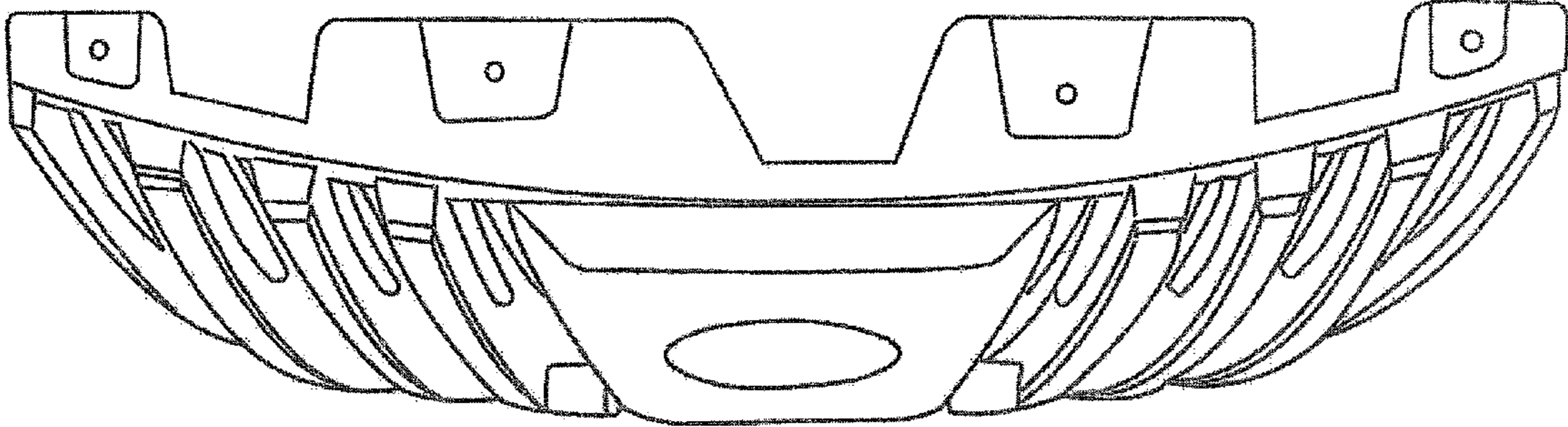


Fig. 5

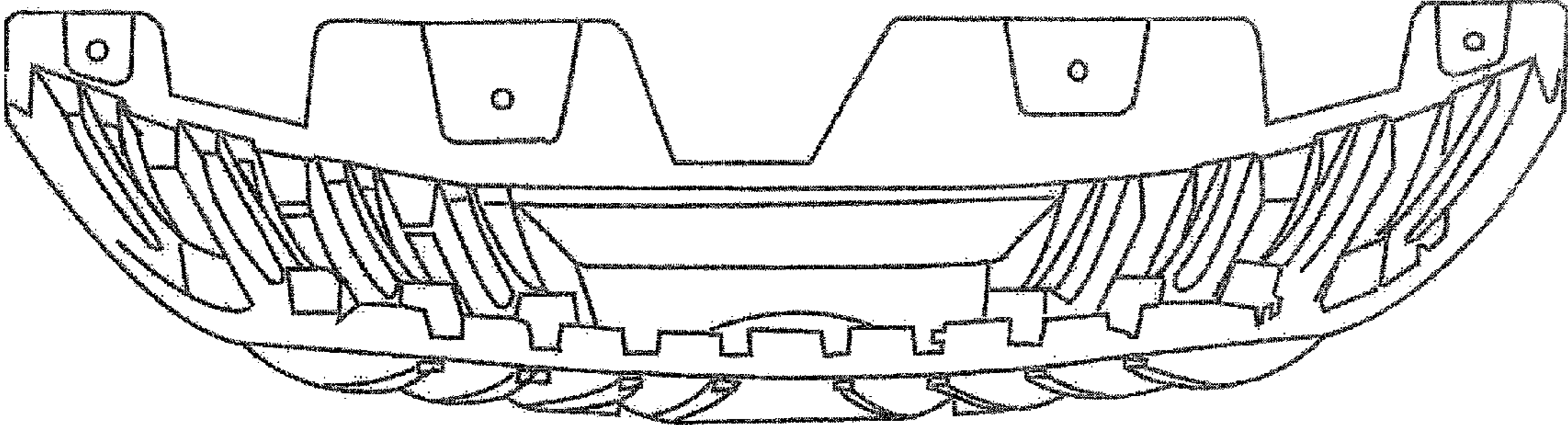


Fig. 6

UNITED STATES PATENT AND TRADEMARK OFFICE
CERTIFICATE OF CORRECTION

PATENT NO. : Des. 572,178 S
APPLICATION NO. : 29/283045
DATED : July 1, 2008
INVENTOR(S) : Chunhong Zheng

Page 1 of 1

It is certified that error appears in the above-identified patent and that said Letters Patent is hereby corrected as shown below:

On the first page of the patent, please correct the Assignee's name as shown.

Change "Great Wall Motor Company, Limited" to --Great Wall Motor Company Limited--

Signed and Sealed this

Second Day of December, 2008

A handwritten signature in black ink that reads "Jon W. Dudas". The signature is written in a cursive style with a large, looped initial "J".

JON W. DUDAS

Director of the United States Patent and Trademark Office