



US00D572176S

(12) **United States Design Patent**
Cunningham

(10) **Patent No.:** **US D572,176 S**

(45) **Date of Patent:** **** Jul. 1, 2008**

(54) **PORTION OF A VEHICLE GRILLE**

D527,694 S * 9/2006 Chung D12/163
D531,555 S * 11/2006 Hooper D12/163

(75) Inventor: **Roy Curtis Cunningham**, Belton, MO
(US)

* cited by examiner

(73) Assignee: **Carriage Works, Inc.**, Grandview, MO
(US)

Primary Examiner—Melody N Brown
(74) *Attorney, Agent, or Firm*—Shook, Hardy & Bacon,
L.L.P.

(**) Term: **14 Years**

(57) **CLAIM**

(21) Appl. No.: **29/281,551**

The ornamental design for a portion of a vehicle grille, as shown and described.

(22) Filed: **Jun. 26, 2007**

(51) **LOC (8) Cl.** **12-16**

(52) **U.S. Cl.** **D12/163**

(58) **Field of Classification Search** D12/163,
D12/171, 196, 216, 90-92, 86; 180/68.1,
180/68.6; 296/193.11

See application file for complete search history.

DESCRIPTION

FIG. 1 is a perspective view of a portion of a vehicle grille showing the new design;

FIG. 2 is front elevational view thereof; and,

FIG. 3 is a right side elevational view thereof, a left side elevational view thereof being a mirror image of the right side elevational view.

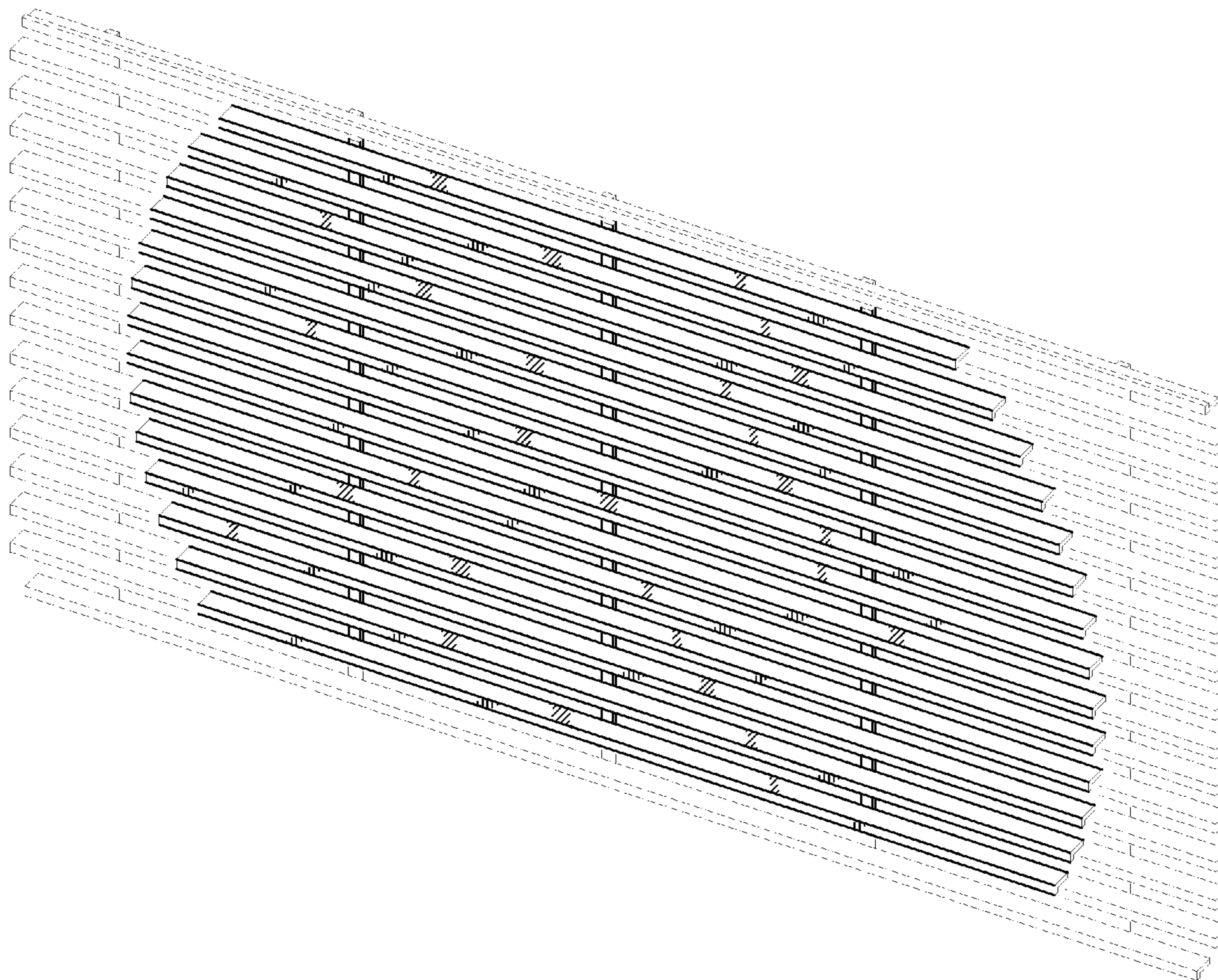
The top view, bottom view and rear view of the portion of a vehicle grille not shown are disclaimed. The broken line portion showing the remainder of the vehicle grill is for illustrative purposes only and forms no part of the claimed design.

(56) **References Cited**

U.S. PATENT DOCUMENTS

D312,438 S *	11/1990	Licata	D12/163
D473,828 S *	4/2003	Leazenby	D12/163
D475,002 S *	5/2003	Leazenby	D12/163
D510,302 S *	10/2005	Sugimoto	D12/163
D526,605 S *	8/2006	Chung	D12/163

1 Claim, 2 Drawing Sheets



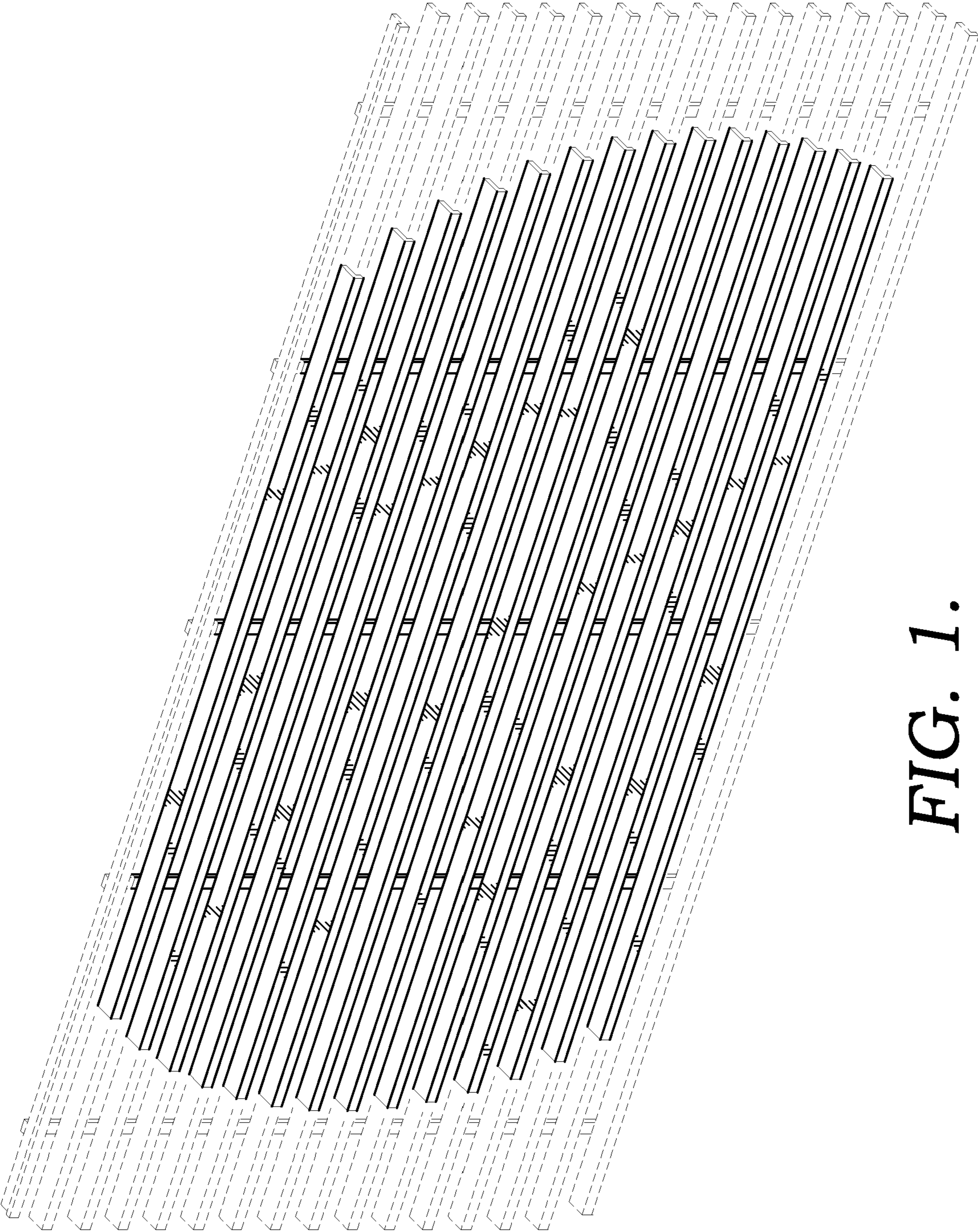


FIG. 1.

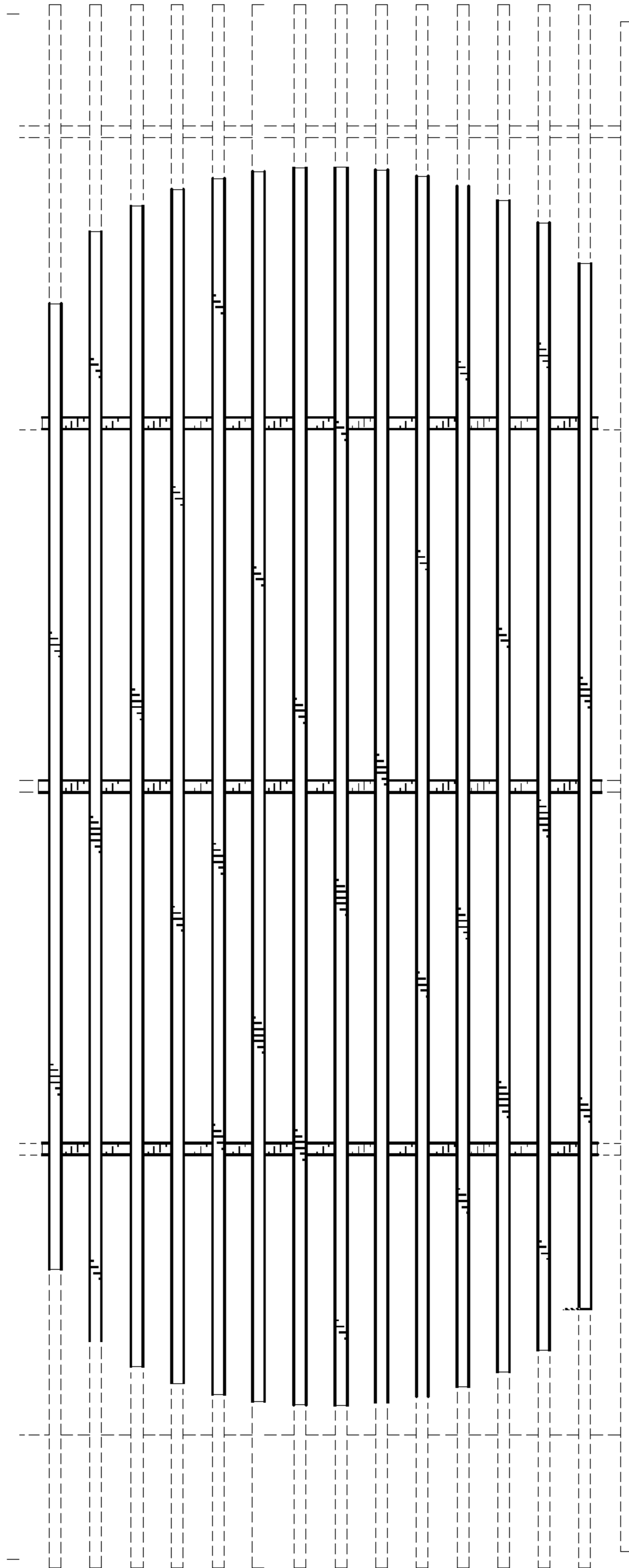


FIG. 2.

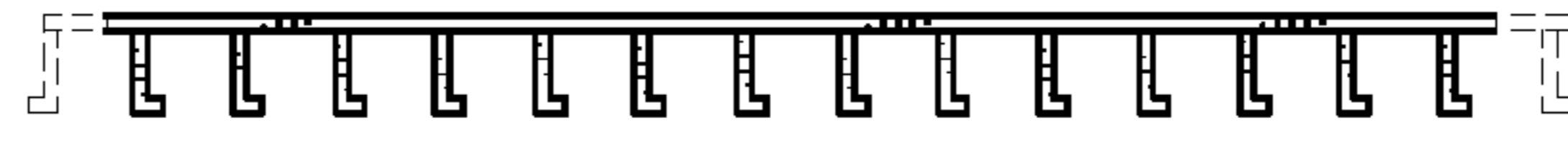


FIG. 3.