



US00D572172S

(12) **United States Design Patent**
Huang

(10) **Patent No.:** **US D572,172 S**

(45) **Date of Patent:** **** Jul. 1, 2008**

(54) **MOTORCYCLE**

D443,849 S * 6/2001 Chen D12/110
D557,638 S * 12/2007 Nakamura et al. D12/110

(75) Inventor: **Tianxing Huang**, Jiangmen (CN)

* cited by examiner

(73) Assignee: **Jiangmen Dihao Motorcycle Co., Ltd**,
Jiangmen (CN)

Primary Examiner—Cathron Brooks
Assistant Examiner—Linda Brooks

(**) Term: **14 Years**

(57) **CLAIM**

(21) Appl. No.: **29/281,399**

The ornamental design for a motorcycle, as shown.

(22) Filed: **Jun. 21, 2007**

DESCRIPTION

(51) **LOC (8) Cl.** **12-11**

(52) **U.S. Cl.** **D12/110**

(58) **Field of Classification Search** D12/110;
180/219, 225, 229, 220

FIG. 1 is a front elevational view of a motorcycle showing my new design;

FIG. 2 is a rear elevational view thereof;

FIG. 3 is a right side view thereof;

FIG. 4 is a left side view thereof;

FIG. 5 is a top plan view thereof;

FIG. 6 is a bottom plan view thereof; and,

FIG. 7 is a perspective view thereof.

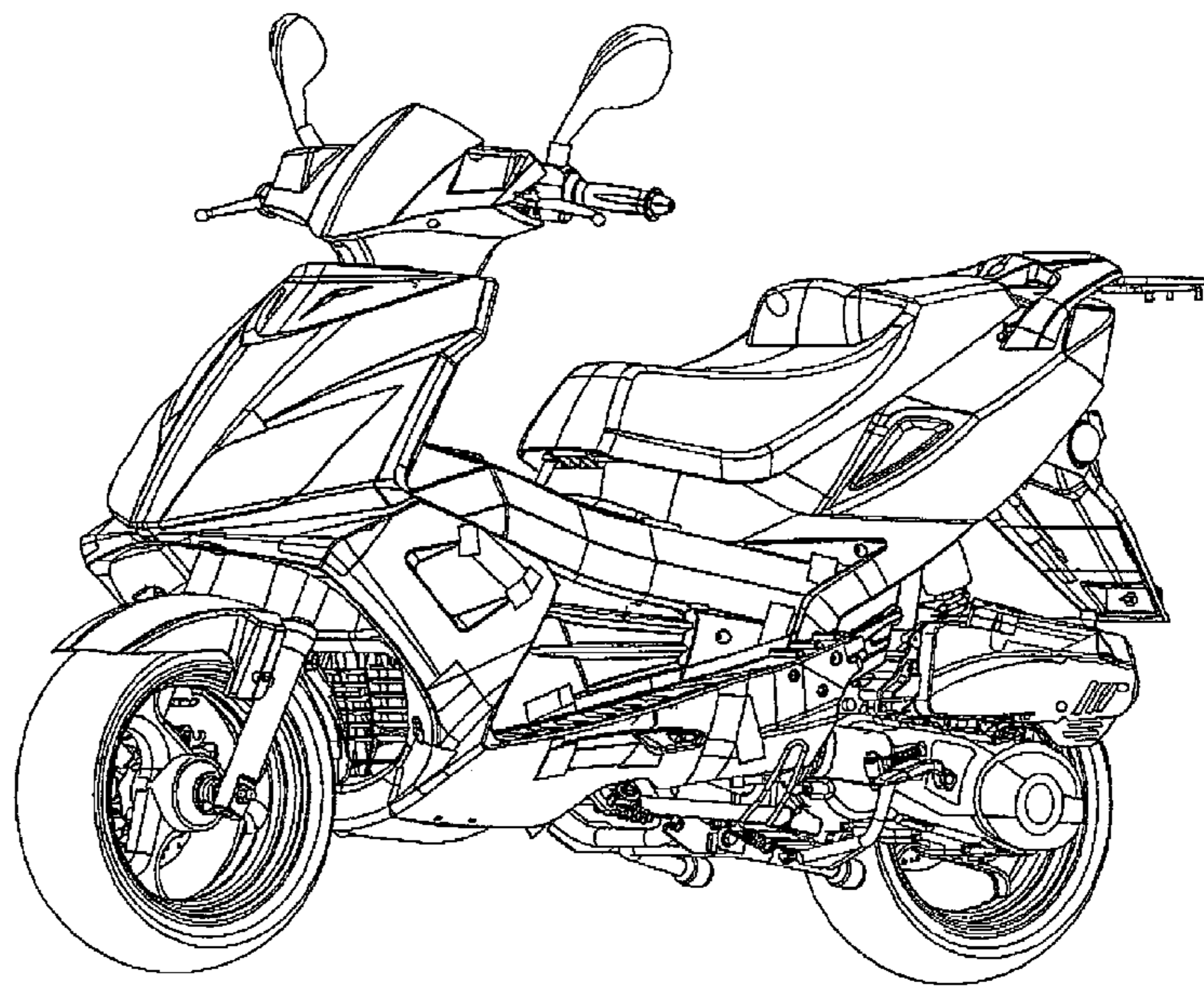
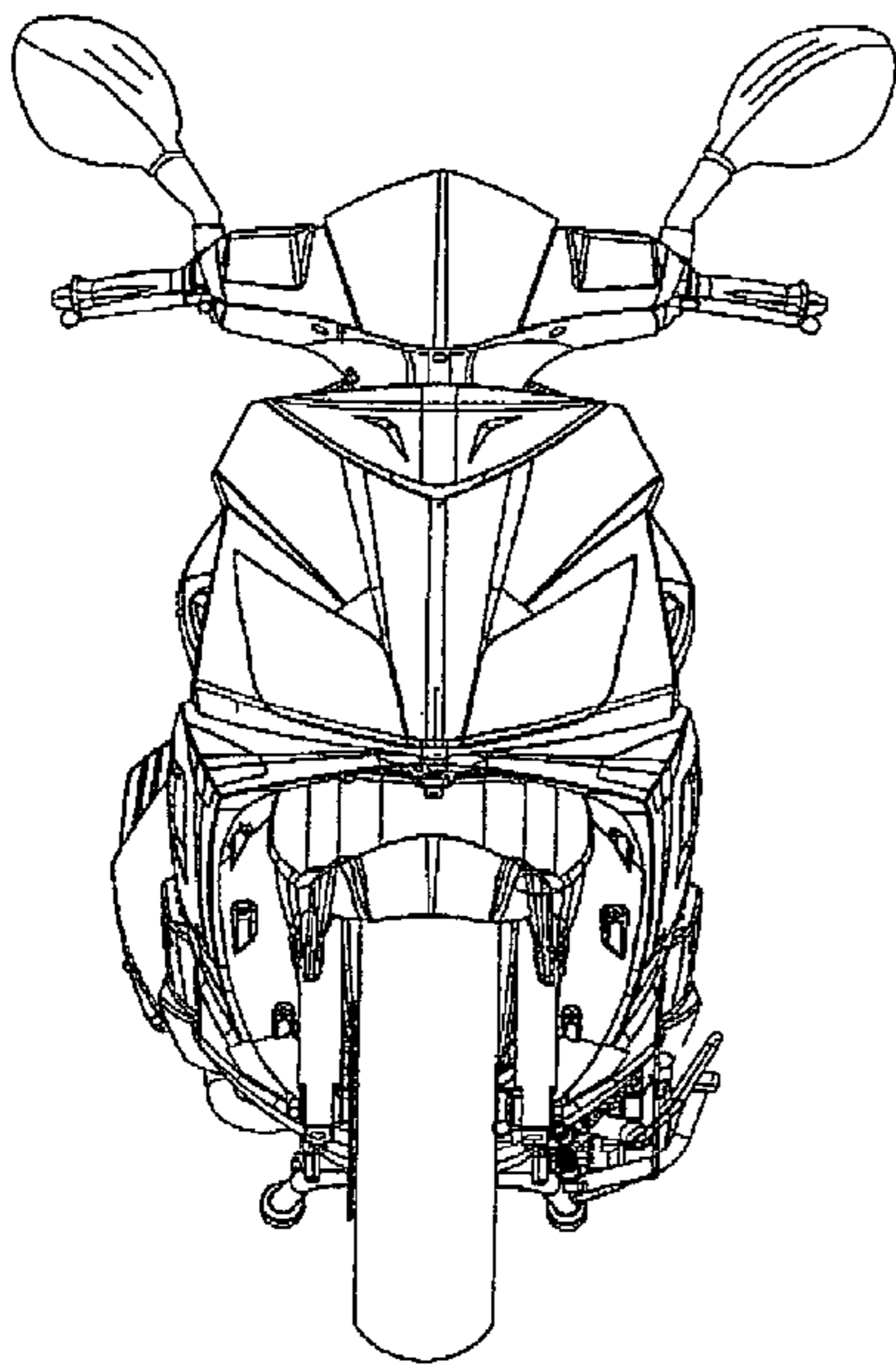
See application file for complete search history.

(56) **References Cited**

U.S. PATENT DOCUMENTS

- D331,553 S * 12/1992 Agnolucci D12/110
- D341,341 S * 11/1993 Nakamura et al. D12/110
- D399,174 S * 10/1998 Takeshita et al. D12/110
- D427,944 S * 7/2000 Sakuma et al. D12/110

1 Claim, 7 Drawing Sheets



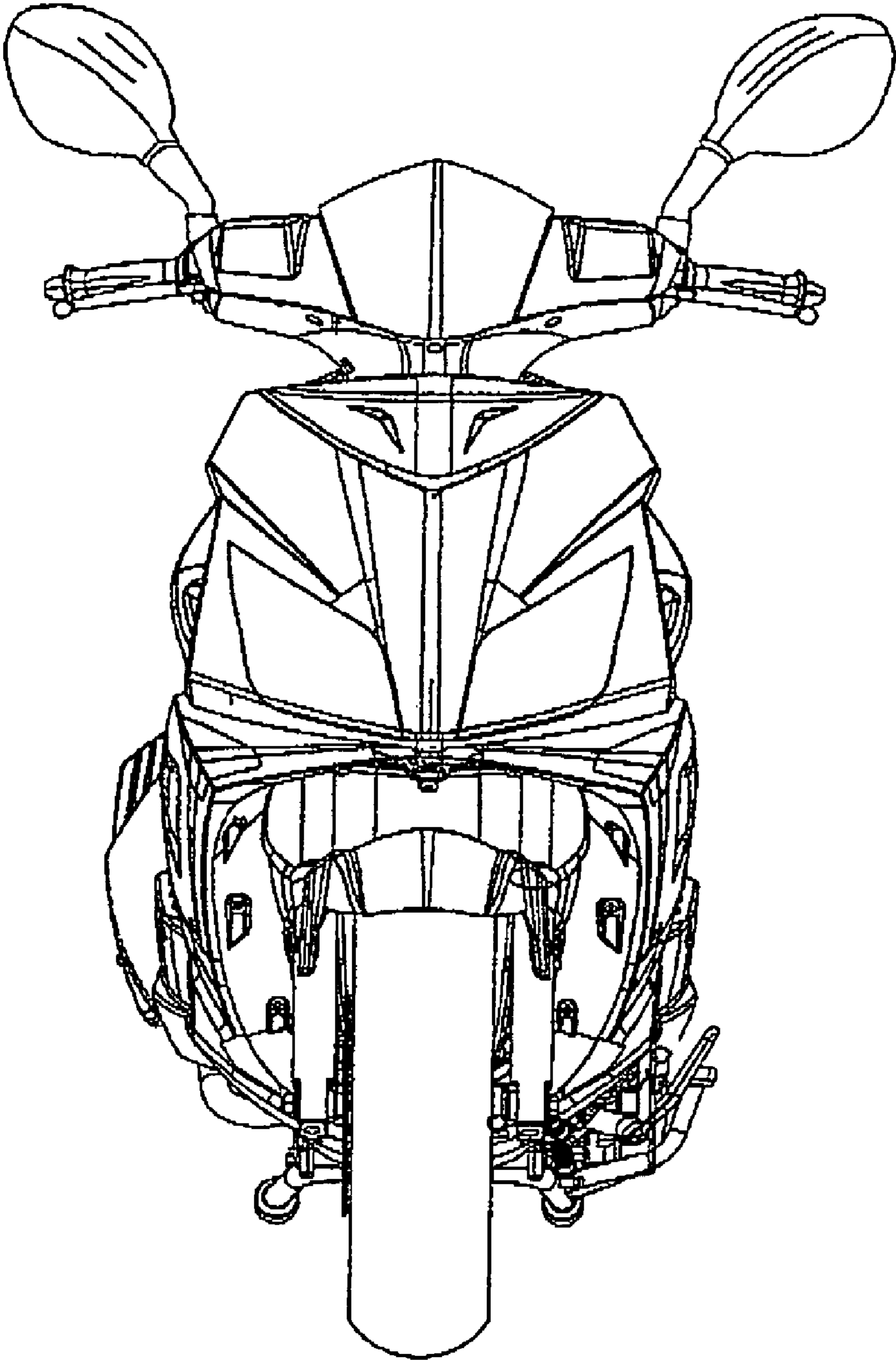


FIG. 1

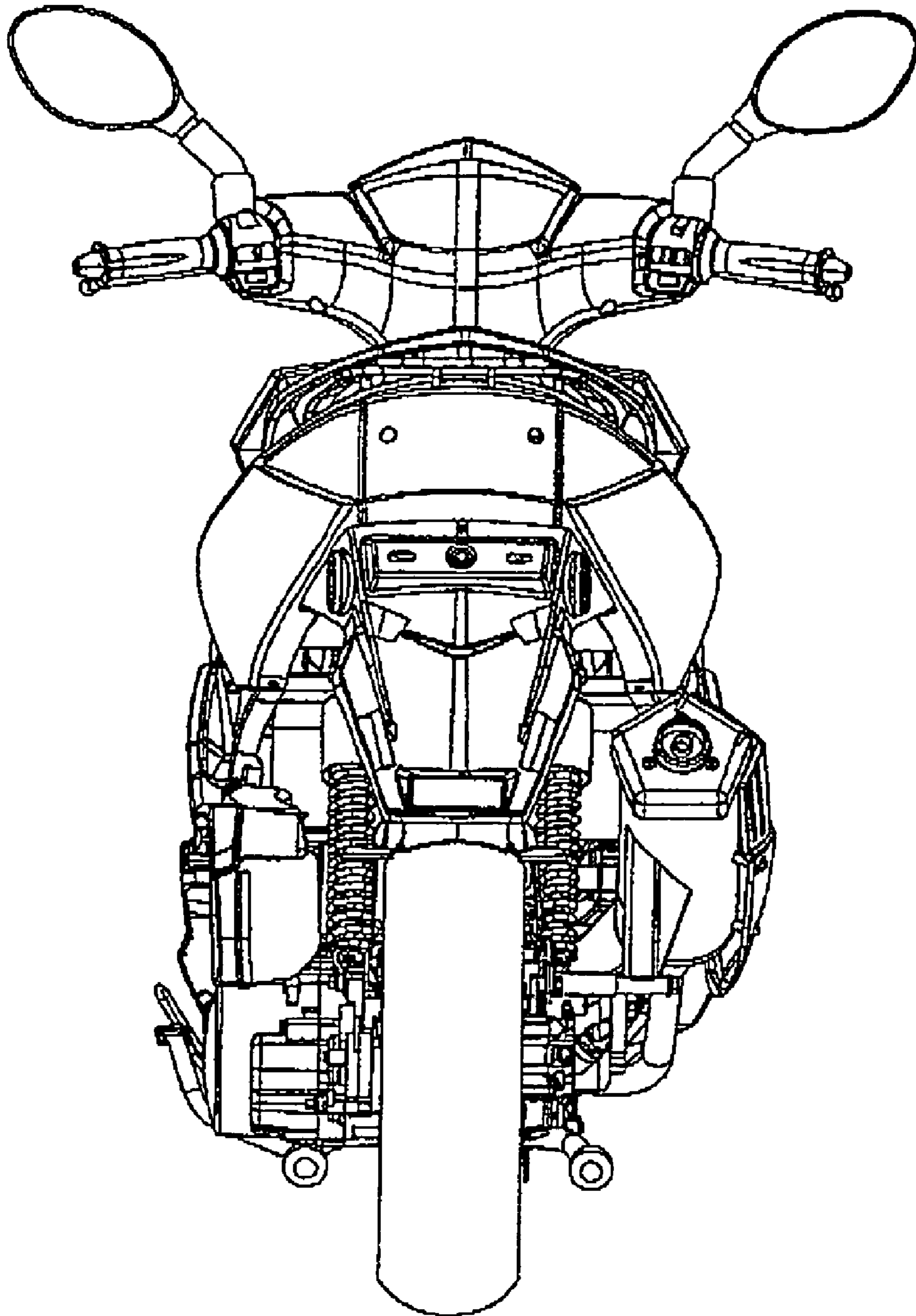


FIG. 2

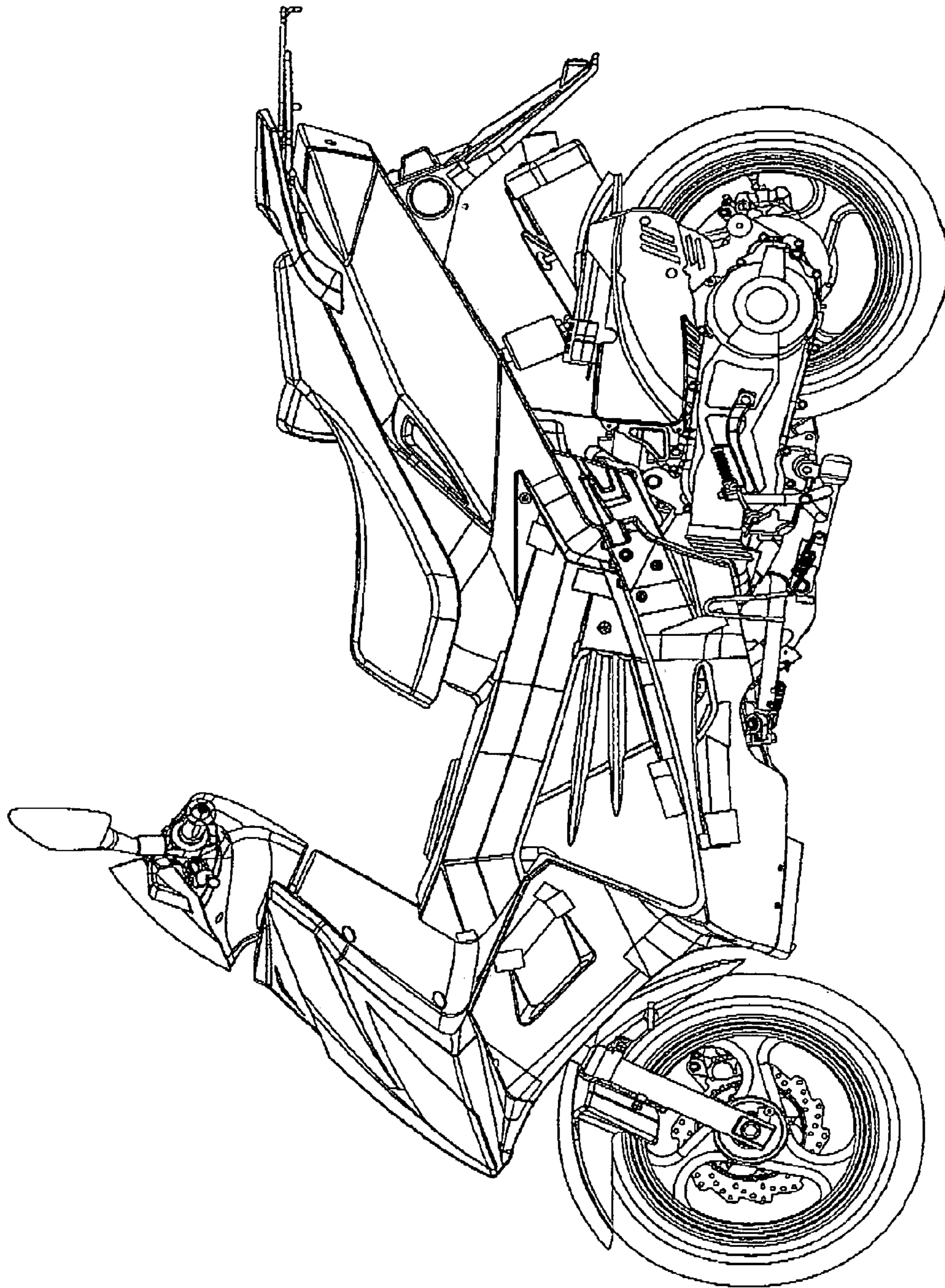


FIG. 3

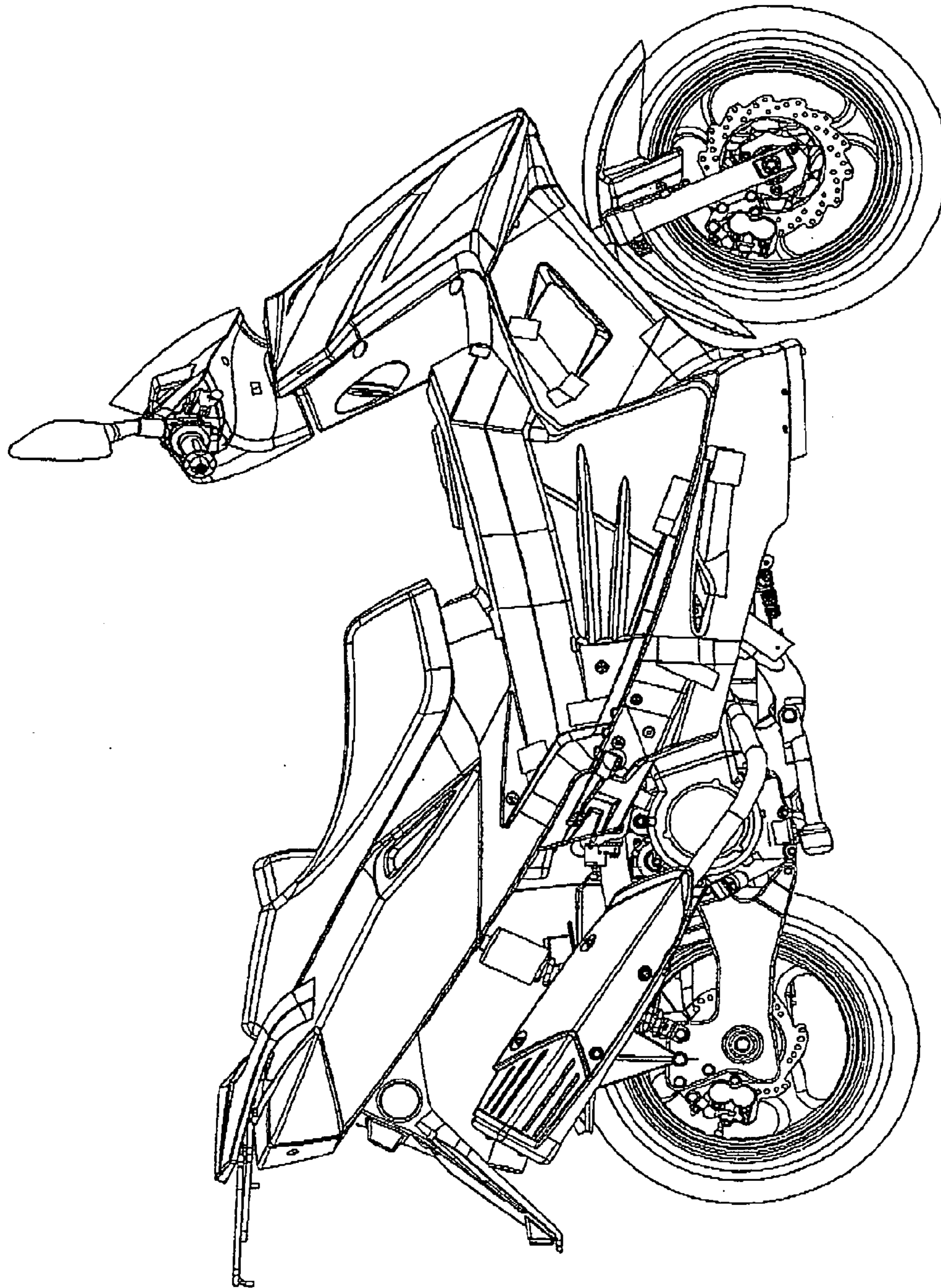


FIG. 4

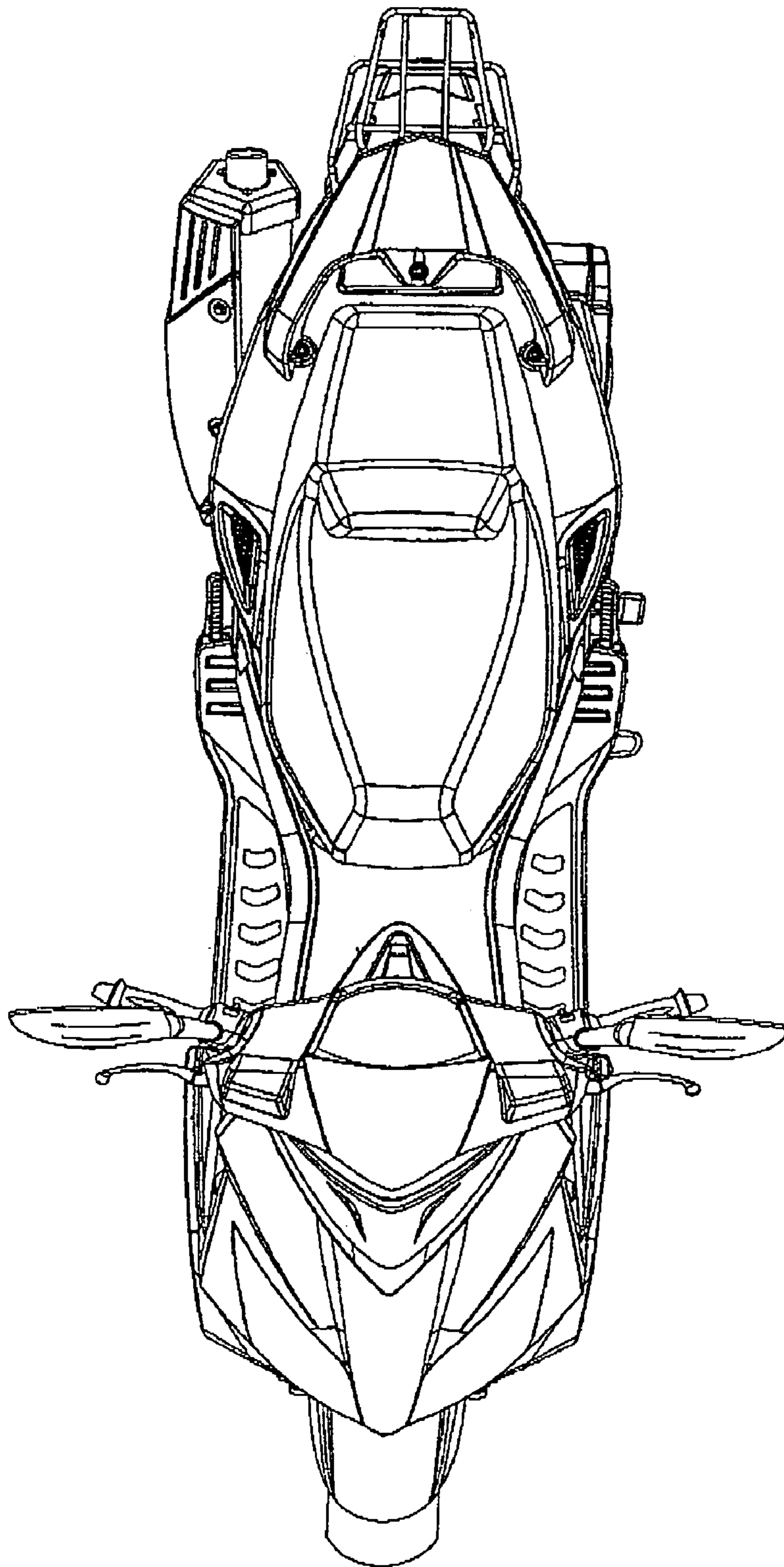


FIG. 5

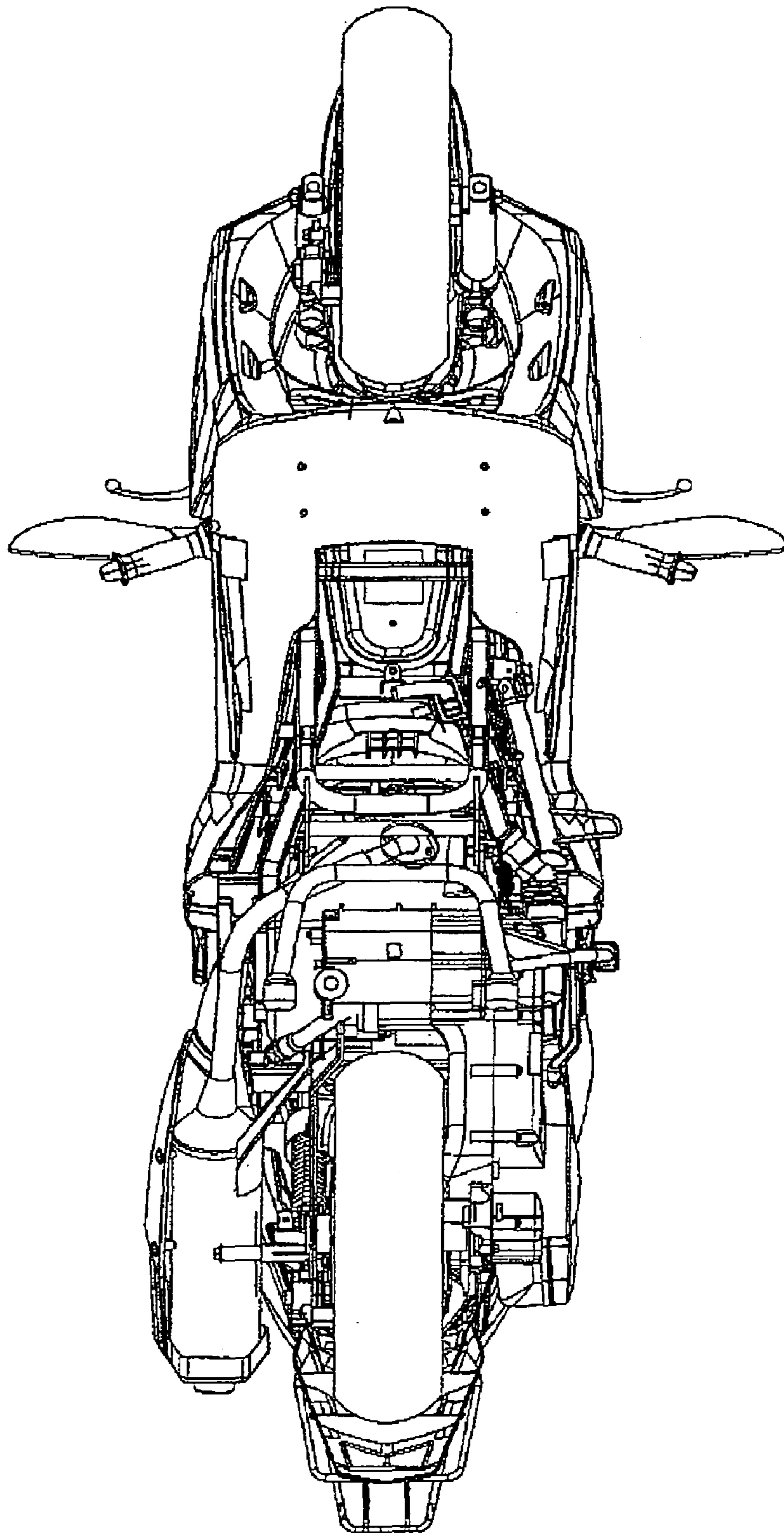


FIG. 6

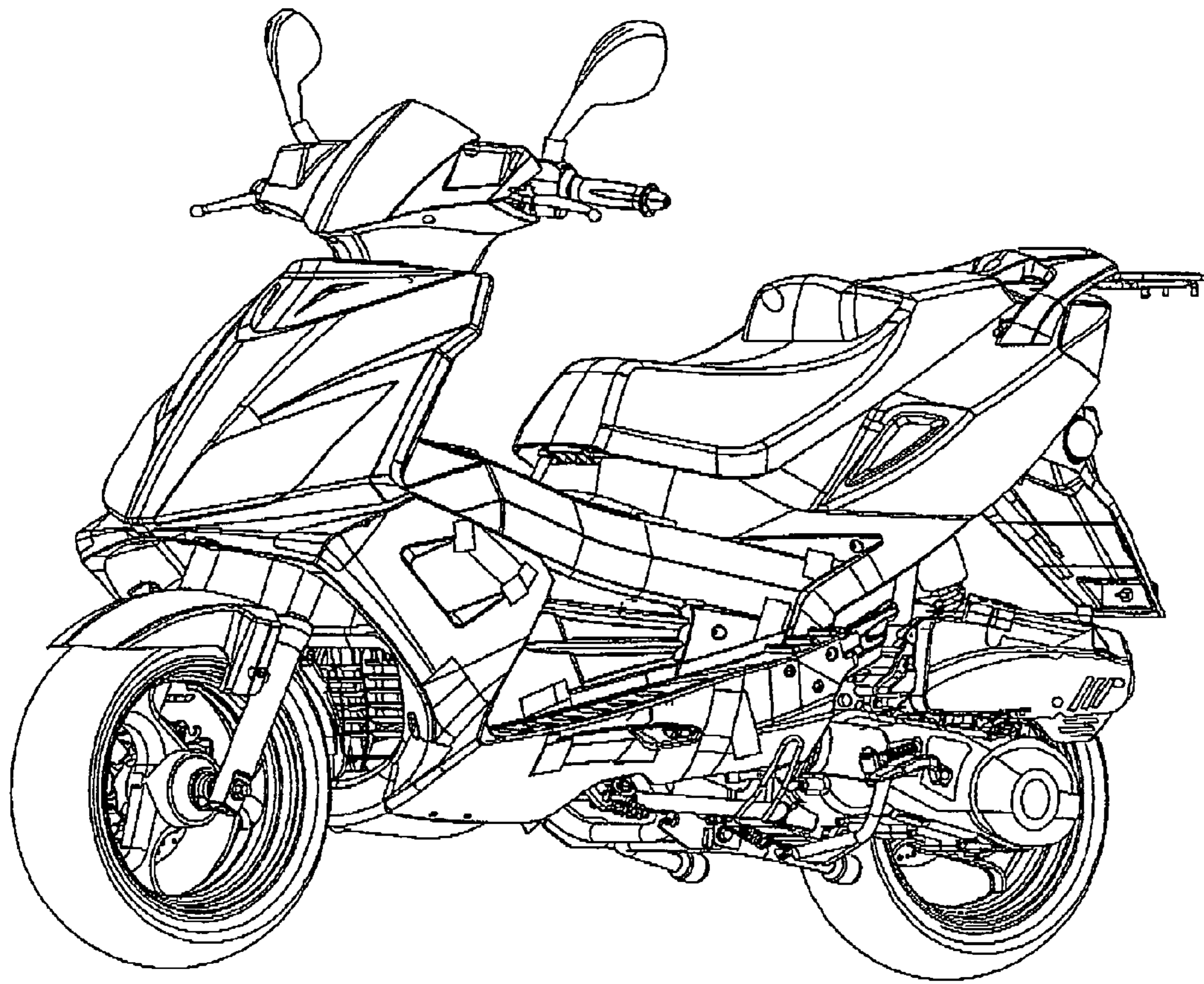


FIG. 7