



US00D572170S

(12) **United States Design Patent**
Nielsen

(10) **Patent No.:** **US D572,170 S**
(45) **Date of Patent:** **** Jul. 1, 2008**

(54) **KEY RING HOLDER**

(75) Inventor: **Thomas A. Nielsen**, Galten (DK)

(73) Assignee: **McArt CAD ApS**, Galten (DK)

(**) Term: **14 Years**

(21) Appl. No.: **29/271,872**

(22) Filed: **Jan. 29, 2007**

(30) **Foreign Application Priority Data**

Jul. 27, 2006 (EM) 0566245-0001/0002

(51) **LOC (8) Cl.** **03-01**

(52) **U.S. Cl.** **D11/207**

(58) **Field of Classification Search** D3/207-212;
206/37.1; 150/147; 70/456 R, 456 B, 458-459;
24/3 K, 3.6, 100; D11/44, 48

See application file for complete search history.

(56) **References Cited**

U.S. PATENT DOCUMENTS

D373,899 S *	9/1996	Huang	D3/207
D400,349 S *	11/1998	Young	D3/208
6,006,562 A *	12/1999	Wolter	70/456 R
D435,835 S *	1/2001	Steck	D13/168
D489,888 S *	5/2004	Opolka	D3/207
D500,589 S *	1/2005	Schmitz	D3/207
D522,234 S *	6/2006	Murphy	D3/209

* cited by examiner

Primary Examiner—R. Seifert

(74) *Attorney, Agent, or Firm*—Dykema Gossett PLLC

(57) **CLAIM**

The ornamental design for a key ring holder, as shown and described.

DESCRIPTION

FIG. 1 is a top perspective view of a first embodiment of key ring holder according to my design,

FIG. 2 is a bottom perspective view thereof,

FIG. 3 is a left side view thereof, the right side view being a mirror image,

FIG. 4 is a perspective view showing the base holder activated and the ring pin separated therefrom,

FIG. 5 is a left side view thereof showing the base holder activated and the ring pin separated therefrom,

FIG. 6 is a top plan view,

FIG. 7 is a left side view,

FIG. 8 is a top perspective view of a key ring holder showing a second embodiment of my design,

FIG. 9 is a bottom perspective view of FIG. 8,

FIG. 10 is a left side view of FIG. 8, the right side view being a mirror image,

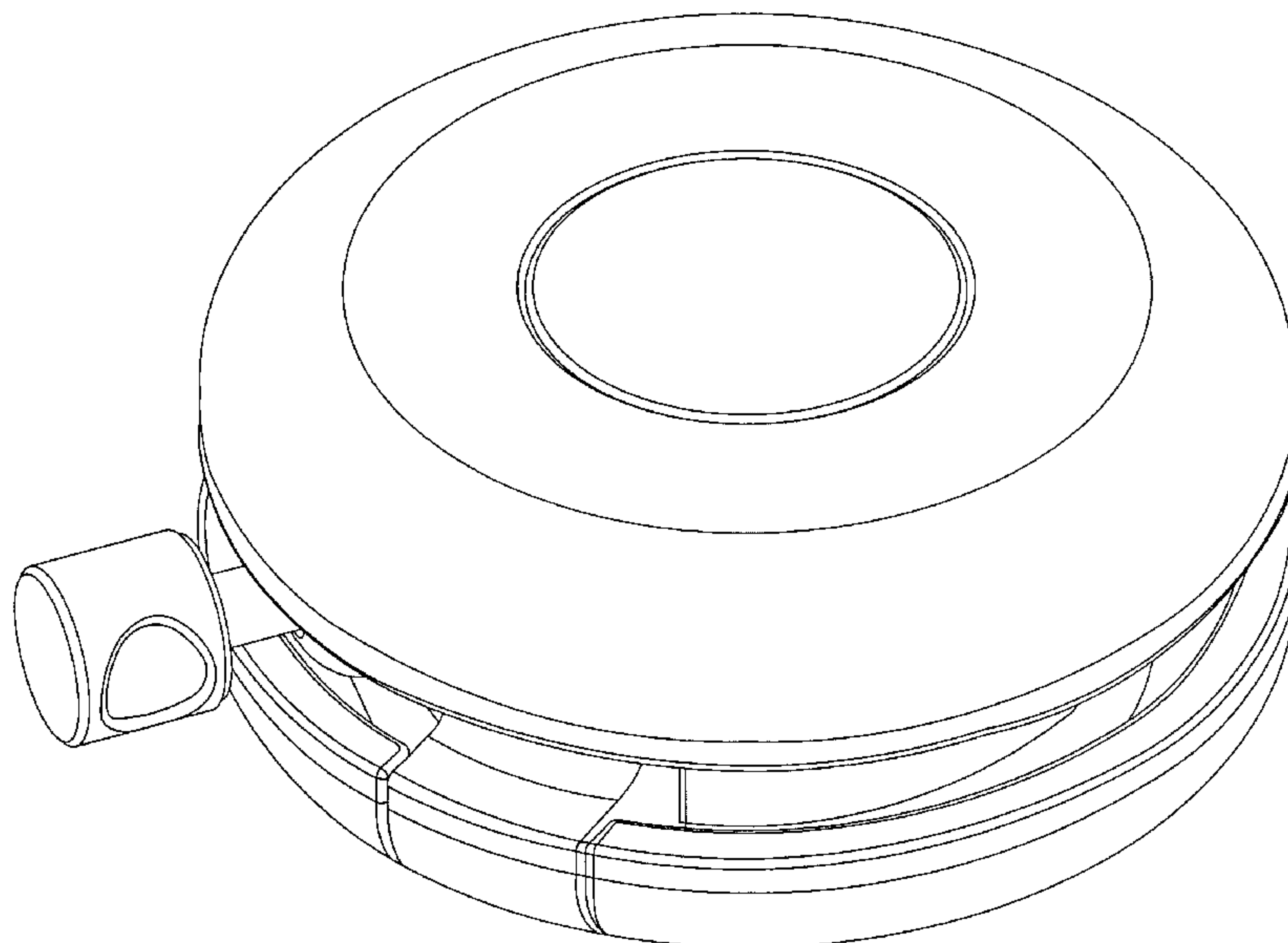
FIG. 11 is a top perspective view of FIG. 8, showing the base holder activated and the ring pin separated therefrom,

FIG. 12 is a left side view of FIG. 8, showing the base holder activated and the ring pin separated therefrom,

FIG. 13 is a top plan view of FIG. 8; and,

FIG. 14 is a left side view of FIG. 8.

1 Claim, 14 Drawing Sheets



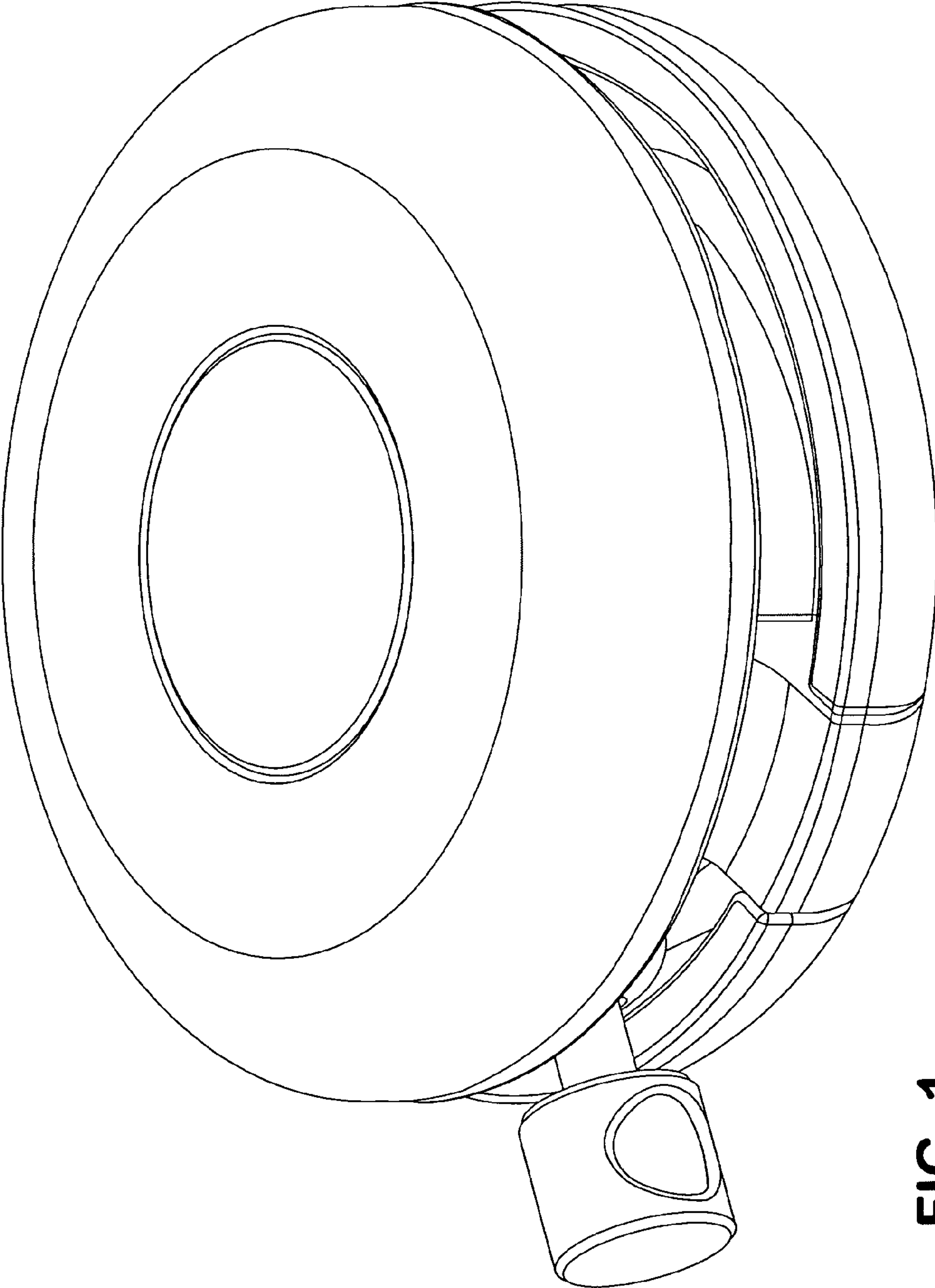


FIG. 1

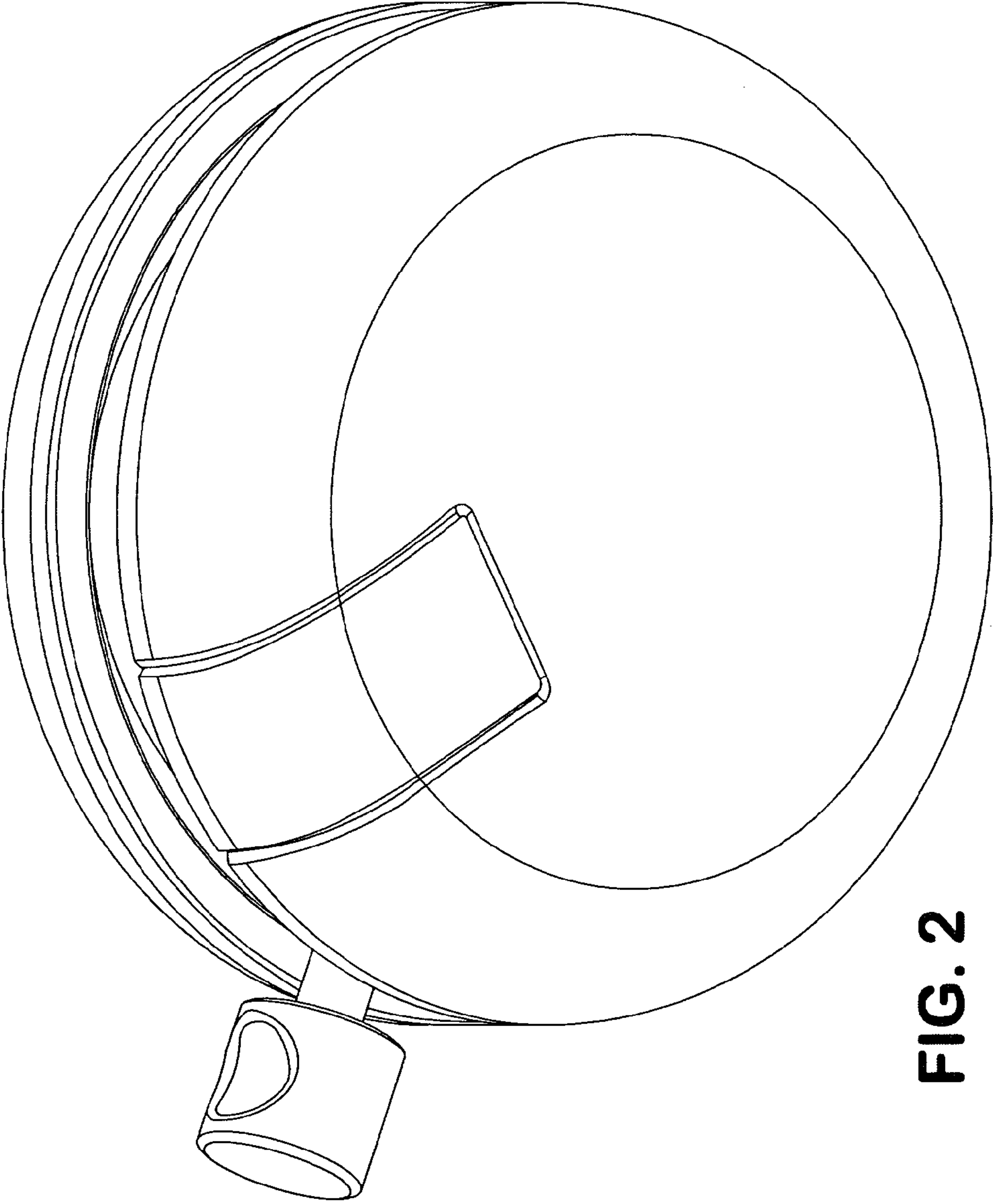


FIG. 2

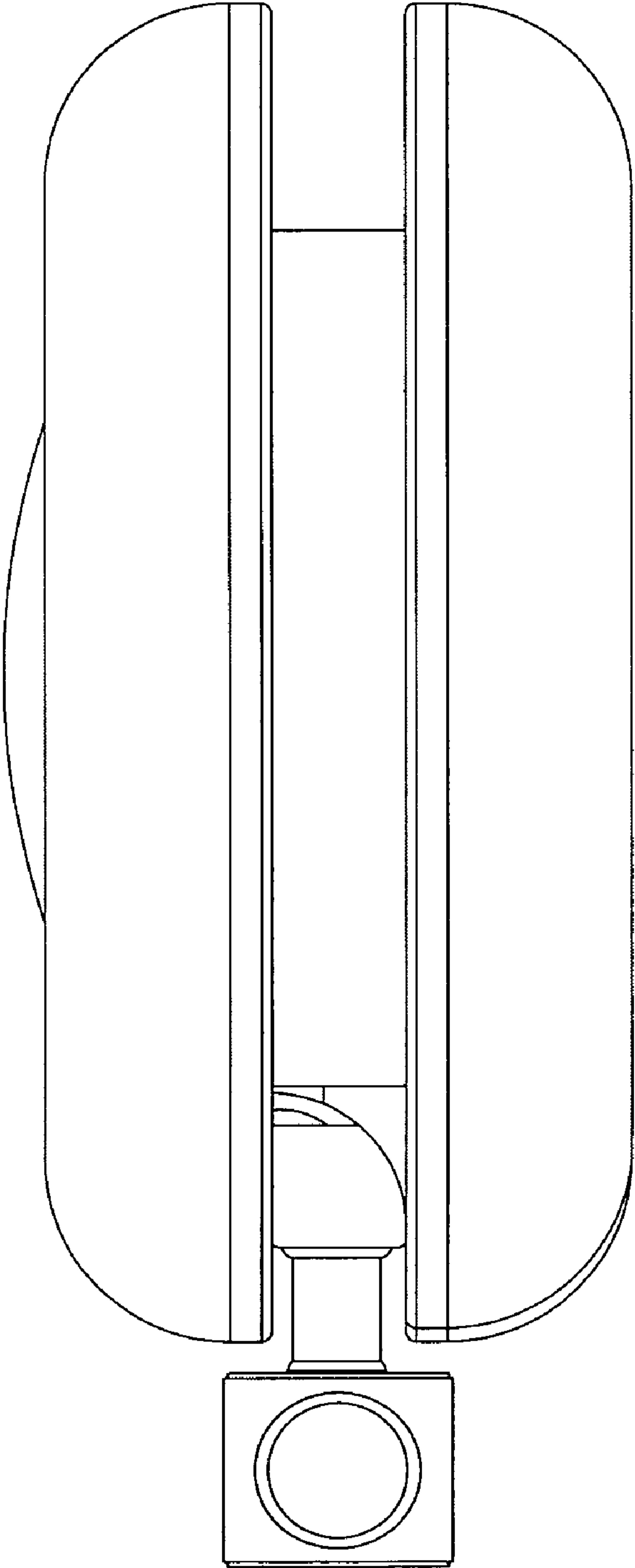


FIG. 3

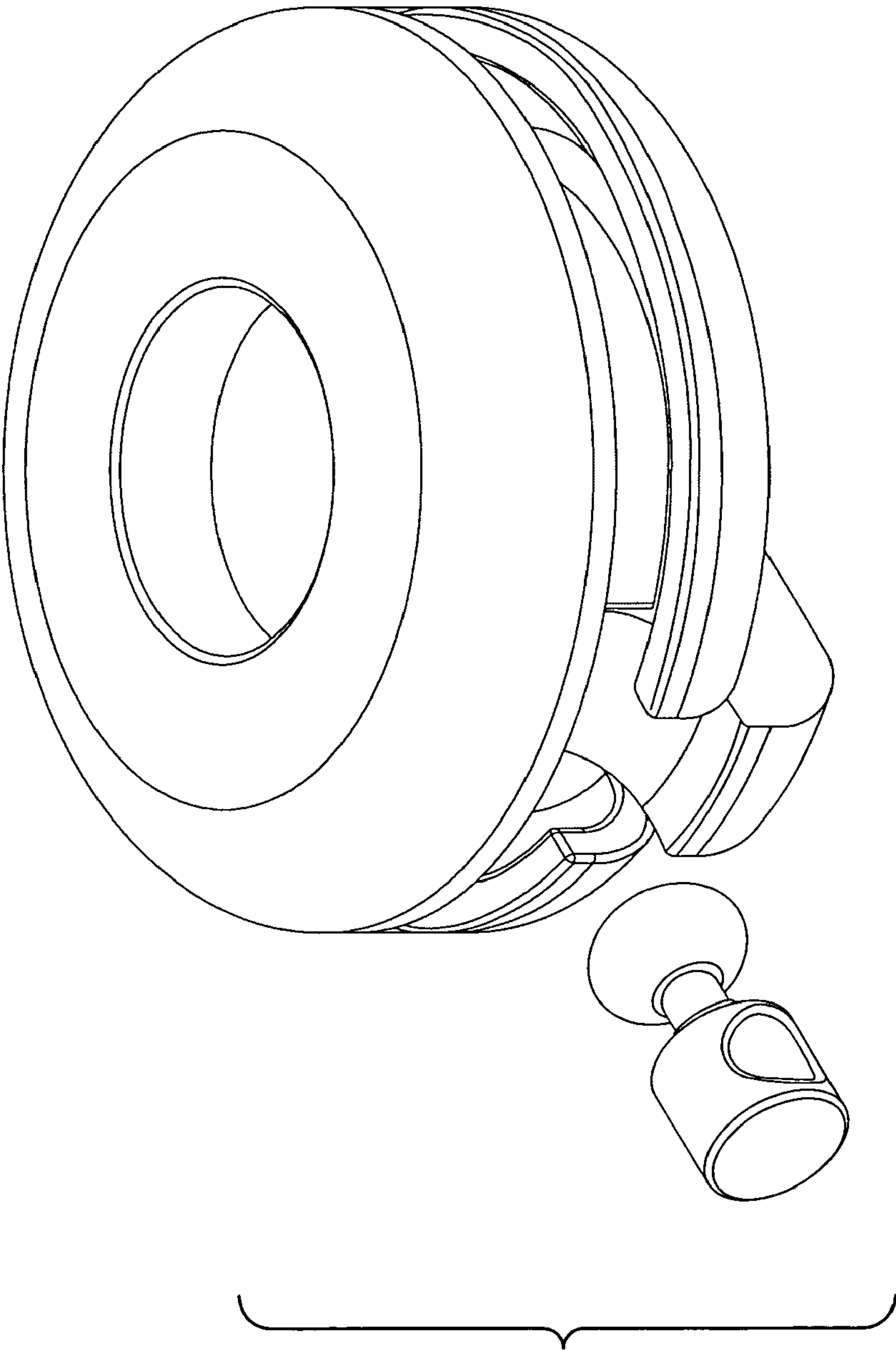


FIG. 4

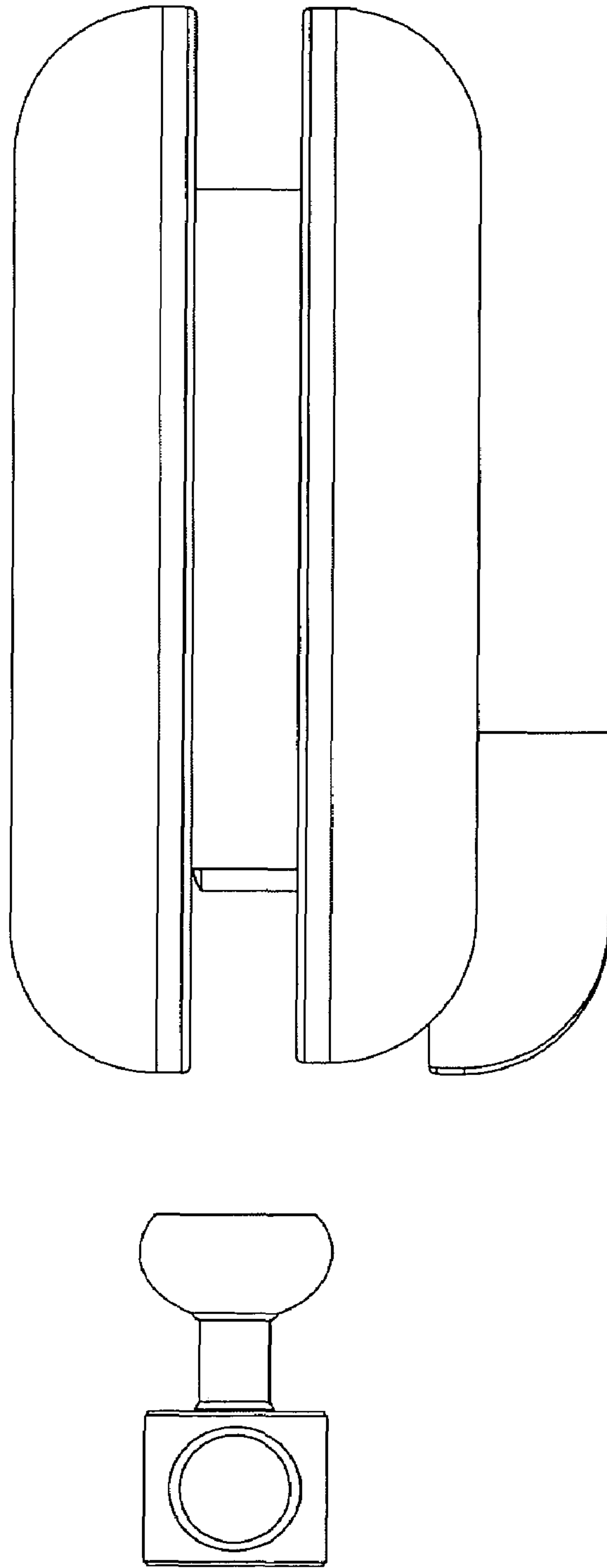


FIG. 5

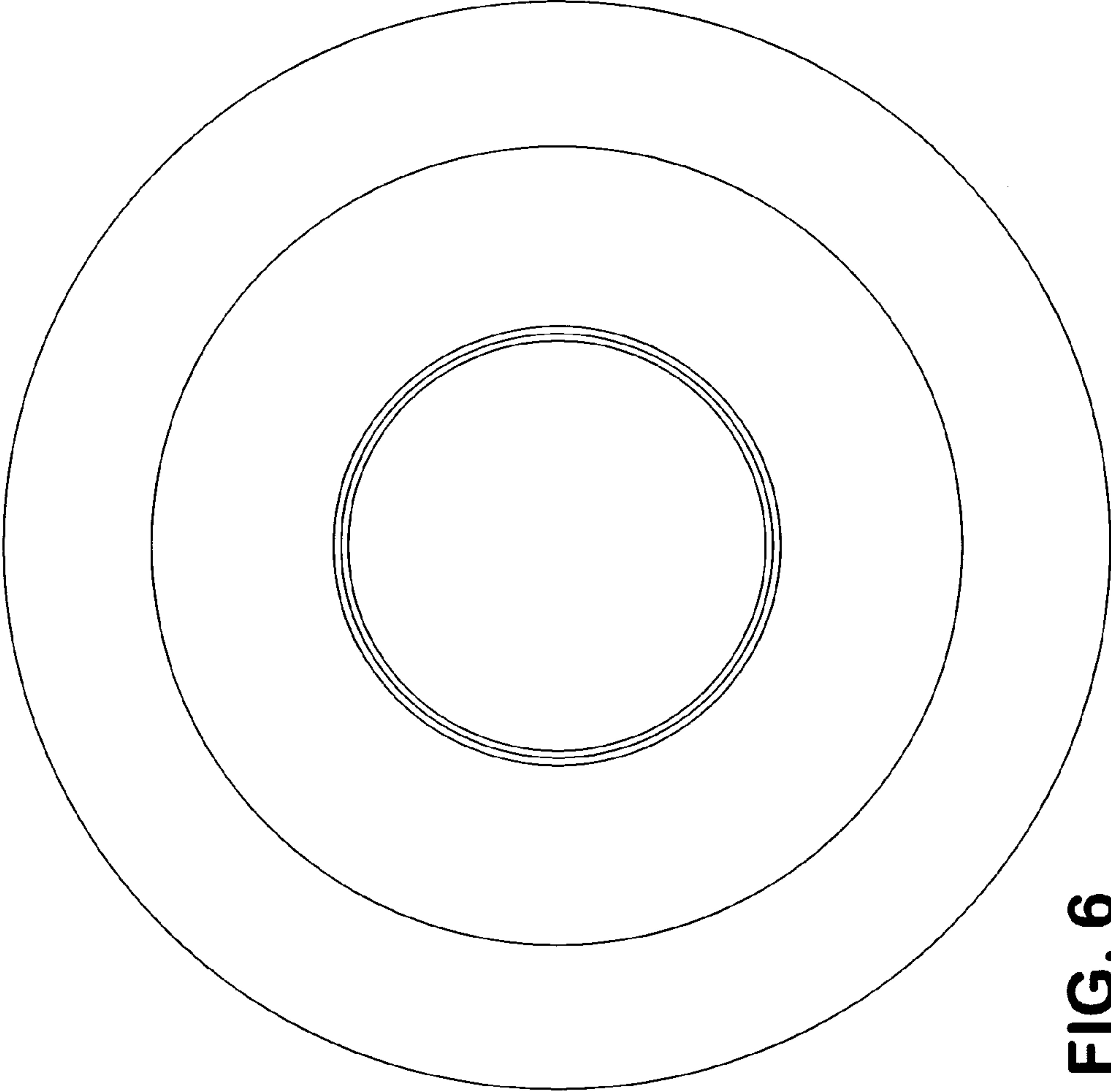


FIG. 6

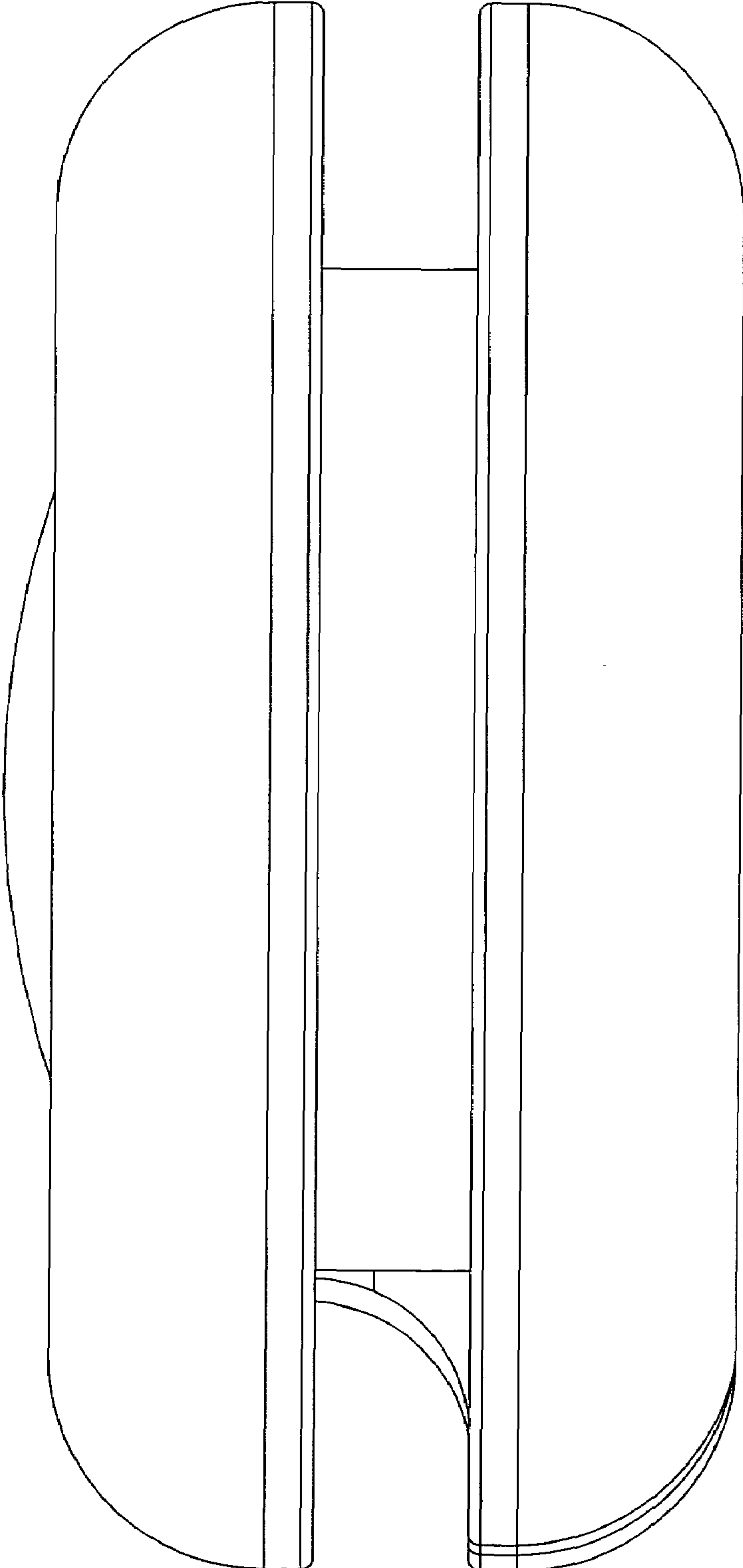


FIG. 7

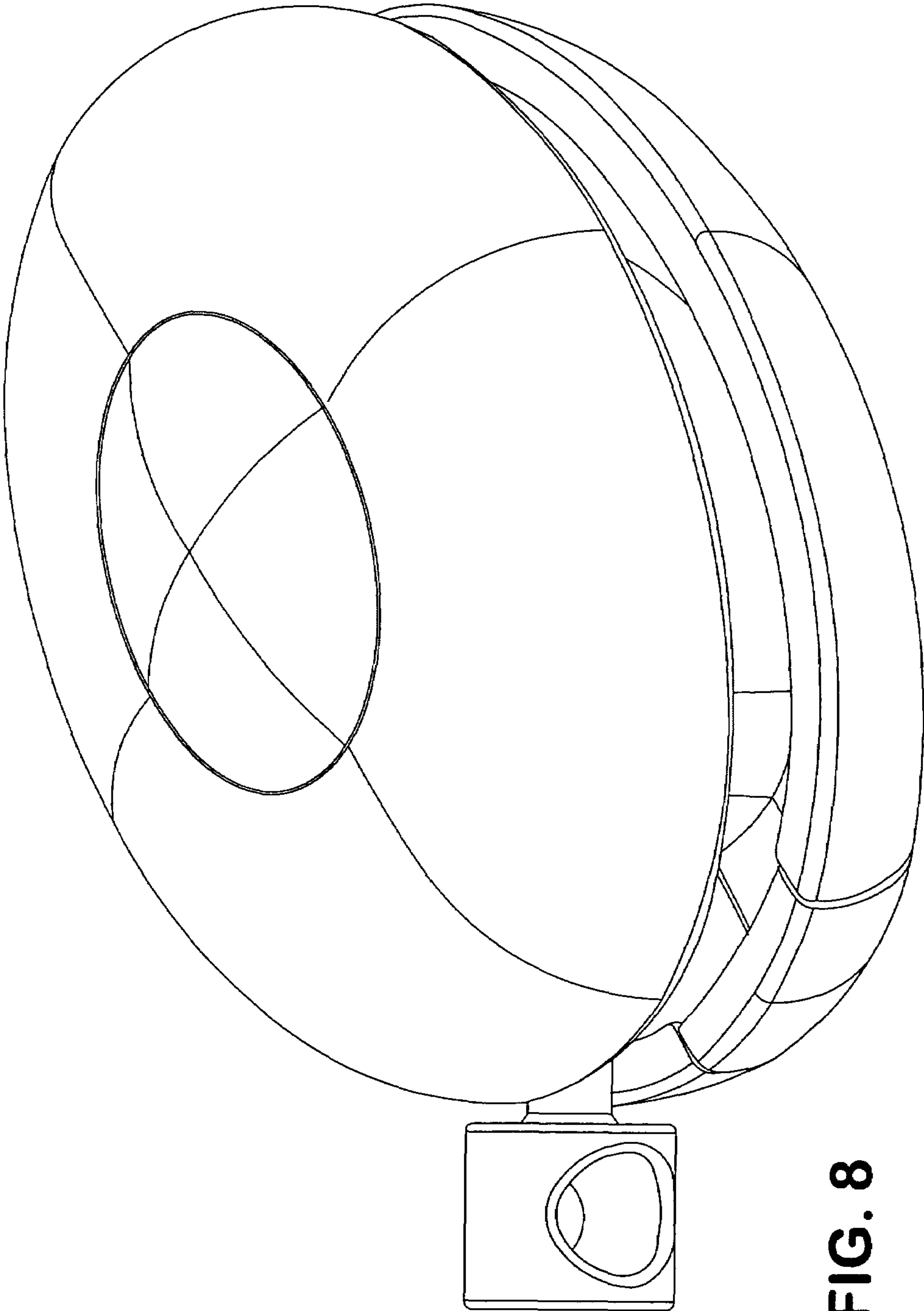


FIG. 8

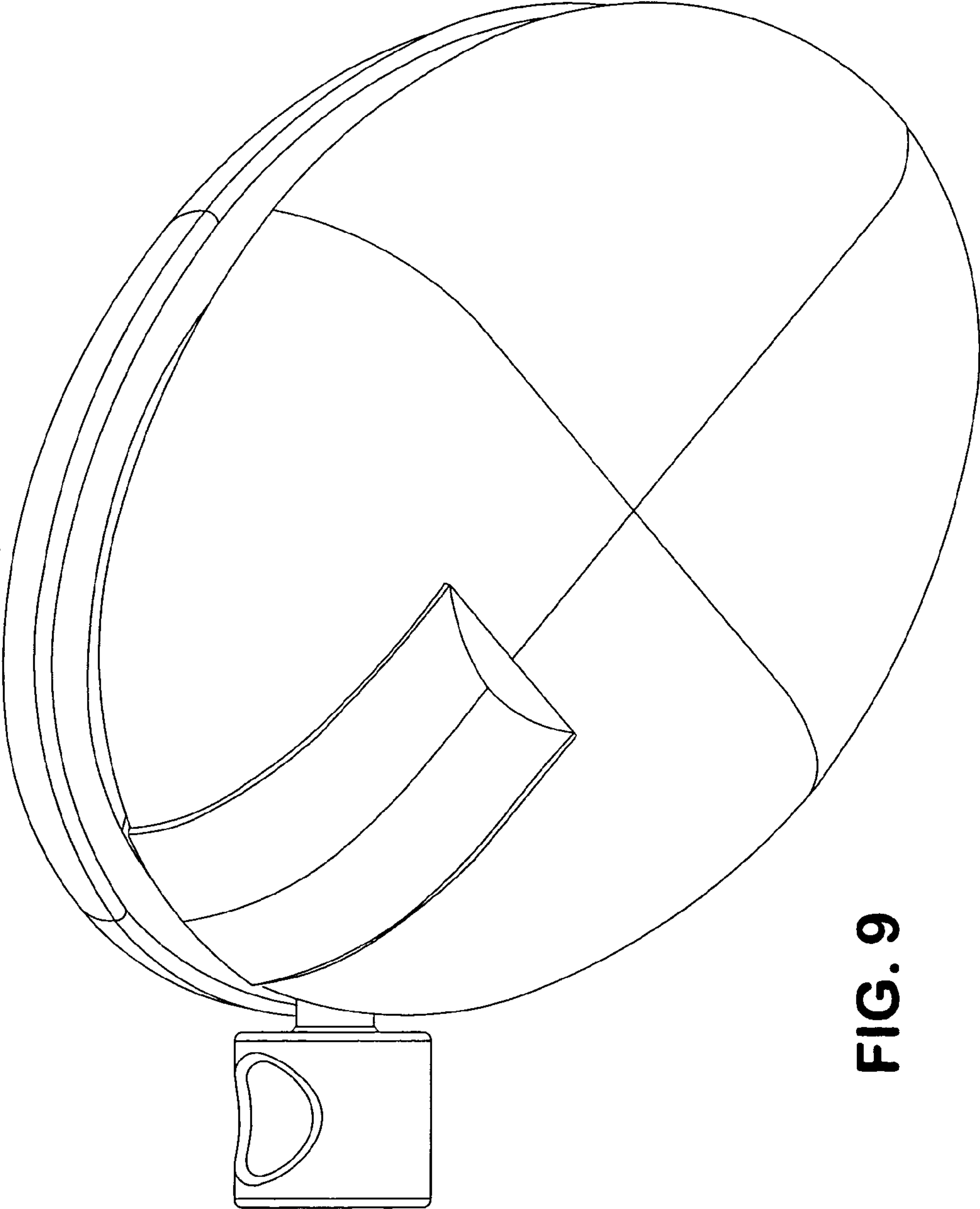


FIG. 9

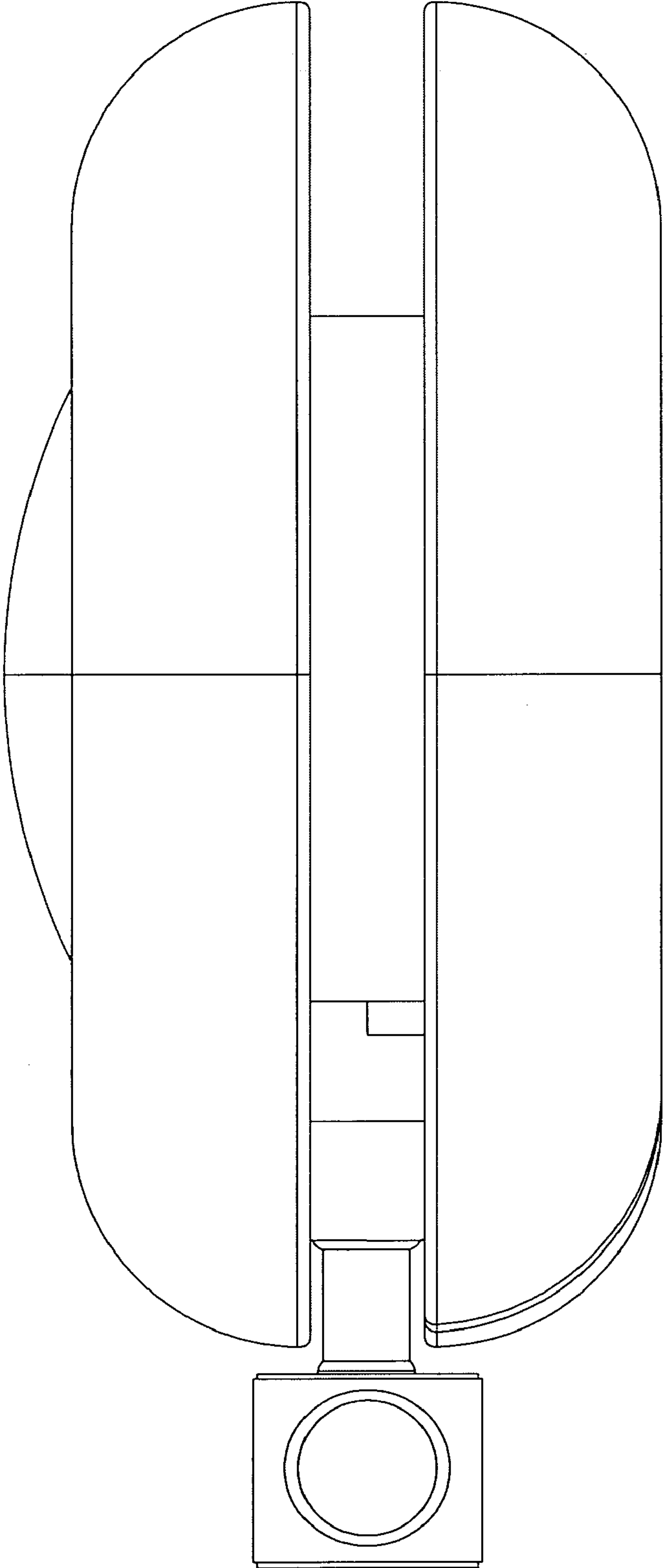


FIG. 10

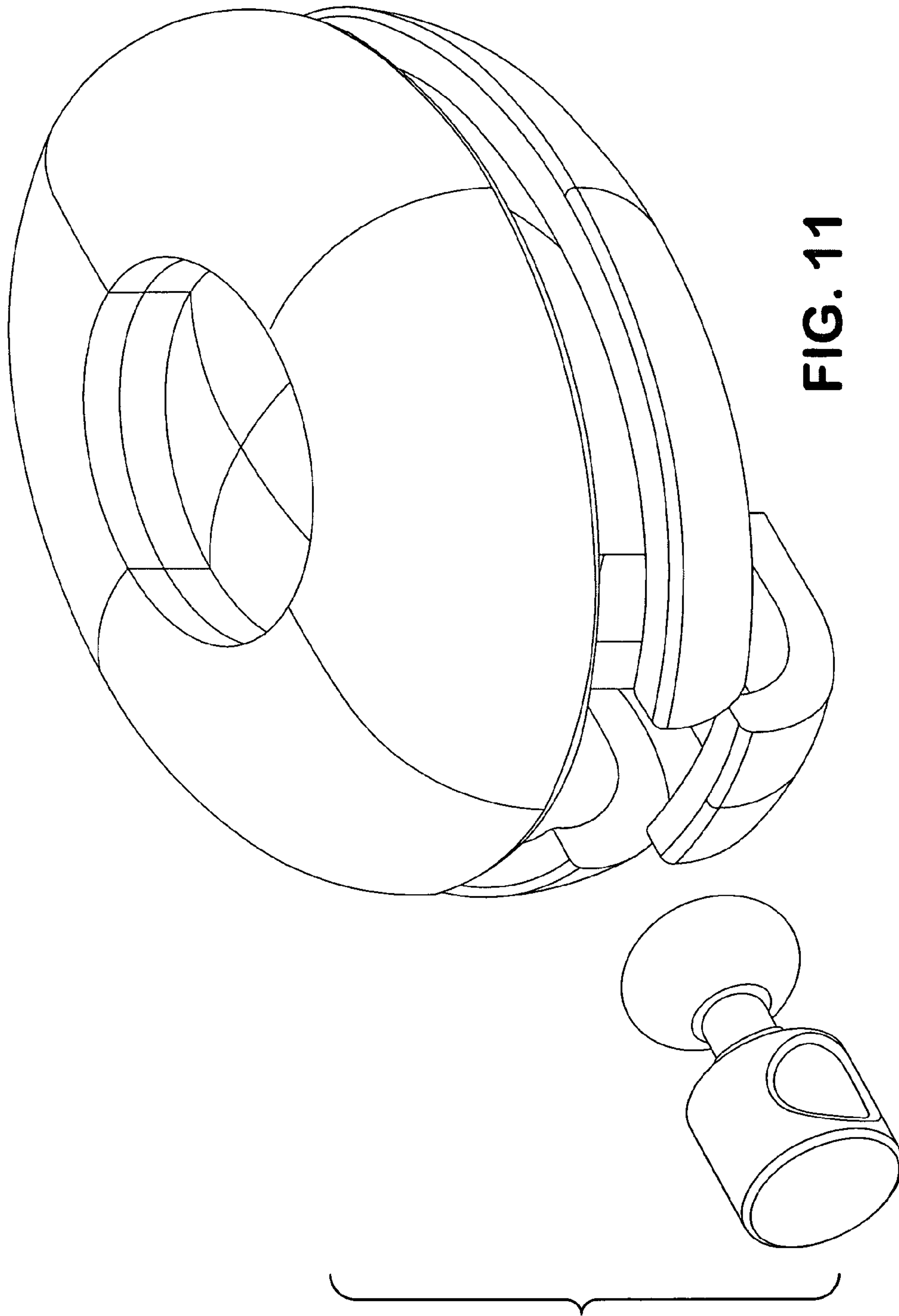


FIG. 11

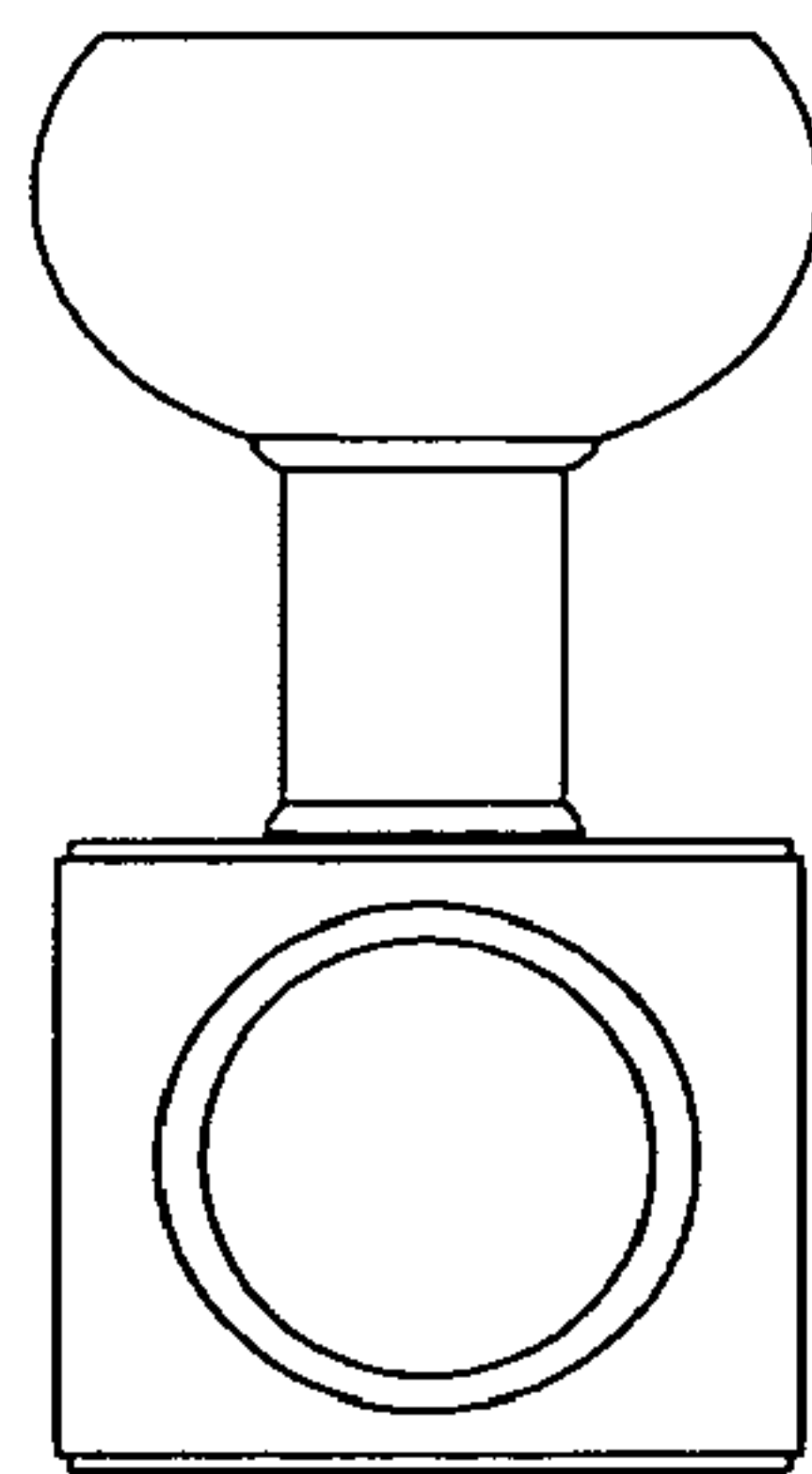
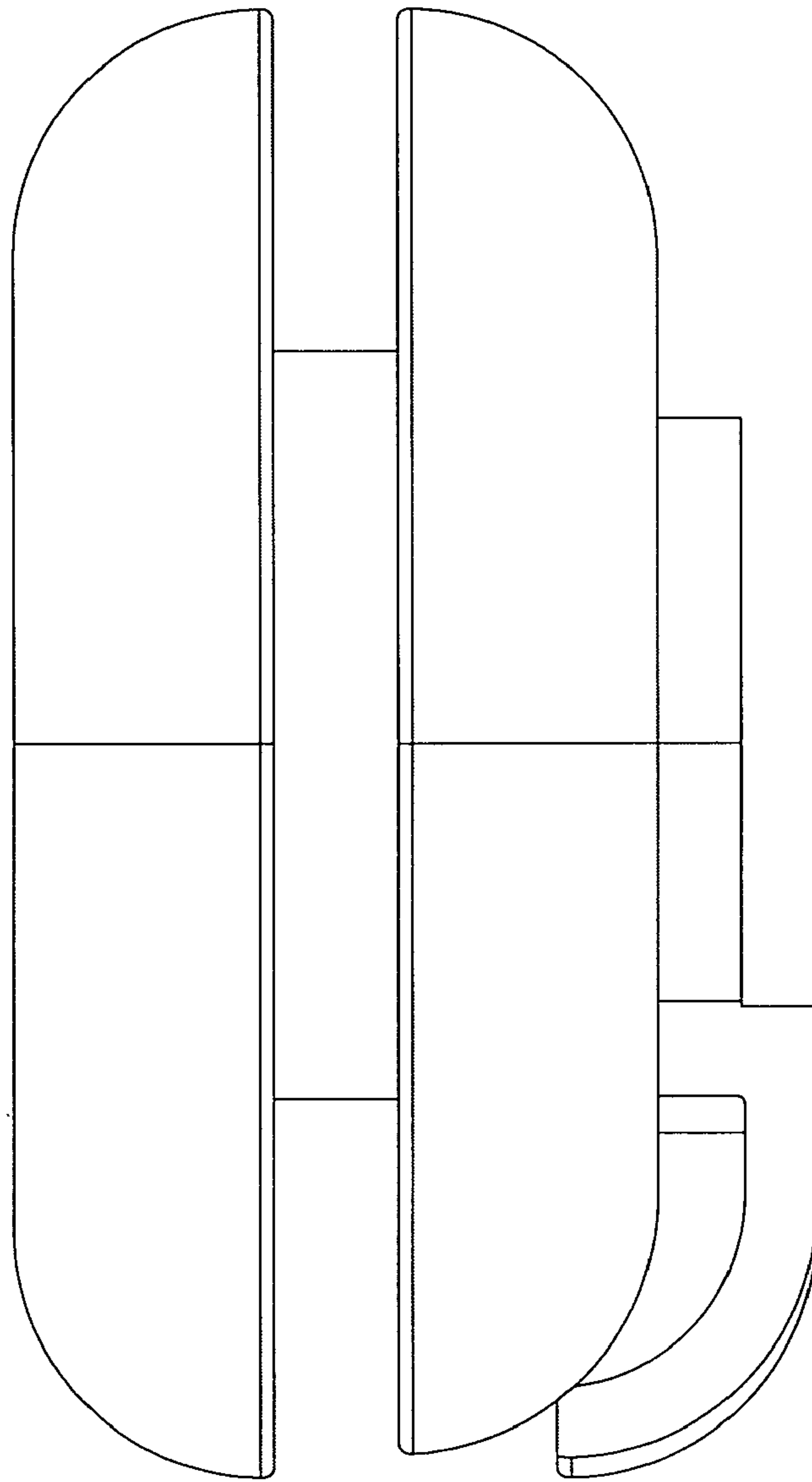


FIG. 12

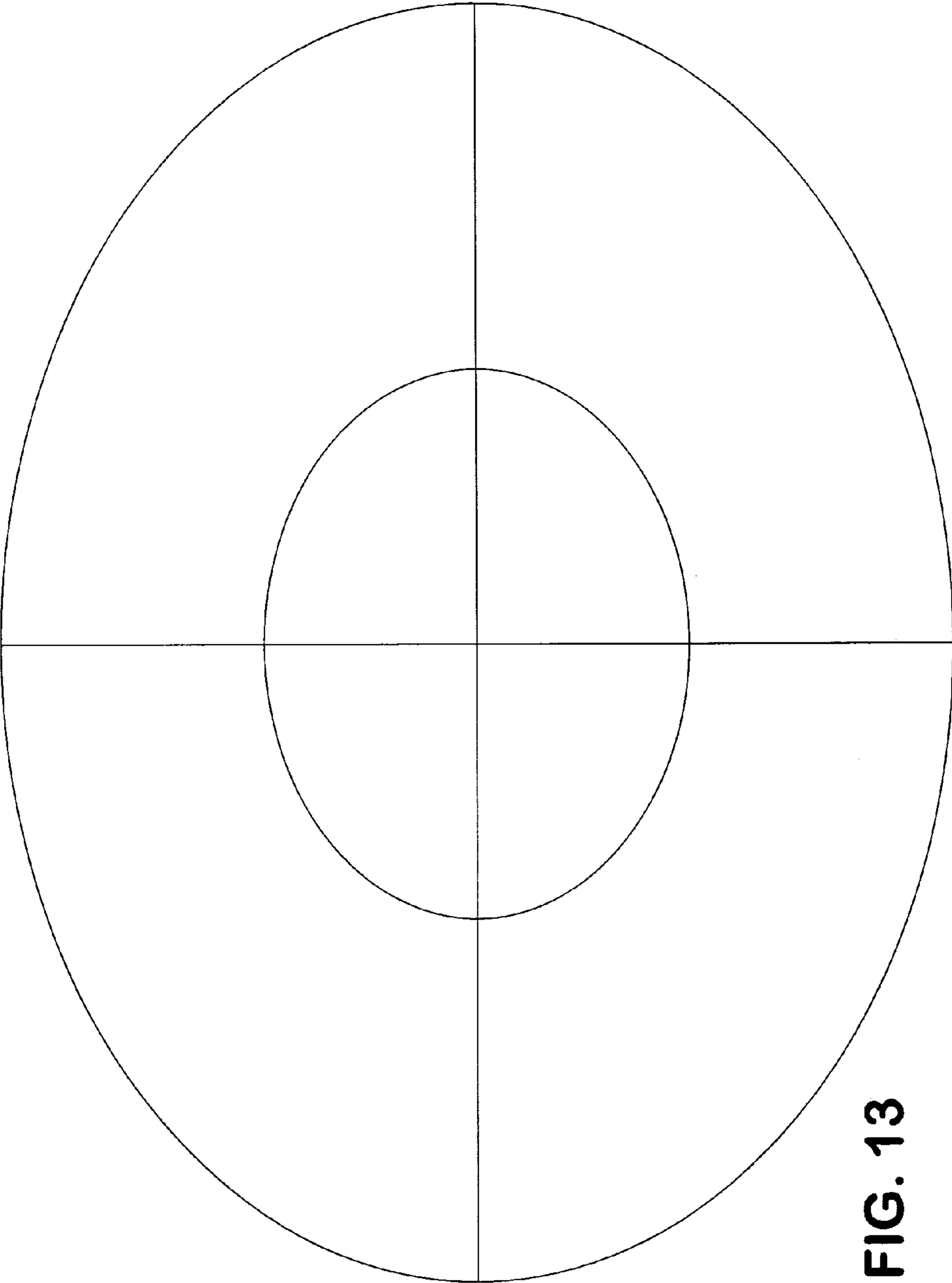


FIG. 13

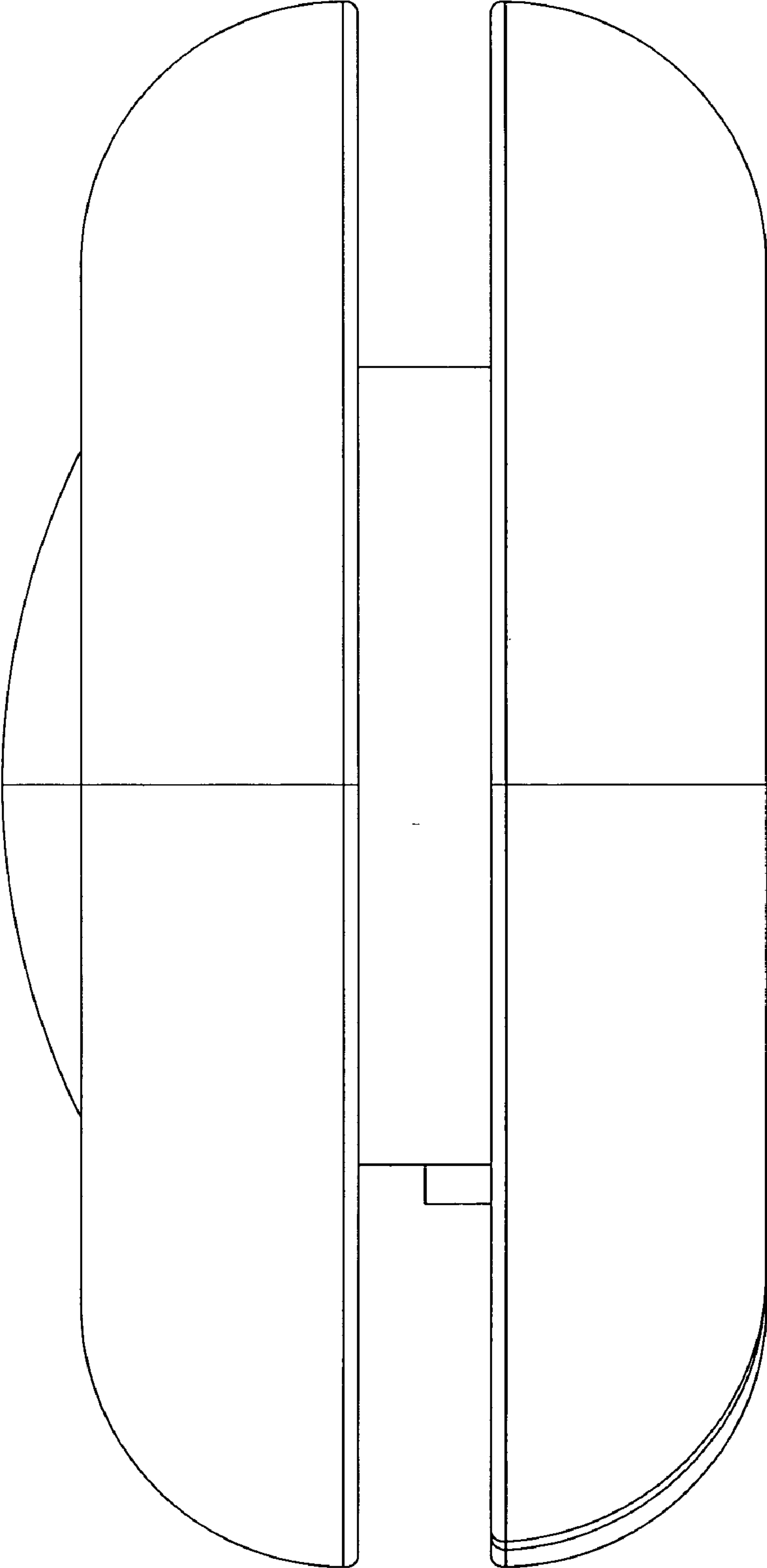


FIG. 14