

US00D572169S

(12) **United States Design Patent**
De Roeck

(10) **Patent No.:** **US D572,169 S**
(45) **Date of Patent:** **** Jul. 1, 2008**

(54) **VASE**

(76) **Inventor:** **Anthony De Roeck**, Kleine Heide 10,
2930 Brasschaat (BE)

(**) **Term:** **14 Years**

(21) **Appl. No.:** **29/257,356**

(22) **Filed:** **Apr. 4, 2006**

(30) **Foreign Application Priority Data**

Oct. 5, 2005 (EM) 000411483

(51) **LOC (8) Cl.** **07-99**

(52) **U.S. Cl.** **D11/155**

(58) **Field of Classification Search** D6/556-558;
D7/516, 517, 520, 562; D11/142-156; D19/75,
D19/77, 80-82, 84; D26/9, 16; 47/33, 39,
47/41.01, 41.1, 41.11-41.13, 41.15, 65.5,
47/66.1, 66.6, 66.7, 67-71

See application file for complete search history.

(56) **References Cited**

U.S. PATENT DOCUMENTS

2,276,220 A * 3/1942 Le Veiller, Sr. 206/524.1
D216,843 S * 3/1970 Lew D19/82
D241,454 S * 9/1976 Craft et al. D11/155

D377,402 S * 1/1997 Perkins D26/9
6,227,439 B1 * 5/2001 Hansen 47/41.01
D522,404 S * 6/2006 Kerdil D11/143
2006/0026896 A1 * 2/2006 Flanagan et al. 47/41.01
2007/0089361 A1 * 4/2007 Weder 47/41.01

FOREIGN PATENT DOCUMENTS

GB D 2034178 * 3/1993

* cited by examiner

Primary Examiner—Caron D. Veynar

Assistant Examiner—Garth Rademaker

(74) *Attorney, Agent, or Firm*—Bacon & Thomas, PLLC

(57) **CLAIM**

The ornamental design for a vase, as shown and described.

DESCRIPTION

FIG. 1 is a perspective view of a vase, showing my new design;

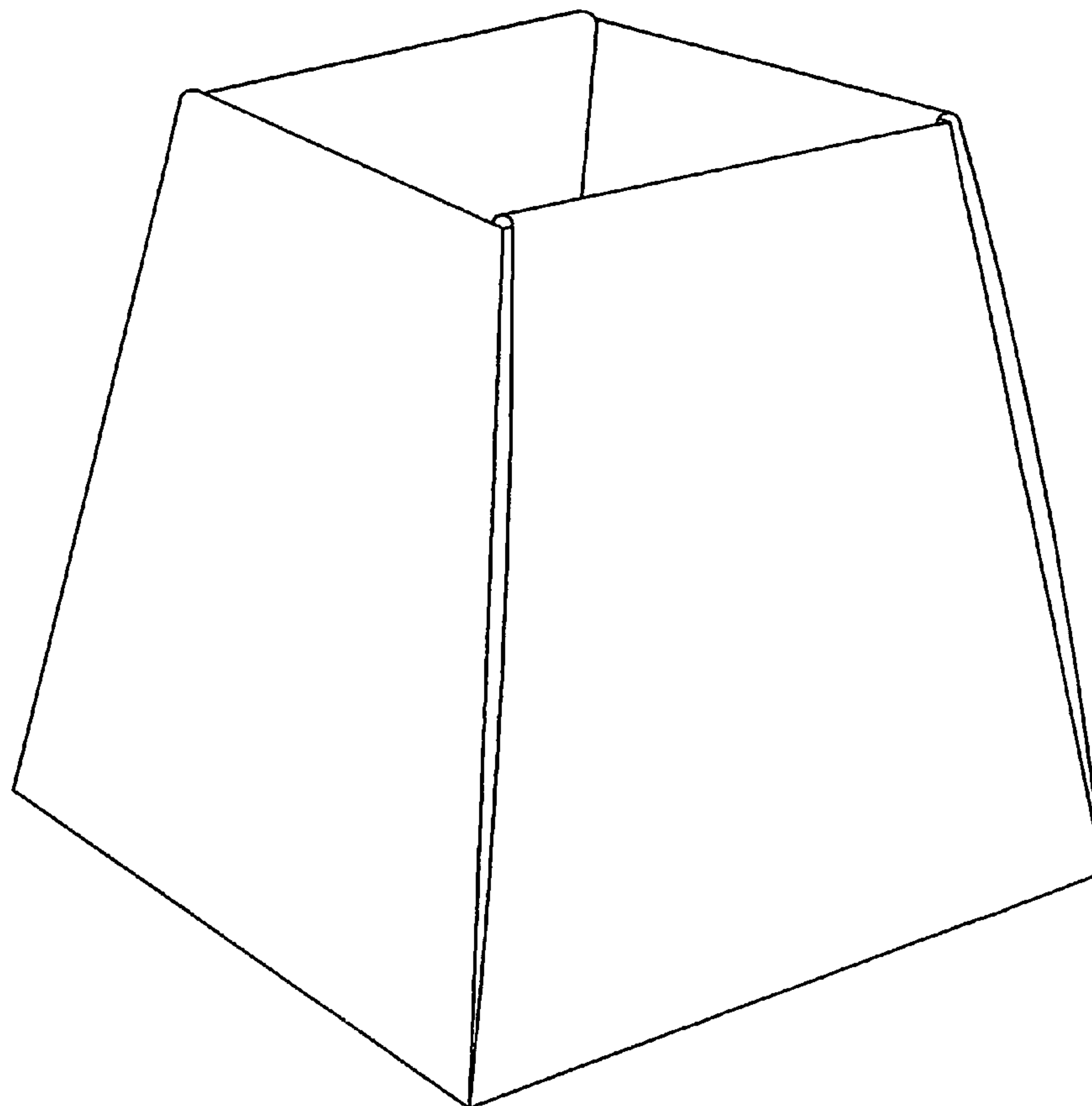
FIG. 2 is a right side elevation view thereof, the front, rear, and left side views being identical thereto;

FIG. 3 is a top plan view thereof;

FIG. 4 is a bottom plan view thereof; and,

FIG. 5 is top plan view thereof, shown unfolded.

1 Claim, 5 Drawing Sheets



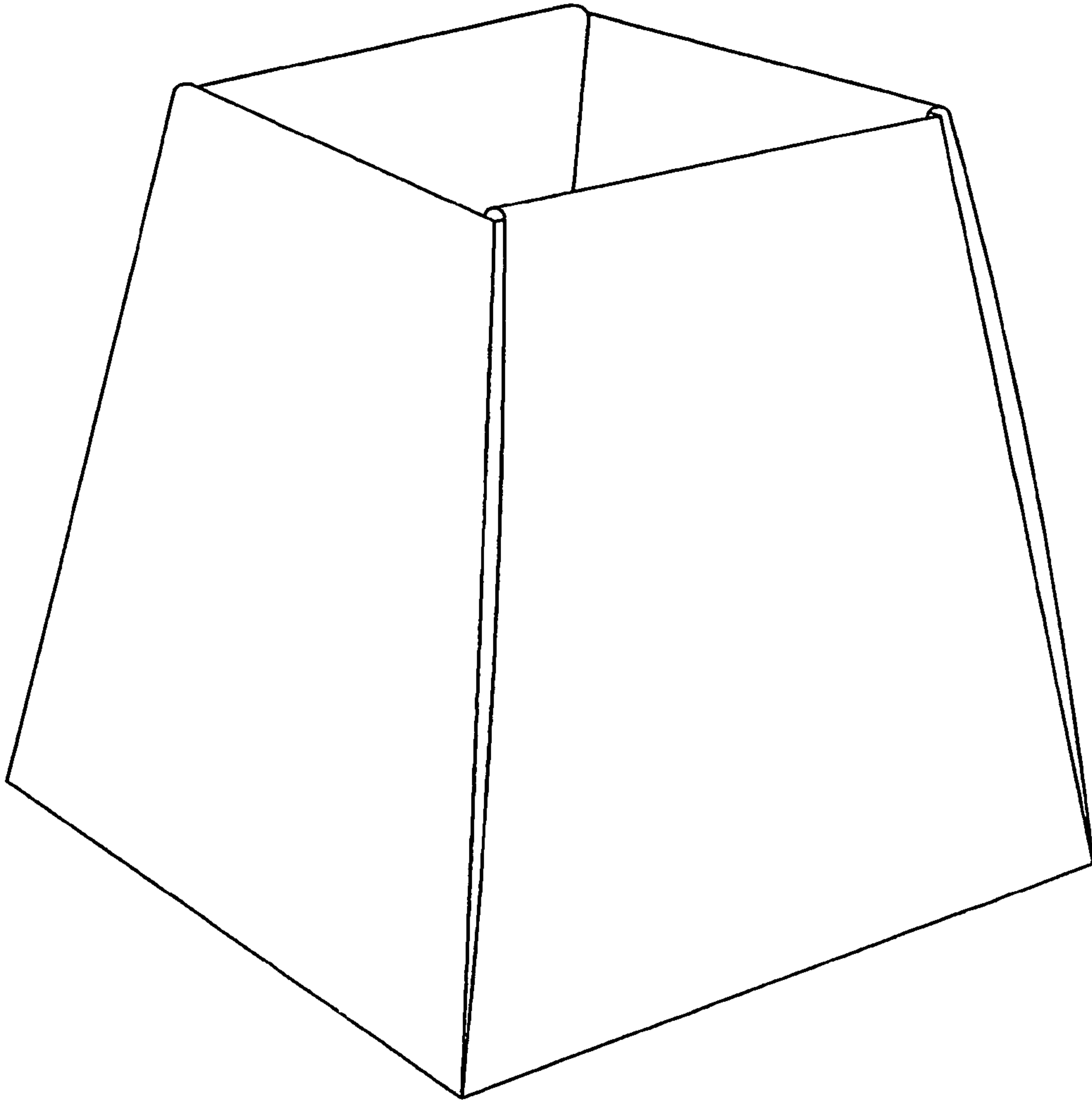


Fig. 1

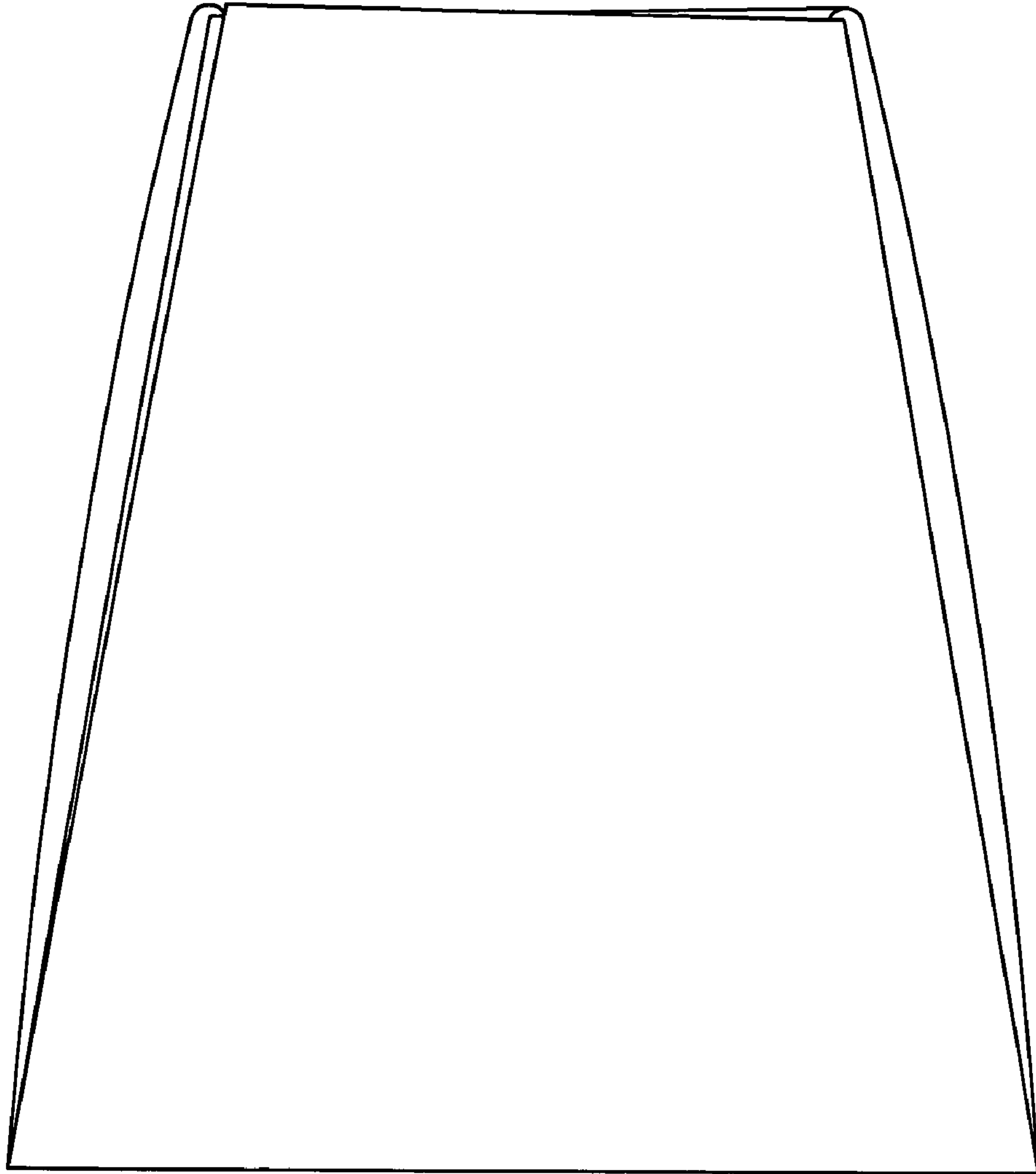


Fig. 2

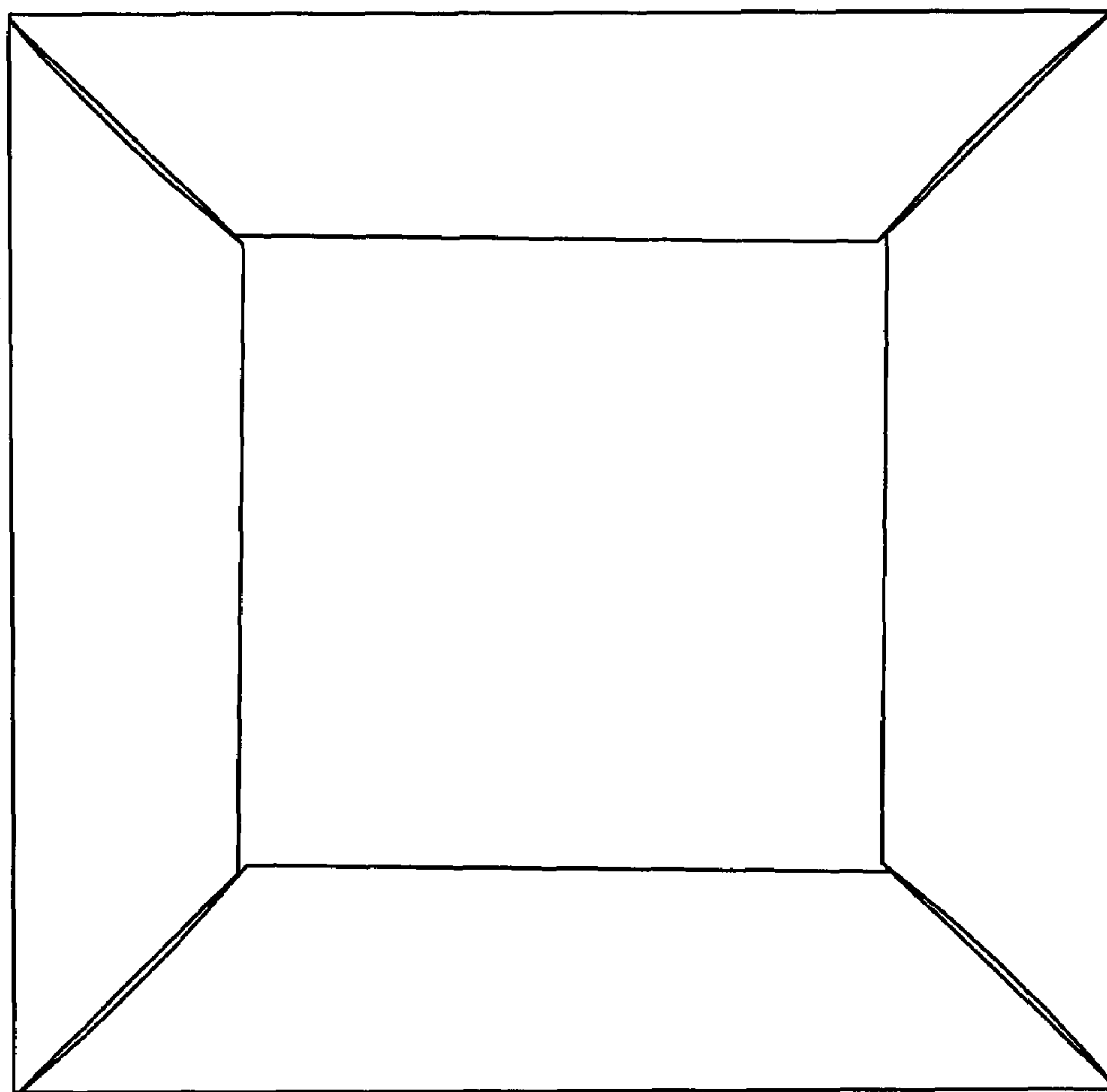


Fig. 3

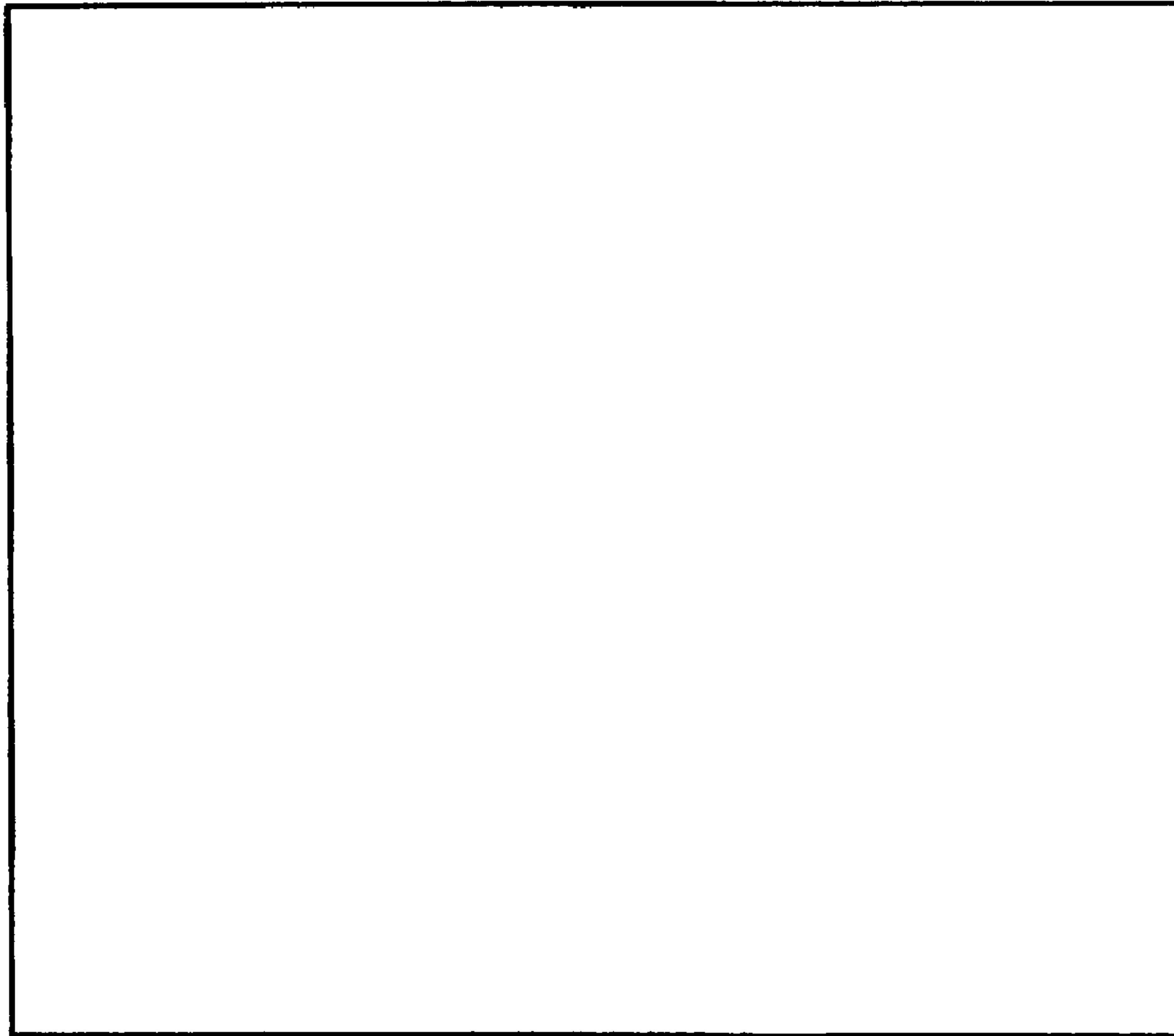


Fig. 4

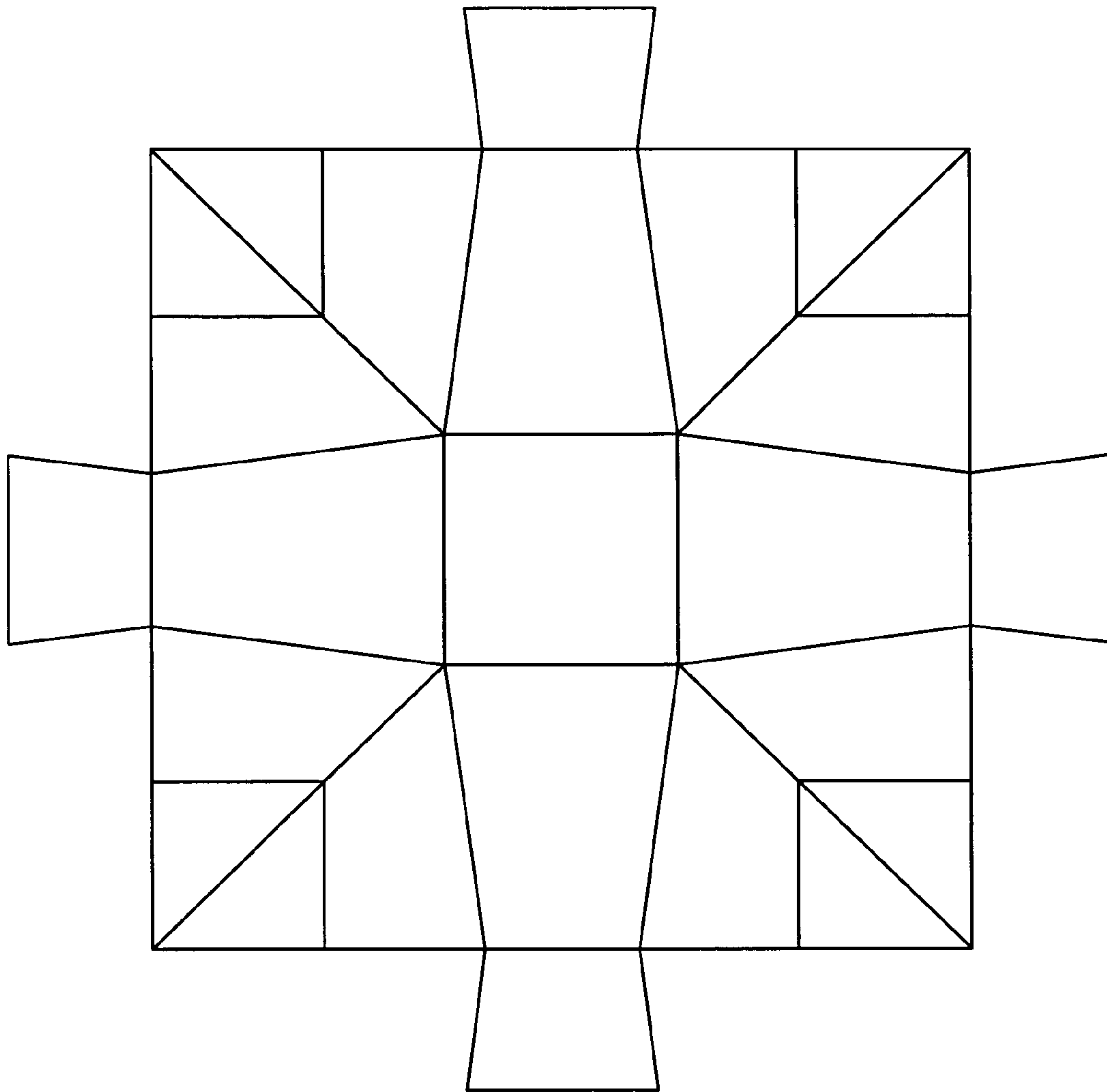


Fig. 5