



US00D572162S

(12) **United States Design Patent**
Béland et al.

(10) **Patent No.:** **US D572,162 S**

(45) **Date of Patent:** **** Jul. 1, 2008**

(54) **CHIME HOUSING**

(75) Inventors: **Stéphane Joseph Pierre Béland**,
St-Jean-sur-Richelieu (CA); **Virginie**
Céline Geneviève Turcotte, Verdun
(CA); **Jésabelle Marie Irène Daoust**, La
Prairie (CA)

(73) Assignee: **Novar ED & S Limited**, Bracknell (GB)

(**) Term: **14 Years**

(21) Appl. No.: **29/283,460**

(22) Filed: **Aug. 15, 2007**

(51) **LOC (8) Cl.** **10-05**

(52) **U.S. Cl.** **D10/118; D10/121**

(58) **Field of Classification Search** D10/116-121;
D26/72, 85, 88; 340/384.7, 392.1

See application file for complete search history.

(56) **References Cited**

U.S. PATENT DOCUMENTS

D124,405 S *	12/1940	Hammond	D10/118
D187,569 S *	3/1960	Jolly	D10/118
D215,189 S *	9/1969	Doggart	D10/118
D264,320 S *	5/1982	Doggart	D10/118
D355,143 S *	2/1995	Lee et al.	D10/118
D399,328 S *	10/1998	Compton	D26/72
D407,838 S *	4/1999	Compton	D26/67
D410,404 S *	6/1999	Scheibe	D10/118
D439,186 S *	3/2001	Kovens et al.	D10/118
D478,832 S *	8/2003	Dipple	D10/106
2003/0090369 A1 *	5/2003	Albritton et al.	340/392.1

OTHER PUBLICATIONS

“Health Zenith Large Chime, Health Zenith Light and Door Chimes”,
<http://12.153.20.72/cgi-bin/chimeswdc.cgi?product=1> Available
before Aug. 15, 2007, 1 page.

“Nutone BK105, Wire Chimes Builder Kits”, <http://www.nutone.com/product-detail.asp?ProductID=11246> Available before Aug. 15, 2007, 2 pages.

“Nutone BK140, Wired Chimes Builder Kits”, <http://www.nutone.com/product-detail.asp?ProductID=11242> Available before Aug. 15, 2007, 2 pages.

* cited by examiner

Primary Examiner—Robert M. Spear

Assistant Examiner—George D Kirschbaum

(74) *Attorney, Agent, or Firm*—Pauly, Devries, Smith & Deffner, L.L.C

(57) **CLAIM**

The ornamental design for a chime housing, as shown and described.

DESCRIPTION

FIG. 1 is a front perspective view of a chime housing.

FIG. 2 is a front elevation view of the chime housing.

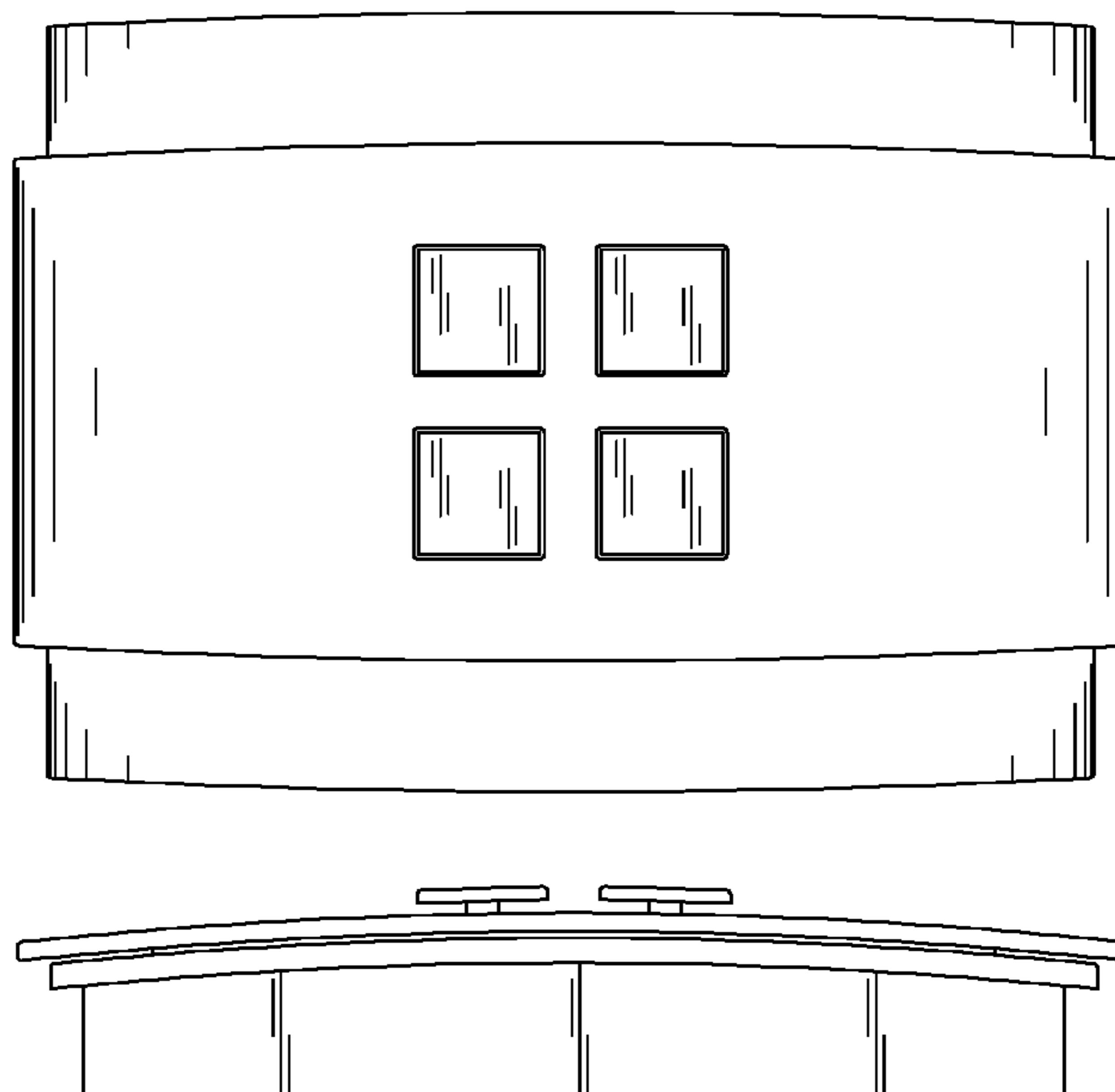
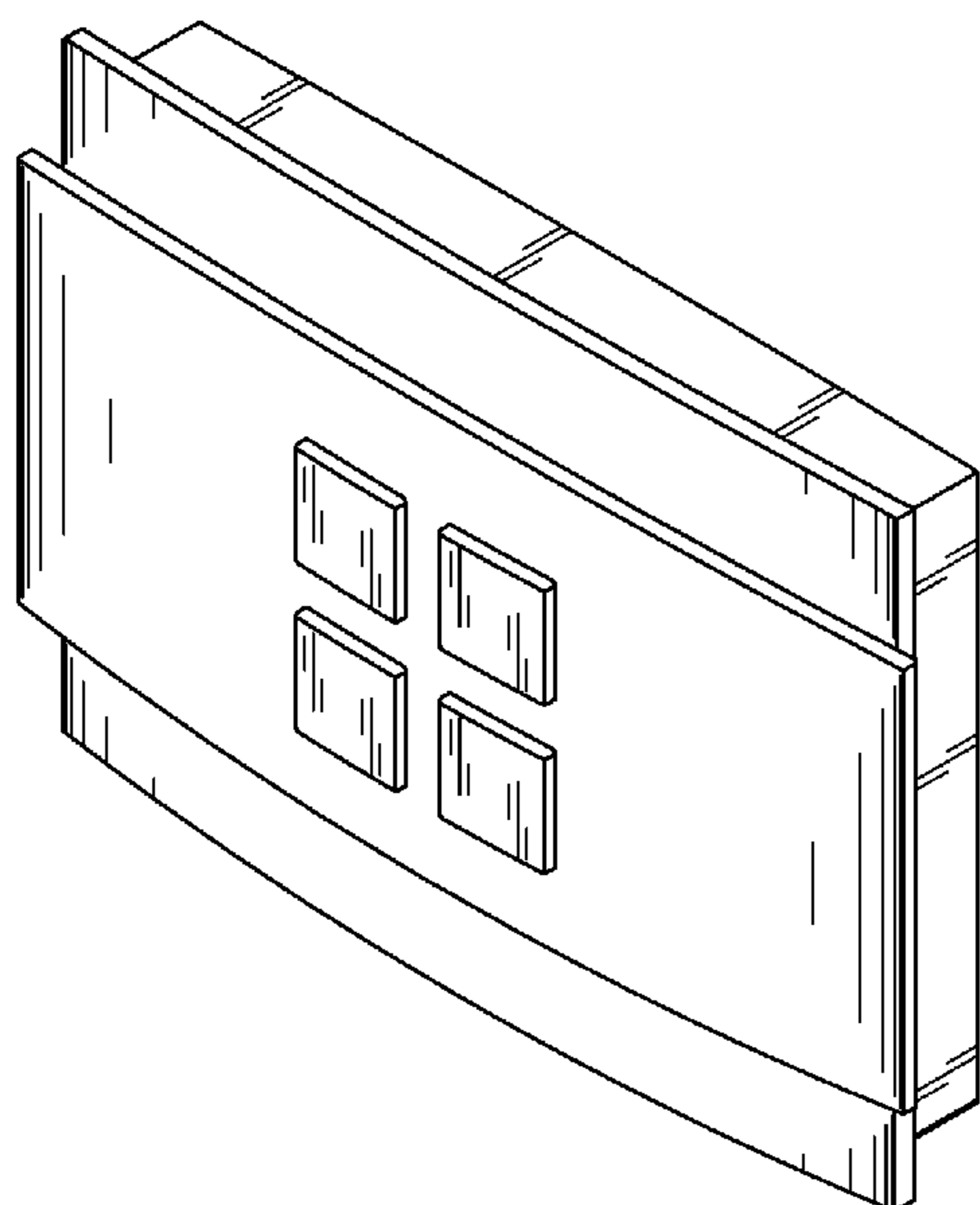
FIG. 3 is a left side elevation view of the chime housing. The right side elevation view is a mirror image of the left side elevation view; and,

FIG. 4 is a bottom elevation view of the chime housing. The top elevation view is a mirror image of the bottom elevation view.

The rear view of the chime housing forms no part of the claimed design.

No claim is made to the texture or surface finish of the embodiments shown in the Figures.

1 Claim, 3 Drawing Sheets



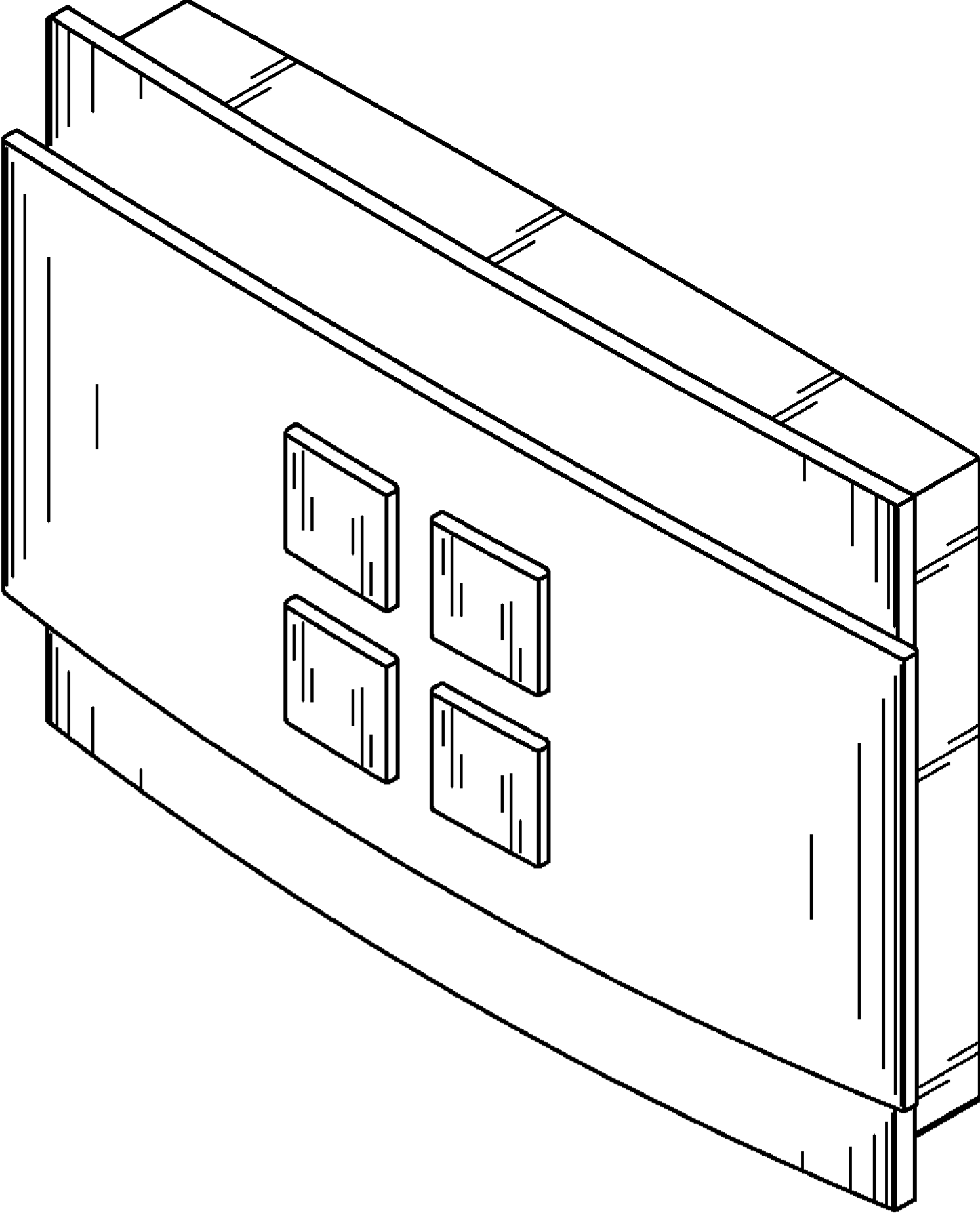


FIG. 1

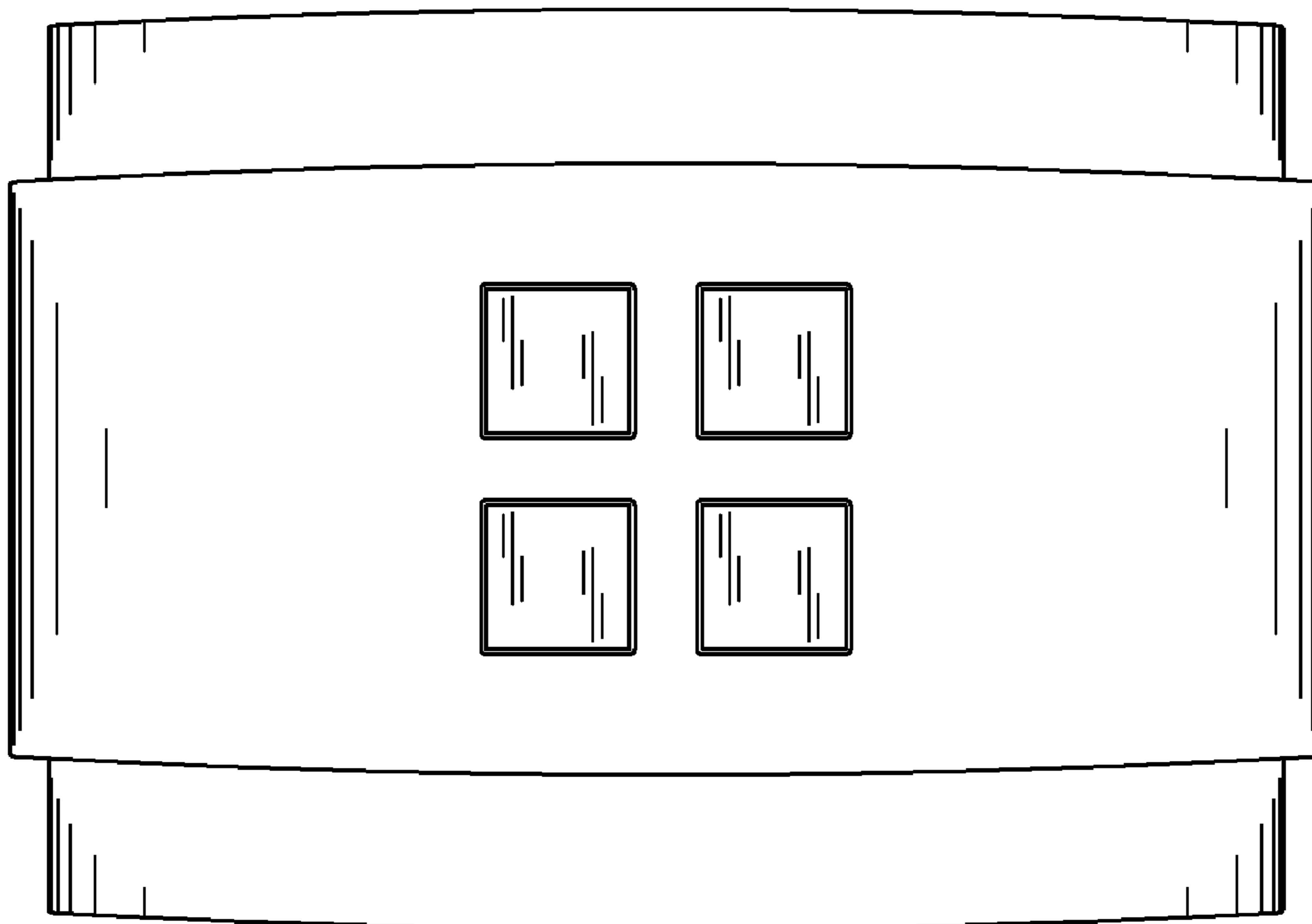


FIG. 2

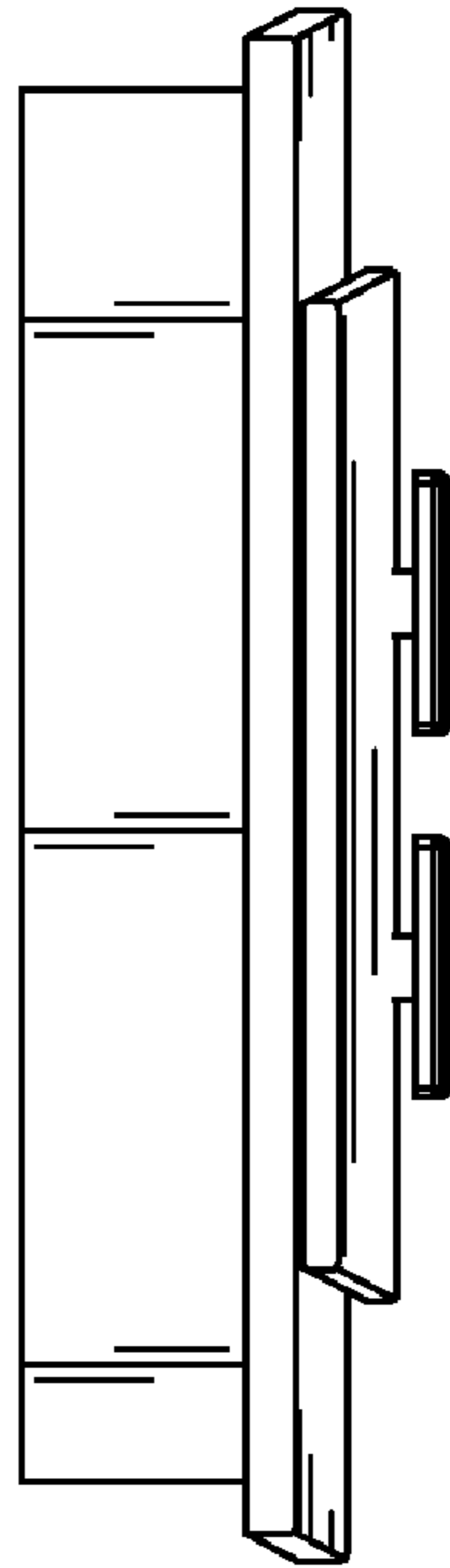


FIG. 3

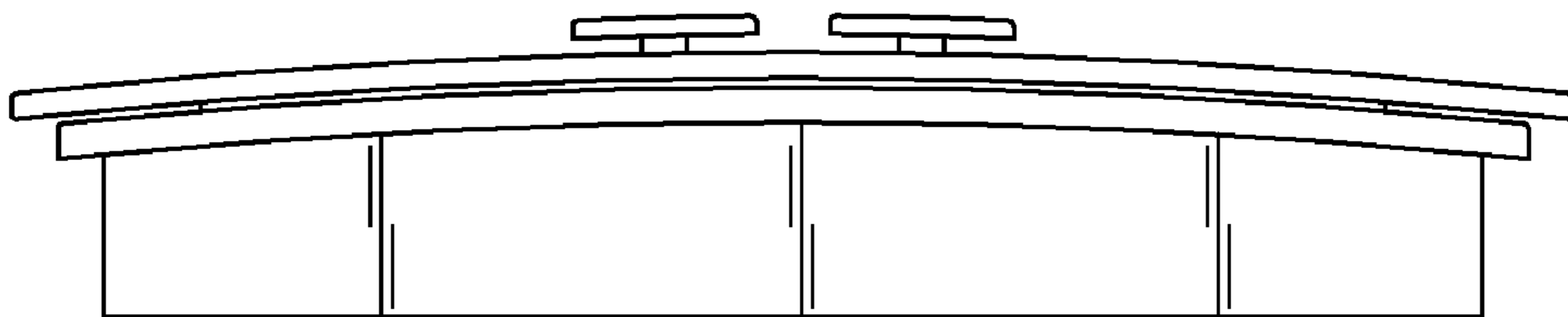


FIG. 4