



US00D572158S

(12) **United States Design Patent**  
**Radecke et al.**

(10) **Patent No.:** **US D572,158 S**  
(45) **Date of Patent:** **\*\* Jul. 1, 2008**

(54) **PIEZOELECTRIC SENSOR**

(57) **CLAIM**

(75) Inventors: **Michael Radecke**, Winterthur (CH);  
**Daniel Bhend**, Winterthur (CH)

The ornamental designs for piezoelectric sensor, as shown and described.

(73) Assignee: **Kistler Holding AG**, Winterthur (CH)

**DESCRIPTION**

(\*\*) Term: **14 Years**

FIG. 1 is a perspective view of the front of a piezoelectric sensor;

(21) Appl. No.: **29/280,841**

FIG. 2 is a top plan view of the sensor of FIG. 1, the opposite bottom plan view being a mirror image of the top view;

(22) Filed: **Jun. 8, 2007**

FIG. 3 is a left side plan view of the sensor of FIG. 1, the opposite right side plan view being a mirror image of the left side;

(30) **Foreign Application Priority Data**

Dec. 13, 2006 (CH) ..... 133490

FIG. 4 is a rear plan view of the sensor of FIG. 1, the front plan view being a mirror image of the rear;

(51) **LOC (8) Cl.** ..... **10-04**

FIG. 5 is a perspective view of the front of an alternative embodiment of a piezoelectric sensor;

(52) **U.S. Cl.** ..... **D10/75**

(58) **Field of Classification Search** ..... D10/75;  
D13/110, 112, 114, 118, 158, 184; 73/514.16,  
73/514.34, 579, 649, 777; 360/31, 329; 310/319  
See application file for complete search history.

FIG. 6 is a top plan view of the sensor of FIG. 5, the opposite bottom plan view being a mirror image of the top view;

FIG. 7 is a left side plan view of the sensor of FIG. 5, the opposite right side plan view being a mirror image of the left side; and,

(56) **References Cited**

**U.S. PATENT DOCUMENTS**

4,816,713 A \* 3/1989 Change, Jr. .... 310/319

5,193,392 A \* 3/1993 Besson et al. .... 73/514.29

FIG. 8 is a rear plan view of the sensor of FIG. 5, the front being a mirror image of the rear.

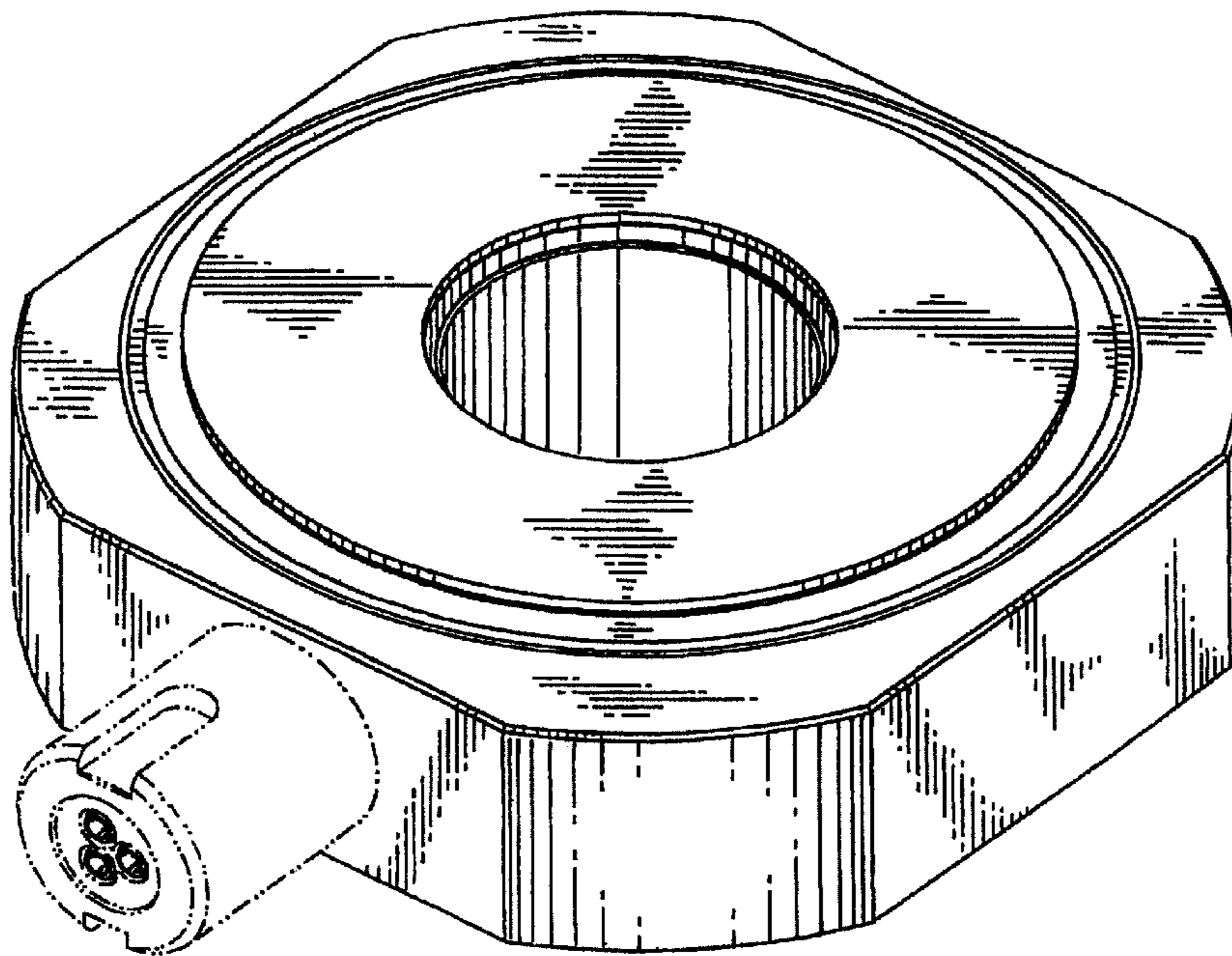
The broken lines in FIGS. 1-3 and 5-7 are intended to schematically represent a connector of any kind and form no part of the claimed design.

\* cited by examiner

*Primary Examiner*—Antoine D. Davis

(74) *Attorney, Agent, or Firm*—Dority & Manning, P.A.

**1 Claim, 8 Drawing Sheets**



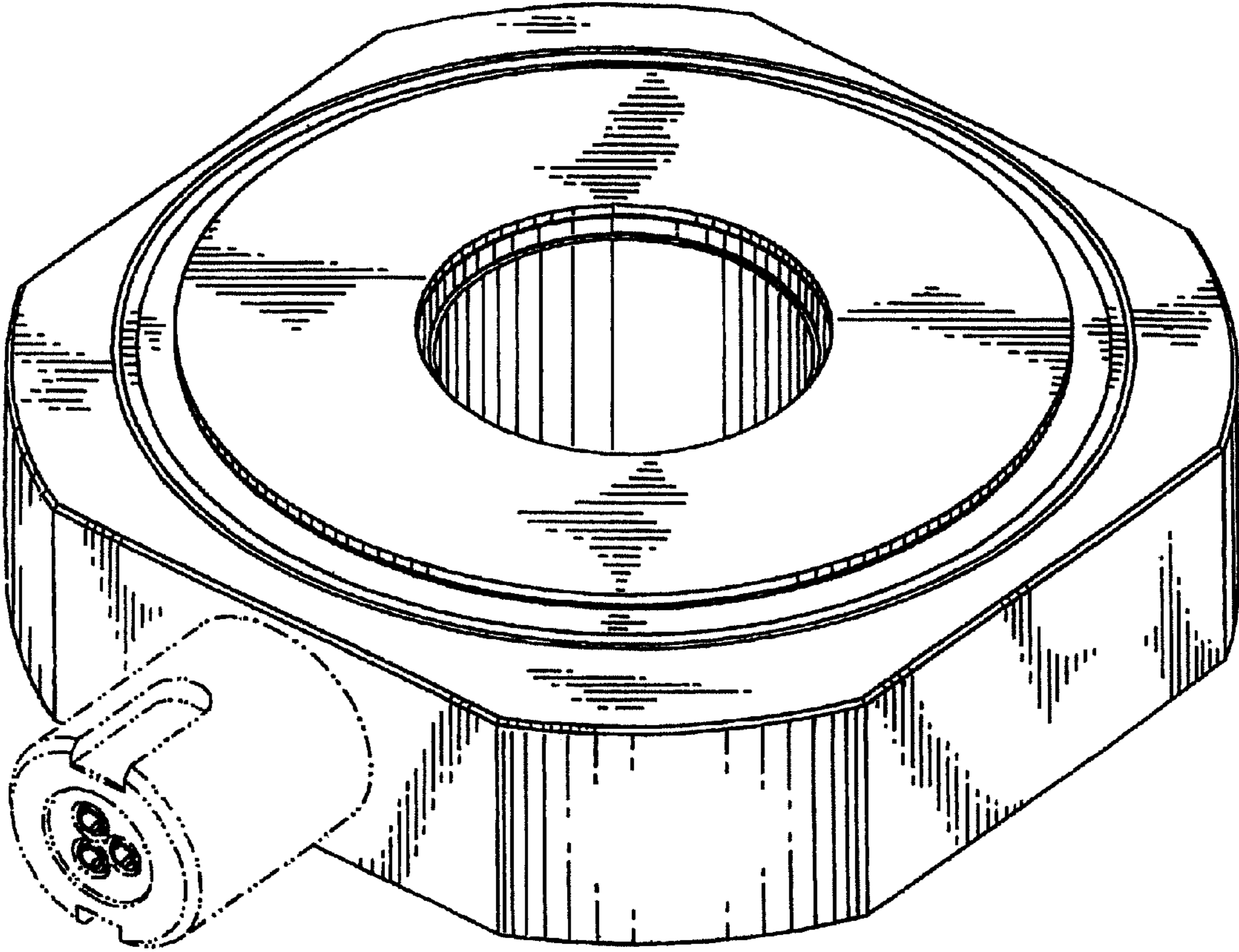


Fig. 1

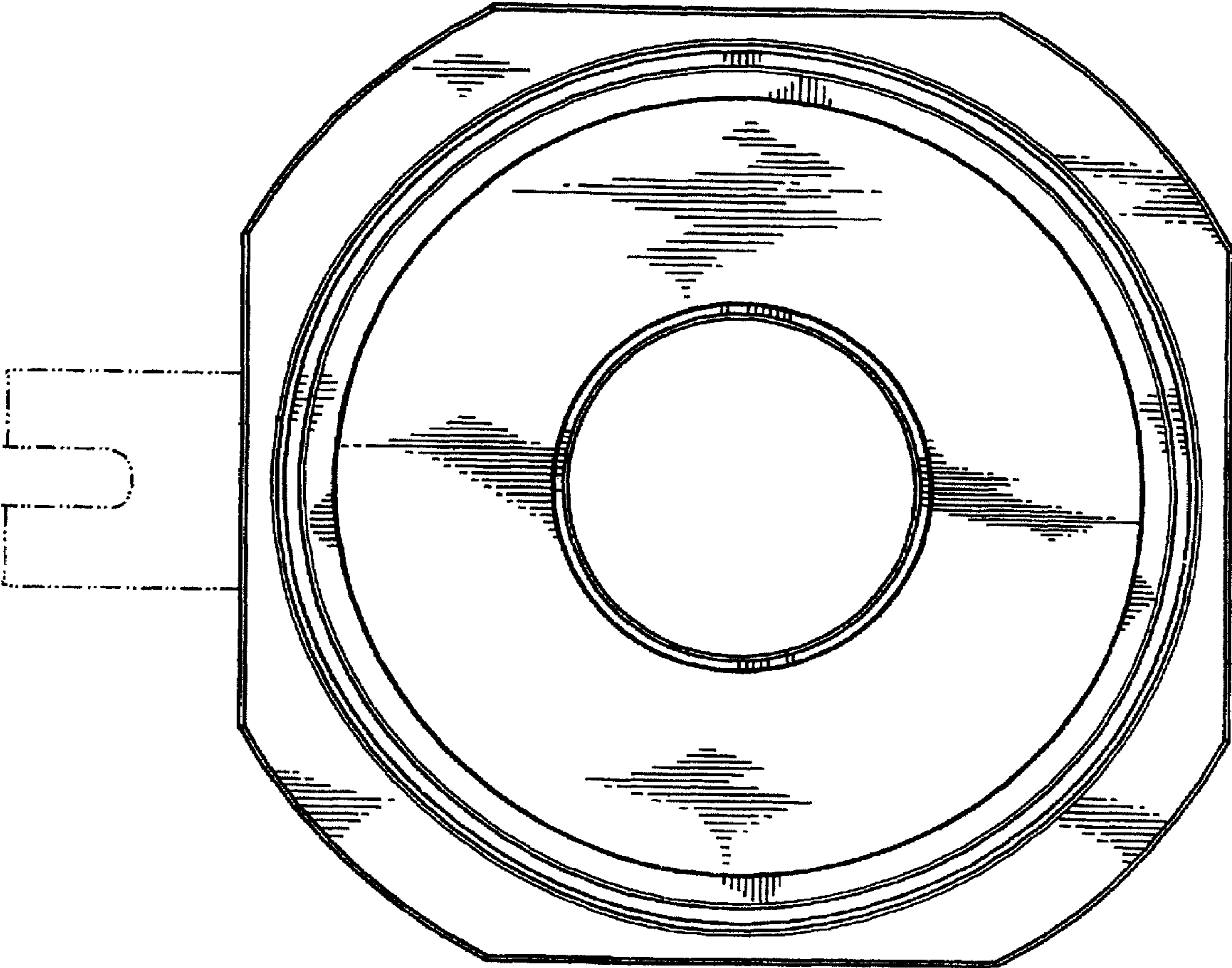


Fig. 2

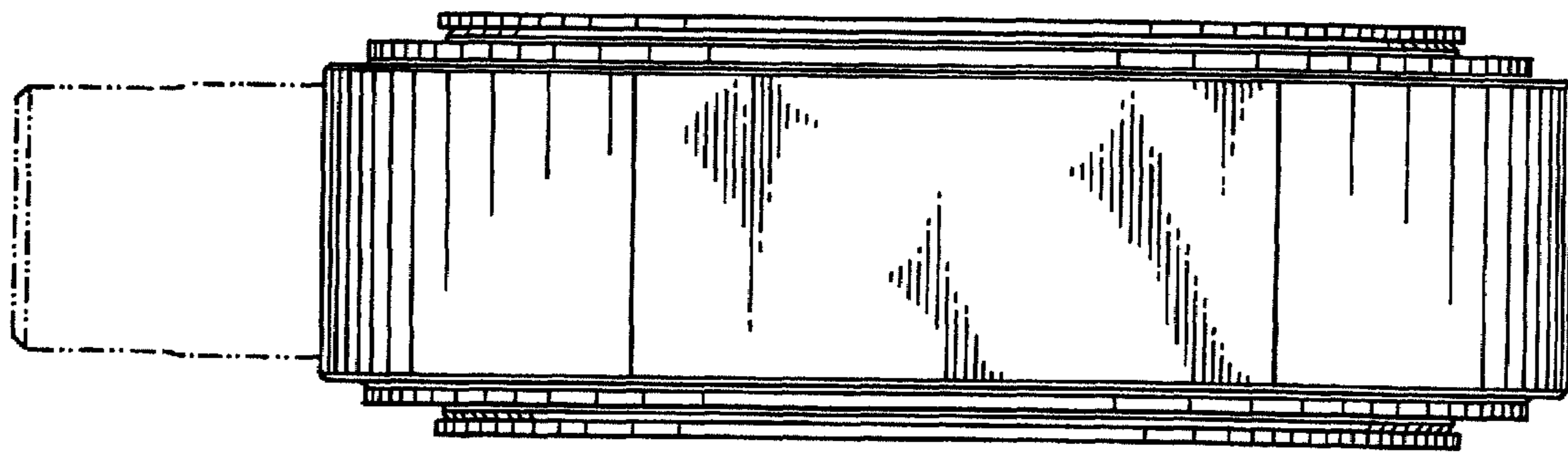


Fig. 3



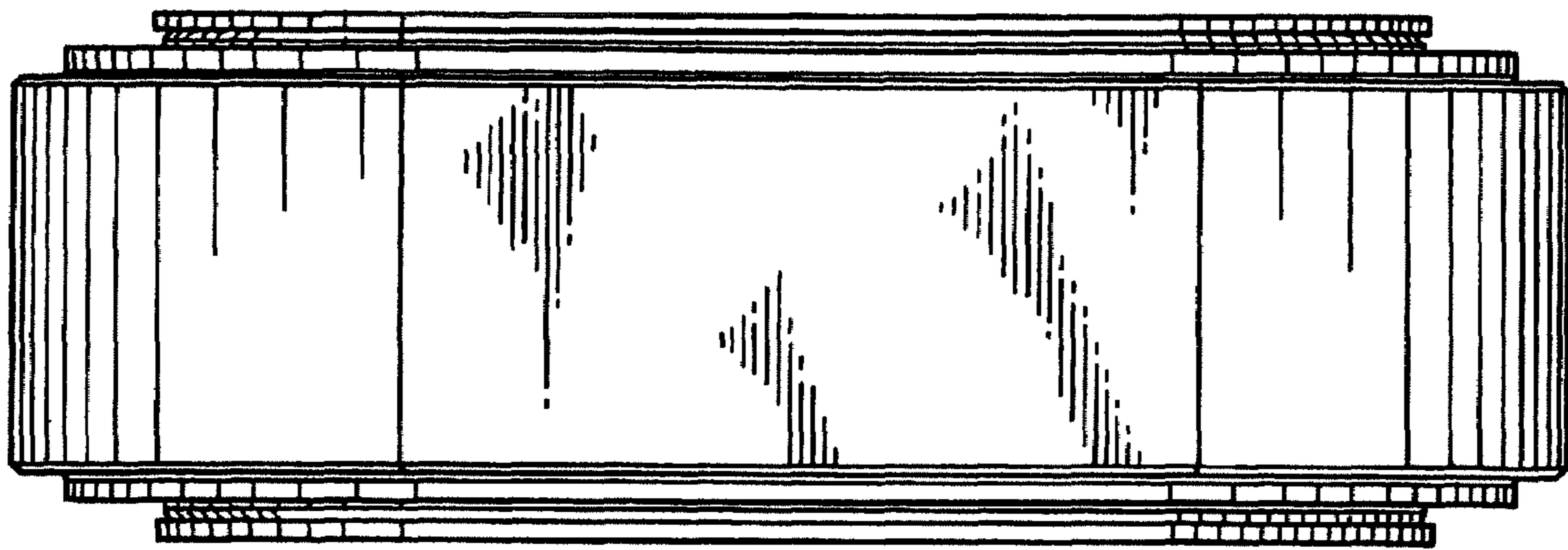


Fig. 4

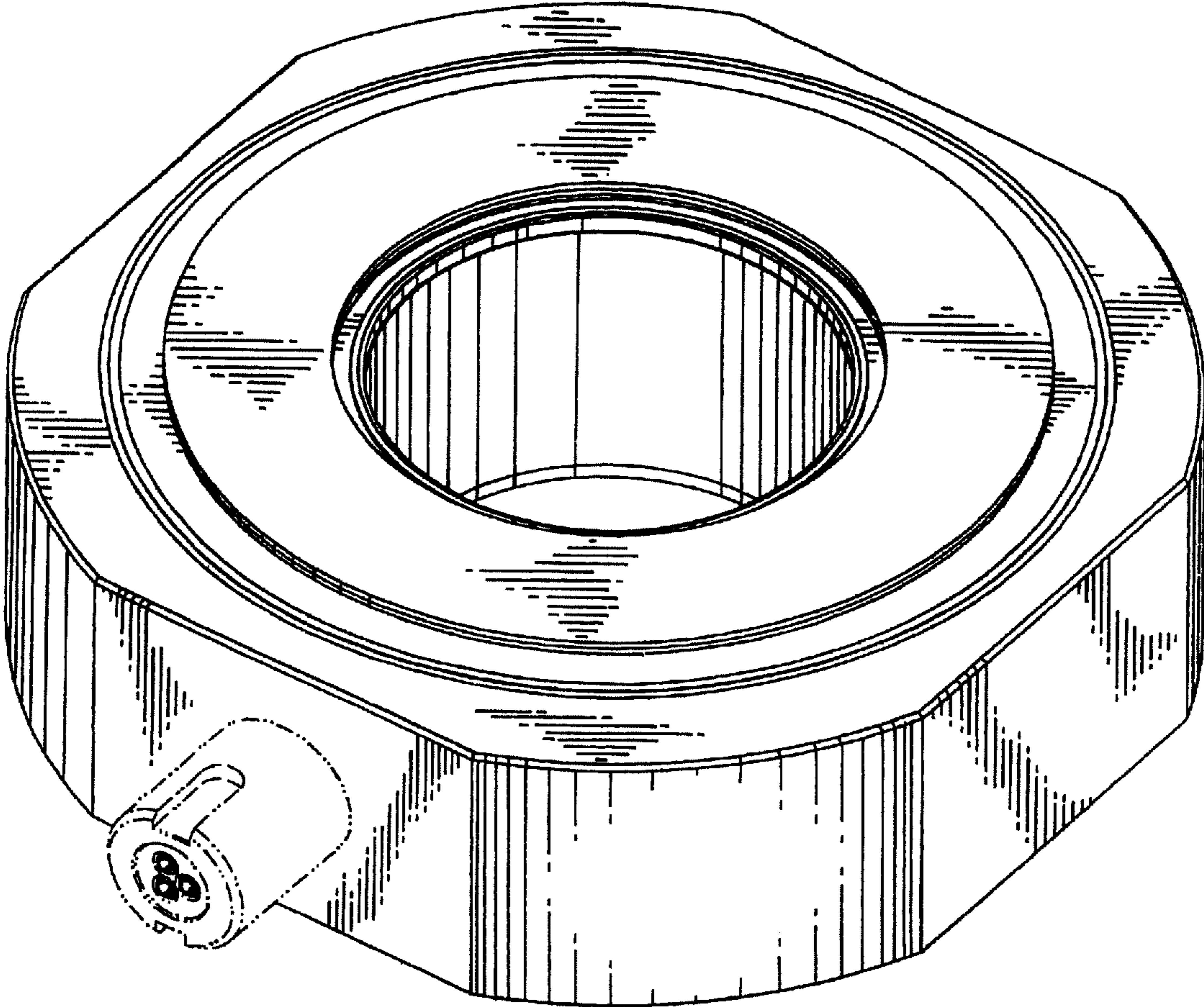


Fig. 5

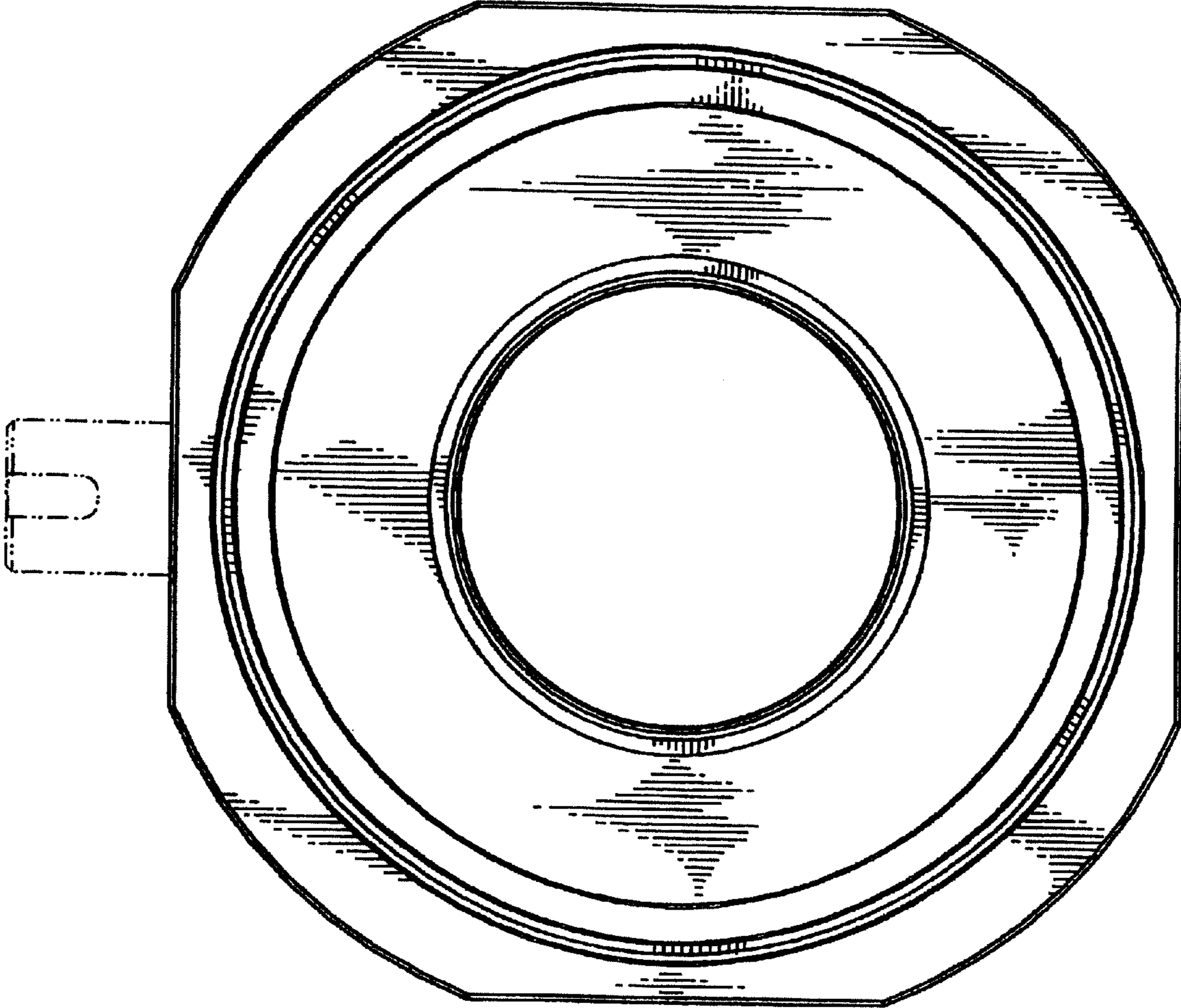


Fig. 6

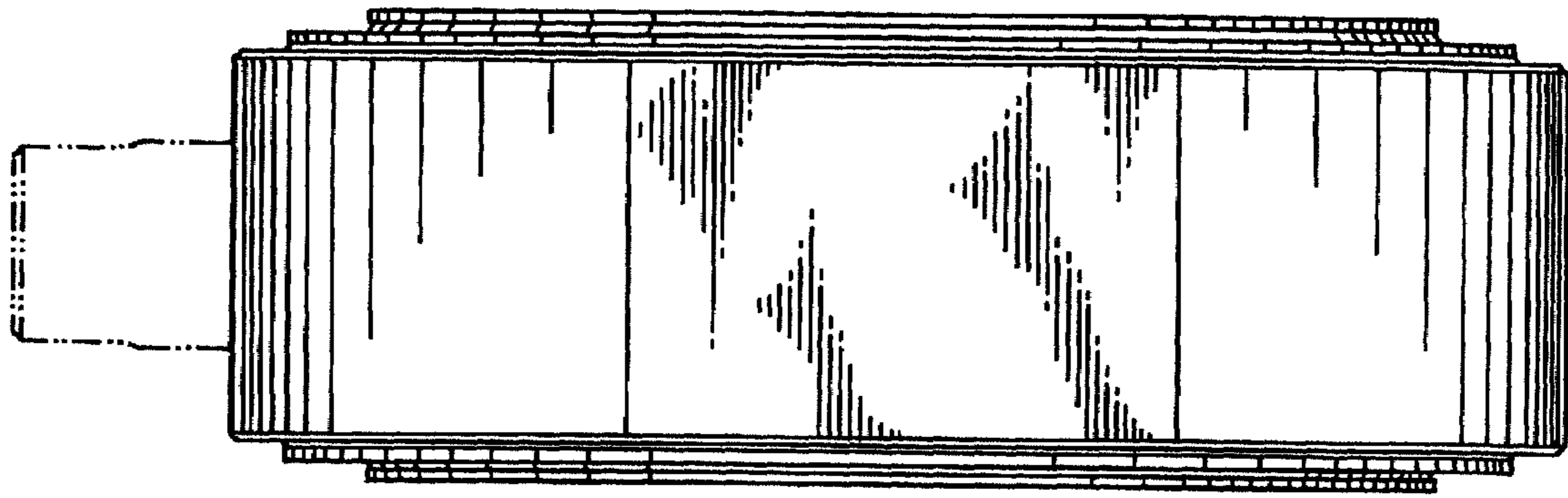


Fig. 7



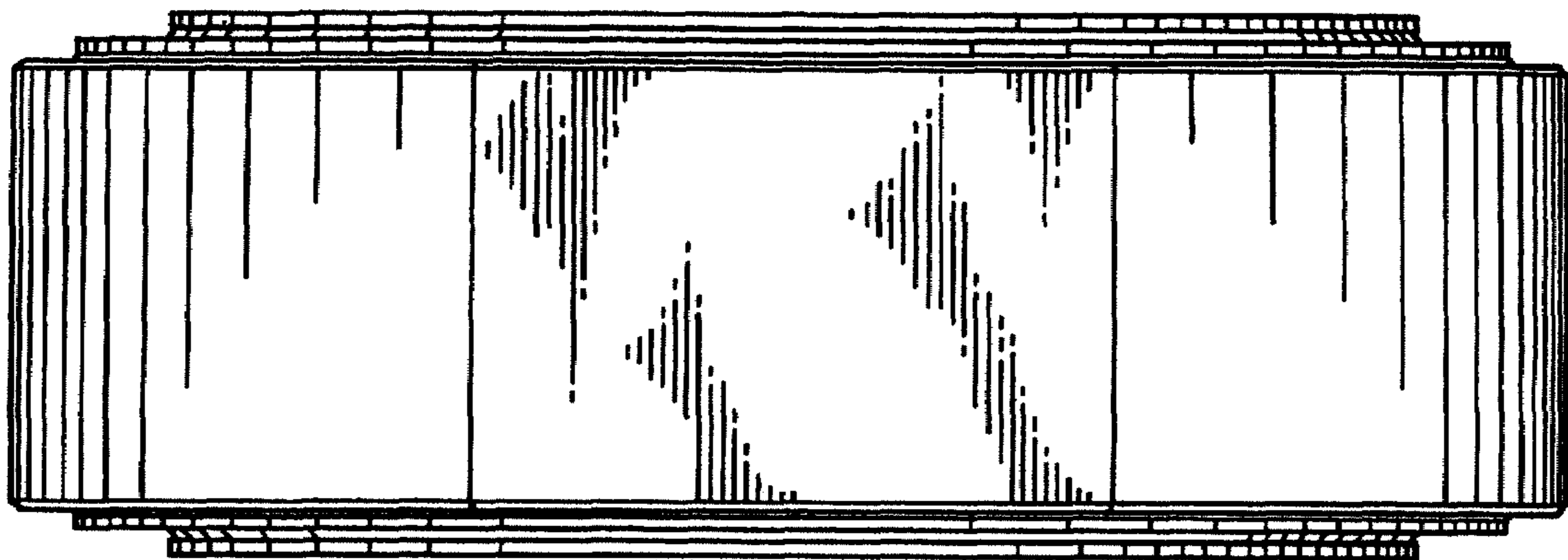


Fig. 8