



US00D572157S

(12) **United States Design Patent**
Steiner

(10) **Patent No.:** **US D572,157 S**
(45) **Date of Patent:** **** Jul. 1, 2008**

(54) **BUBBLE VIAL WITH MAGNETIC BASE**

(75) Inventor: **Paul Steiner**, Bikat Bet Hakerem (IL)

(73) Assignee: **Kapro Industries Ltd**, D.N. Bikat Bet Hakerem (IL)

(**) Term: **14 Years**

(21) Appl. No.: **29/287,022**

(22) Filed: **Jun. 19, 2007**

(30) **Foreign Application Priority Data**

Jan. 4, 2007 (IL) 43598

(51) **LOC (8) Cl.** **10-04**

(52) **U.S. Cl.** **D10/74**

(58) **Field of Classification Search** D10/69,
D10/74; 33/365, 377, 379, 381-382, 390
See application file for complete search history.

(56) **References Cited**

U.S. PATENT DOCUMENTS

D222,723 S * 12/1971 Ostrager D10/69
2005/0155241 A1 * 7/2005 Scheyer 33/379

OTHER PUBLICATIONS

Bubble Vial Key Chain shown at: http://www.kapro.com/Product.asp?cat_id=28&parent=5&id=153.

* cited by examiner

Primary Examiner—Antoine D Davis
(74) *Attorney, Agent, or Firm*—Harold L. Novick; The Nath Law Group

(57) **CLAIM**

The ornamental design for a bubble vial with magnetic base, substantially as shown and described.

DESCRIPTION

FIG. 1 is a top perspective view of a bubble vial with magnetic base;

FIG. 2 is a front elevation view of the bubble vial with magnetic base of FIG. 1;

FIG. 3 is a top plan view of the bubble vial with magnetic base of FIG. 1;

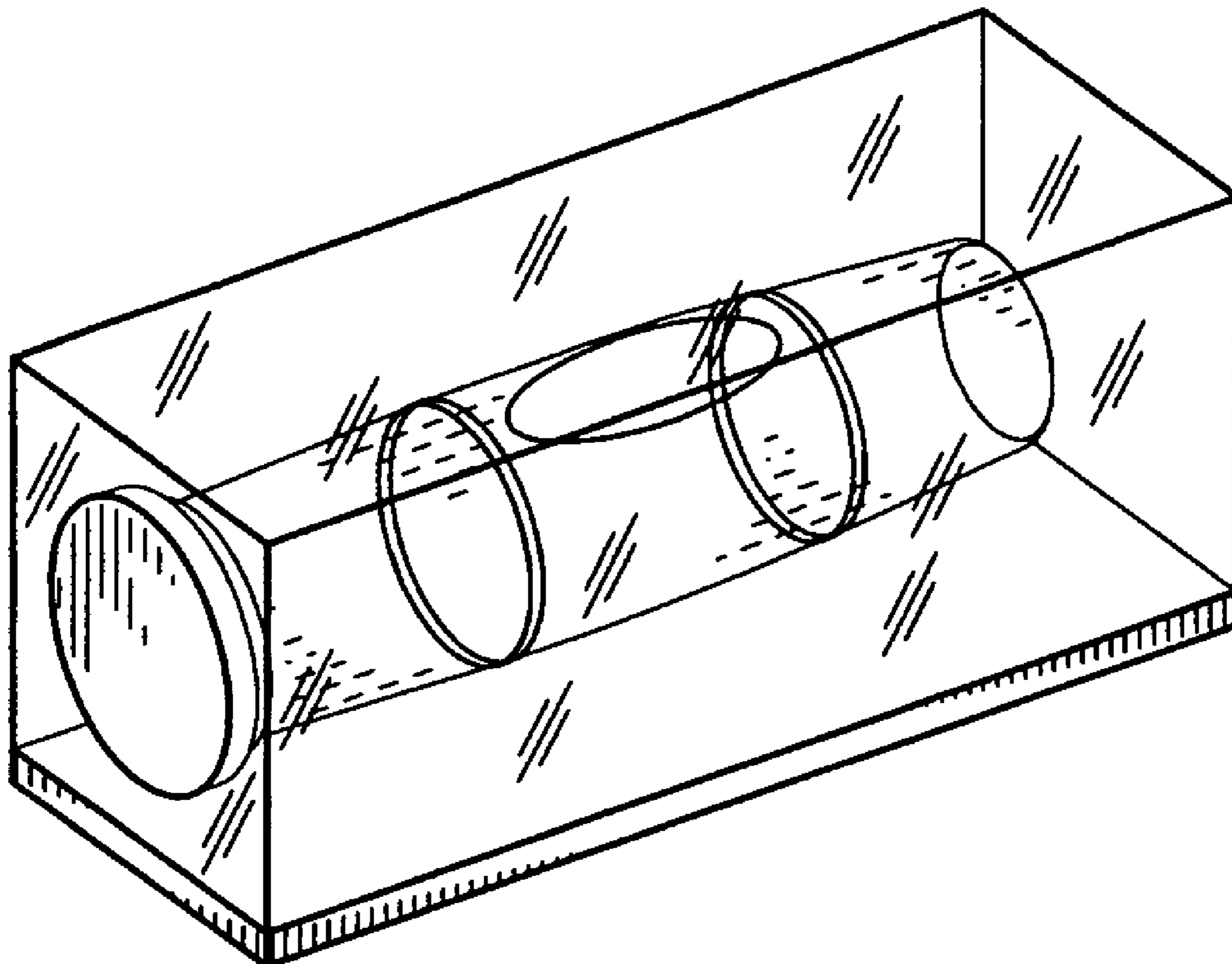
FIG. 4 is a rear elevation view of the bubble vial with magnetic base of FIG. 1;

FIG. 5 is a bottom plan view of the bubble vial with magnetic base of FIG. 1;

FIG. 6 is a left elevation view of the bubble vial with magnetic base of FIG. 1; and,

FIG. 7 is a right elevation view of the bubble vial with magnetic base of FIG. 1.

1 Claim, 2 Drawing Sheets



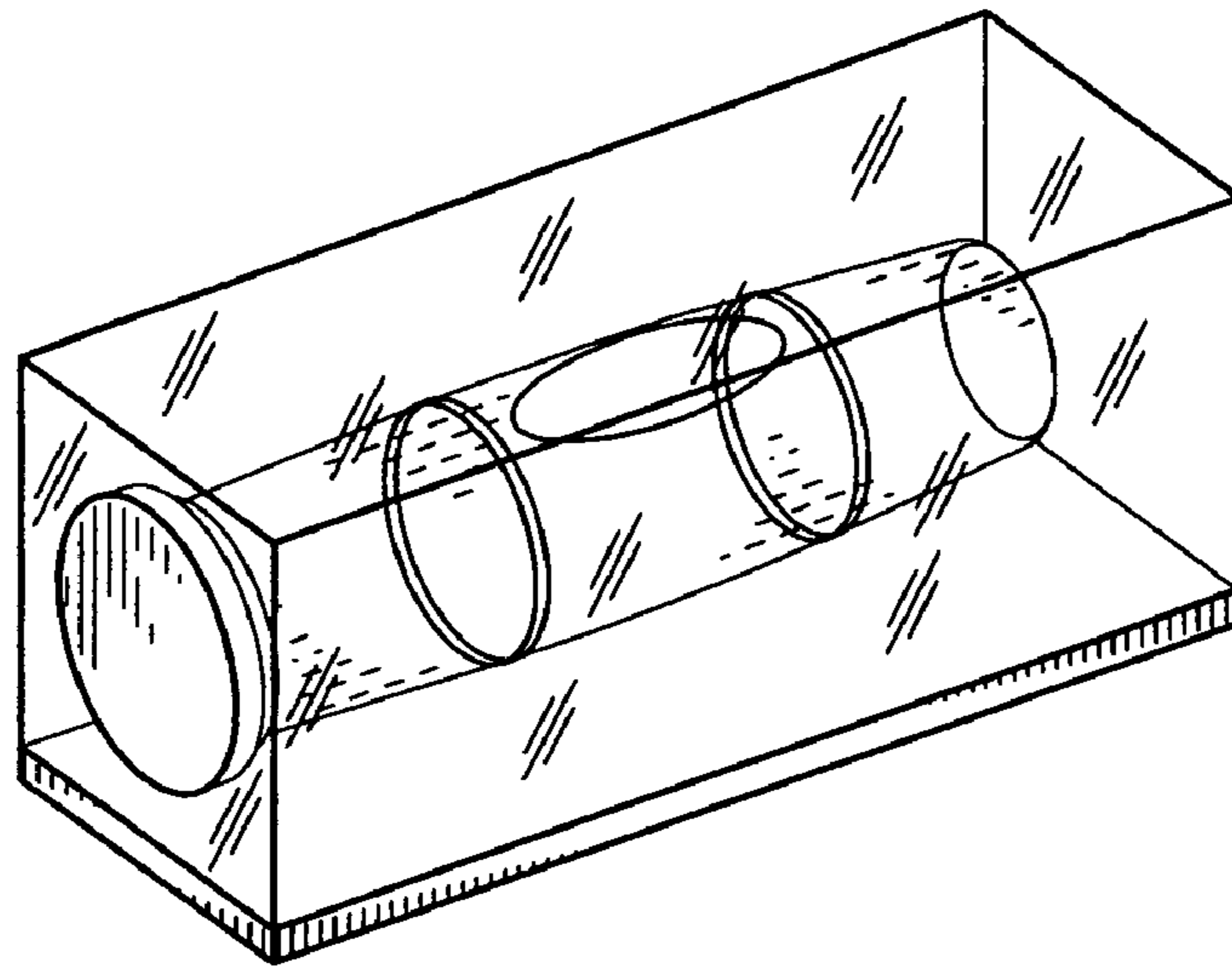


FIG. 1

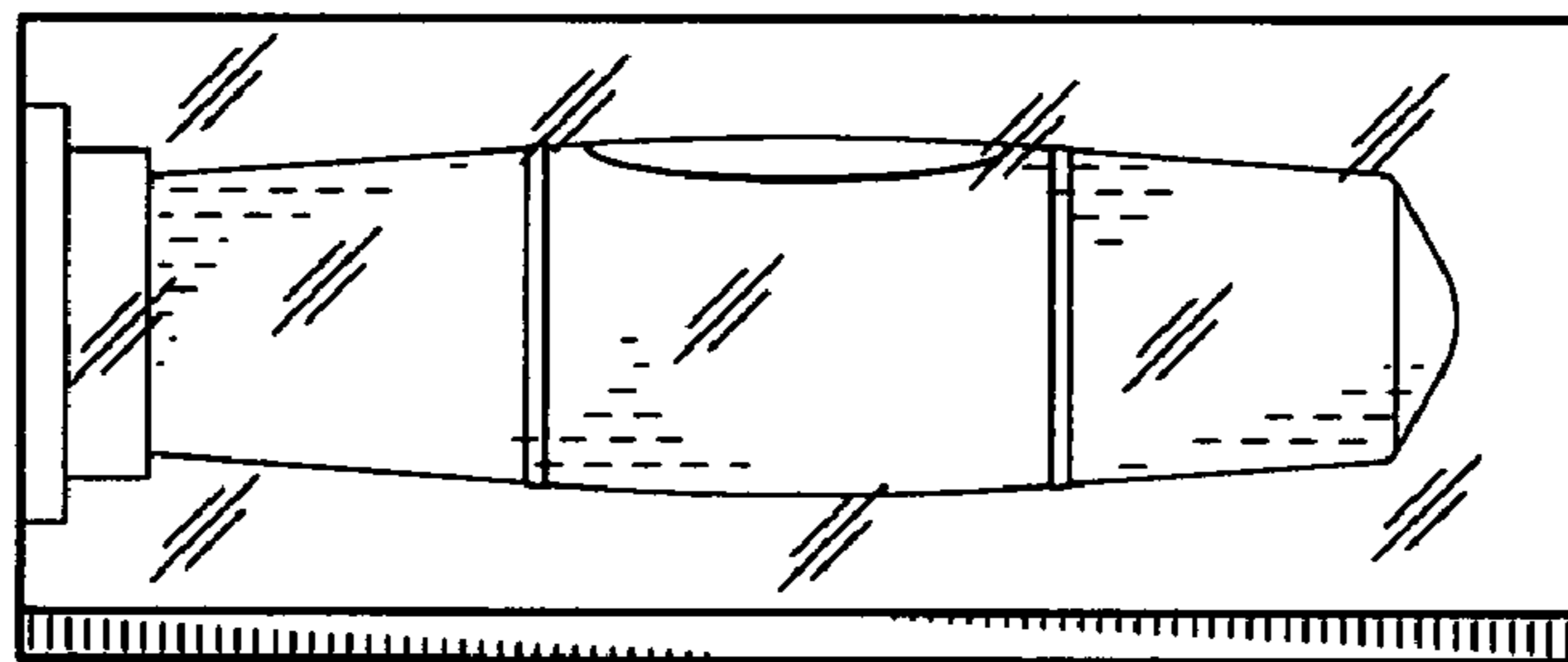


FIG. 2

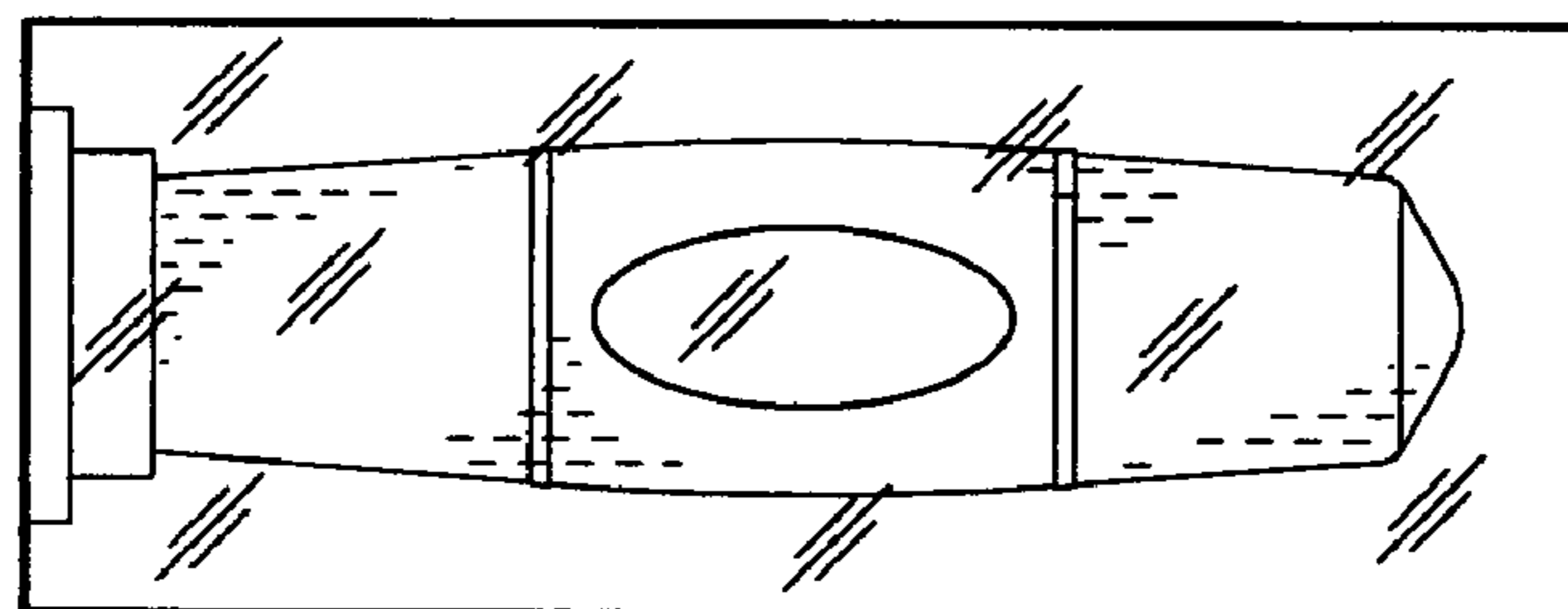


FIG. 3

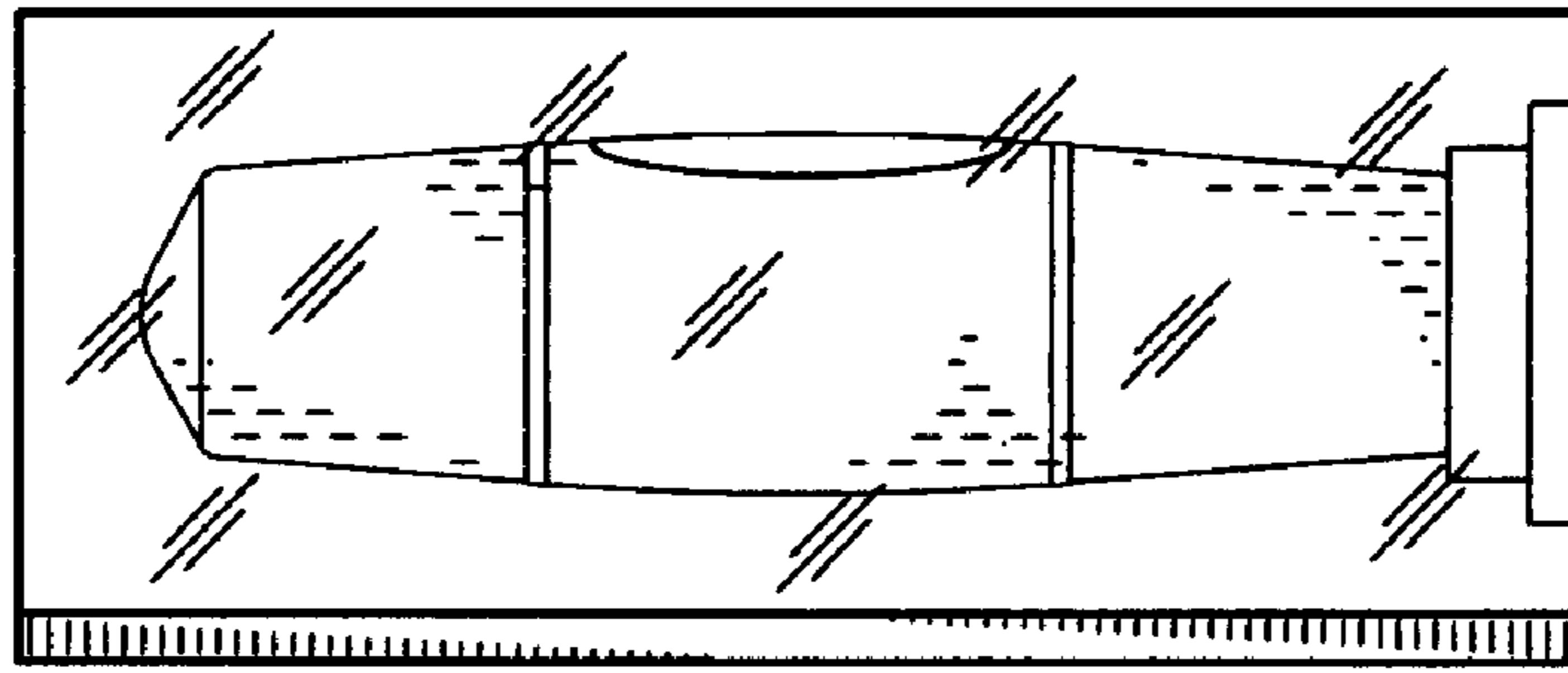


FIG. 4

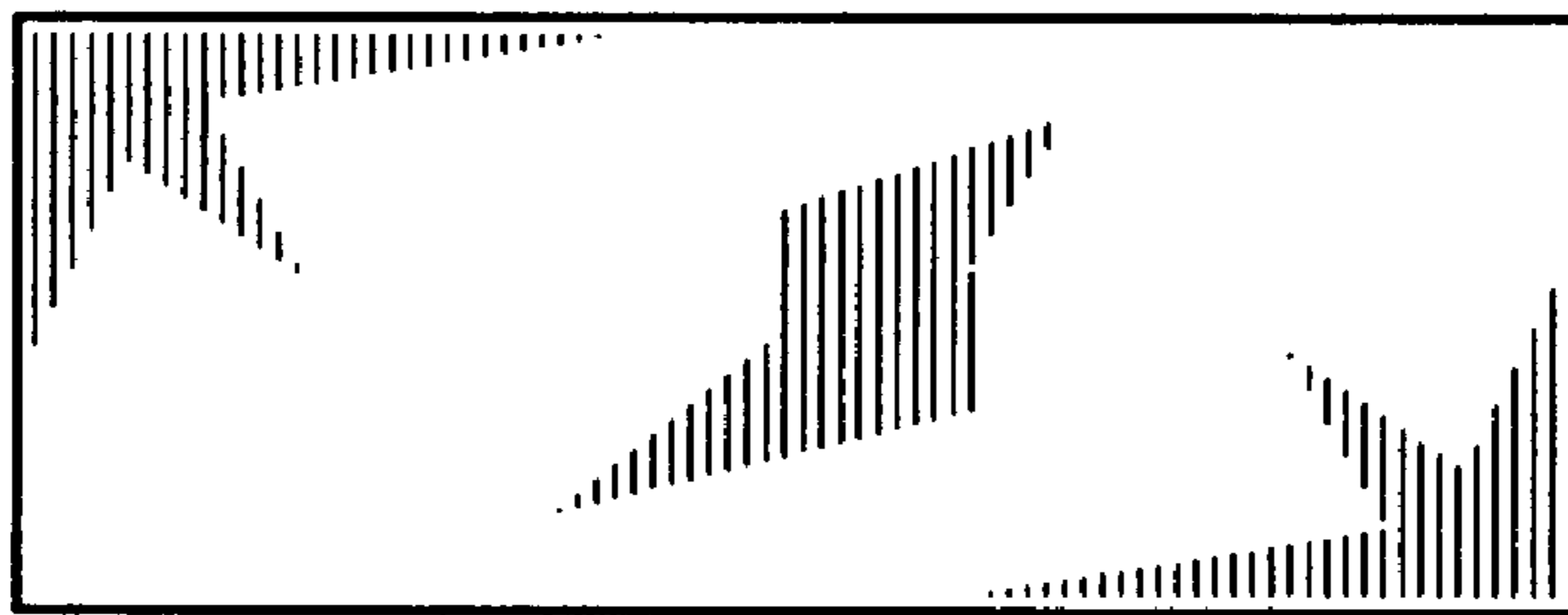


FIG. 5

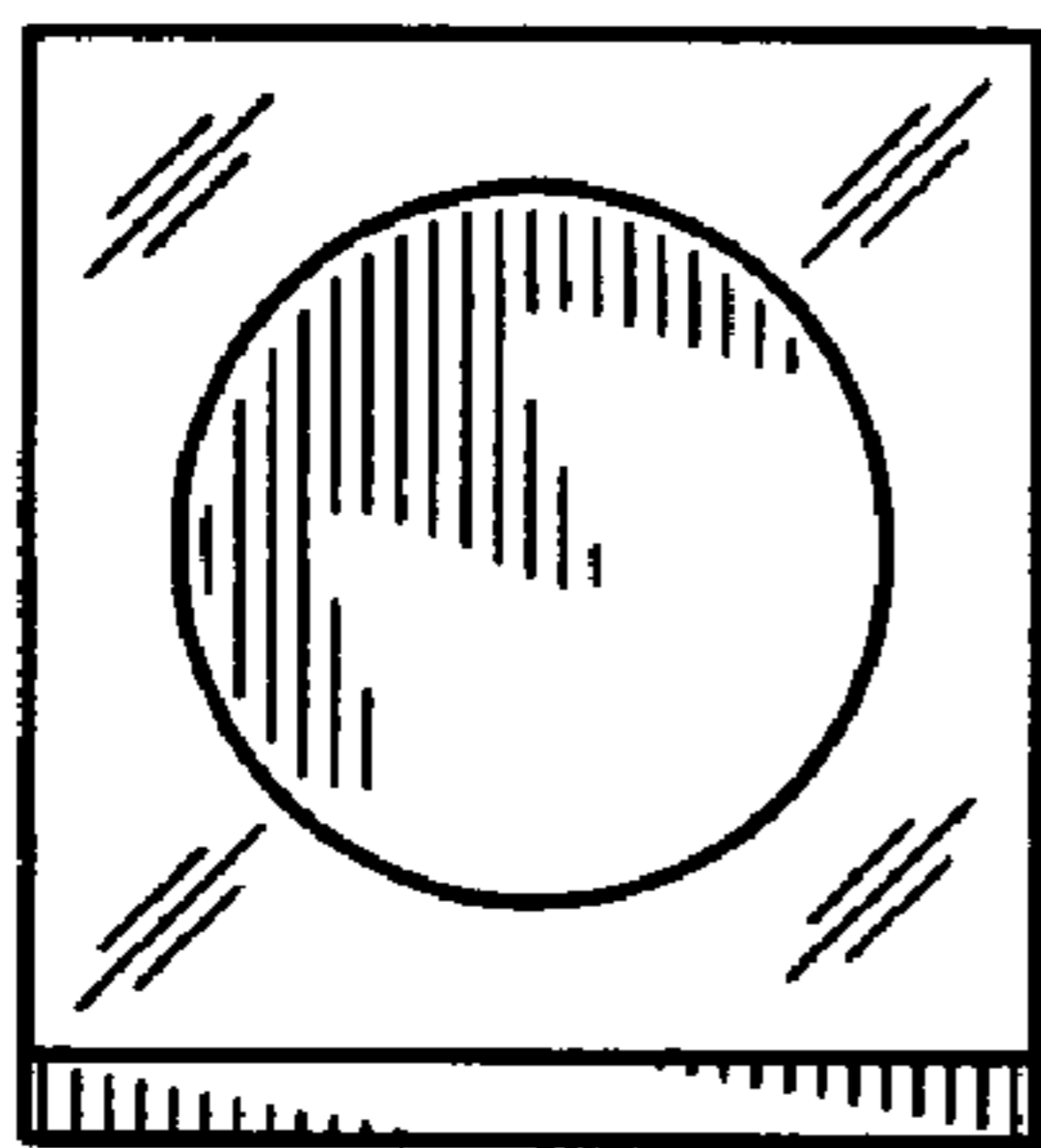


FIG. 6

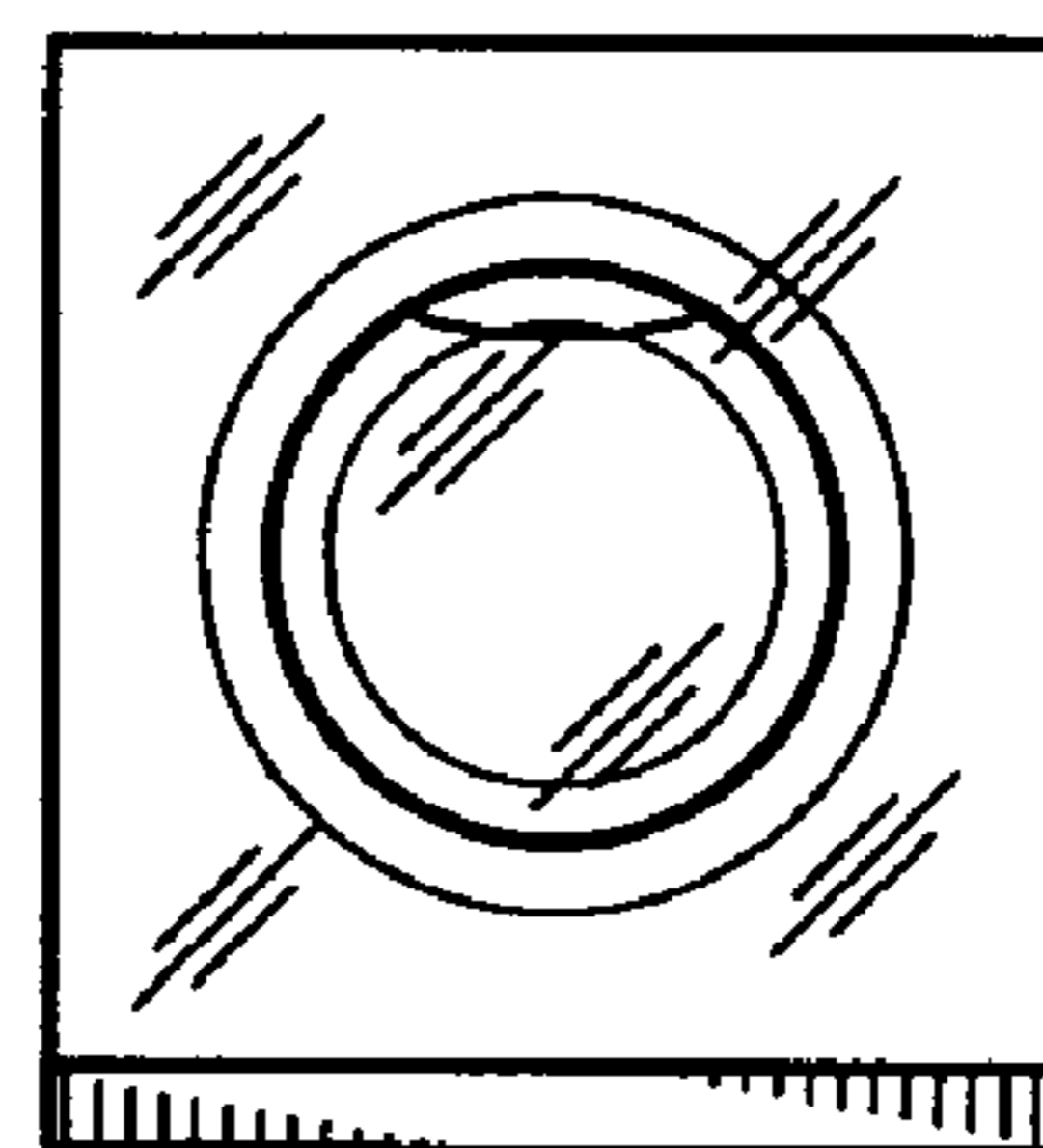


FIG. 7