



US00D572152S

(12) **United States Design Patent**  
**Bérard**

(10) **Patent No.:** **US D572,152 S**

(45) **Date of Patent:** **\*\* Jul. 1, 2008**

(54) **COMBINED WATCH AND PORTION OF A STRAP**

(75) Inventor: **Vincent Bérard**, La Chaux-de-Fonds (CH)

(73) Assignee: **Vincent Berard SA**, LaChaux-de-Fonds (CH)

(\*\*) Term: **14 Years**

(21) Appl. No.: **29/295,655**

(22) Filed: **Oct. 3, 2007**

(30) **Foreign Application Priority Data**

Apr. 5, 2007 (EM) ..... 000705744

(51) **LOC (8) Cl.** ..... **10-02**

(52) **U.S. Cl.** ..... **D10/32; D10/39**

(58) **Field of Classification Search** ..... D10/30-39, D10/122-132; 368/276, 281, 282, 285, 80, 368/223, 228, 232, 21, 28

See application file for complete search history.

(56) **References Cited**

**U.S. PATENT DOCUMENTS**

2,959,912	A *	11/1960	Morf	.....	368/294
3,269,108	A *	8/1966	Mottironi	.....	368/281
D298,610	S *	11/1988	Young	.....	D10/32
D303,635	S *	9/1989	Kurzina	.....	D10/32
D325,876	S *	5/1992	Klepper	.....	D10/31
D345,509	S *	3/1994	d'Huart	.....	D10/32

D351,799	S *	10/1994	Bulgari	.....	D10/39
D352,007	S *	11/1994	Boucheron	.....	D10/39
D380,975	S *	7/1997	Luchun	.....	D10/126
D390,127	S *	2/1998	Kennedy	.....	D10/32
D398,859	S *	9/1998	Kennedy	.....	D10/30
D403,609	S *	1/1999	Waldman	.....	D10/128
D453,474	S *	2/2002	Guadalupe	.....	D10/30
D475,935	S *	6/2003	Modolo	.....	D10/39
D487,403	S *	3/2004	Geockeritz et al.	.....	D10/39
D538,181	S *	3/2007	Sugiura	.....	D10/31

\* cited by examiner

*Primary Examiner*—Lucy Lieberman

(74) *Attorney, Agent, or Firm*—Carmody & Torrance LLP

(57) **CLAIM**

The ornamental design for a combined watch and portion of a strap, as shown and described.

**DESCRIPTION**

FIG. 1 is a perspective view of a combined watch and portion of a strap showing my new design;

FIG. 2 is a left side elevational view thereof;

FIG. 3 is a top plan view thereof;

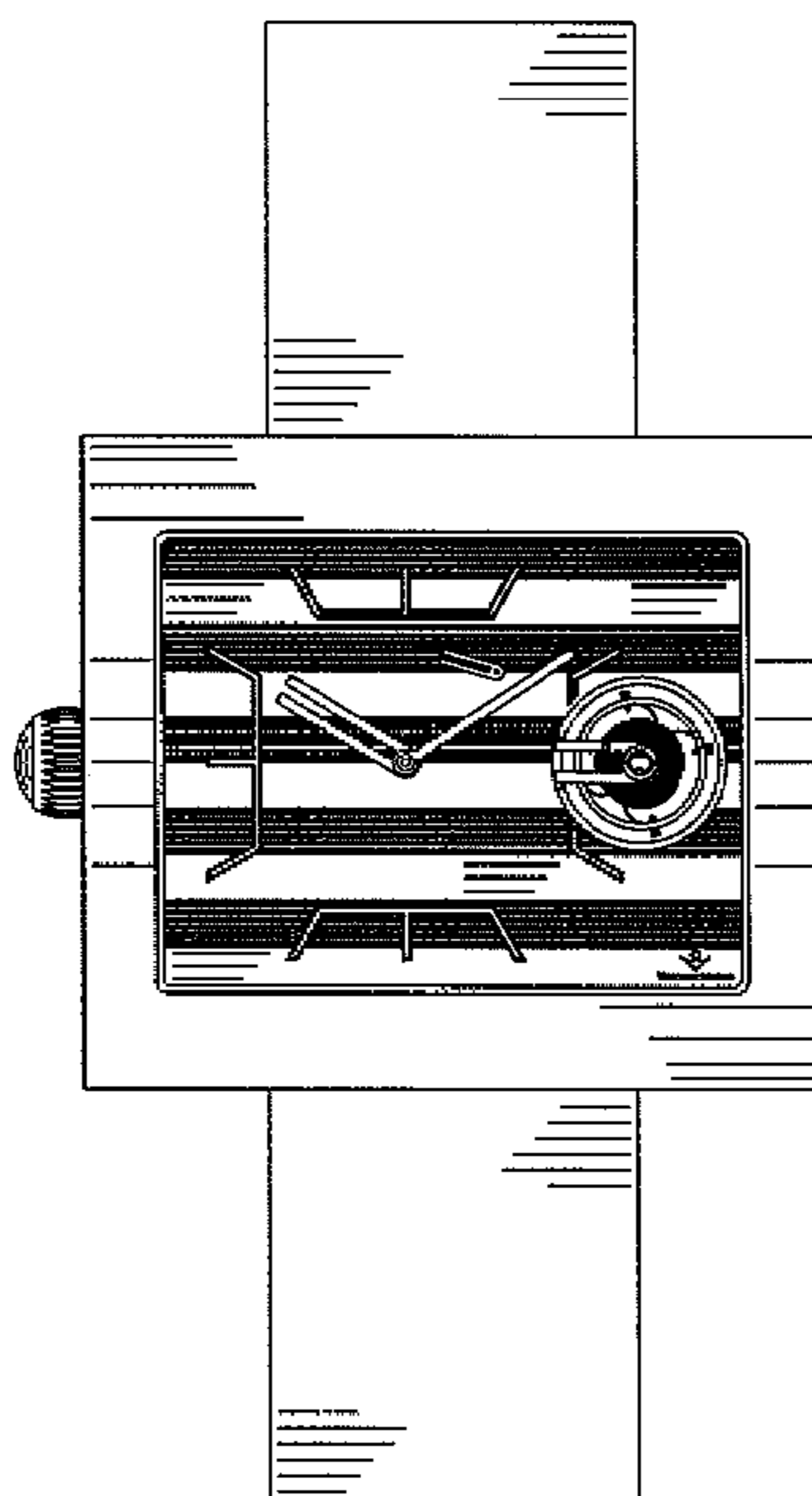
FIG. 4 is a right side elevational view thereof;

FIG. 5 is a first end elevational view thereof;

FIG. 6 is a second end elevational view thereof; and,

FIG. 7 is a bottom plan view.

**1 Claim, 3 Drawing Sheets**



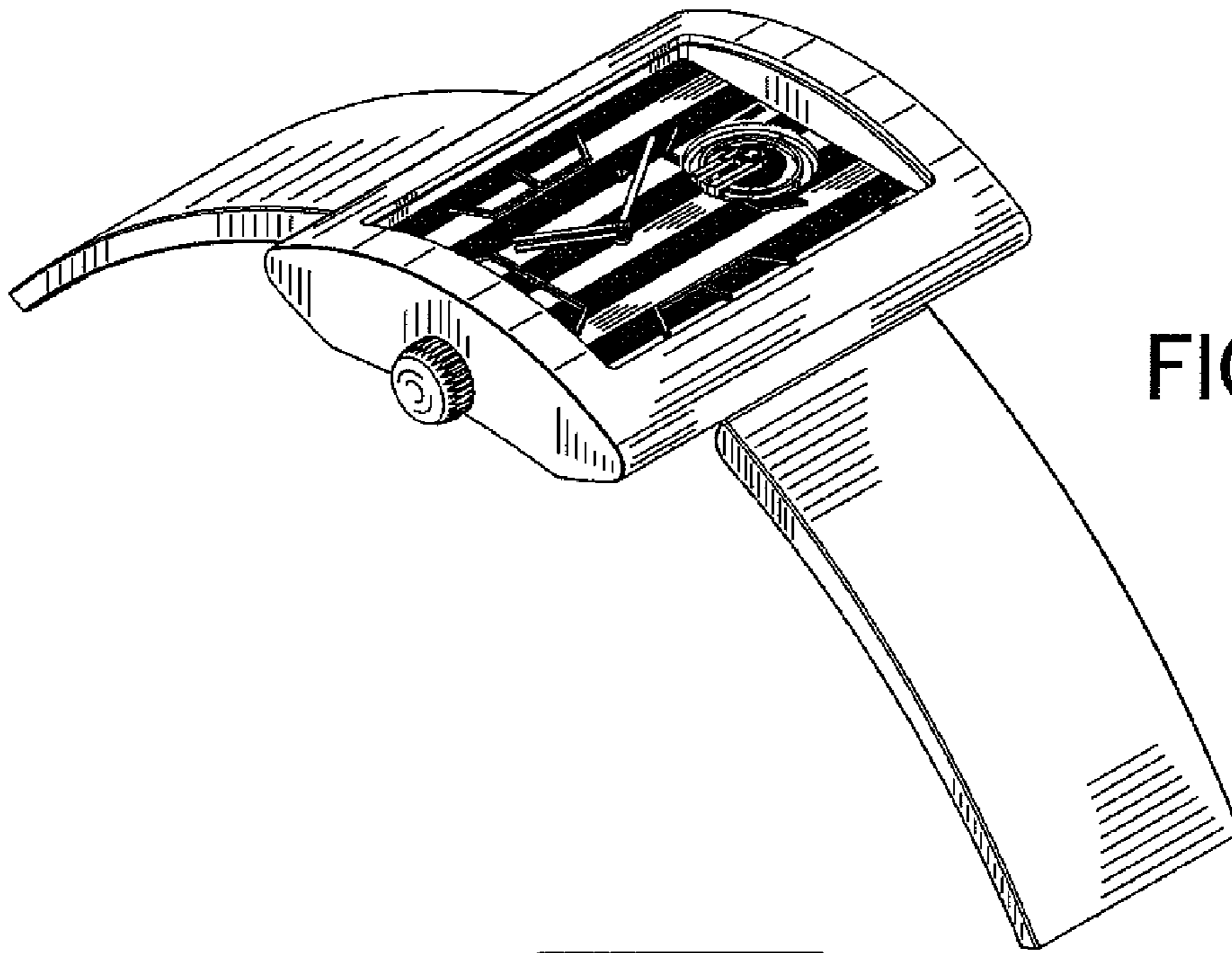


FIG. 1

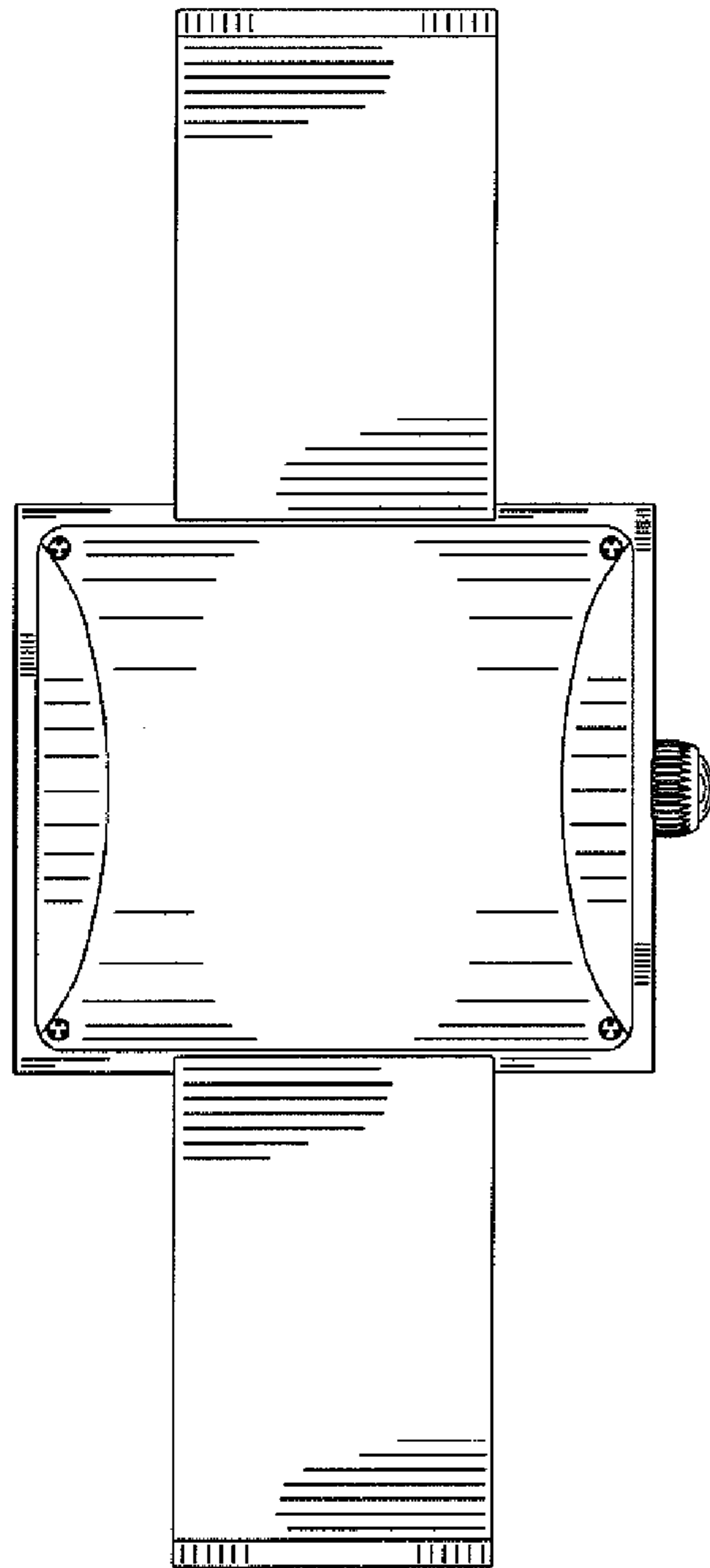


FIG. 7

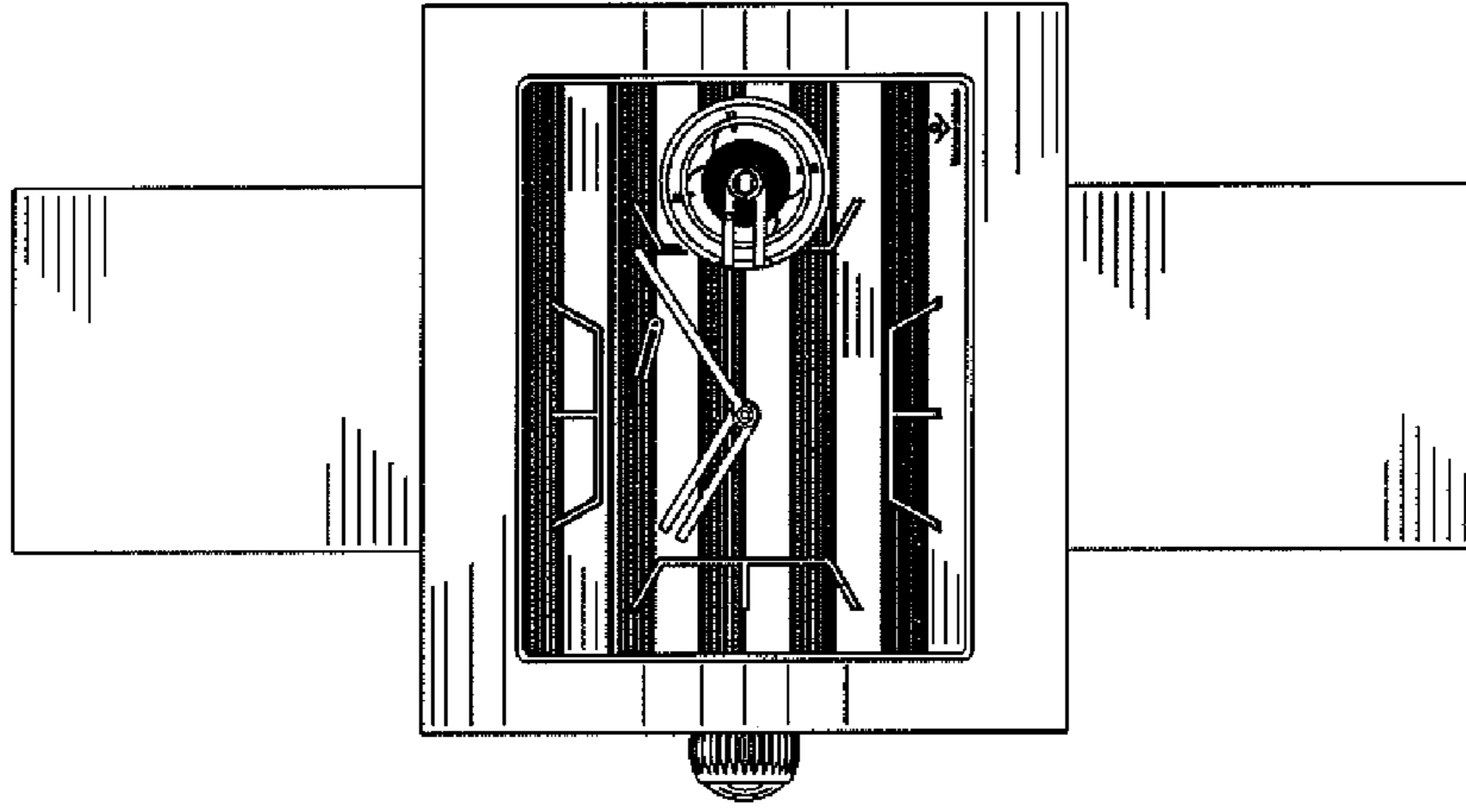


FIG. 3

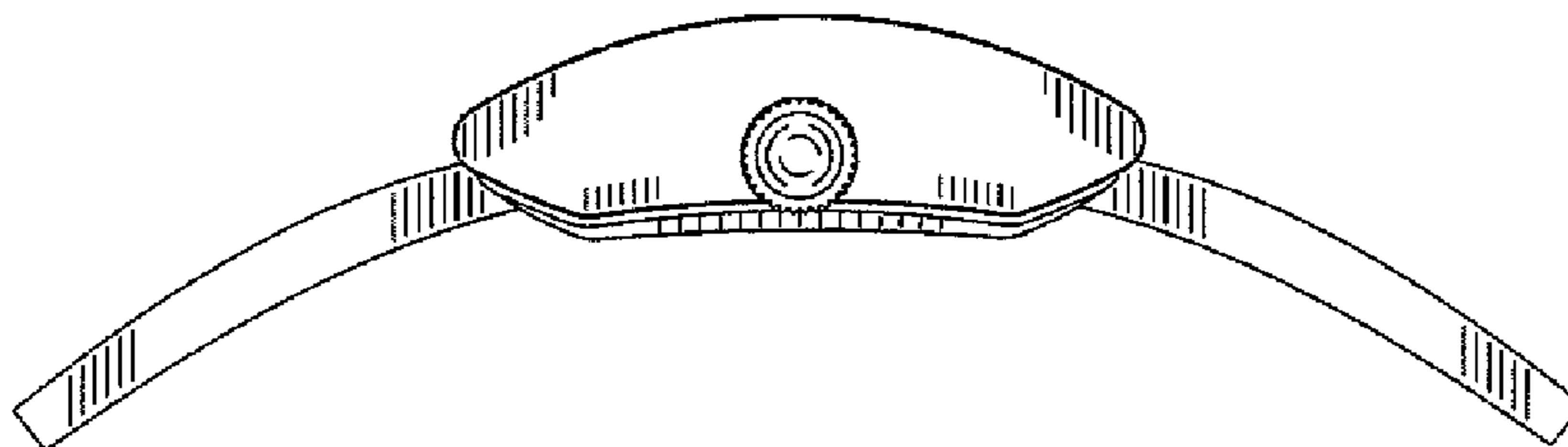


FIG. 2

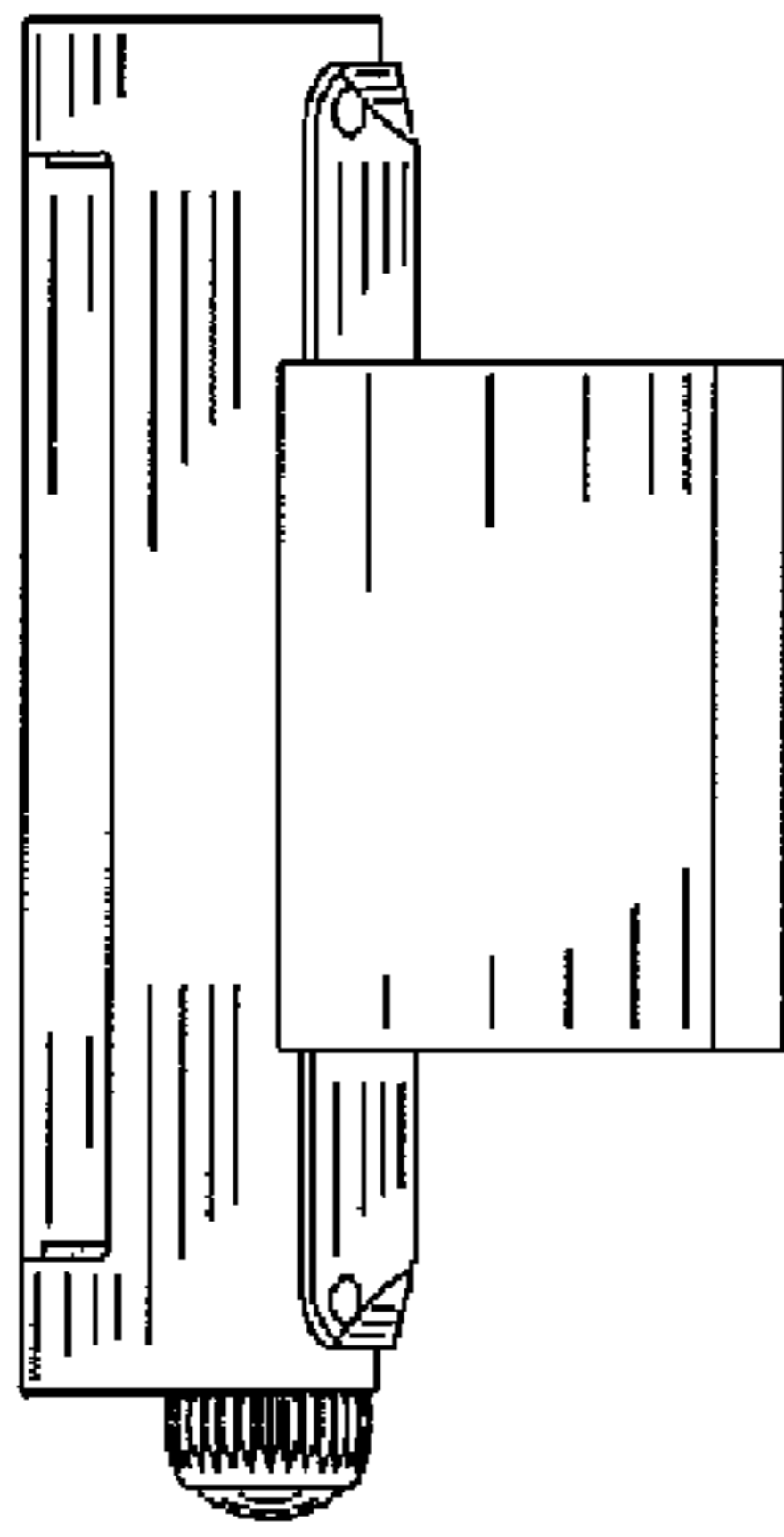


FIG. 5

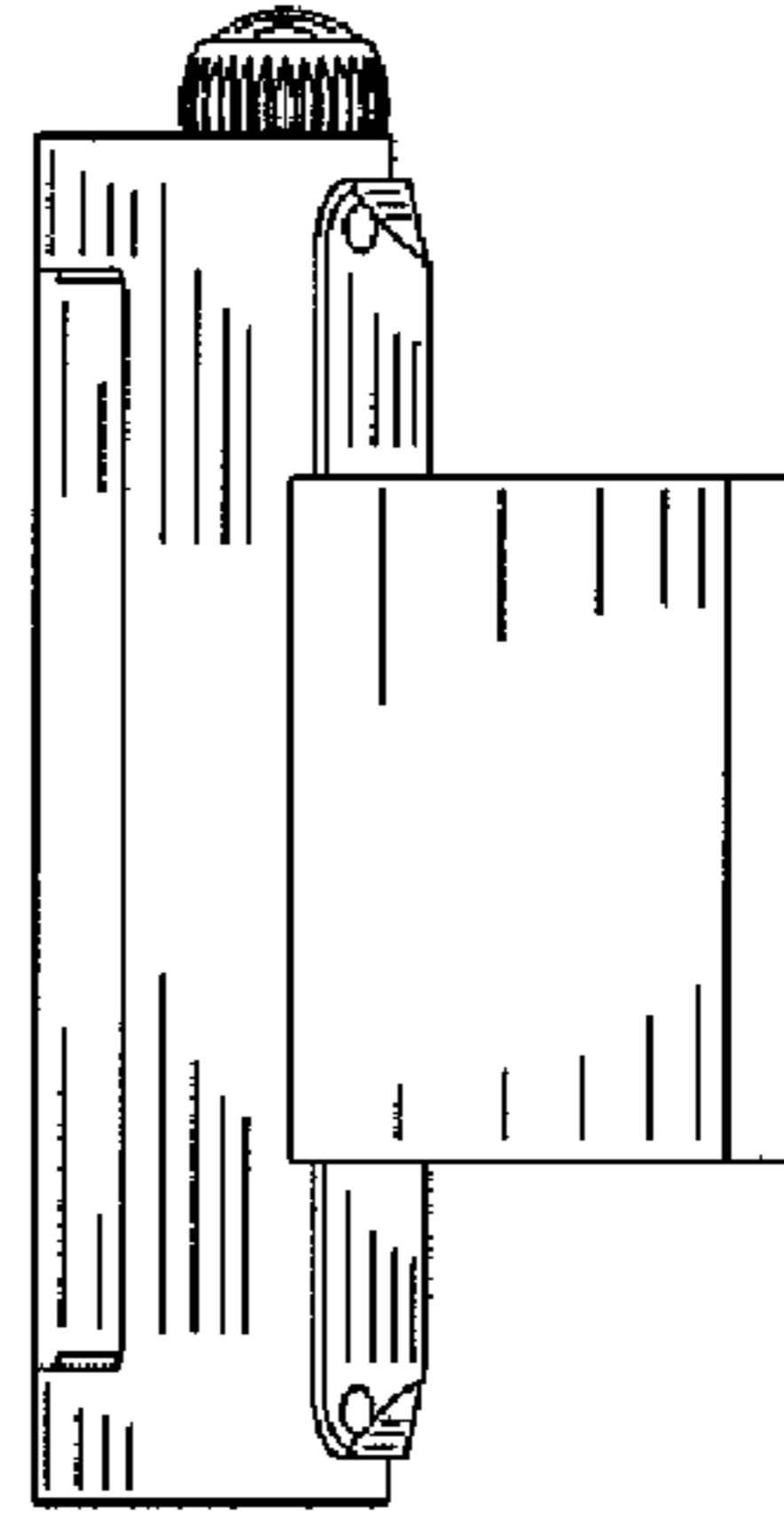


FIG. 6

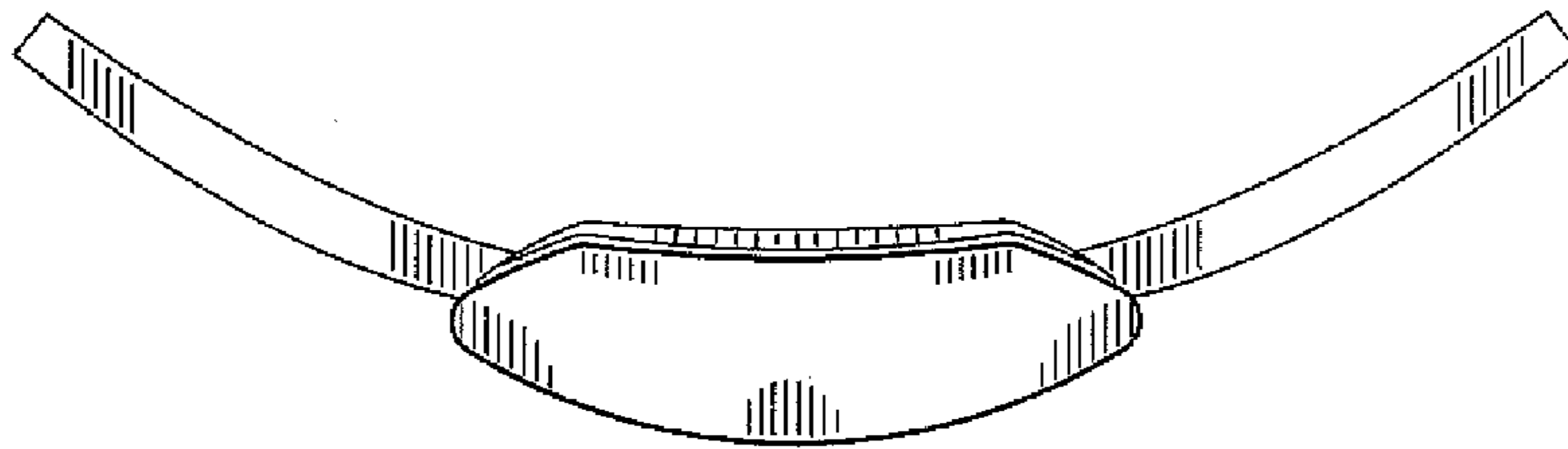


FIG. 4