



US00D572150S

(12) **United States Design Patent**  
**Stowers et al.**

(10) **Patent No.:** **US D572,150 S**  
(45) **Date of Patent:** **\*\* Jul. 1, 2008**

(54) **RAZOR TRAY**

FOREIGN PATENT DOCUMENTS

(75) Inventors: **David Stowers**, Morristown, NJ (US);  
**James C. Wightman**, Livingston, NJ (US)

EP 1 407 684 A1 4/2004

*Primary Examiner*—Stella M. Reid  
*Assistant Examiner*—Mark A Goodwin

(73) Assignee: **American Safety Razor**, Verona, VA (US)

(74) *Attorney, Agent, or Firm*—McDermott Will & Emery LLP

(\*\*) Term: **14 Years**

(57) **CLAIM**

(21) Appl. No.: **29/287,294**

The ornamental design for a razor tray, as shown and described.

(22) Filed: **Jul. 20, 2007**

**DESCRIPTION**

(51) **LOC (8) Cl.** ..... **09-03**

FIG. 1 is a front perspective view of the razor tray, showing the new design;

(52) **U.S. Cl.** ..... **D9/749**

FIG. 2 is a front view of the razor tray;

(58) **Field of Classification Search** ..... D9/749,

FIG. 3 is a rear view of the razor tray;

D9/737, 748, 415, 430-432; D6/526, 512;

FIG. 4 is a side view of the razor tray;

D3/201, 205; D28/44, 99; 206/349, 228,

FIG. 5 is another side view of the razor tray;

206/244, 252, 775, 208, 493, 354-360

FIG. 6 is a top view of the razor tray;

See application file for complete search history.

FIG. 7 is a bottom view of the razor tray;

(56) **References Cited**

U.S. PATENT DOCUMENTS

FIG. 8 is a front perspective view of the razor tray with a razor in it;

D159,807 S 8/1950 Hanson

FIG. 9 is a front view of the razor tray with a razor in it;

D227,446 S \* 6/1973 Glaberson ..... D9/749

FIG. 10 is a rear view of the razor tray with a razor in it;

D256,995 S 9/1980 Kiraly

FIG. 11 is a side view of the razor tray with a razor in it;

D258,270 S 2/1981 Gray

FIG. 12 is another side view of the razor tray with a razor in it;

4,373,628 A 2/1983 Dantes

FIG. 13 is a top view of the razor tray with a razor in it; and,

D296,059 S 6/1988 Jackson

FIG. 14 is a bottom view of the razor tray with a razor in it.

D320,342 S 10/1991 Gray

The broken lines showing various elements of the razor in the razor tray are included for the purpose of illustrating non-claimed subject matter and forms no part of the claimed design.

5,457,887 A 10/1995 Grange

D364,060 S 11/1995 Lai

D370,844 S 6/1996 Shurtleff et al.

D373,444 S 9/1996 Shurtleff et al.

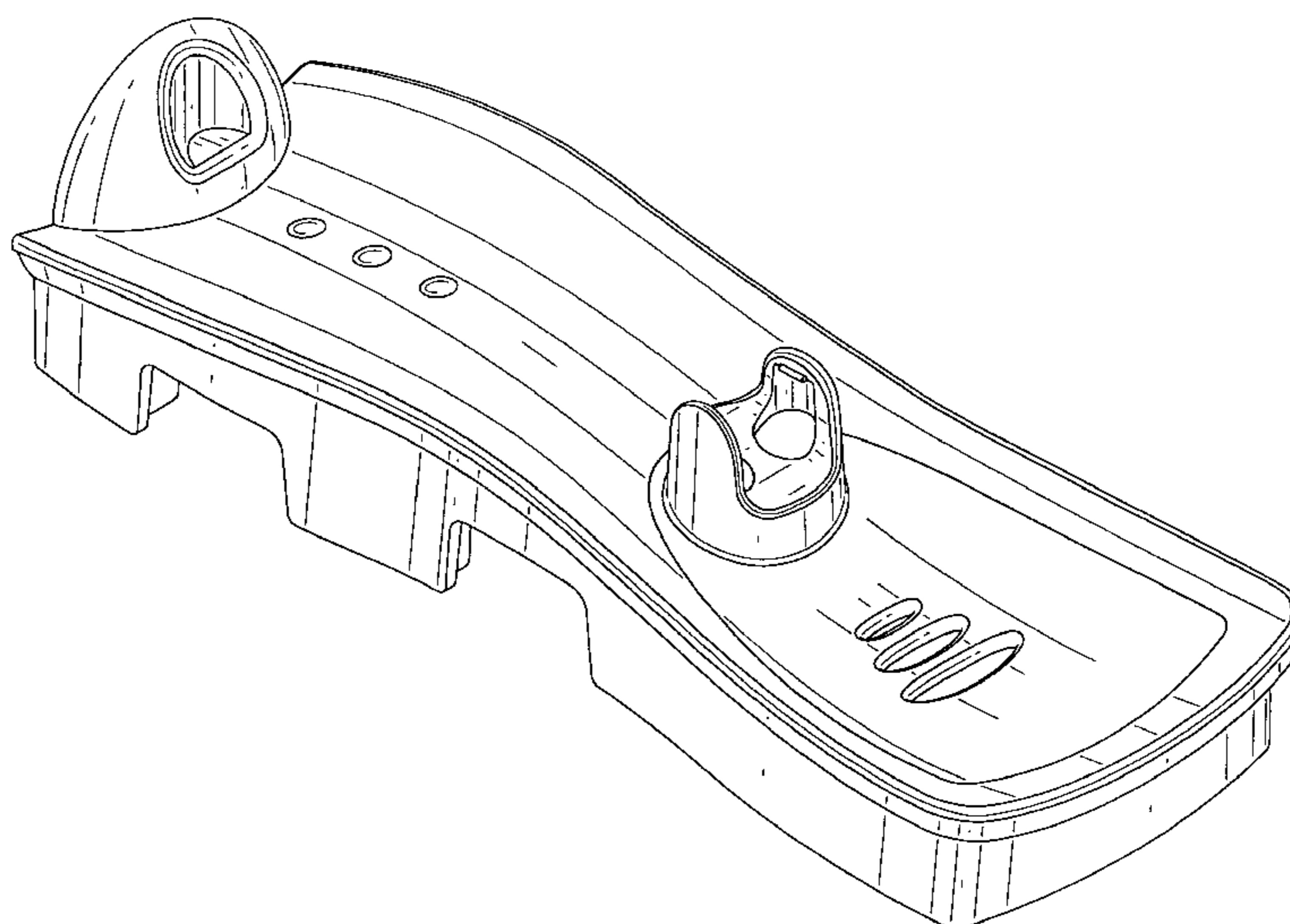
D393,973 S 5/1998 Herring

5,782,346 A 7/1998 Gray et al.

D399,421 S 10/1998 Gray

(Continued)

**1 Claim, 12 Drawing Sheets**



# US D572,150 S

Page 2

---

## U.S. PATENT DOCUMENTS

D401,145 S	11/1998	Gray	D524,169 S	7/2006	Dansreau et al.
D409,799 S	5/1999	Prochaska	D533,380 S	12/2006	Danserau et al.
5,903,978 A	5/1999	Prochaska et al.	D533,466 S	12/2006	Wonderley et al.
D433,187 S *	10/2000	Dettman ..... D28/44	D540,191 S	4/2007	Ramm et al.
D494,796 S	8/2004	Danserau et al.	2006/0037197 A1	2/2006	Hawes et al.
D511,105 S	11/2005	Dominesey et al.	2006/0265887 A1	11/2006	Malkewich

\* cited by examiner

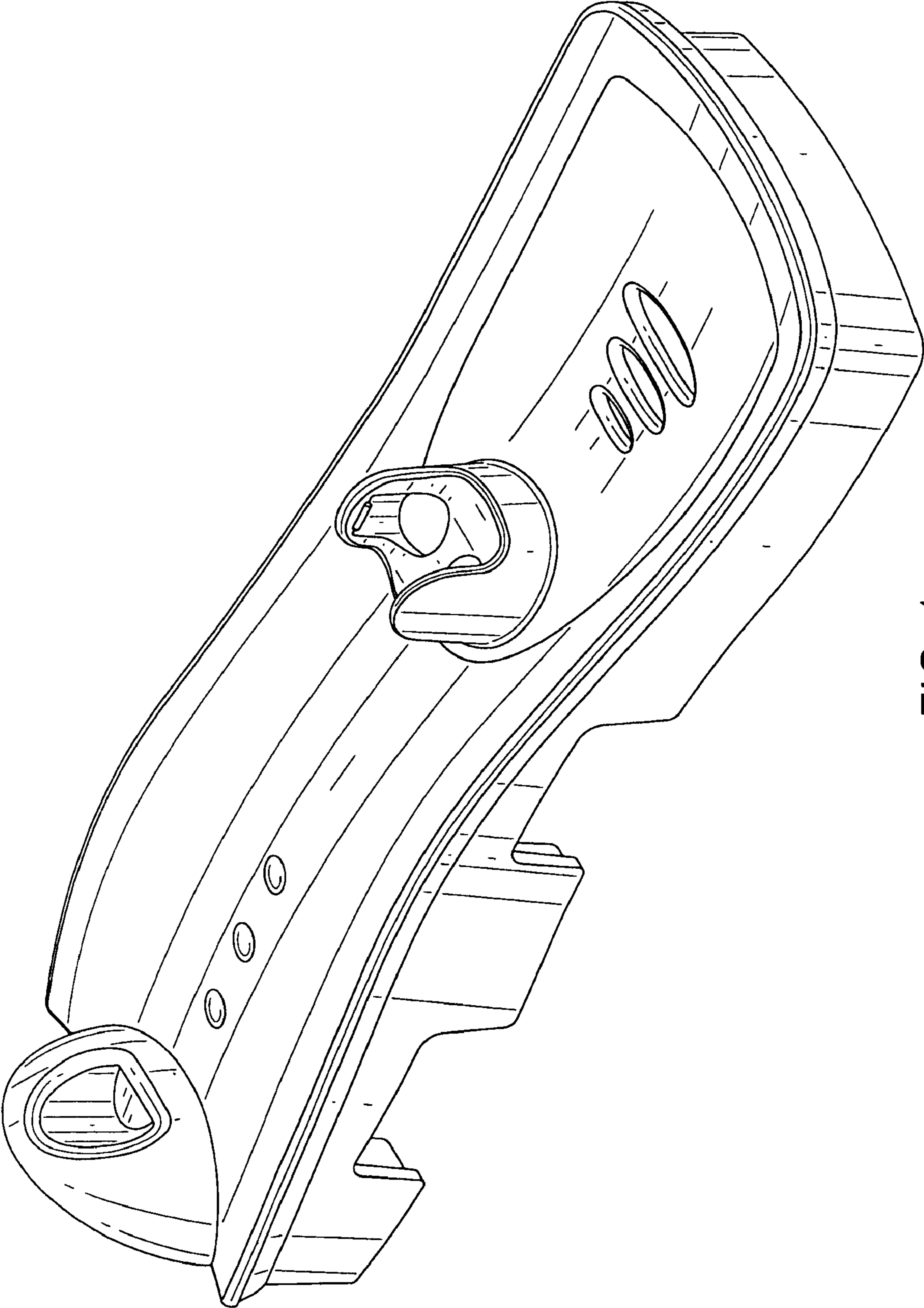


FIG. 1

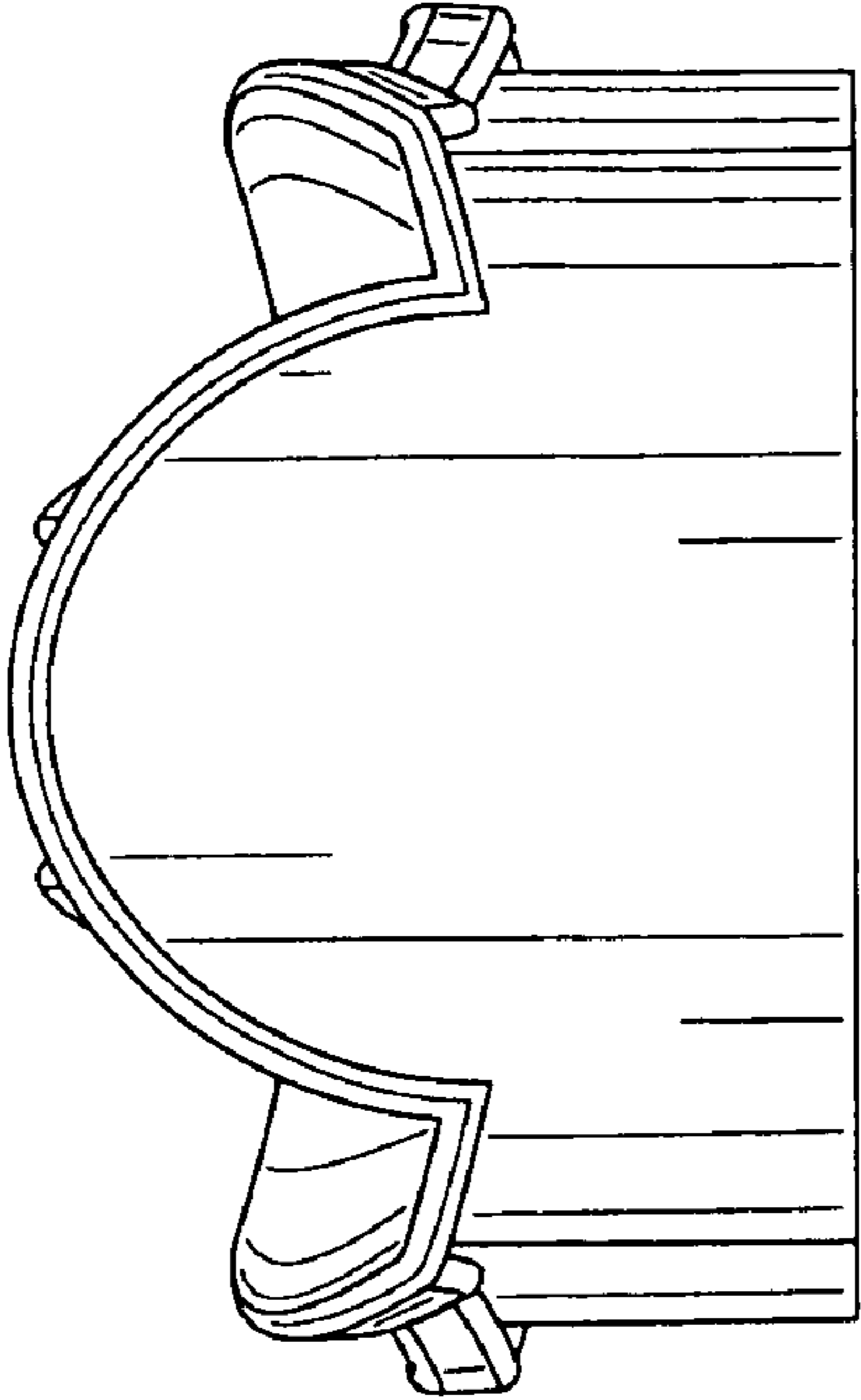


FIG. 3

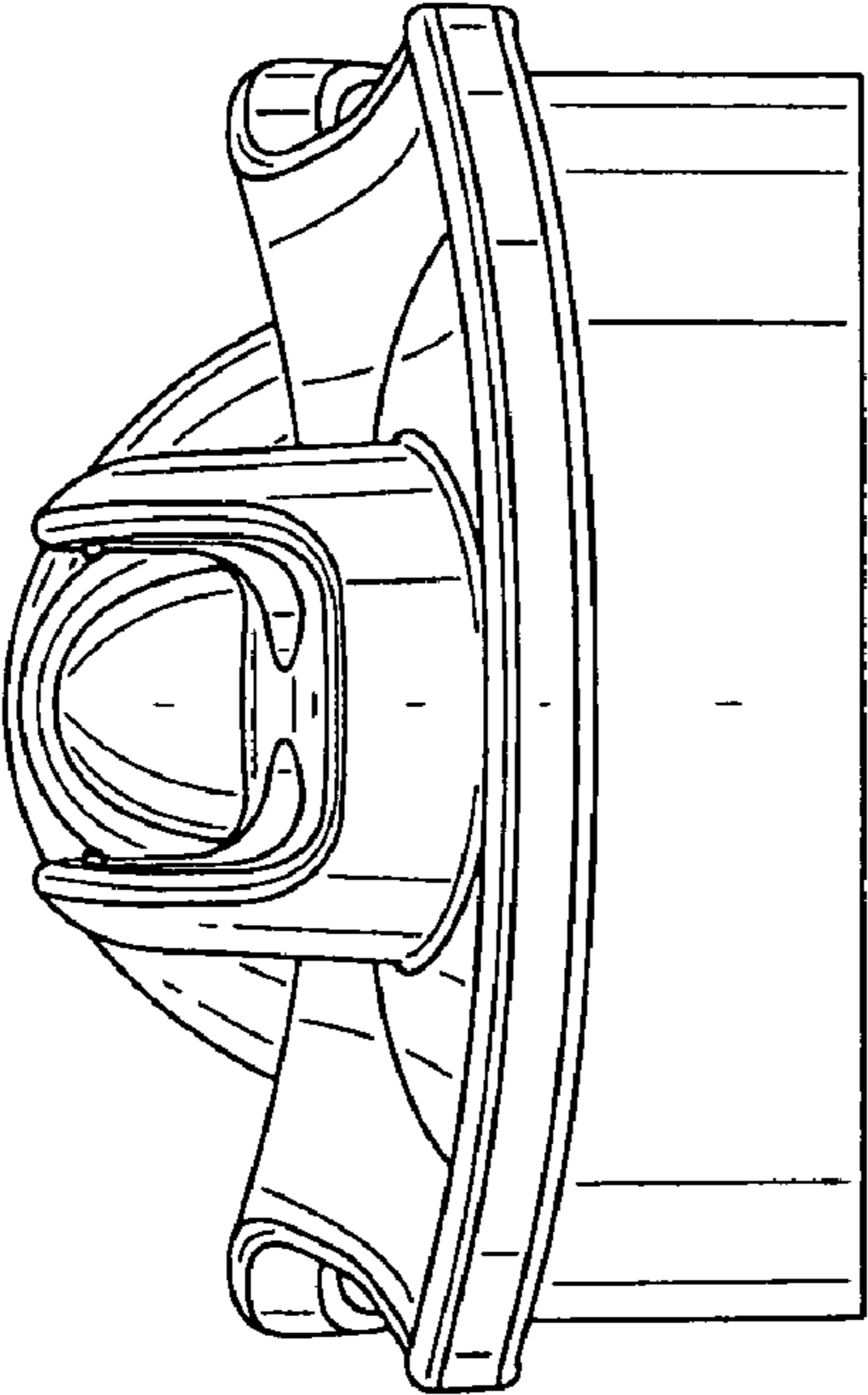


FIG. 2

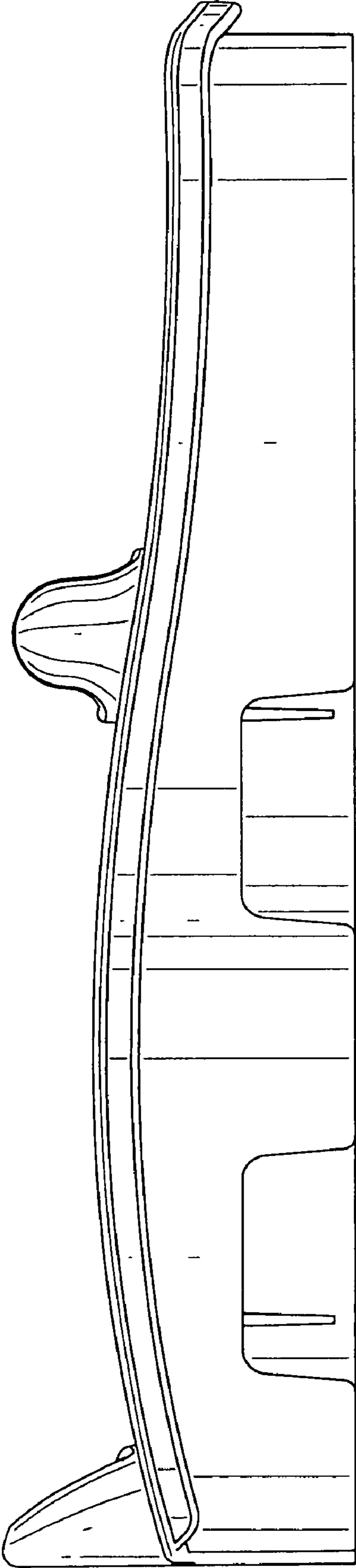


FIG. 4

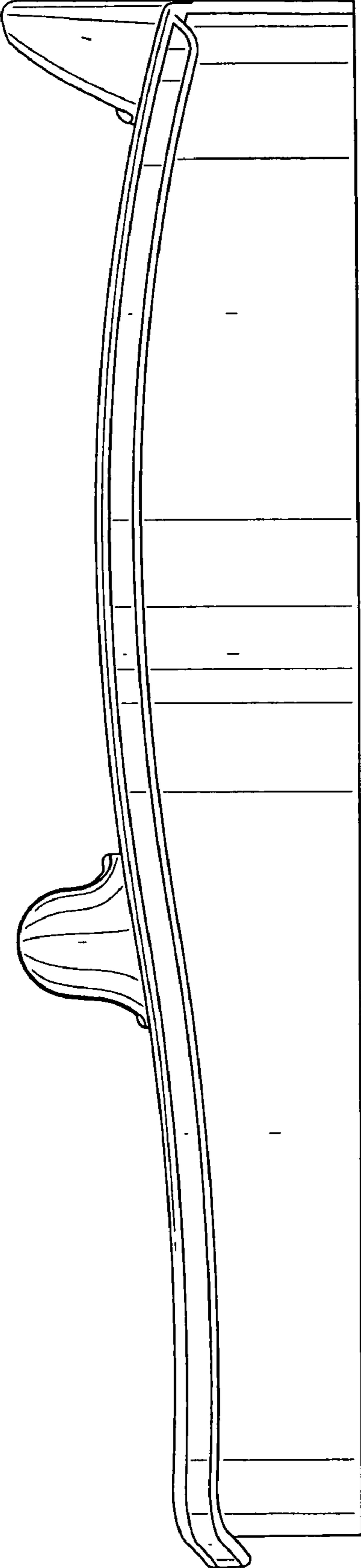


FIG. 5



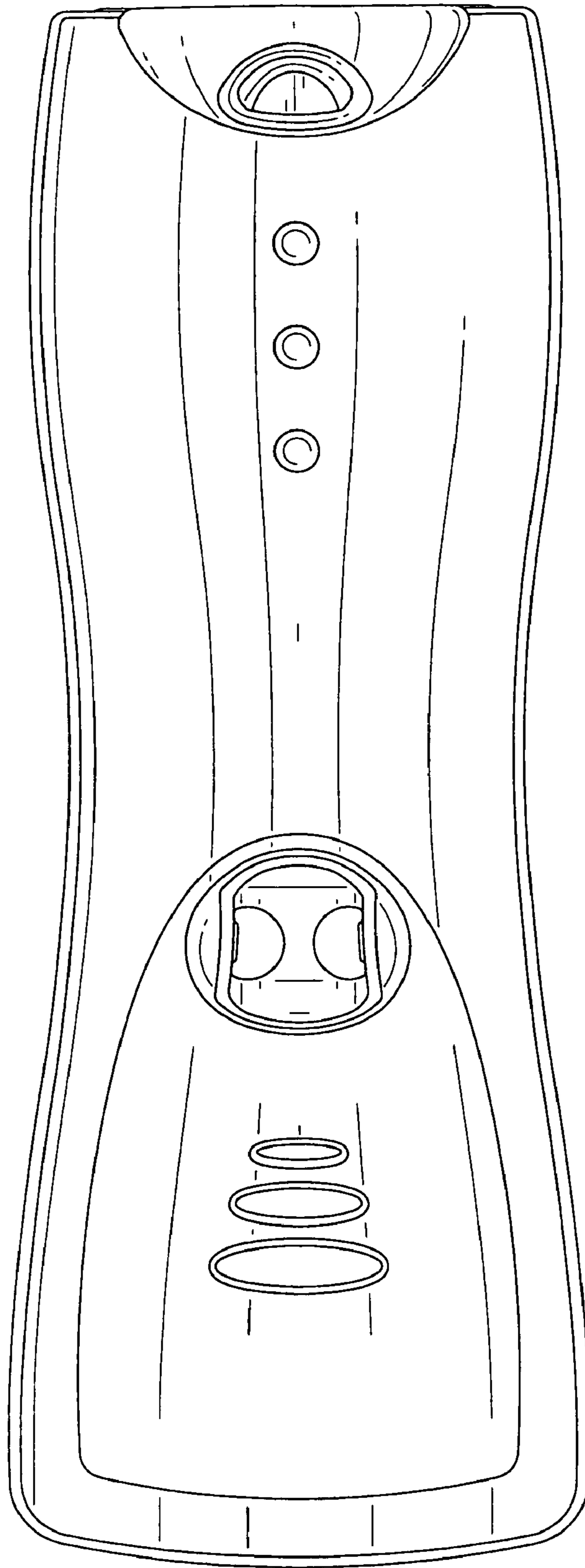


FIG. 6

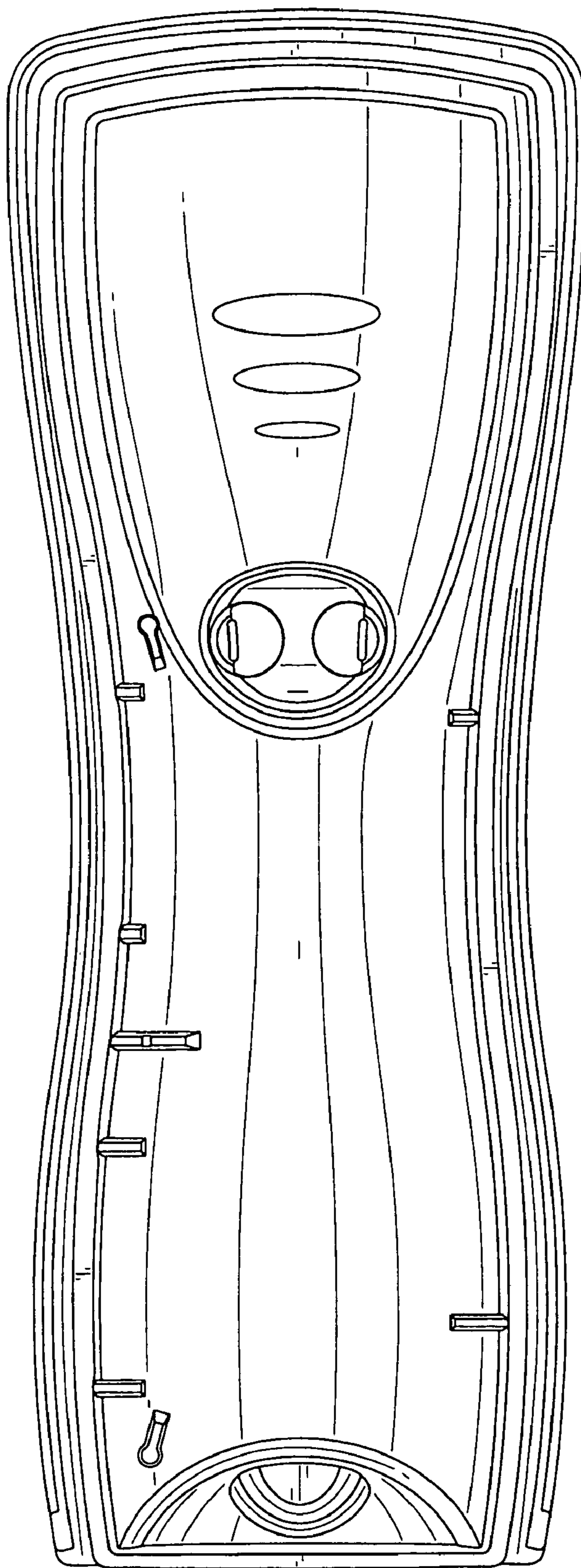


FIG. 7



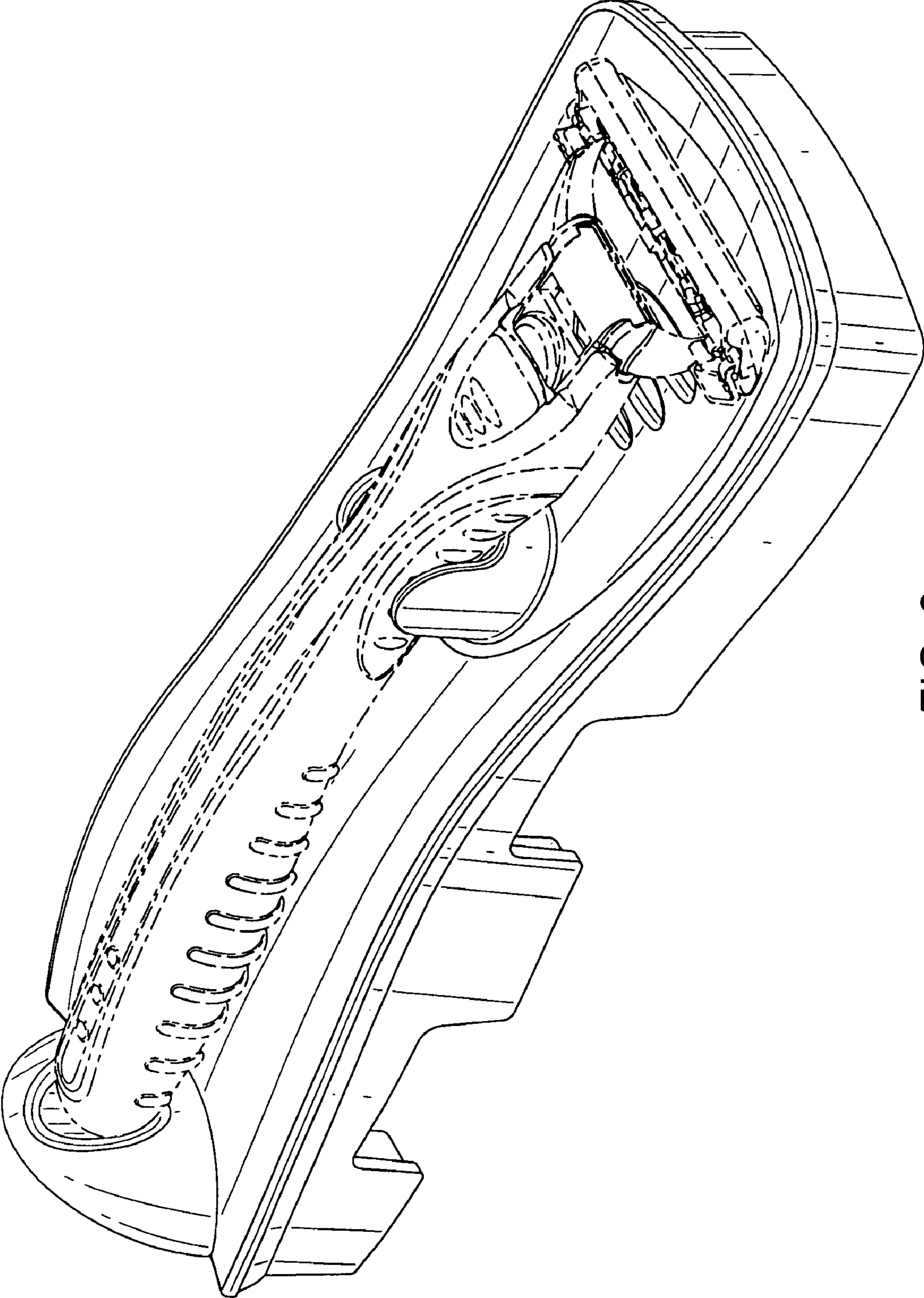


FIG. 8

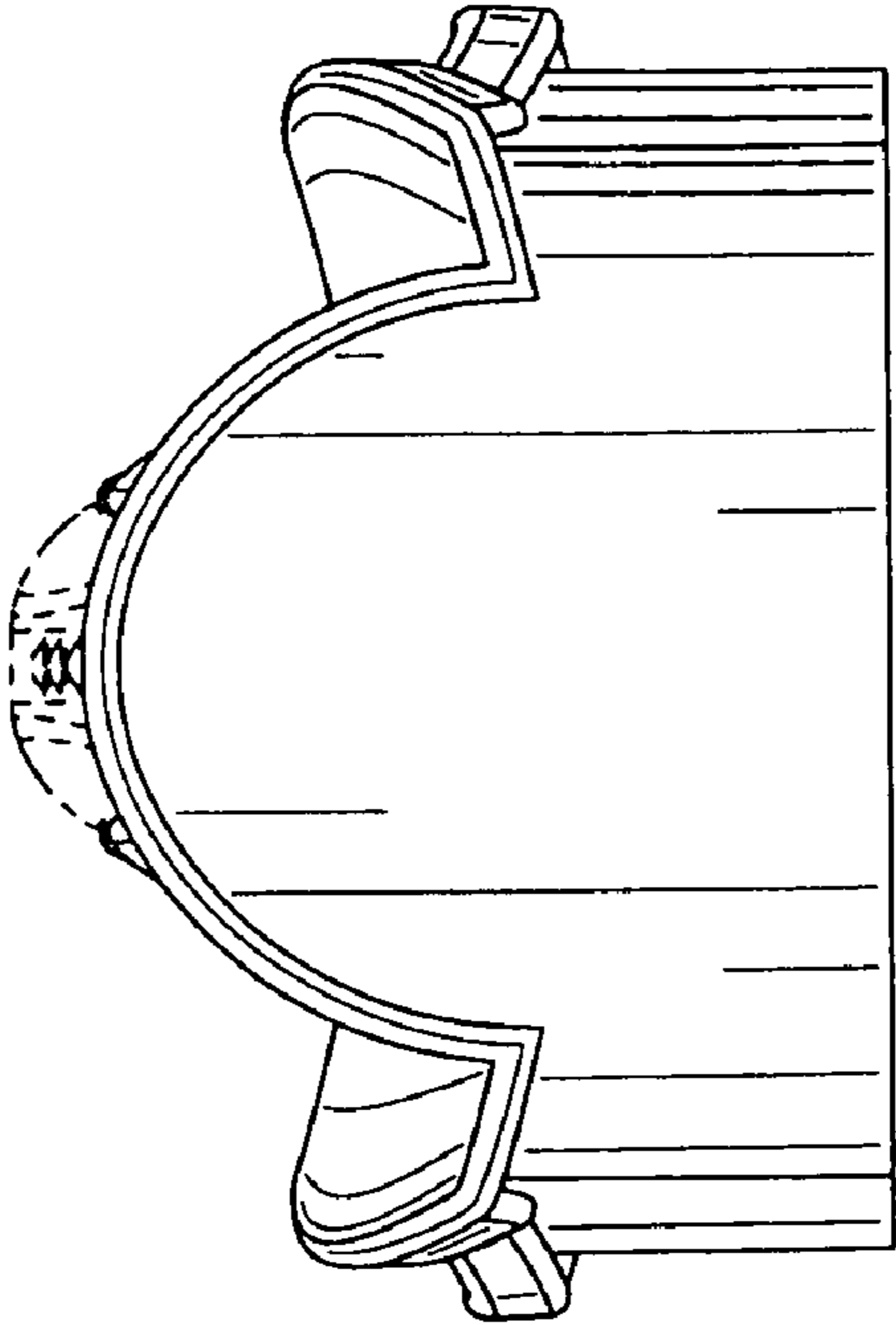


FIG. 10

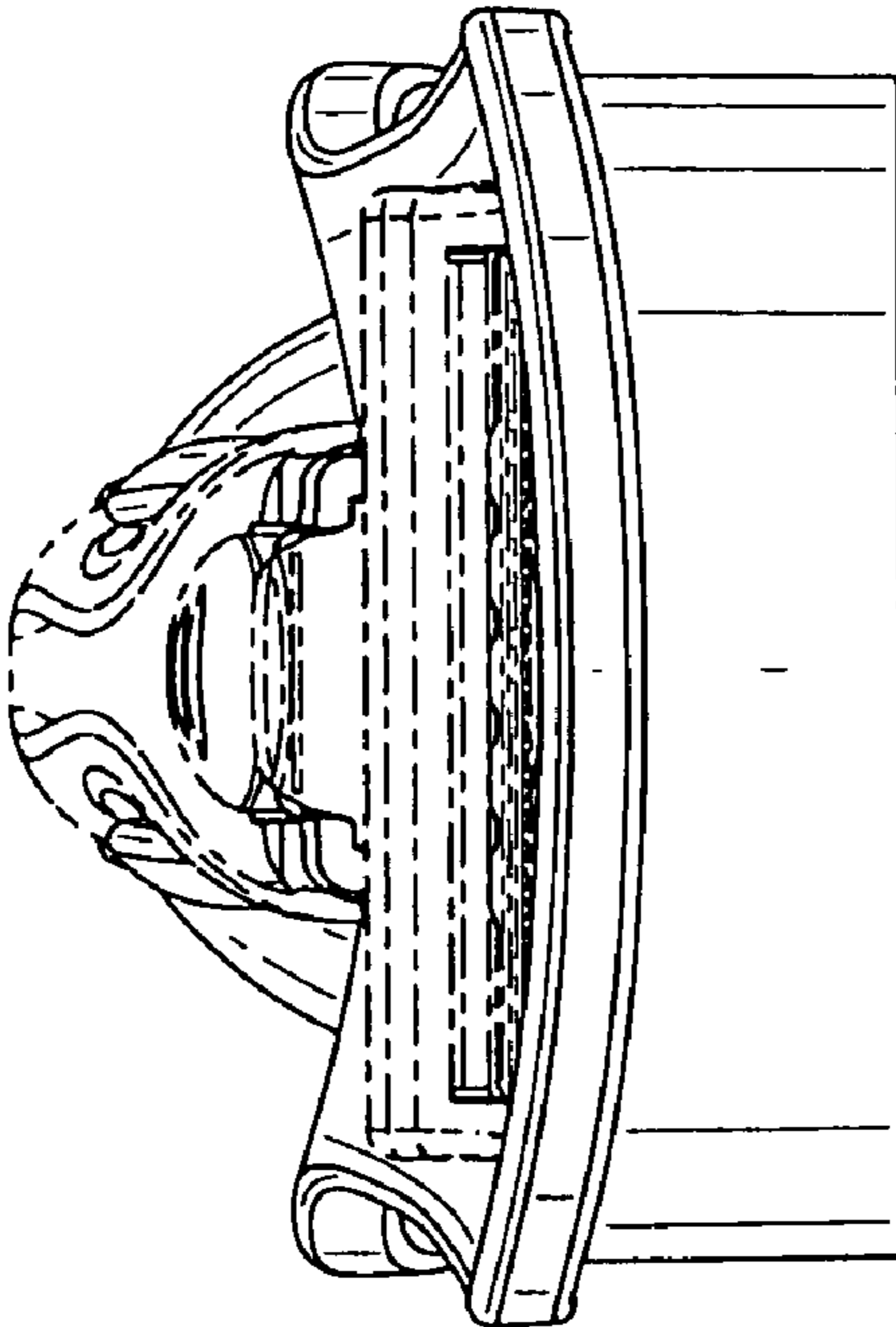


FIG. 9

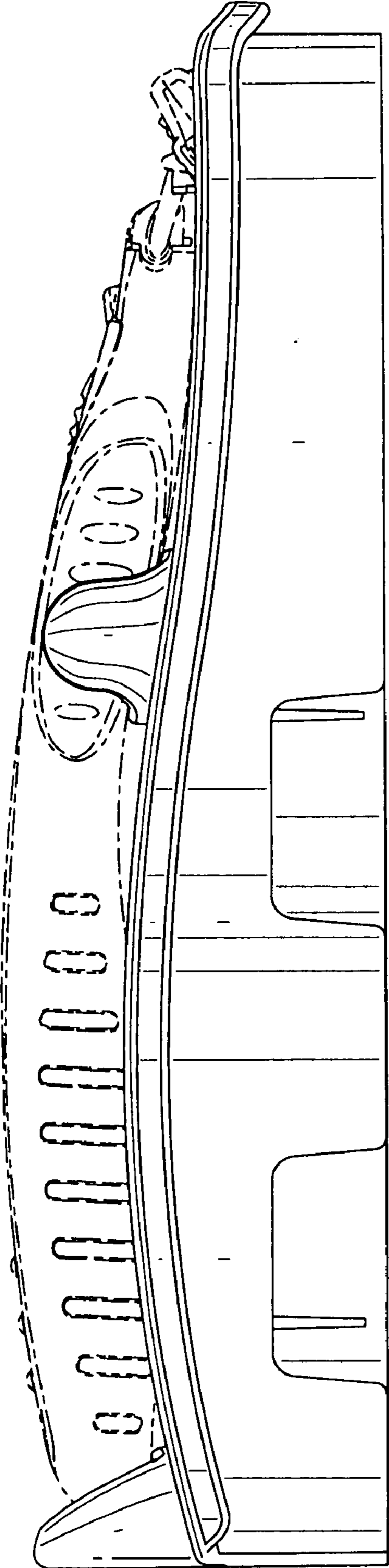


FIG. 11

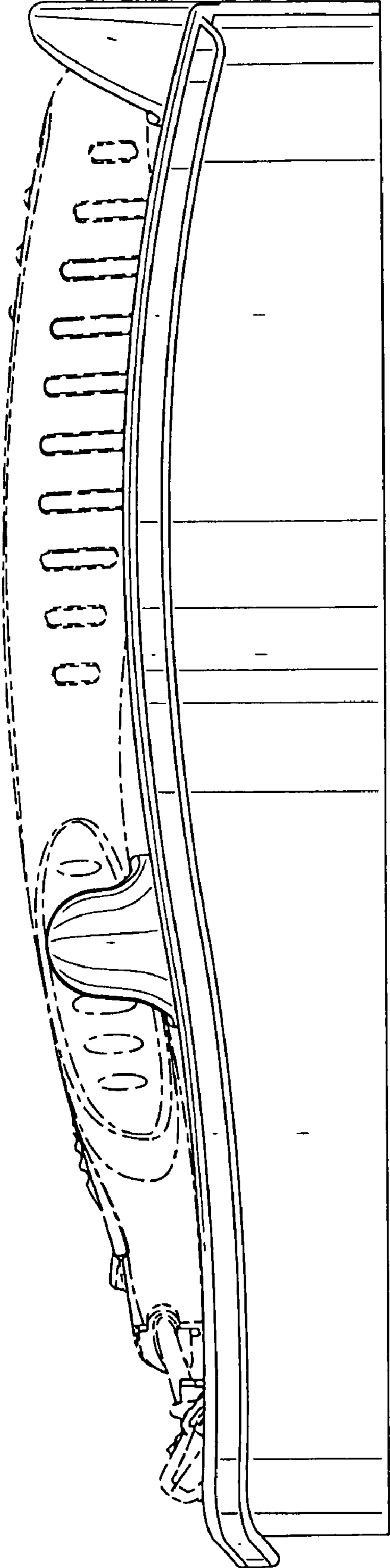


FIG. 12

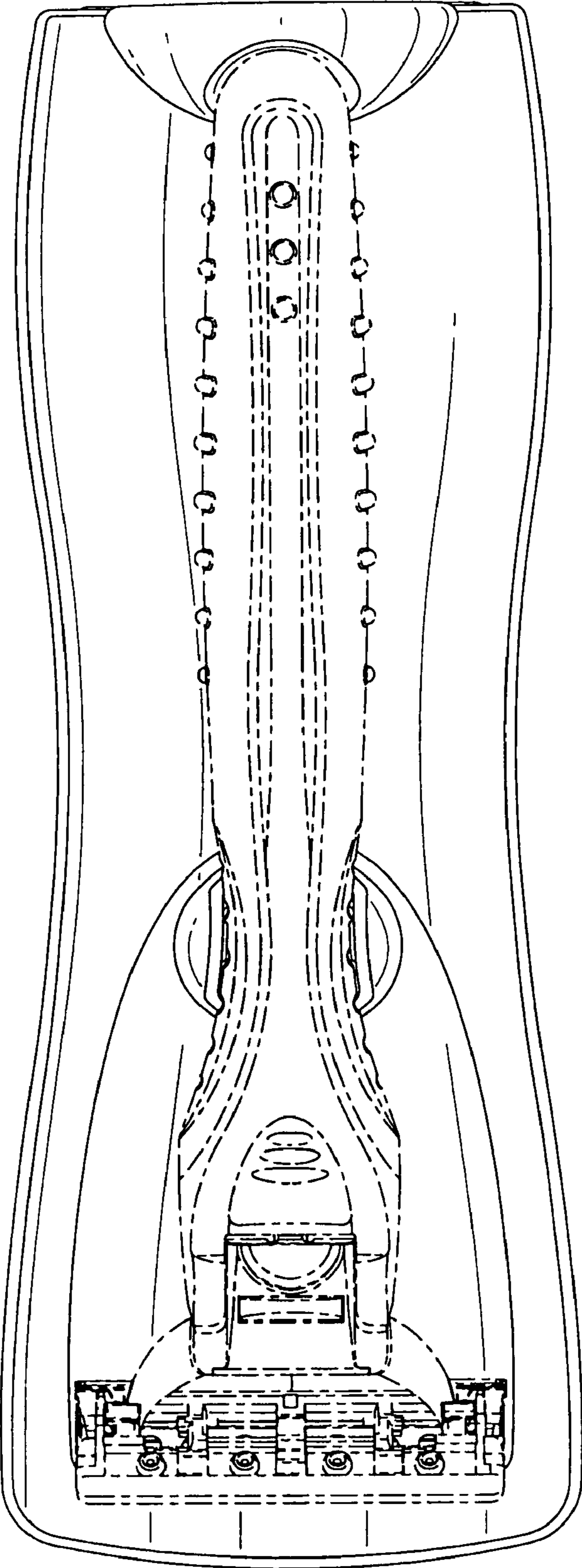


FIG. 13

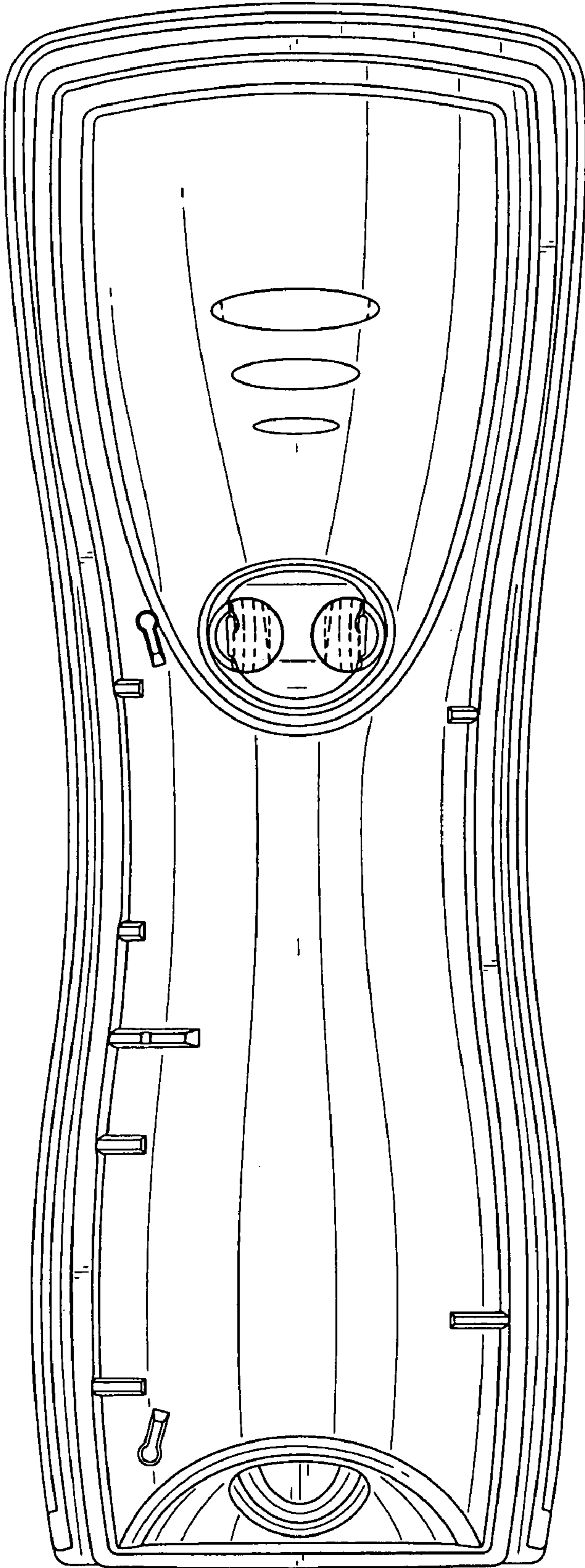


FIG. 14