



US00D572145S

(12) **United States Design Patent**
Knapp et al.

(10) **Patent No.:** **US D572,145 S**
(45) **Date of Patent:** **** Jul. 1, 2008**

(54) **FRAGRANCE BOTTLE**
(75) Inventors: **Melissa Powers Knapp**, Marblehead,
MA (US); **Scott C. Roman**, Smithtown,
NY (US)
(73) Assignee: **ELC Management LLC**, New York, NY
(US)

D414,111 S 9/1999 Herrmann
D418,061 S 12/1999 Stärker
D424,940 S 5/2000 Degnen
D431,006 S 9/2000 Kotyuk
D496,207 S 9/2004 Wang
D528,009 S * 9/2006 Hack et al. D9/635

(**) Term: **14 Years**
(21) Appl. No.: **29/283,663**
(22) Filed: **Aug. 21, 2007**

(51) **LOC (8) Cl.** **09-01**
(52) **U.S. Cl.** **D9/635; D9/548; D9/556**
(58) **Field of Classification Search** D9/600,
D9/635, 500-505, 516, 519, 544-546, 548-549,
D9/555-558; 206/457, 822; 215/400; 220/890;
D3/270; D7/514-515, 619.2, 628
See application file for complete search history.

(56) **References Cited**

U.S. PATENT DOCUMENTS

D18,685 S * 10/1888 Attenbury D9/635
D37,829 S 2/1906 Lee
D62,399 S 5/1923 Javal
D74,724 S 3/1928 Eaton
D74,725 S 3/1928 Eaton
D74,726 S 3/1928 Eaton
D74,727 S 3/1928 Eaton
D101,656 S 10/1936 Vuilleminot
D102,532 S 12/1936 Vuilleminot
D105,671 S 8/1937 Noble
D107,024 S 11/1937 Lohse
D155,930 S 11/1949 Serra
D187,244 S 2/1960 Morris
D280,294 S 8/1985 Resnick
D317,403 S 6/1991 Farsch
D326,411 S 5/1992 Wefler
D336,036 S * 6/1993 Wacker D9/635
D355,601 S 2/1995 Buettner et al.
D370,413 S 6/1996 Gobe
D405,001 S 2/1999 Caló

OTHER PUBLICATIONS

[http://www.gnpd.com/sinatra/gnpd/search_results/
&p_page_number=63&p_page_size=100&o_output
&o_format=thumbnail&o_word_limit=-1&item_id=10117239.](http://www.gnpd.com/sinatra/gnpd/search_results/&p_page_number=63&p_page_size=100&o_output&o_format=thumbnail&o_word_limit=-1&item_id=10117239)
[http://www.gnpd.com/sinatra/gnpd/search_results/
&p_page_number=59&p_page_size=100&itme_id=10127285.](http://www.gnpd.com/sinatra/gnpd/search_results/&p_page_number=59&p_page_size=100&itme_id=10127285)

(Continued)

Primary Examiner—Sandra Morris
(74) *Attorney, Agent, or Firm*—Cynthia R. Miller

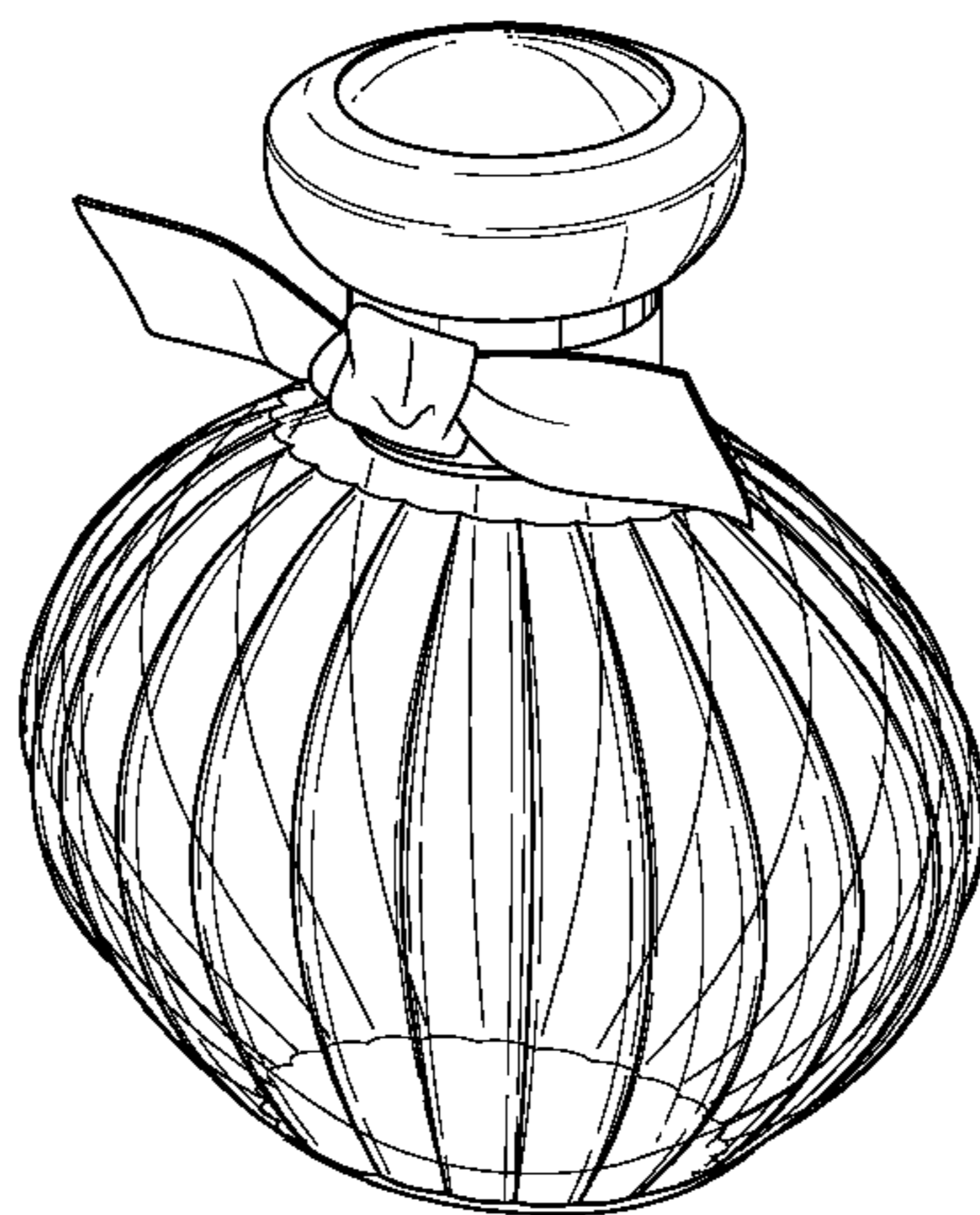
(57) **CLAIM**

The ornamental design for a fragrance bottle, substantially as shown.

DESCRIPTION

FIG. 1 is a top, front, right side perspective view of our new design for a fragrance bottle;
FIG. 2 is a front elevational view of the fragrance bottle shown in FIG. 1;
FIG. 3 is a right side elevational view of the fragrance bottle shown in FIG. 1;
FIG. 4 is a rear elevational view of the fragrance bottle shown in FIG. 1;
FIG. 5 is a left side elevational view of the fragrance bottle shown in FIG. 1;
FIG. 6 is a top plan view of the fragrance bottle shown in FIG. 1; and,
FIG. 7 is a bottom plan view of the fragrance bottle shown in FIG. 1.

1 Claim, 3 Drawing Sheets



OTHER PUBLICATIONS

[http://www.gnpd.com/sinatra/gnpd/search_results/
&p_page_number=27&p_page_size=100&o_output
&o_format=thumbnail&o_word_limit=-1
&itme_id=10216954.](http://www.gnpd.com/sinatra/gnpd/search_results/&p_page_number=27&p_page_size=100&o_output&o_format=thumbnail&o_word_limit=-1&itme_id=10216954)

[http://www.gnpd.com/sinatra/gnpd/searh_results/
&p_page_number=29&p_page_size=100&o_output
&o_format=thumbnail&o_word_limit=-1
&item_id=340211.](http://www.gnpd.com/sinatra/gnpd/searh_results/&p_page_number=29&p_page_size=100&o_output&o_format=thumbnail&o_word_limit=-1&item_id=340211)

[http://www.neimanmarcus.com/store/catalog/template/
catB18.jhtml?itemId=cat000444&parentId=cat1307...](http://www.neimanmarcus.com/store/catalog/template/catB18.jhtml?itemId=cat000444&parentId=cat1307...) May
23, 2007.

[http://www.amazon.com/Tocca-Eau-De-Parfum-Stella/dp/
B000M2GVT0/ref=pd_bbs_sr_1/102-0749422-3...](http://www.amazon.com/Tocca-Eau-De-Parfum-Stella/dp/B000M2GVT0/ref=pd_bbs_sr_1/102-0749422-3...) May
30, 2007.

* cited by examiner

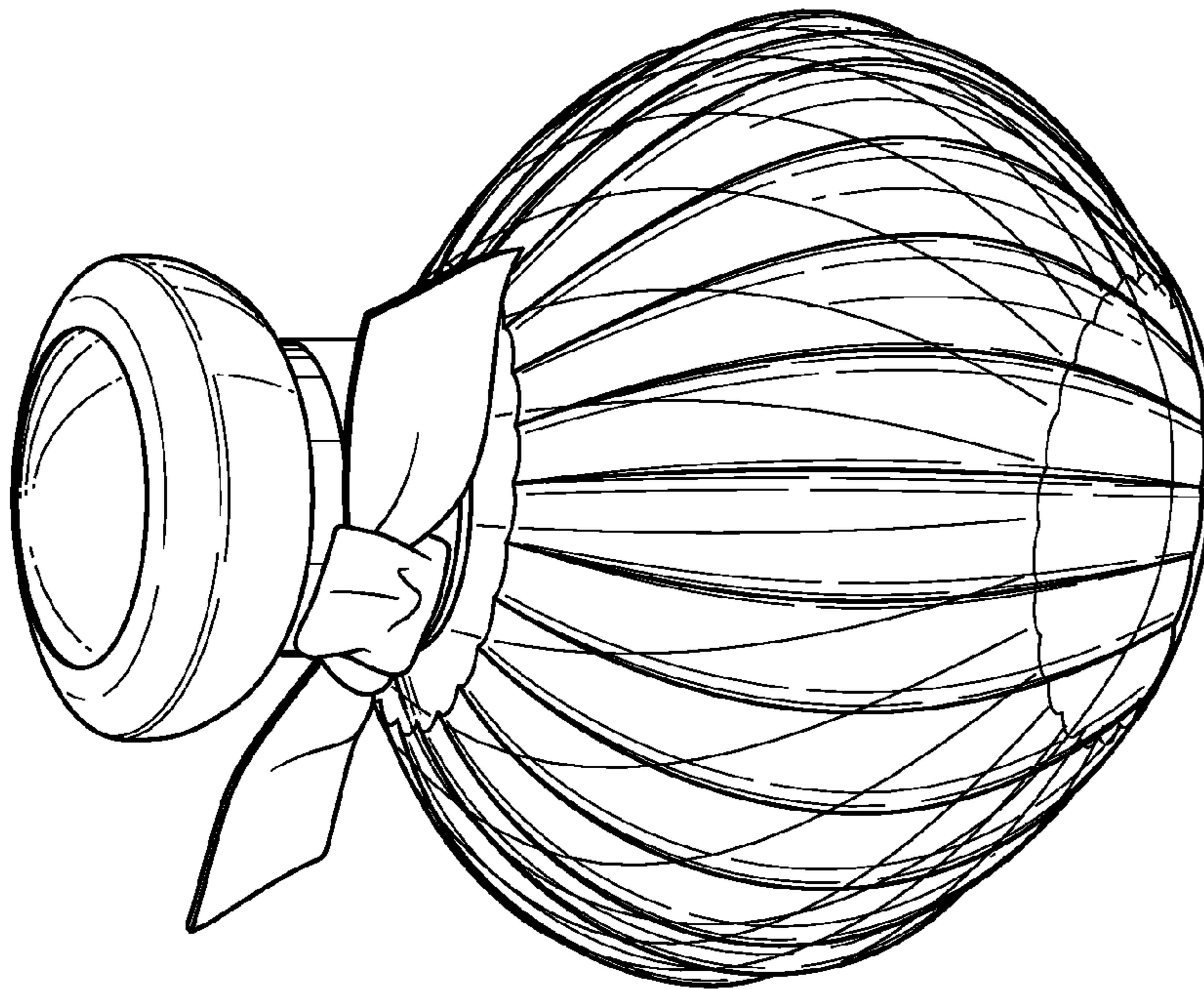


FIG. 1

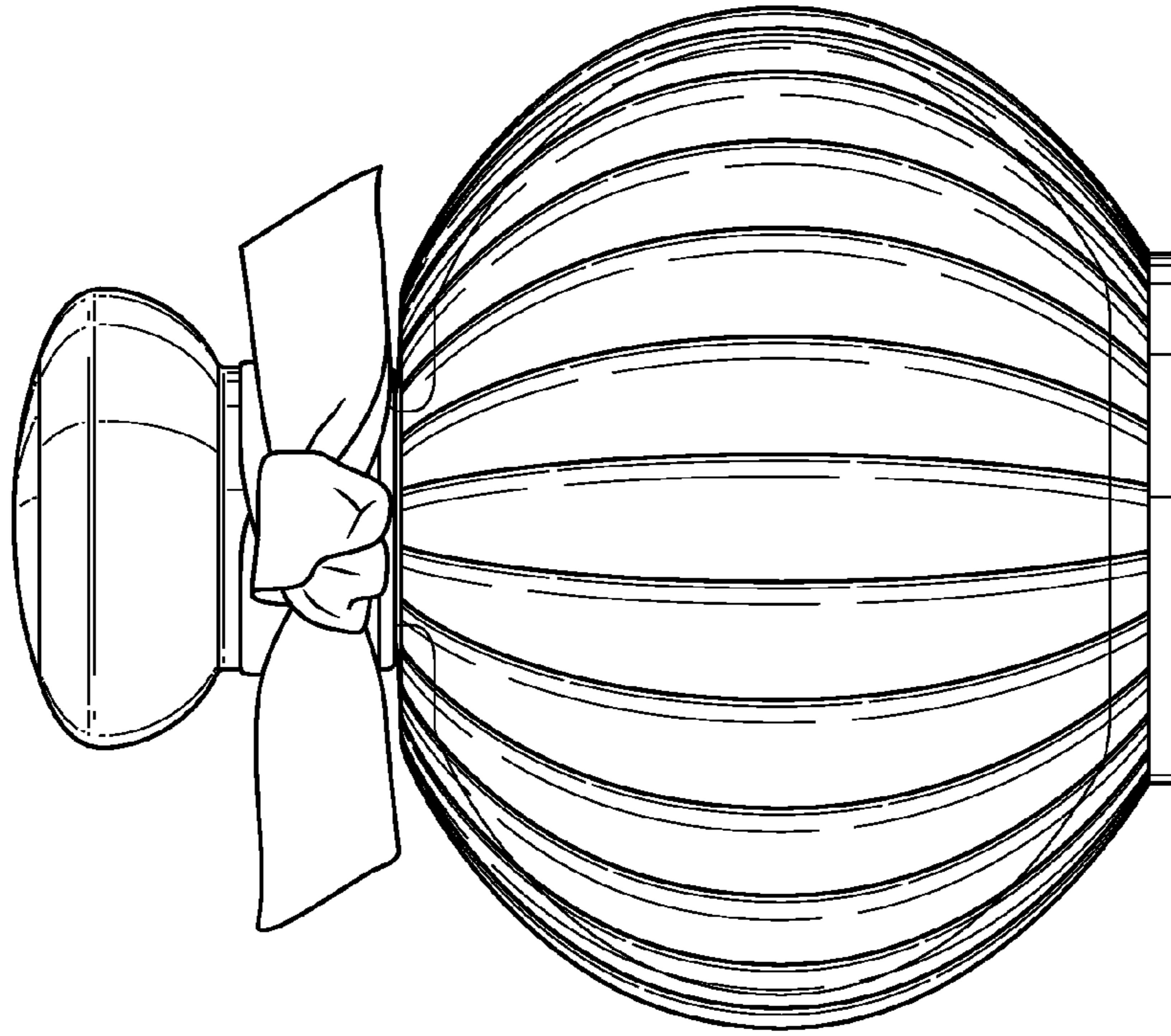


FIG. 2

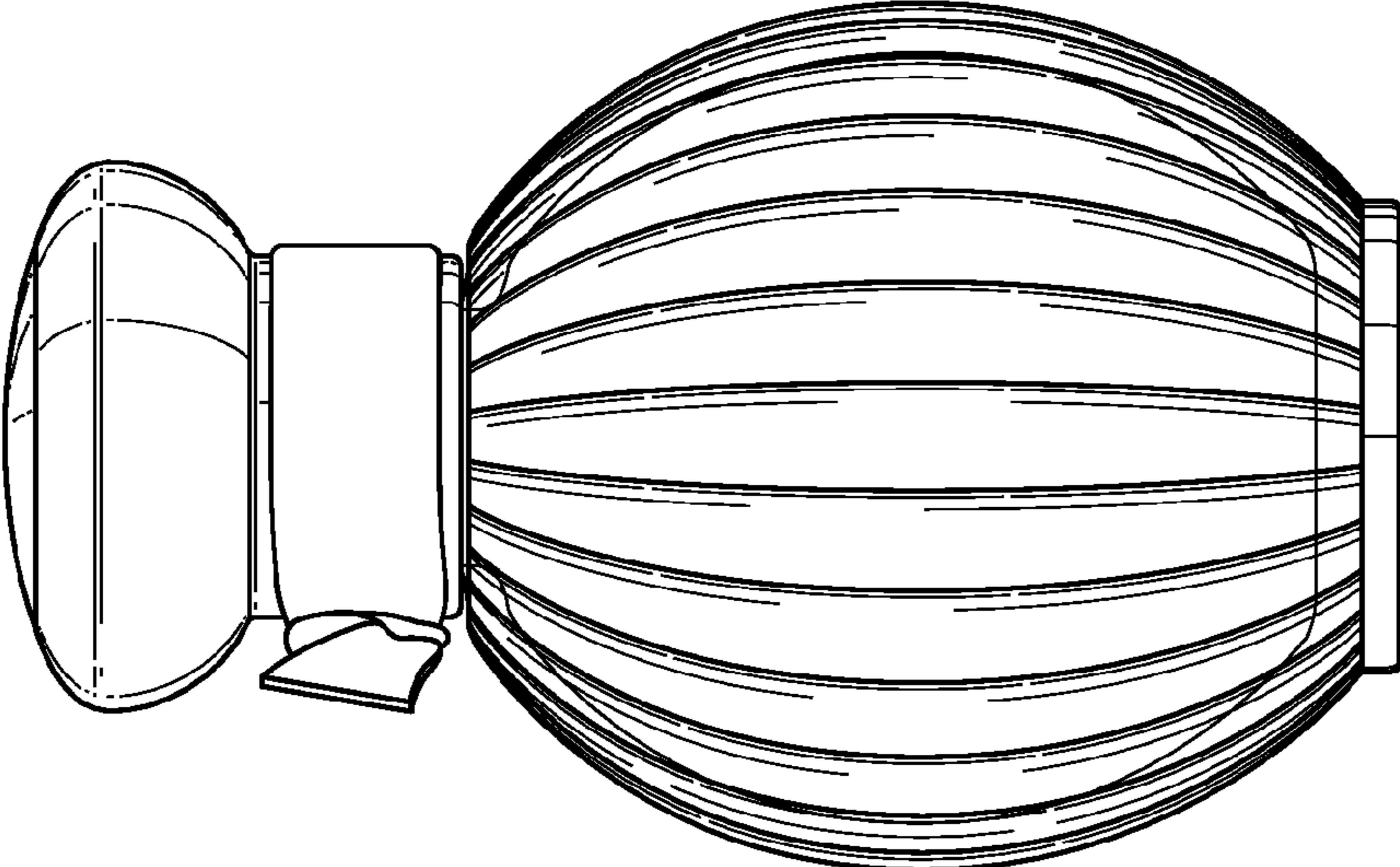


FIG. 3

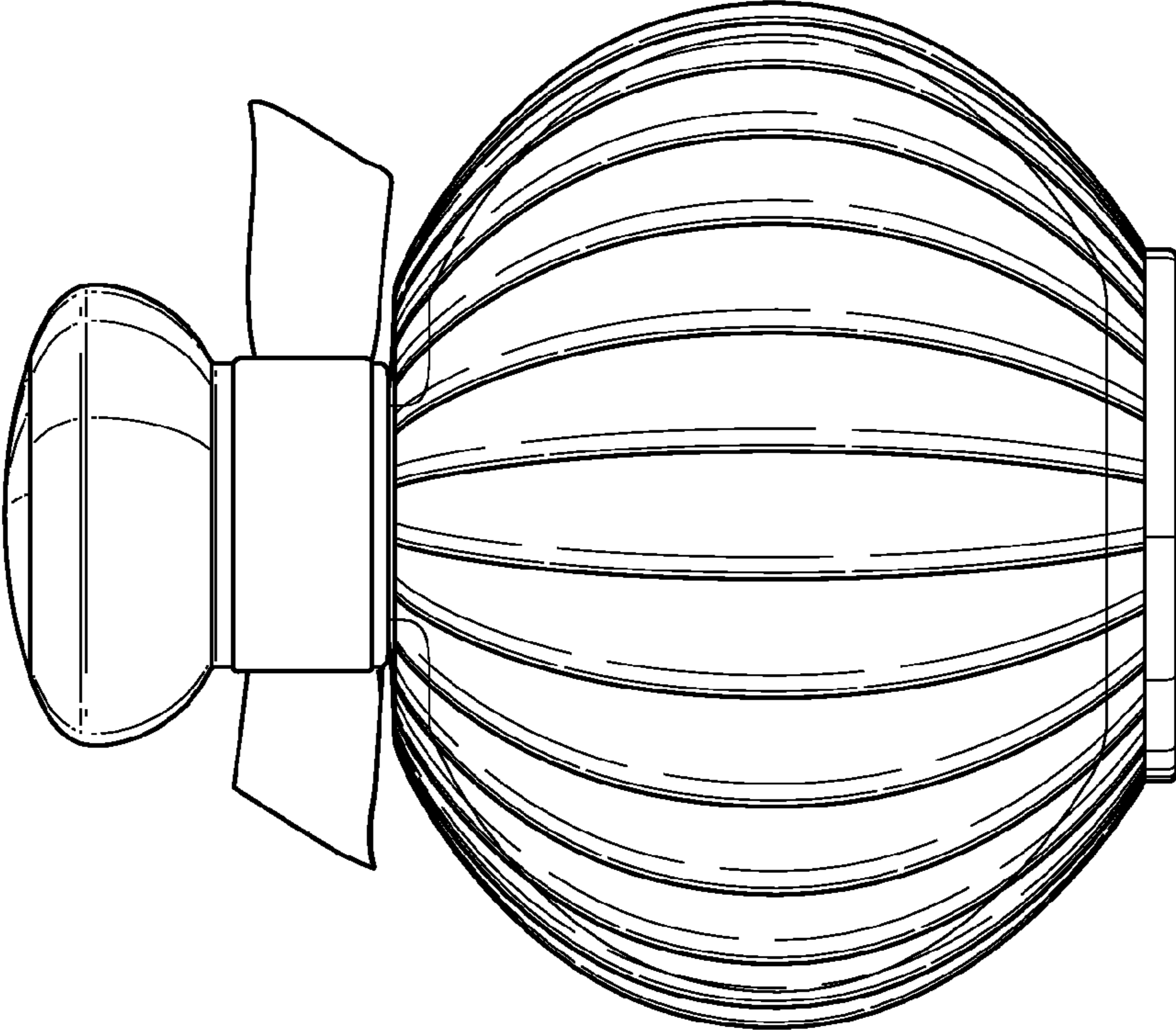


FIG. 4

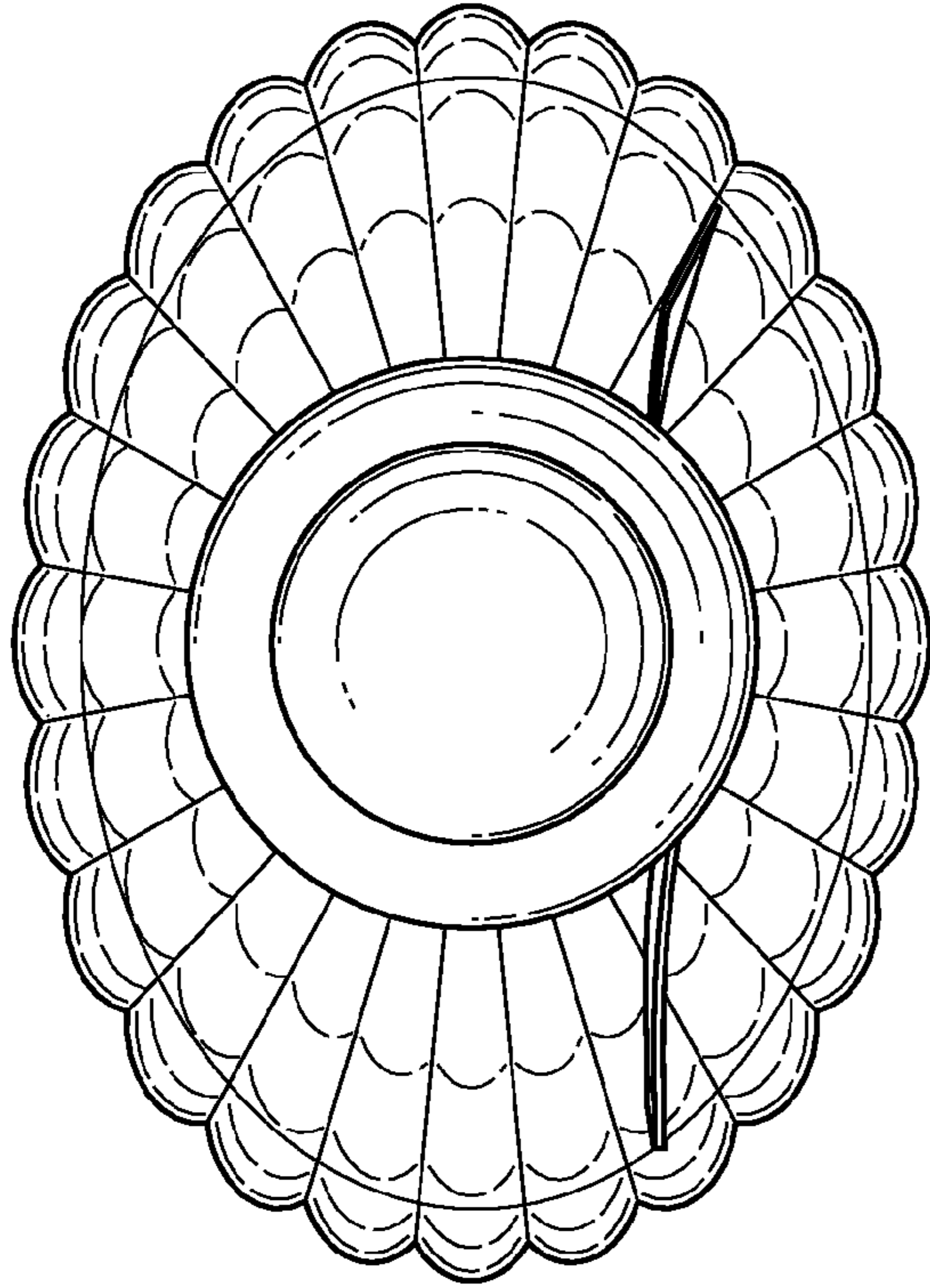


FIG. 6

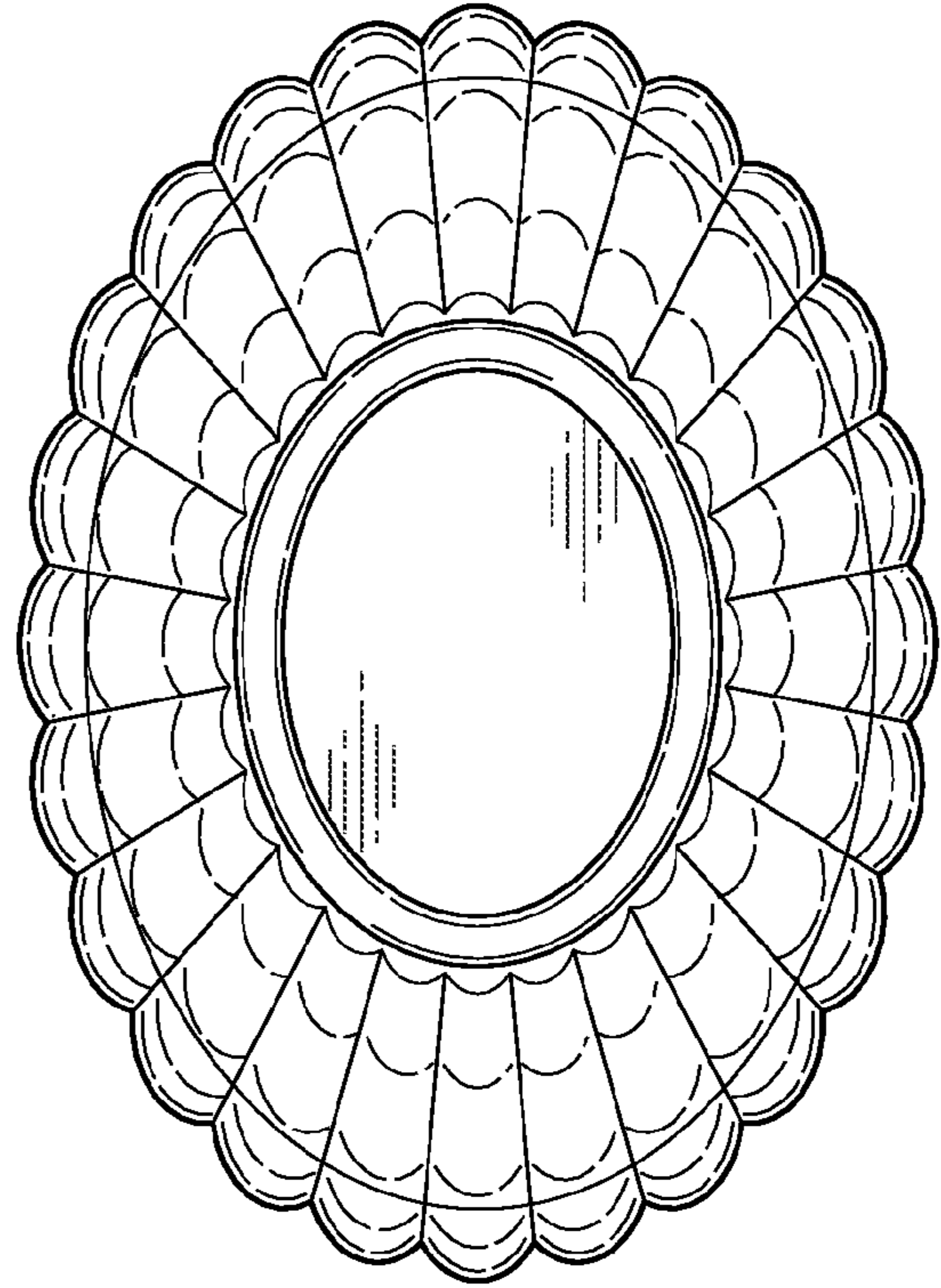


FIG. 7

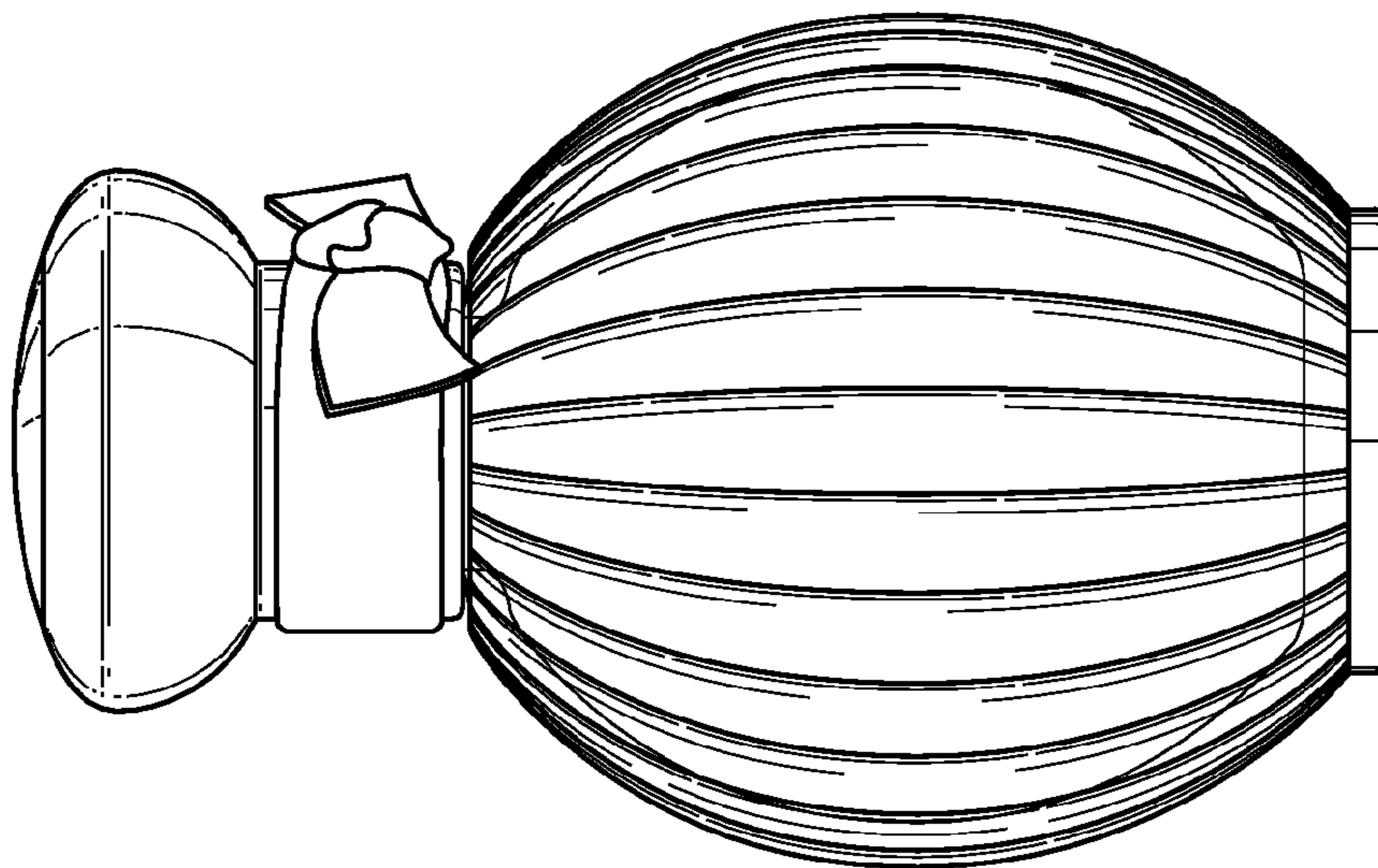


FIG. 5