



US00D572139S

(12) **United States Design Patent**  
**Trollope et al.**

(10) **Patent No.:** **US D572,139 S**  
(45) **Date of Patent:** **\*\* Jul. 1, 2008**

- (54) **BOTTLE**
- (75) Inventors: **James D. Trollope**, Frisco, TX (US);  
**Blair C. Dugger**, Frisco, TX (US);  
**Kendall L. Yorn**, Allen, TX (US); **Alan Flude**, London (GB)
- (73) Assignee: **Dr Pepper/Seven Up, Inc.**, Plano, TX (US)
- (\*\*) Term: **14 Years**
- (21) Appl. No.: **29/295,175**
- (22) Filed: **Sep. 21, 2007**

- D358,547 S 5/1995 Darr
- 5,593,056 A 1/1997 Mero et al.
- D379,153 S 5/1997 Richardson
- D379,154 S 5/1997 Cox
- D381,272 S 7/1997 Coons
- D383,677 S 9/1997 Darr
- D385,796 S 11/1997 Richardson
- D386,088 S 11/1997 Satoh
- D387,284 S 12/1997 Briggs et al.
- D393,207 S 4/1998 Farlander et al.
- 5,735,421 A 4/1998 Deemer et al.
- 5,785,197 A 7/1998 Slat
- D398,855 S 9/1998 Ito
- D399,424 S 10/1998 Young
- D401,860 S 12/1998 Mentasti Granelli
- D404,310 S 1/1999 Martin
- D406,065 S 2/1999 Cheng
- 5,906,286 A 5/1999 Matsuno et al.

**Related U.S. Application Data**

- (63) Continuation of application No. 29/249,392, filed on Oct. 4, 2006, now abandoned.

(Continued)

- (51) **LOC (8) Cl.** ..... **09-01**
- (52) **U.S. Cl.** ..... **D9/516; D9/552**
- (58) **Field of Classification Search** ..... D9/682,  
D9/686, 688-693, 772-776, 516, 520, 537-540,  
D9/545-547, 549, 550-554, 556-558, 565-567,  
D9/569; 215/382-384, 396, 398; 220/669,  
220/674-675

*Primary Examiner*—Carol Rademaker  
(74) *Attorney, Agent, or Firm*—Cox Smith Matthews Incorporated

See application file for complete search history.

(57) **CLAIM**

The ornamental design for a bottle, as shown and described.

(56) **References Cited**

**DESCRIPTION**

**U.S. PATENT DOCUMENTS**

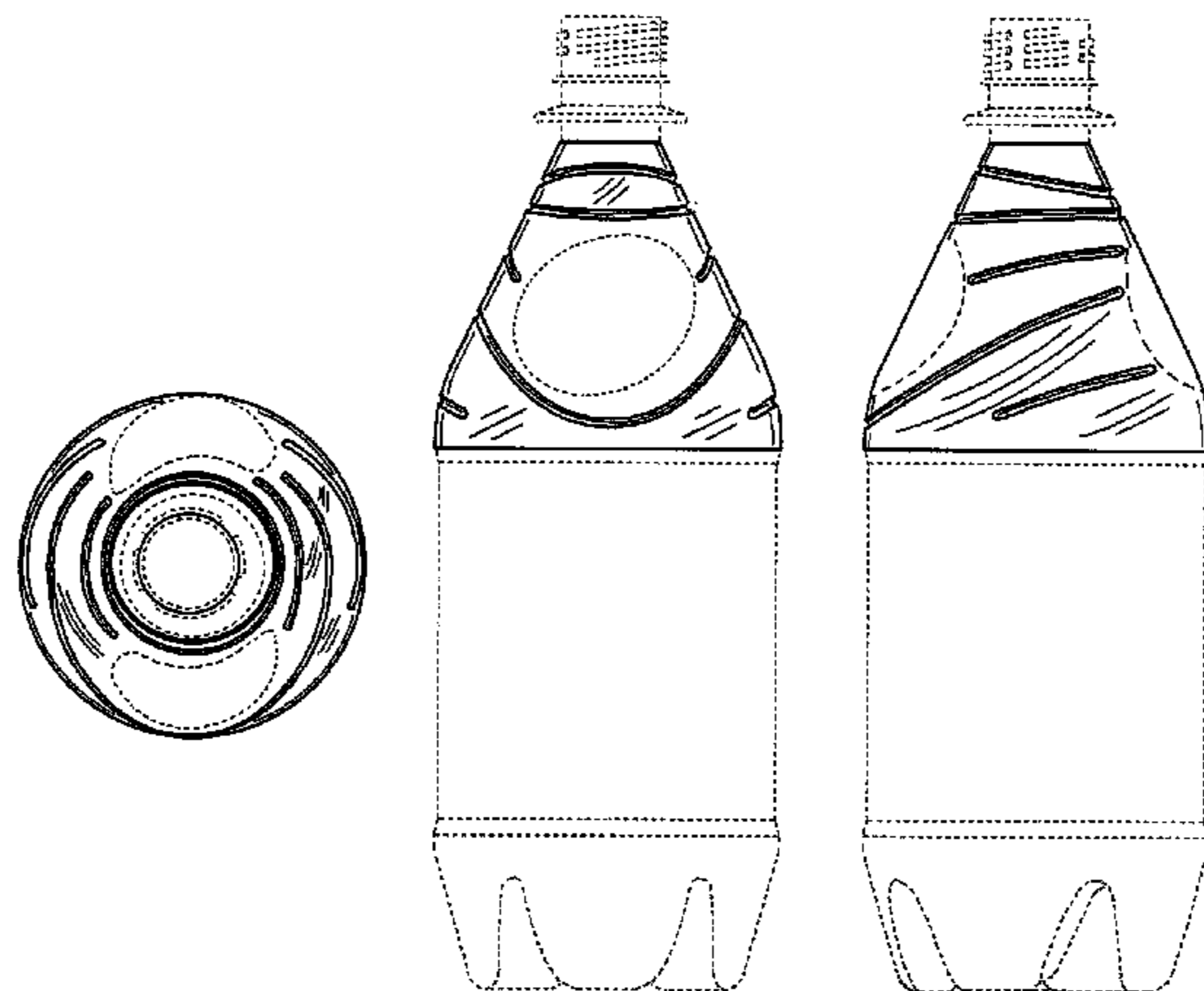
- D87,726 S \* 9/1932 Miller ..... D9/551
- D101,483 S 10/1936 Mott
- D115,155 S 6/1939 D'Addario
- D217,230 S 4/1970 Kissig
- D218,019 S 7/1970 Lattraye
- D305,984 S 2/1990 Alberghini et al.
- D308,484 S 6/1990 Browton
- D318,799 S 8/1991 York
- D329,170 S 9/1992 Hoffer
- 5,320,230 A 6/1994 Hsiung
- D354,000 S 1/1995 Hoyt
- 5,398,828 A 3/1995 Valyi
- D357,189 S 4/1995 Daucourt

FIG. 1 is a top plan view of a bottle showing our new design;  
FIG. 2 is a front elevational view thereof;  
FIG. 3 is a right side elevational view thereof;  
FIG. 4 is a rear elevational view thereof;  
FIG. 5 is a left side elevational view thereof; and,  
FIG. 6 is a bottom plan view thereof.

The broken lines showing environment are for illustrative purposes only and form no part of the claimed design.

The curving, oblique shade lines shown in the drawings represent a transparent surface.

**1 Claim, 2 Drawing Sheets**



# US D572,139 S

Page 2

## U.S. PATENT DOCUMENTS

5,927,533	A	7/1999	Payne et al.	D462,013	S	8/2002	Iizuka et al.
D412,441	S	8/1999	Cheng et al.	D466,023	S	11/2002	Eickmeier
D412,845	S	8/1999	Miller et al.	D466,415	S	12/2002	Reis
D413,068	S	8/1999	Thouin et al.	D468,208	S	1/2003	Yan et al.
D415,681	S	10/1999	Yourist	D474,977	S	5/2003	Yourist et al.
D417,156	S *	11/1999	Veysiere ..... D9/552	D487,564	S	3/2004	Beck et al.
5,988,417	A	11/1999	Cheng et al.	D492,201	S	6/2004	Pritchett et al.
D420,594	S	2/2000	Weinstein et al.	6,763,969	B1	7/2004	Melrose et al.
D423,939	S	5/2000	Ogg	D496,280	S	9/2004	Mero et al.
D425,431	S	5/2000	Omidian	D497,312	S	10/2004	Anderson et al.
6,062,409	A	5/2000	Eberle	6,827,228	B2	12/2004	Headen et al.
D426,460	S	6/2000	Krishnakumar et al.	D501,400	S	2/2005	Bretz et al.
D427,071	S	6/2000	Williams et al.	D503,341	S	3/2005	Delmotte
D427,518	S *	7/2000	Steward ..... D9/538	D506,931	S	7/2005	Delmotte
D429,166	S	8/2000	Ogg	D507,746	S	7/2005	Sasaki et al.
D430,036	S	8/2000	Steward et al.	D509,436	S	9/2005	Mero et al.
D431,780	S	10/2000	DeSwarte et al.	D509,740	S	9/2005	Collins et al.
D432,018	S	10/2000	Steward	D509,741	S	9/2005	Collins et al.
D432,019	S	10/2000	Steward	D509,746	S	9/2005	Mero et al.
D432,020	S	10/2000	Steward et al.	D510,025	S	9/2005	Venkataraman et al.
D433,322	S	11/2000	Krishnakumar et al.	D510,271	S	10/2005	Mero et al.
6,149,024	A	11/2000	Deemer et al.	D515,933	S	2/2006	Mero et al.
D435,219	S	12/2000	Williams et al.	D526,903	S	8/2006	Duranthon
D443,519	S	6/2001	Warner et al.	D556,044	S *	11/2007	Hirata ..... D9/538
D443,826	S	6/2001	Gnann et al.	D556,581	S *	12/2007	Yamada ..... D9/520
D447,061	S	8/2001	Peek	D558,582	S *	1/2008	Venkataraman et al. .... D9/550
D449,538	S	10/2001	Burleson et al.	D559,699	S *	1/2008	Dellevigne ..... D9/552 X
D450,250	S	11/2001	Burleson et al.	D560,500	S *	1/2008	Venkataraman et al. .... D9/538
6,347,717	B1	2/2002	Eberle	D561,597	S *	2/2008	Venkataraman et al. .... D9/550
D455,964	S	4/2002	Patterson	D561,598	S *	2/2008	Dellevigne ..... D9/550
D457,056	S	5/2002	Ranchetti	D564,896	S *	3/2008	Trollope et al. .... D9/516 X
D458,543	S	6/2002	Burleson et al.	D564,897	S *	3/2008	Trollope et al. .... D9/552 X
D458,849	S	6/2002	Burleson et al.	D565,961	S *	4/2008	Dellevigne ..... D9/552 X
6,398,052	B1	6/2002	Cheng et al.	2006/0283832	A1	12/2006	De Cleir et al.

\* cited by examiner

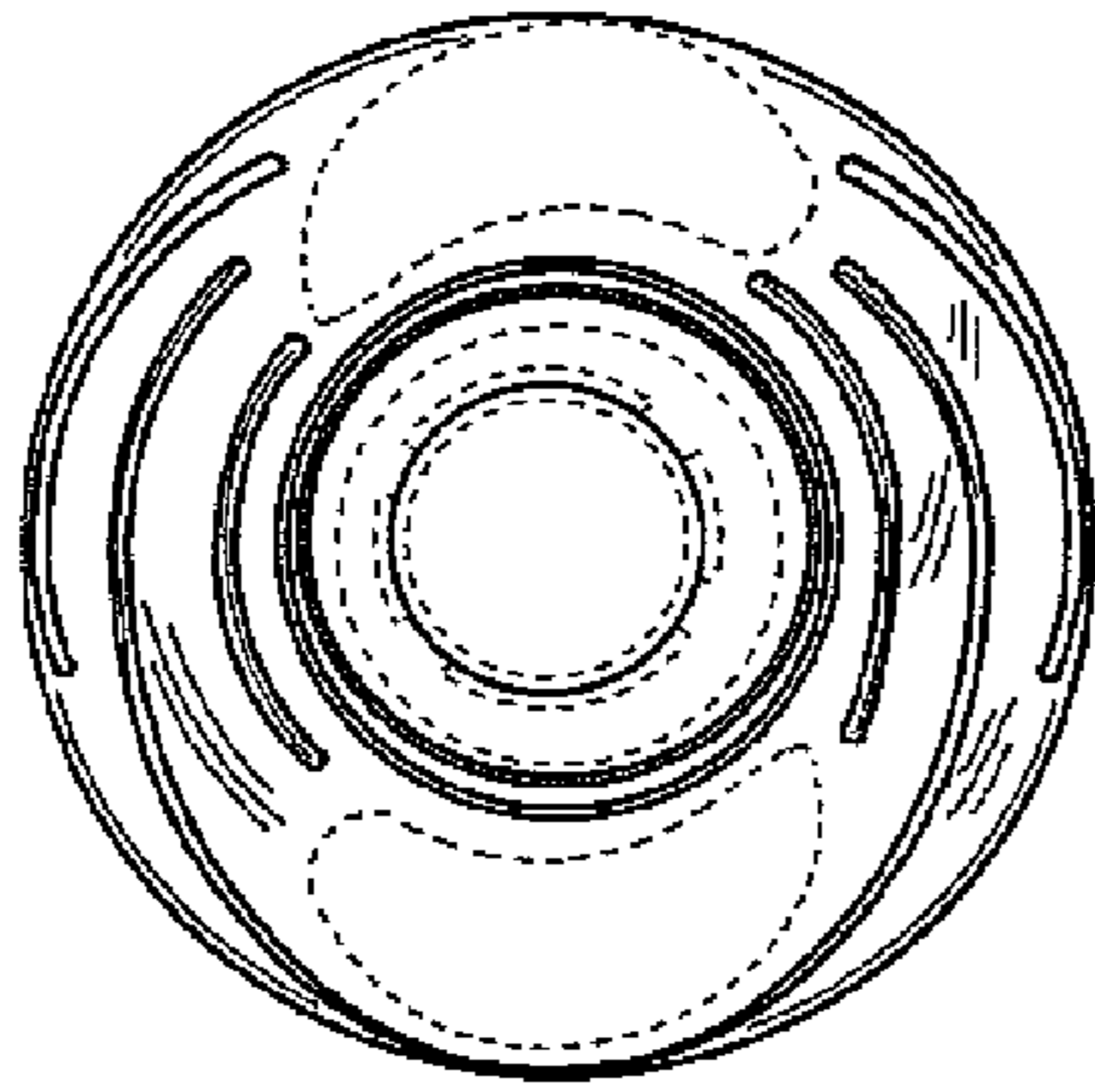


Fig. 1

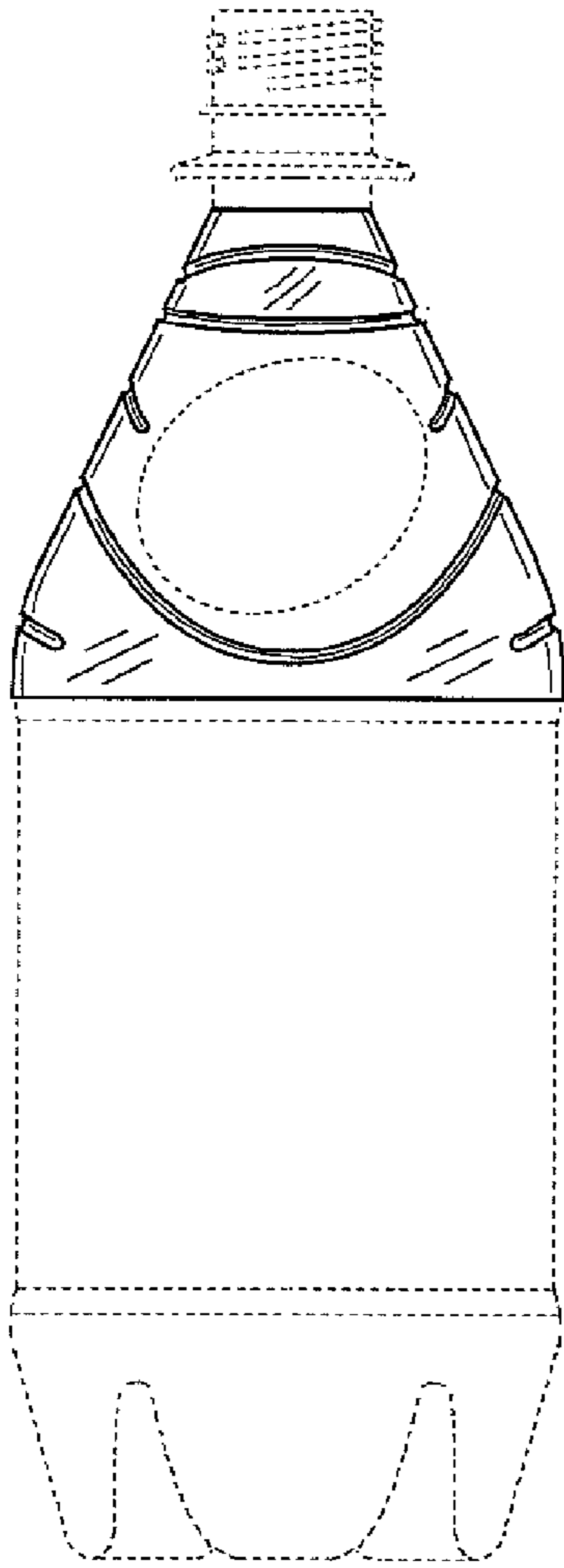


Fig. 2

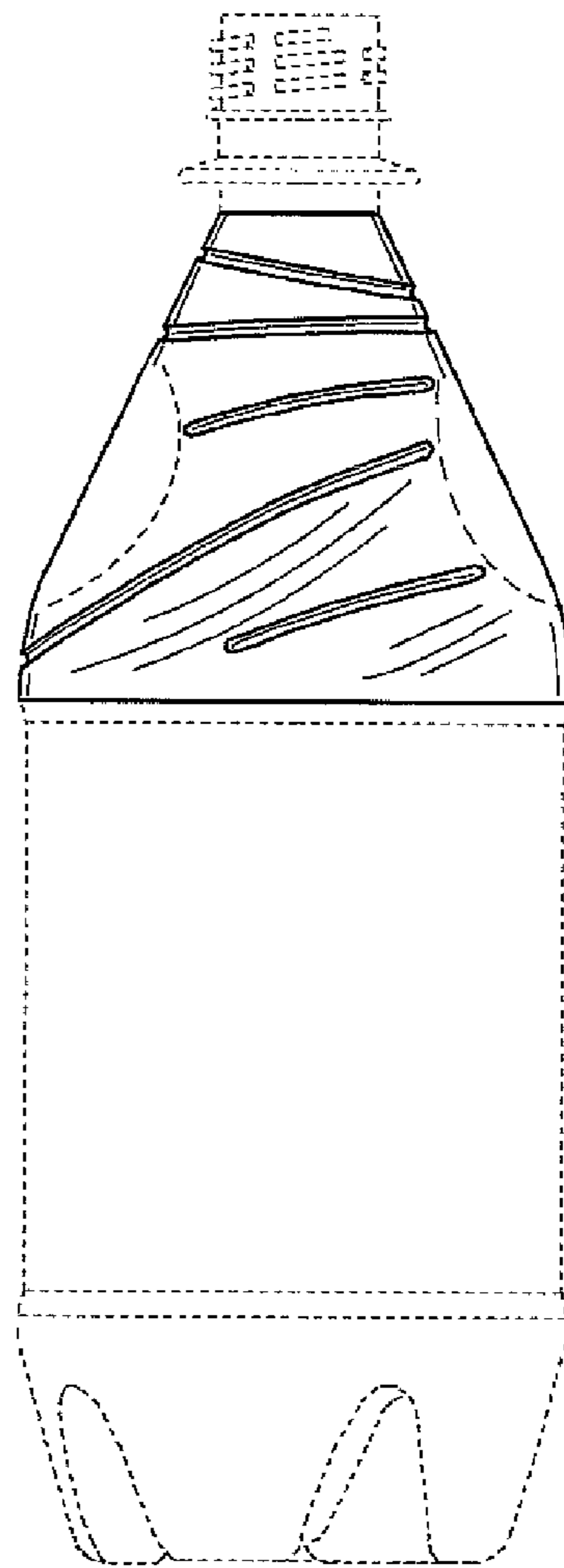


Fig. 3

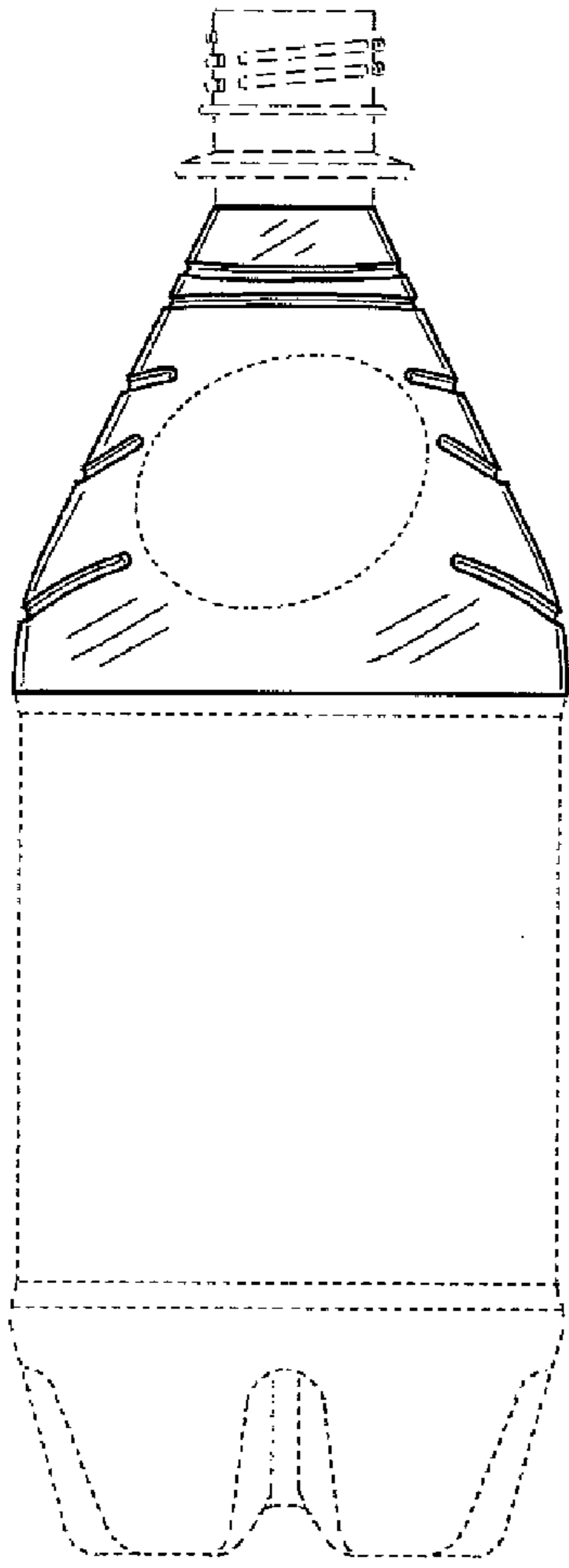


Fig. 4

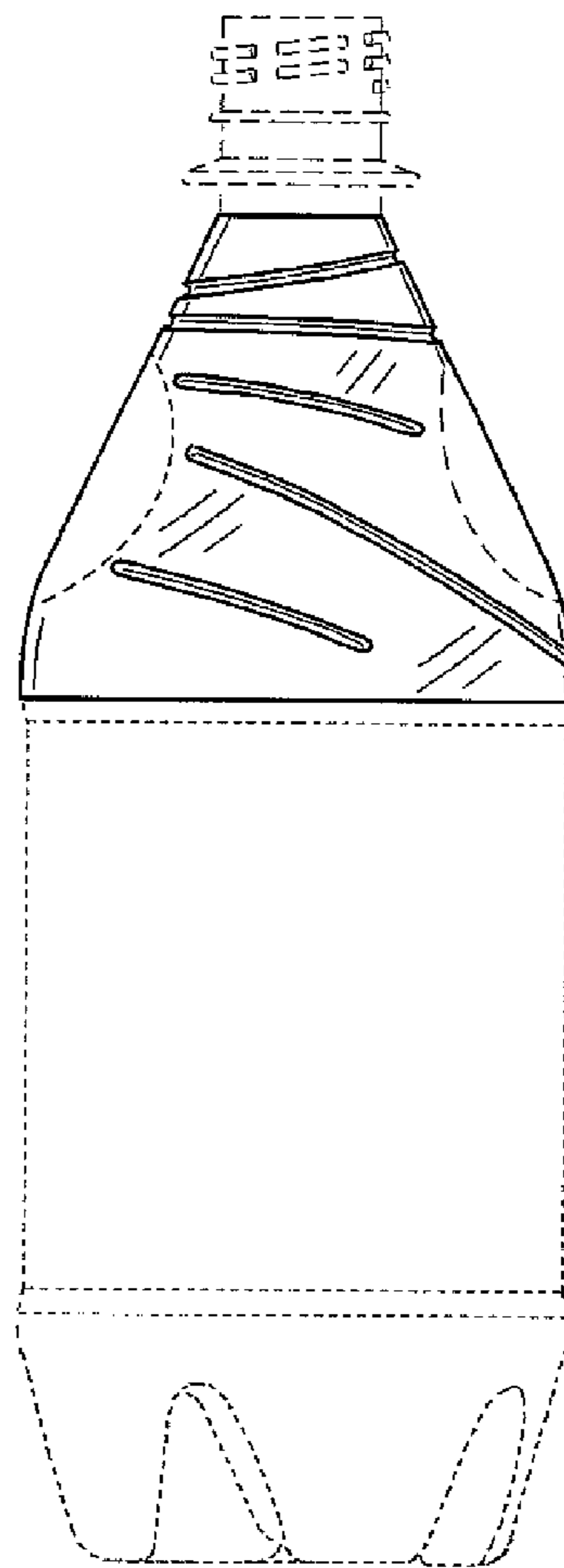


Fig. 5

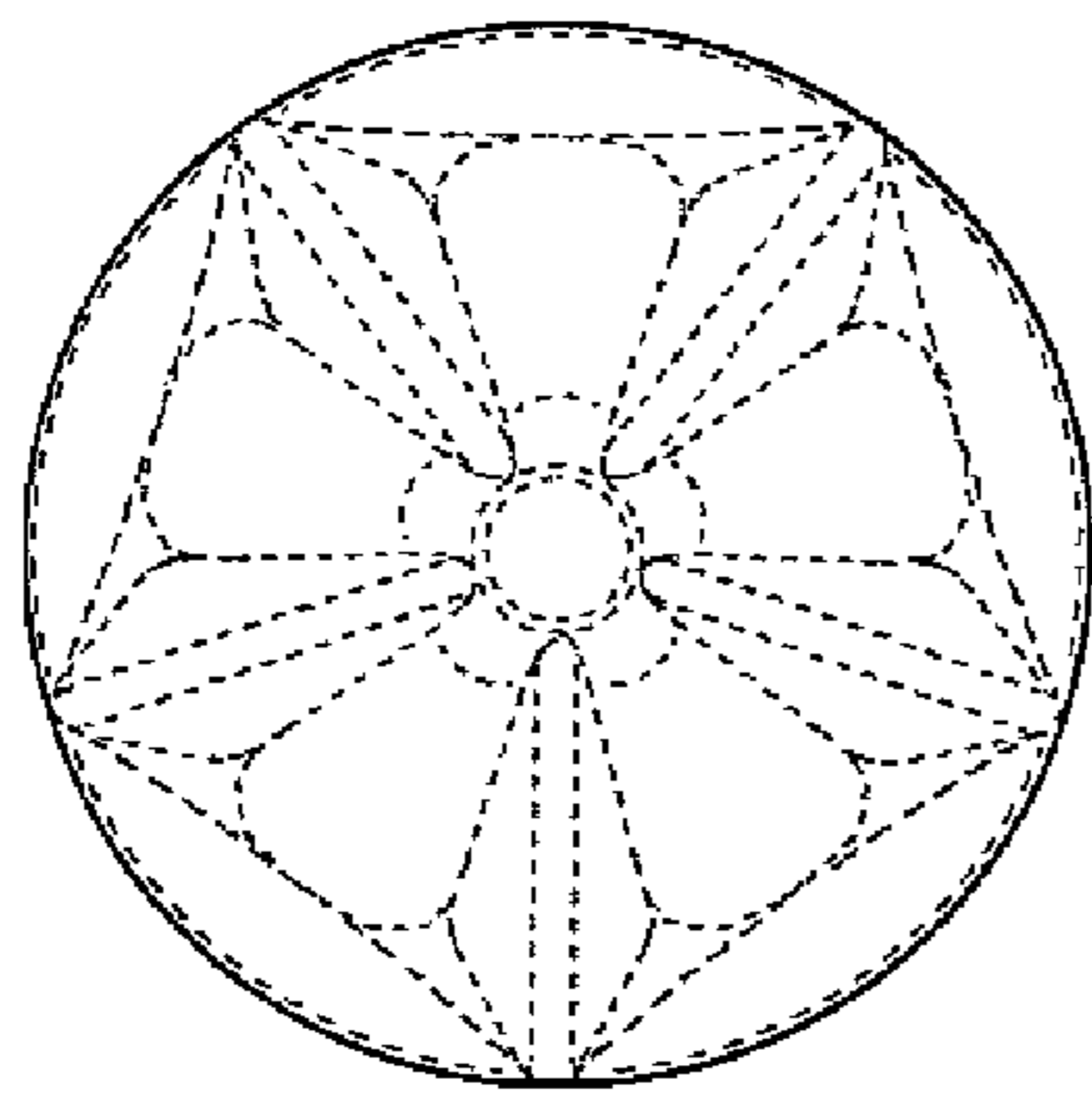


Fig. 6