



US00D572123S

(12) **United States Design Patent**
Huang

(10) **Patent No.:** **US D572,123 S**
(45) **Date of Patent:** **** Jul. 1, 2008**

(54) **LEG PAD**

(76) Inventor: **Steve Huang**, 3F, No. 50 Lane 1, Da Han Street, Shen Gang Hsiang, Taichung Hsien (TW)

(**) Term: **14 Years**

(21) Appl. No.: **29/284,730**

(22) Filed: **Sep. 14, 2007**

(51) **LOC (8) Cl.** **08-05**

(52) **U.S. Cl.** **D8/374**

(58) **Field of Classification Search** D8/374;
248/188.8-188.9, 346.01; 16/42 R
See application file for complete search history.

(56) **References Cited**

U.S. PATENT DOCUMENTS

- 2,103,095 A * 12/1937 Schermerhorn 248/188.9
- D153,900 S * 5/1949 Regan D25/68
- 3,266,255 A * 8/1966 Dougherty 405/251
- 5,816,554 A * 10/1998 McCracken 248/346.01

- 5,826,847 A * 10/1998 Warner et al. 248/354.1
- 6,336,620 B1 * 1/2002 Belli 248/519
- D470,038 S * 2/2003 Lapp et al. D8/374
- 6,588,717 B2 * 7/2003 Carnahan et al. 248/188.8
- D497,307 S * 10/2004 Heisey D8/374

* cited by examiner

Primary Examiner—Holly H Baynham

(74) *Attorney, Agent, or Firm*—Alan Kamrath; Kamrath & Associates PA

(57) **CLAIM**

The ornamental design for leg pad, as shown and described.

DESCRIPTION

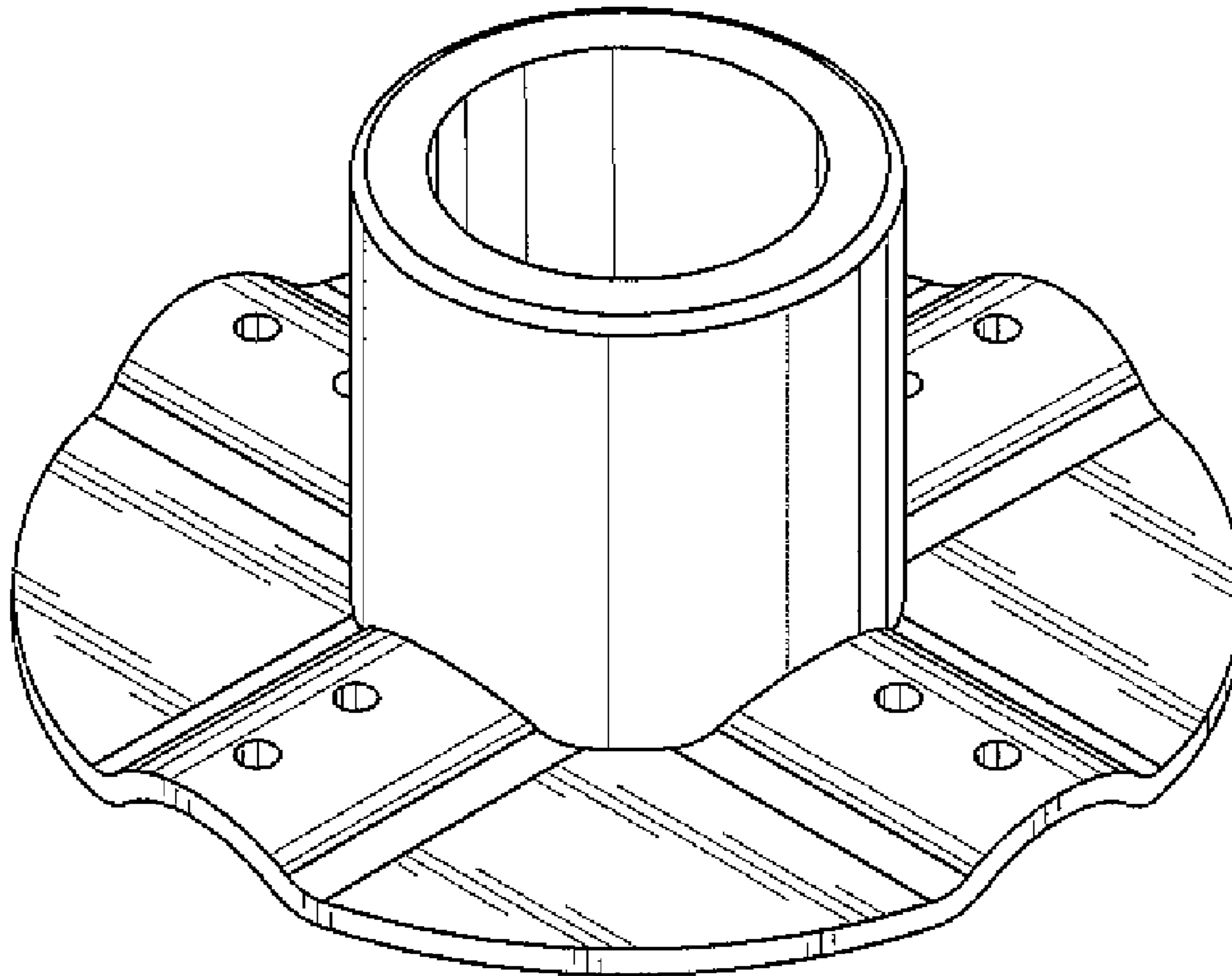
FIG. 1 is a perspective view of a leg pad showing my new design;

FIG. 2 is a front view, rear view, left view or right view thereof;

FIG. 3 is a top view thereof; and,

FIG. 4 is a bottom view thereof.

1 Claim, 2 Drawing Sheets



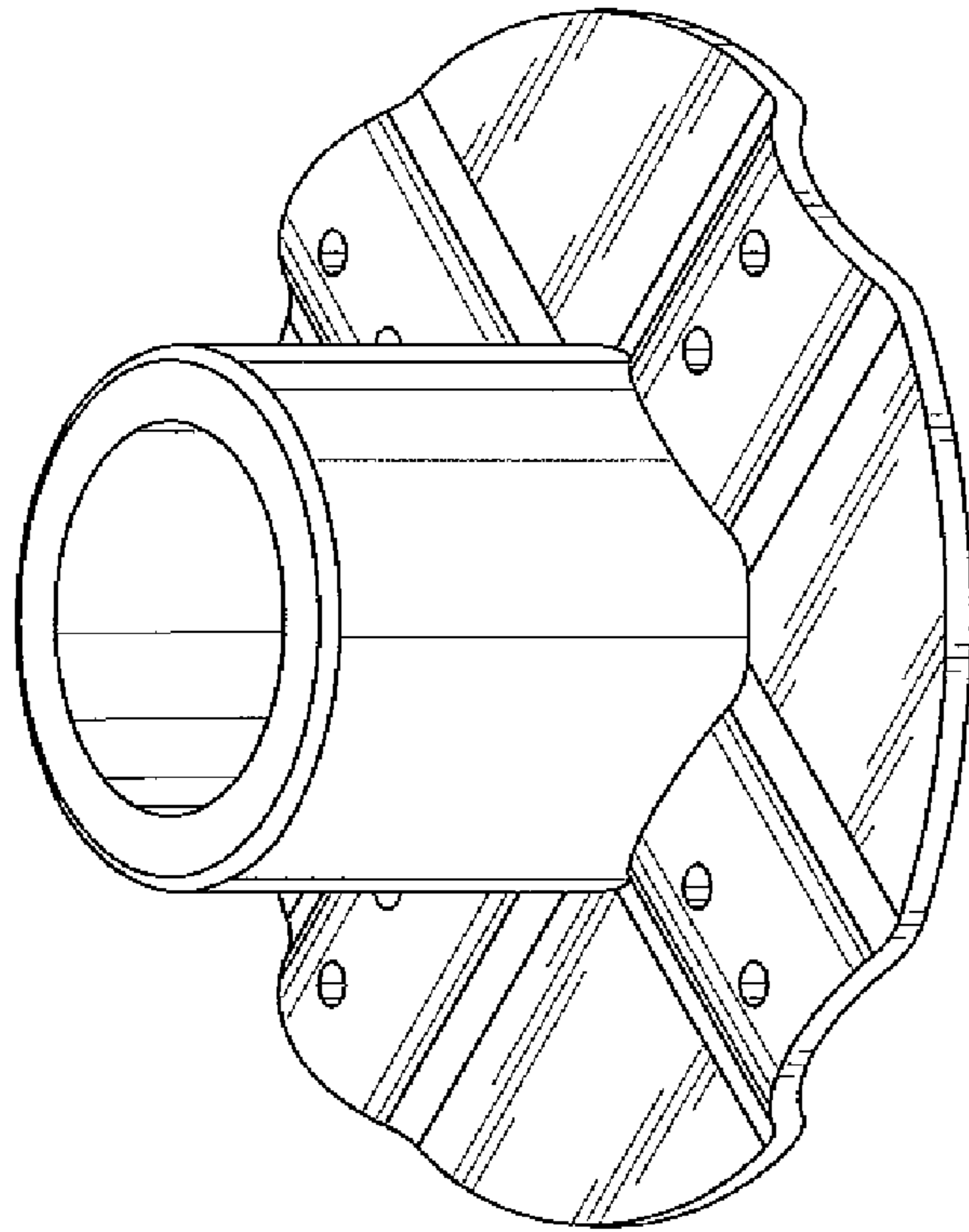


Fig. 1

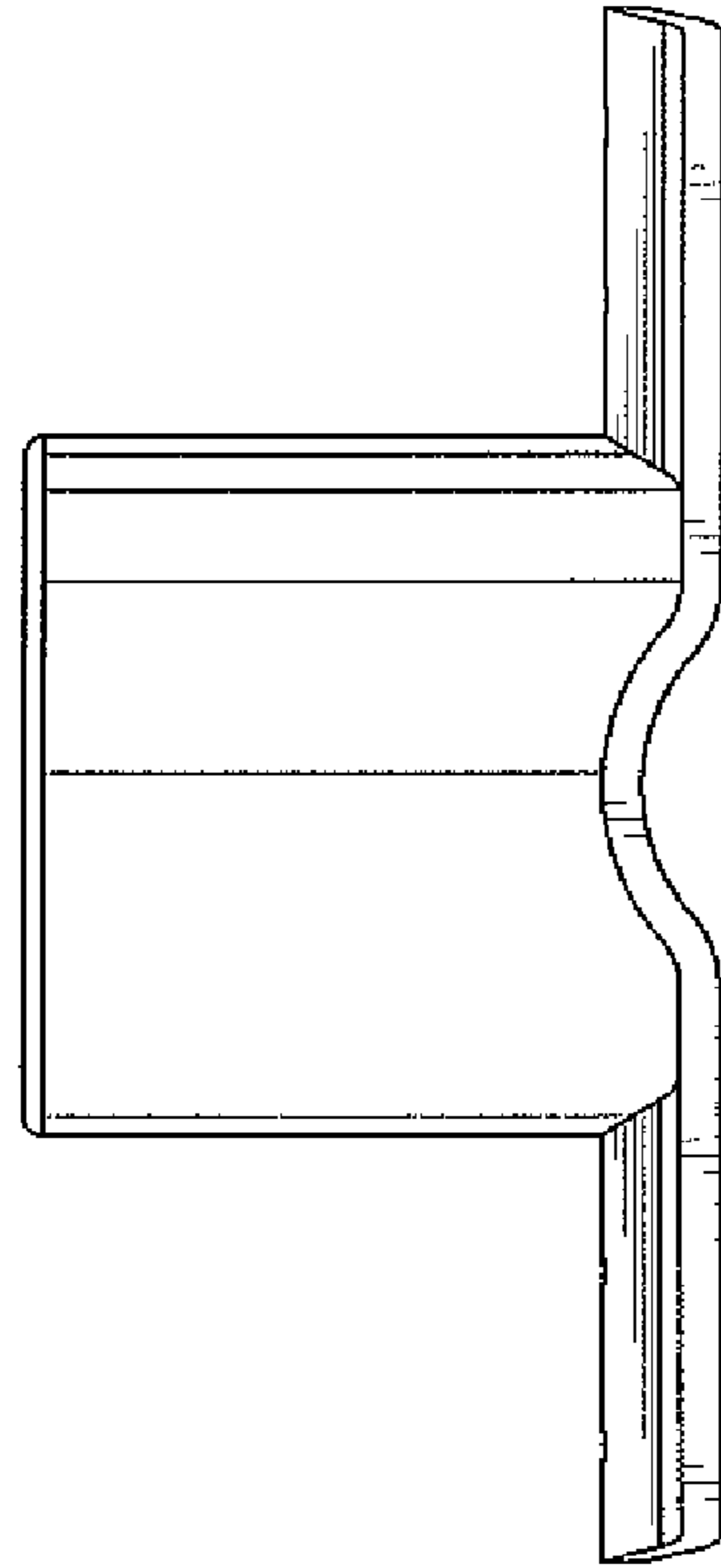


Fig. 2

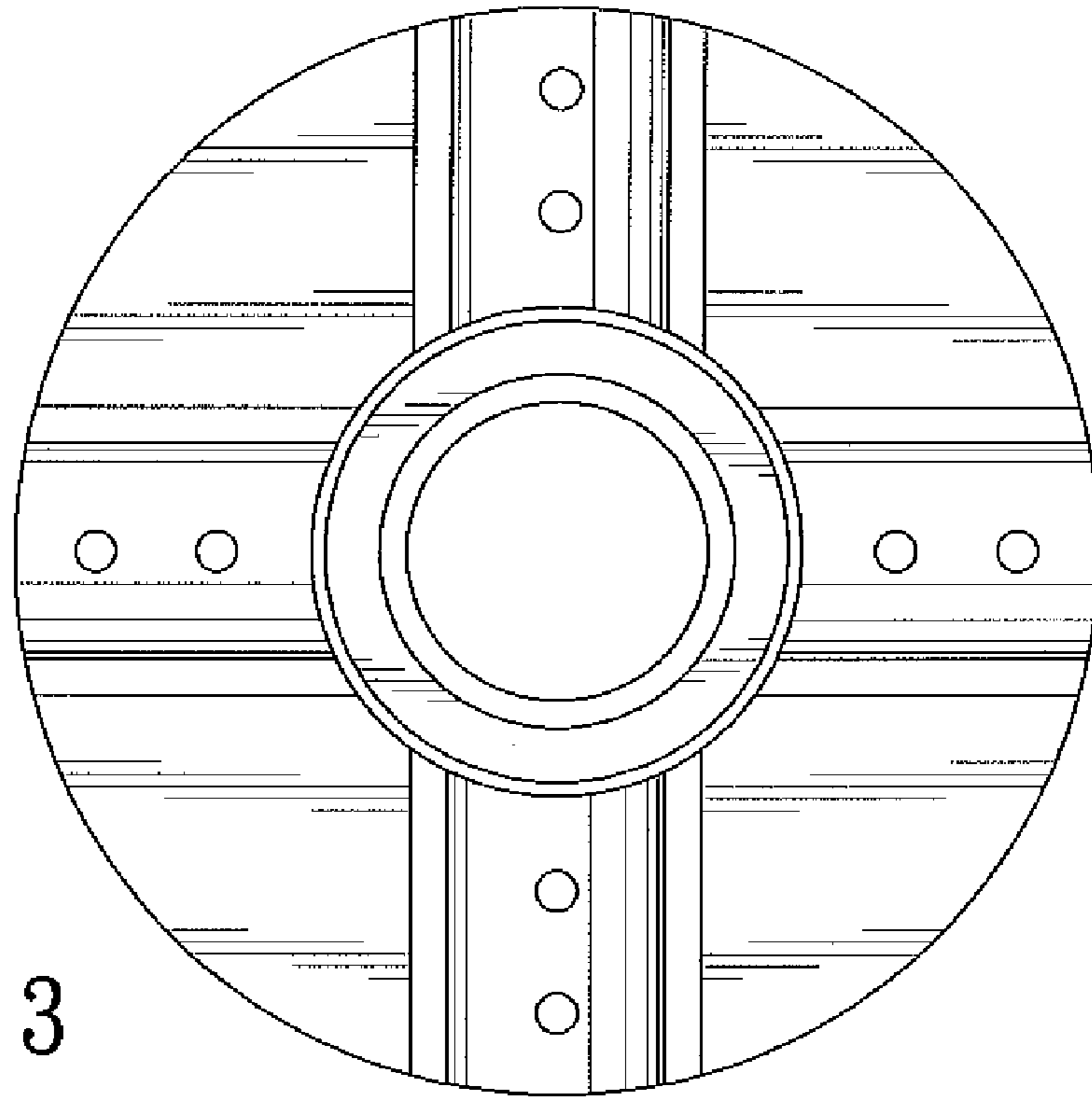


Fig. 3

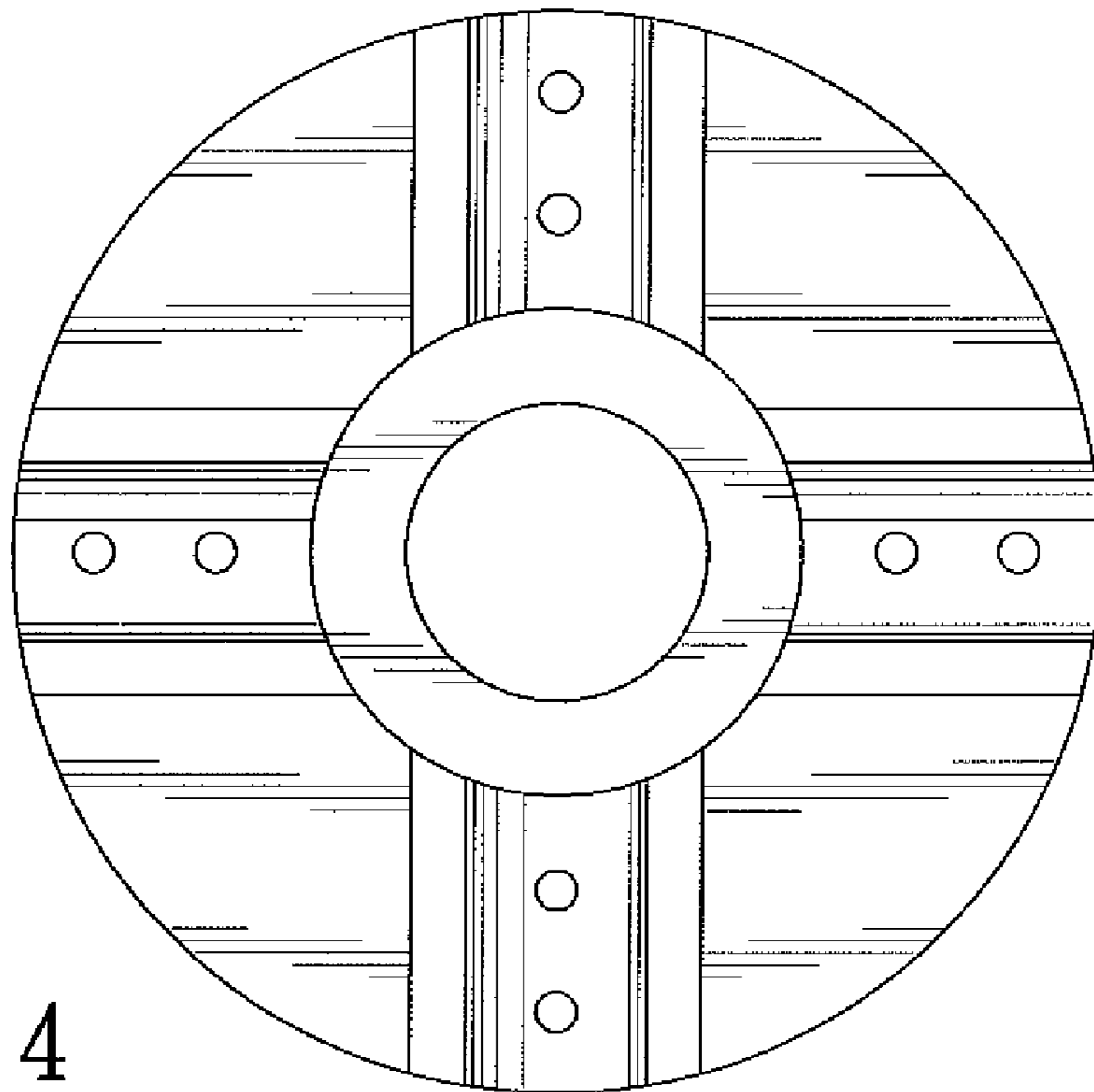


Fig. 4