



US00D572120S

(12) **United States Design Patent**
Concari

(10) **Patent No.:** **US D572,120 S**
(45) **Date of Patent:** **** Jul. 1, 2008**

(54) **MOUNT**

D548,573 S 8/2007 Bascom et al.

(75) Inventor: **Gabriel E. Concari**, Eldersburg, MD
(US)

FOREIGN PATENT DOCUMENTS

(73) Assignee: **Black & Decker Inc.**, Newark, DE (US)

| | | |
|----|------------|---------|
| DE | M9708372 | 9/1997 |
| DE | MR9804738 | 11/1997 |
| DE | MR49908965 | 9/1999 |
| DE | MR40108278 | 3/2001 |
| DE | 40406171 | 10/2004 |
| DE | 40502303 | 4/2005 |
| WO | DM/013105 | 3/1989 |
| WO | DM/057265 | 9/2001 |
| WO | DM/062995 | 11/2002 |

(**) Term: **14 Years**

(21) Appl. No.: **29/288,461**

(22) Filed: **Jun. 12, 2007**

(51) **LOC (8) Cl.** **08-05**

* cited by examiner

(52) **U.S. Cl.** **D8/355**

Primary Examiner—Holly H Baynham

(58) **Field of Classification Search** D8/355,
D8/71; 248/309.1, 205.1, 205.4, 214, 184.1
See application file for complete search history.

(74) *Attorney, Agent, or Firm*—Mehul R. Jani; Adan Ayala

(57) **CLAIM**

(56) **References Cited**

The ornamental design for a mount, as shown and described.

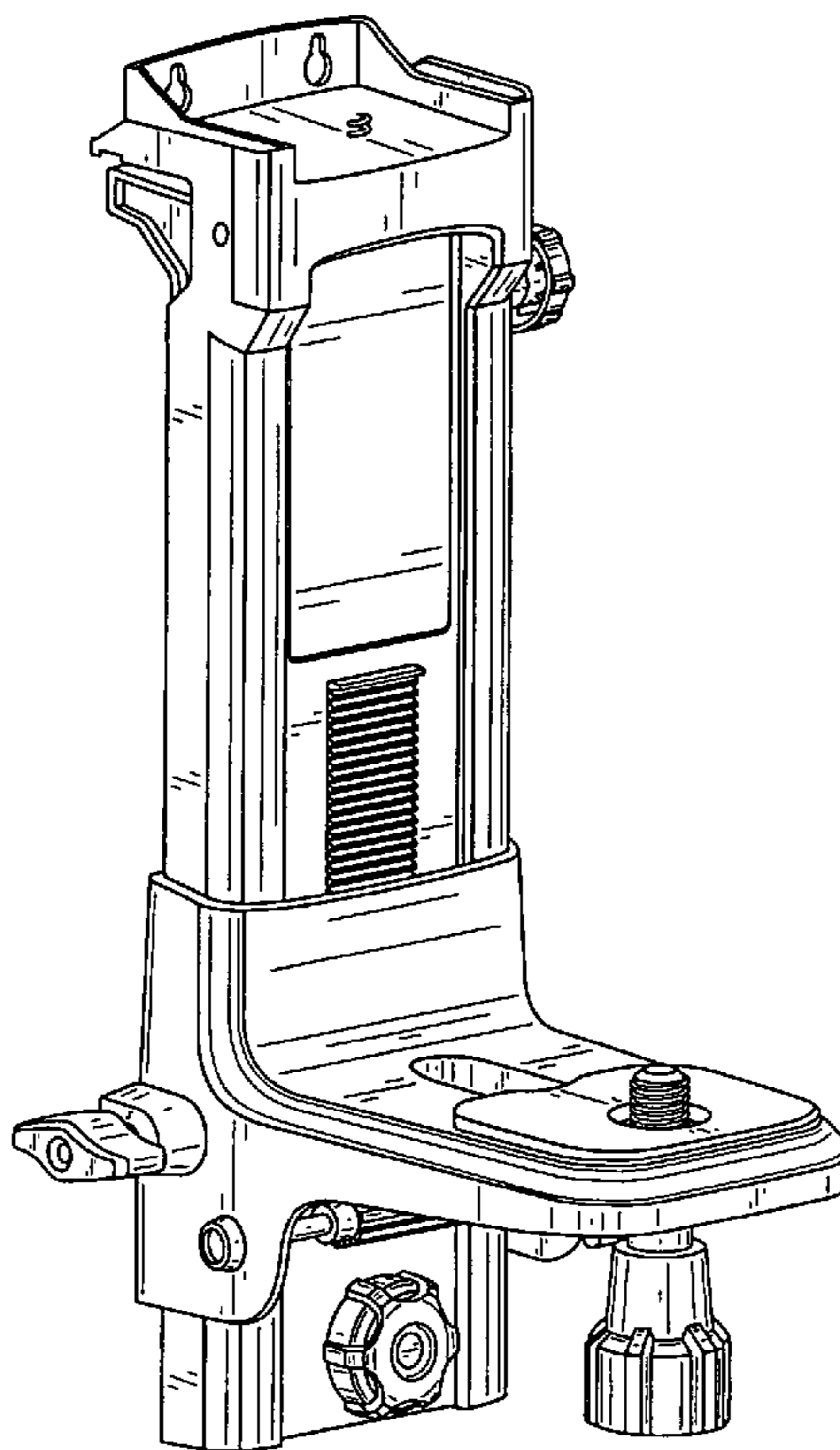
U.S. PATENT DOCUMENTS

DESCRIPTION

| | | | |
|--------------|---------|---------------|--------------|
| D98,683 S | 2/1936 | Langsner | |
| D393,198 S * | 4/1998 | Schmidt | D8/355 |
| D396,817 S | 8/1998 | Webb | |
| D461,135 S | 8/2002 | Watson et al. | |
| D464,250 S * | 10/2002 | Warner et al. | D8/355 |
| D498,687 S | 11/2004 | Lopano | |
| D499,954 S * | 12/2004 | Brushaber | D8/355 |
| D502,446 S | 3/2005 | Wilson et al. | |
| D509,453 S | 9/2005 | Lopano | |
| D509,761 S | 9/2005 | Kallabis | |
| D526,587 S | 8/2006 | Lopano | |
| D528,022 S | 9/2006 | Kallabis | |
| D533,093 S | 12/2006 | Reznor | |

FIG. 1 is a perspective view of a mount.
FIG. 2 is a front view thereof.
FIG. 3 is a rear view thereof.
FIG. 4 is a left side view thereof.
FIG. 5 is a right side view thereof.
FIG. 6 is top view thereof; and,
FIG. 7 is a bottom view thereof.

1 Claim, 7 Drawing Sheets



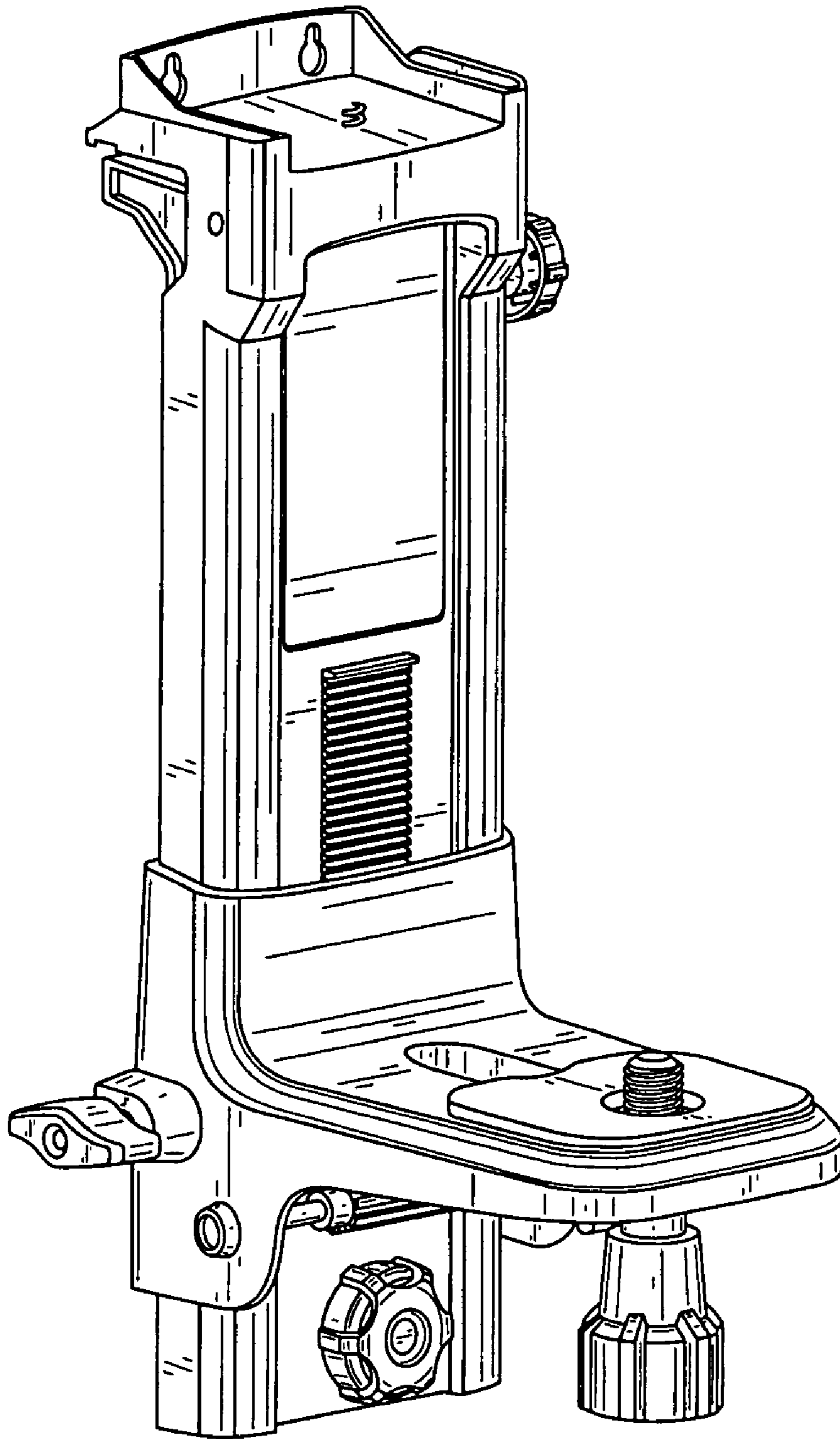


FIG. 1

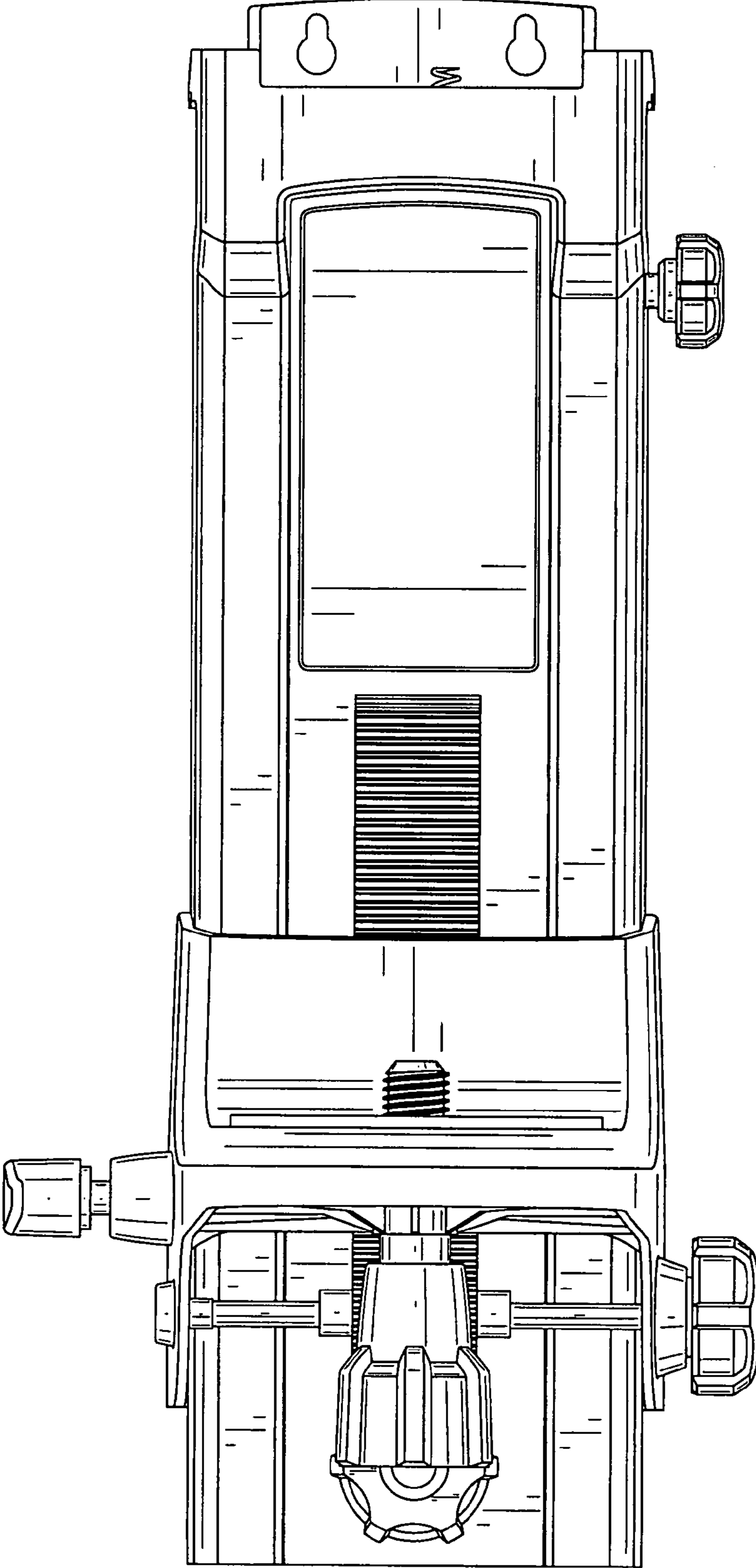


FIG. 2

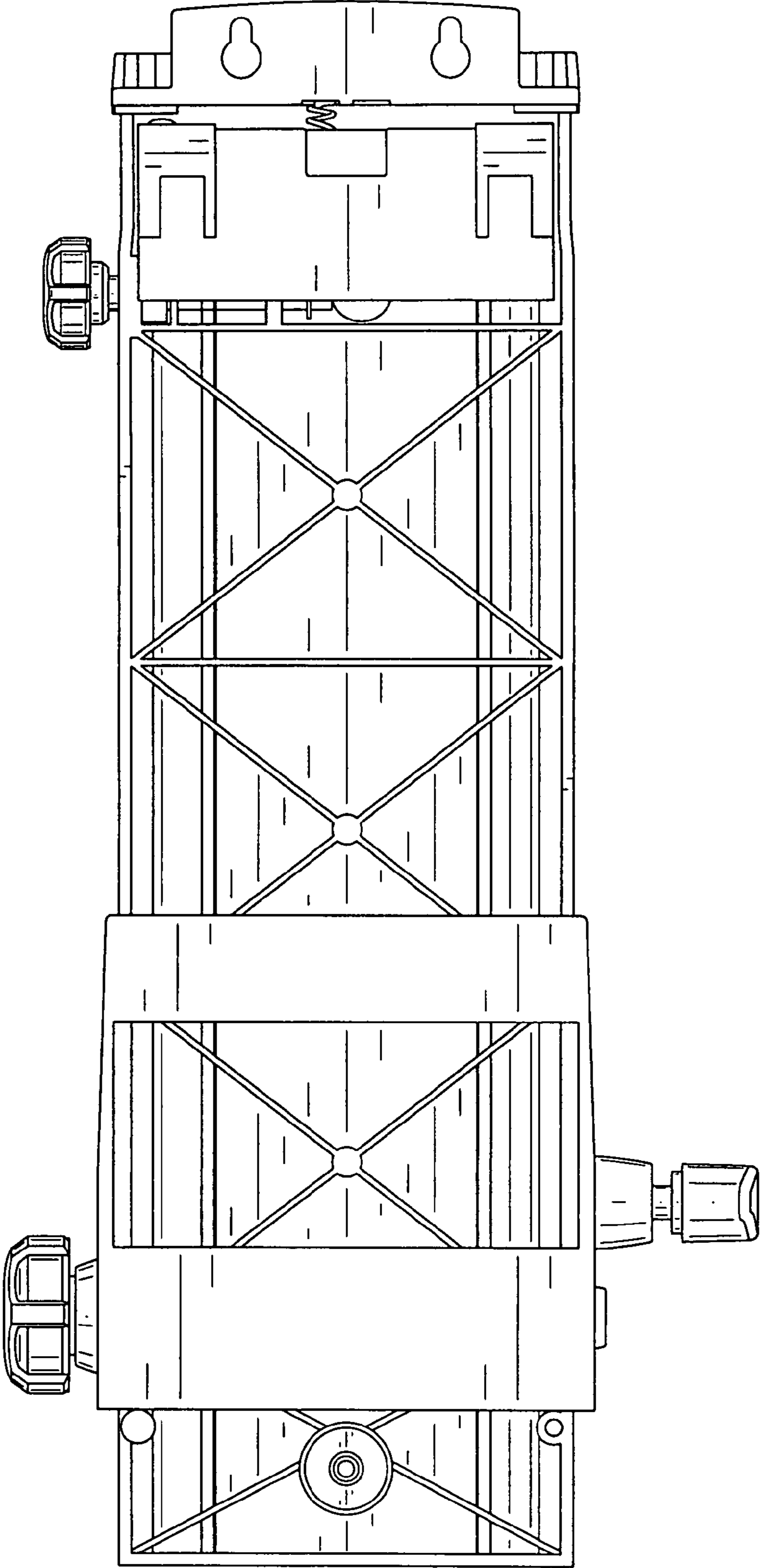


FIG. 3

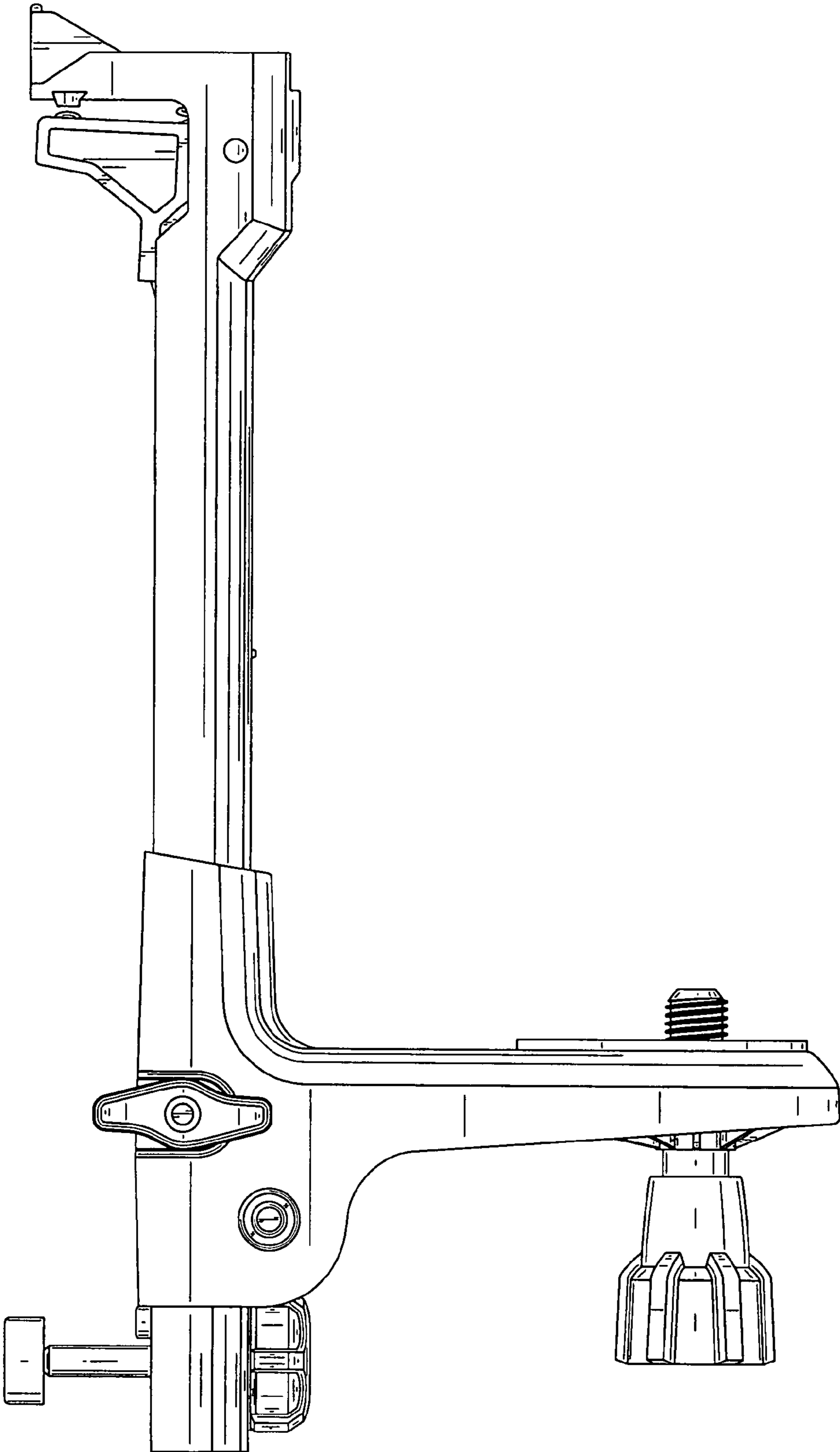


FIG. 4

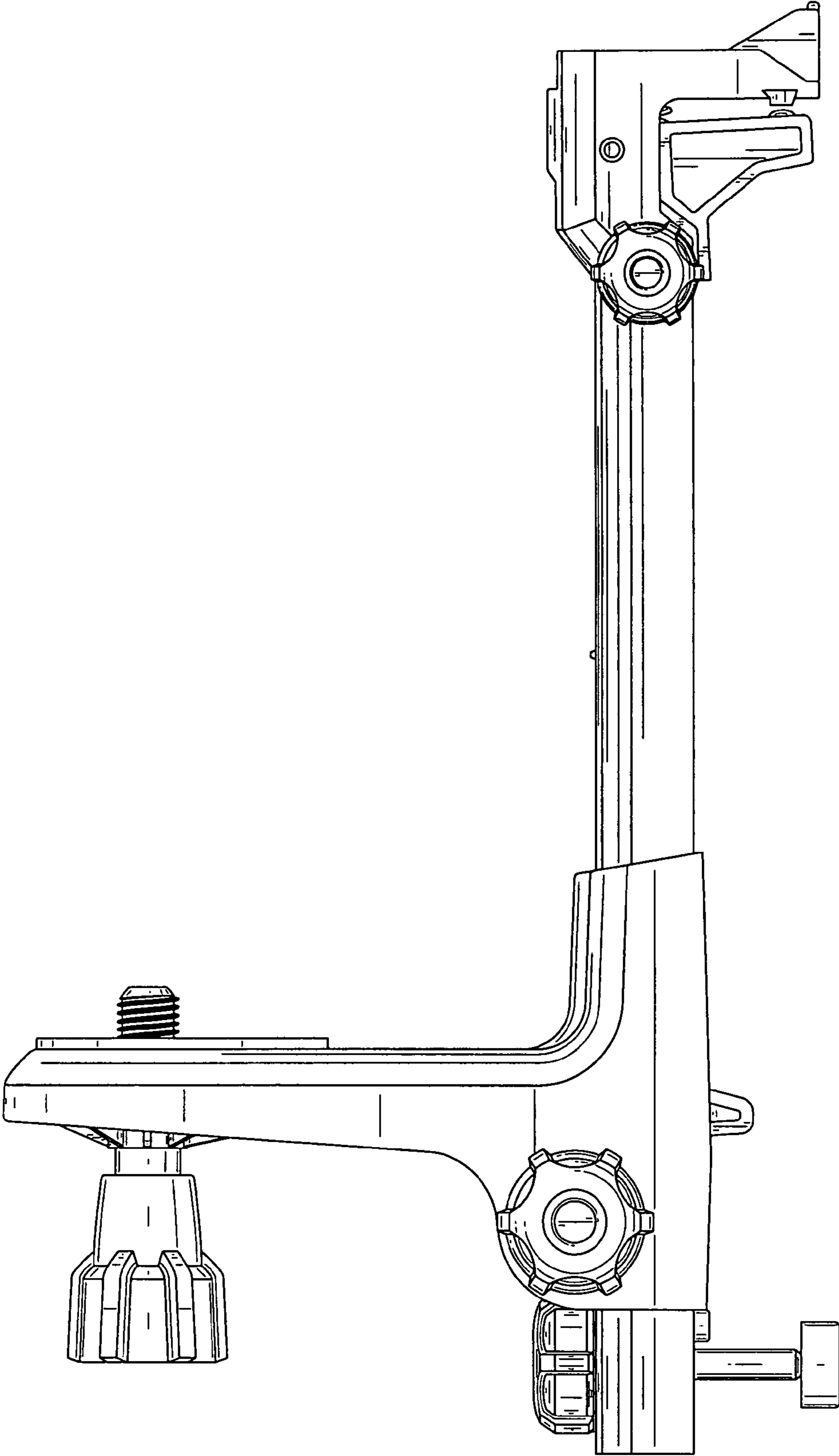


FIG. 5

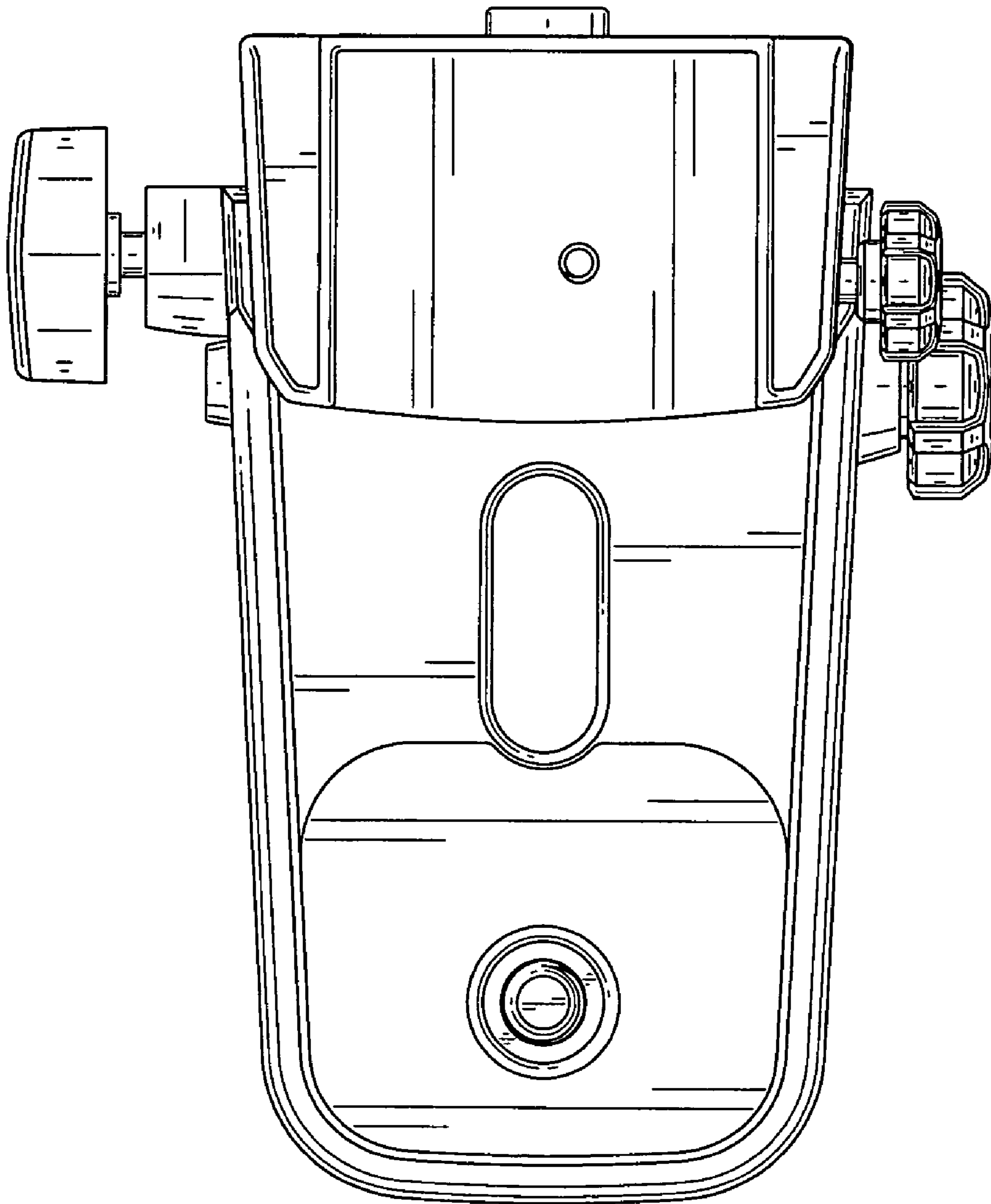


FIG. 6

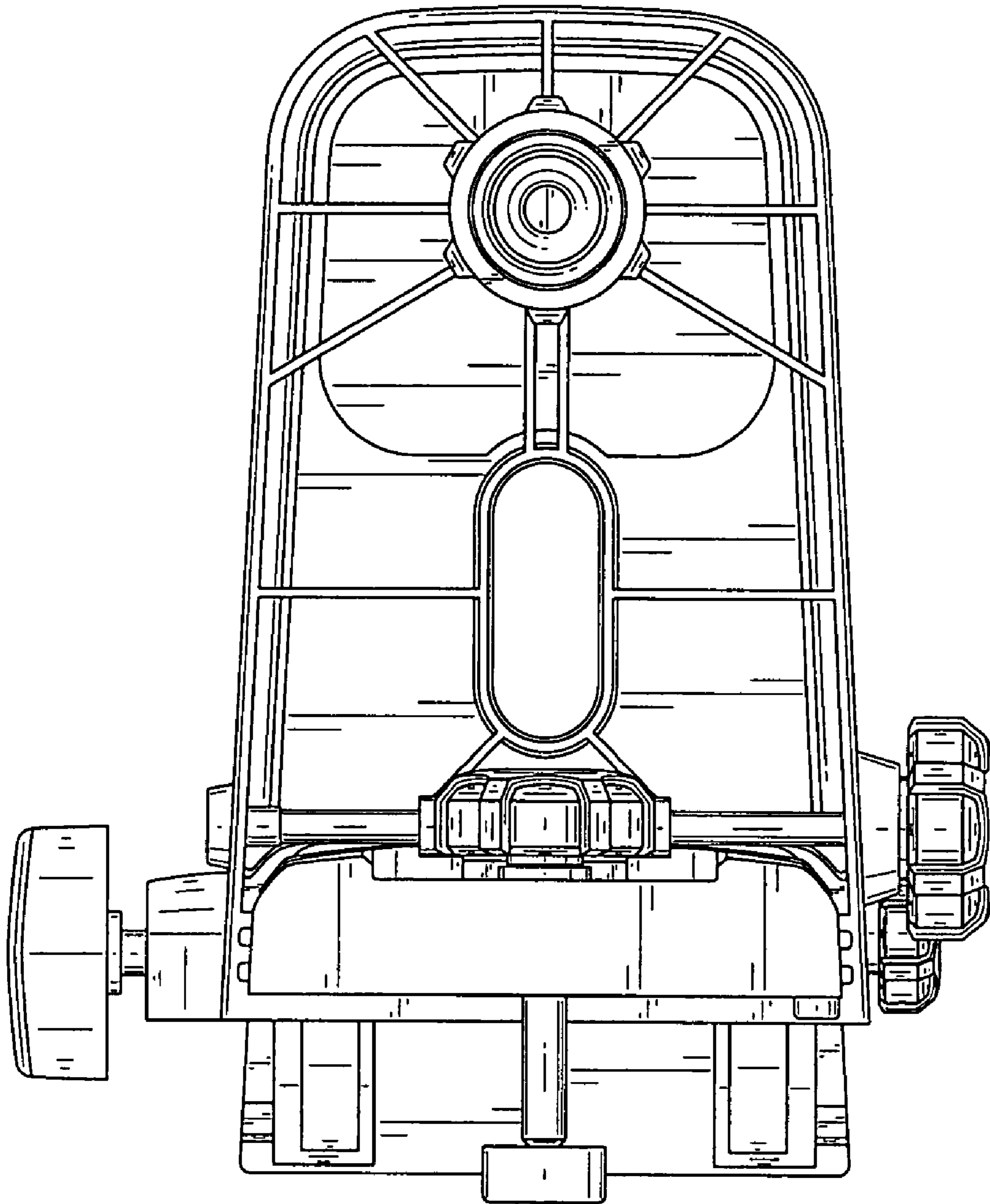


FIG. 7